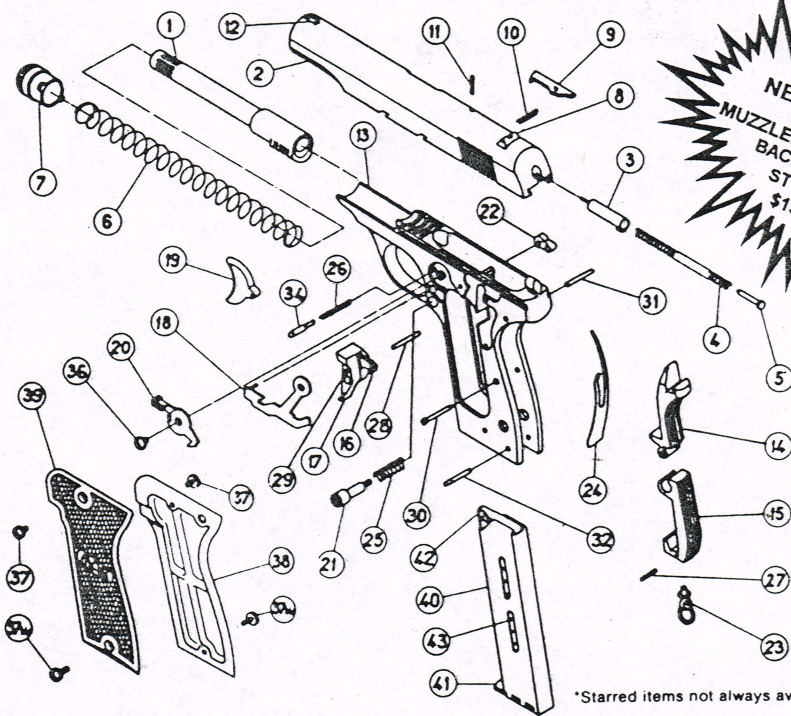


MAB Model D Pistol .32 ACP, .380 ACP



NEW!
MUZZLEBUSHING
BACK IN
STOCK
\$19.95

7.	Muzzle Bushing	19.95
8.	Rear Sight	4.95
9.	Extractor	9.50*
10.	Extractor Spring	1.45*
11.	Extractor Pin	1.10
12.	Front Sight	*
13.	Frame	*
14A	Grip safety (block at top — illustrated)	15.50
14B	Grip safety (post at top — not illustrated)	15.50
15A	Lower backstrap w/lanyard hole	9.25
15B	Lower backstrap w/o lanyard hole	9.25
16 & 17	Tumbler complete (consists of sear and magazine safety) 2 styles available — pins thru frame or rides on post in frame (specify) ...	16.50
18.	Connector	14.50
19.	Trigger	8.95
20.	Safety Catch	14.50
21.	Magazine Release Button	5.95
22.	Magazine Release Catch	12.00
23.	Lanyard Loop	*
24.	Mechanism Spring	9.95
25.	Magazine Release Spring	1.45
26&34	Safety Spring & Plunger	2.25
27.	Lanyard Loop Pin	*
28.	Sear Pin	1.25*
29.	Magazine Safety Pin	1.25*
30.	Takedown Pin	1.25*
31.	Grip Safety Stud	*
32.	Grip Safety Pin	1.25*
34.	Safety Plunger	*
36.	Safety Screw	2.25
37.	Grip Screws	1.50 EA*
38.	Grip, right	[18.95/pr.
39.	Grip, left	
40.	Magazine .32 cal (T377)	SALE 18.00
	Magazine .380 cal (T597)	25.00

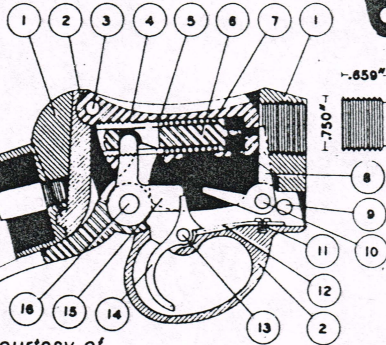
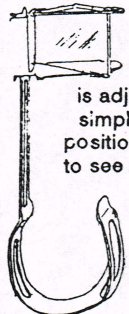
*Starred items not always available.

Part#	Description	Price
1A	Barrel with .120 index point .32 Cal.....	42.50
1B	Barrel with .220 index point .32 Cal.....	42.50
1C	Barrel with .120 index point (380 cal.)	54.95*
2.	Slide (spec. indexing pt. size, .32	39.95
3.	Firing Pin	19.95
4.	Firing Pin Spring	3.30
5.	Firing Pin Spring Guide	1.50
6.	Recoil Spring	4.95

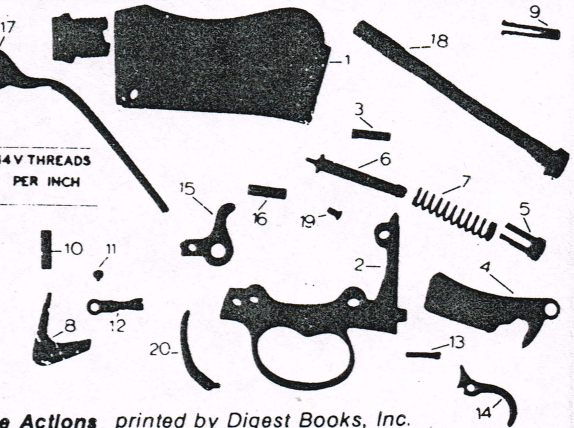
GUN PARTS CORPORATION

Martini .310 Cadet (Small Frame)

MARTINI SIGHT CORRECTORS
 Used as a training tool on the .310 Martini so the instructor could correct the trainees sighting. These are a must for the collector or Martini owner. Reflector is adjustable for height and simply slips over forend into position enabling the instructor to see the same sight picture as the shooter. Condition is very good - new. Quantities are limited.
\$9.95



Courtesy of Frank DeHaas from his Single Shot Rifle Actions printed by Digest Books, Inc.



MC 1	Receiver	N/A	MC 22	Buttplate	9.95
MC 2	Trig Guard (inner Frame)	*	MC 23	B.P. Screw	(2 req'd) e.p. 1.50
MC 3	Breech Block Pin	*	MC 24	BSA adjustable rear sight, complete less base.....	22.50
MC 4	Breech Block	*	MC 25	Finger Lever Escutcheon	2.50
MC 5	Main Spring Ret. Sleeve	*	MC 26	Upper Band	4.75
MC 6A	Striker (firing pin), C.F.....	10.00	MC 27	Upper Band Pin	1.25
MC 6B	Striker (firing pin, R.F., 22	13.95	MC 28	Sling Swivel, 1/8"	2.25
MC 7	Mainspring	3.75	MC 25A	Sling swivel, 1-1/4"	2.50
MC 8	Extractor	16.50*	MC 29	Sling Swivel Screw	1.75
MC 9	Trigger Guard pin	3.50	MC 30	Nose Cap	4.50
MC 10	Extractor Pin	1.50*	MC 31	Nose Cap Screw	1.25
MC 11	Trigger Spring Screw	1.25	MC 32	Front Sight	3.50
MC 12	Trigger Spring	2.50	Items 33-36 are for sight with 1.55" high leaf - adjustable for elevation only.		
MC 13	Trigger Screw	1.50	MC 33	Rear Sight Slide	8.50
MC 14	Trigger	9.50*	MC 34	Rear Sight Leaf	4.25*
MC 15	Cocking Lever	8.50	MC 34A	Rear sight leaf cap (part of MC 34)	2.25
MC 16	Finger & Cocking Lever pin	1.50	MC 35	Rear Sight Spr Screw	1.75
MC 17	Finger Lever	*	MC 36	Rear Sight Spring	1.95
MC 18	Stock Bolt	*	MC 37	Sight Cover (front)	1.95
MC 19	Main Spring Ret. Sleeve Lock screw	*	MC 39	Forend	11.95
MC 20	Cocking Indicator Lever	*	MC 40	Buttstock	29.95*
Following Items Not Illustrated			MC 41	Barrel .310 w/sight	*
MC 21	Stock Bolt Washer, .085 thick	1.25	*Starred items not always available.		
MC 21A	Stock bolt washer, .175" thick	1.50			