



278 Pgs + 1 f/o

YFZ350

Service Manual



LIT-11616-YF-36

YAMAHA

YFZ350J/K

**SUPPLEMENTARY
SERVICE MANUAL**

FOREWORD

This Supplementary Service Manual has been prepared to introduce new service and data for the YFZ350J/K. For complete information on service procedures, it is necessary to use this Supplementary Service Manual together with following manual:

YFZ350T '86 SERVICE MANUAL: 2GU-10
YFZ350A '89 SUPPLEMENTARY SERVICE MANUAL: 3GG-10
YFZ350B '90 SUPPLEMENTARY SERVICE MANUAL: 3GG-11

YFZ350J/K
SUPPLEMENTARY SERVICE MANUAL
©1997 by Yamaha Motor Corporation, U.S.A.
1st Edition, April 1997 All rights reserved.
Any reprinting or unauthorized use without
the written permission of
Yamaha Motor Corporation, U.S.A.
is expressly prohibited.
Printed in U.S.A.
LIT-11616-10-95

NOTICE

This manual was produced by the Yamaha Motor Company primarily for use by Yamaha dealers and their qualified mechanics. It is not possible to include all the knowledge of a mechanic in one manual, so it is assumed that anyone who uses this book to perform maintenance and repairs on Yamaha machines has a basic understanding of the mechanical ideas and the procedures of machine repair. Repairs attempted by anyone without this knowledge are likely to render the machine unsafe and unfit for use.

Yamaha Motor Company, Ltd. is continually striving to improve all its models. Modifications and significant changes in specifications or procedures will be forwarded to all authorized Yamaha dealers and will appear in future editions of this manual where applicable.

NOTE:

Designs and specifications are subject to change without notice.

IMPORTANT INFORMATION

Particularly important information is distinguished in this manual by the following notations.



The Safety Alert Symbol means ATTENTION! BECOME ALERT! YOUR SAFETY IS INVOLVED!

WARNING

Failure to follow WARNING instructions could result in severe injury or death to the machine operator, a bystander or a person inspecting or repairing the machine.

CAUTION:

A CAUTION indicates special precautions that must be taken to avoid damage to the machine.

NOTE:

A NOTE provides key information to make procedures easier or clearer.

HOW TO USE THIS MANUAL

CONSTRUCTION OF THIS MANUAL

This manual consists of chapters for the main categories of subjects. (See "Illustrated symbols")

- 1st title ① : This is a chapter with its symbol on the upper right of each page.
- 2nd title ② : This title appears on the upper of each page on the left of the chapter symbol. (For the chapter "Periodic inspection and adjustment "the 3rd title appears.)
- 3rd title ③ : This is a final title.

MANUAL FORMAT

All of the procedures in this manual are organized in a sequential, step-by-step format. The information has been compiled to provide the mechanic with an easy to read, handy reference that contains comprehensive explanations of all disassembly , repair, assembly and inspections.

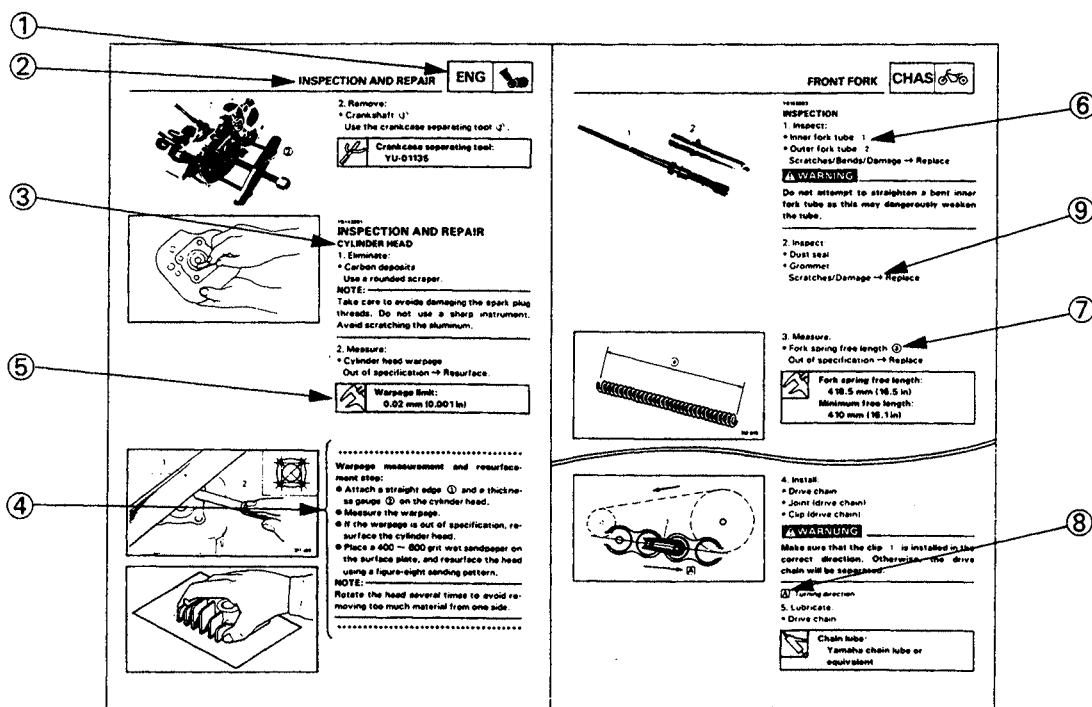
A set of particularly important procedure (④) is placed between a line of asterisks (*); with each procedure preceded by (●) .









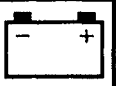














IMPORTANT FEATURES

- Data and a special tool are framed in a box preceded by a relevant symbol (⑤).
- An encircled numeral (⑥) indicates a part name, and an encircled alphabetical letter data or an alignment mark (⑦), the others being indicated by an alphabetical letter in a box (⑧).
- A condition of a faulty component will precede an arrow symbol and course of action required the symbol (⑨).

EXPLODED DIAGRAM

Each chapter provides exploded diagrams before each disassembly section for ease in identifying correct disassembly and assembly procedures.



① GEN INFO 	② SPEC 
③ INSP ADJ 	④ ENG 
⑤ COOL 	⑥ CARB 
⑦ DRIV 	⑧ CHAS 
⑨ ELEC 	⑩ TRBL SHTG ?
⑪ 	⑫ 
⑬ 	⑭ 
⑮ 	⑯ 
⑰ 	⑱ 
	⑲ 
	⑲ 
⑳ 	㉑ 
	㉒ 
㉓ 	㉔ New

EB003000

ILLUSTRATED SYMBOLS

Illustrated symbols ① to ⑨ are designed as thumb tabs to indicate the chapter's number and content.

- ① General information
- ② Specifications
- ③ Periodic inspection and adjustment
- ④ Engine
- ⑤ Cooling system
- ⑥ Carburetion
- ⑦ Drive train
- ⑧ Chassis
- ⑨ Electrical
- ⑩ Troubleshooting

Illustrated symbols ⑪ to ⑰ are used to identify the specifications appearing in the text.

- ⑪ Filling fluid
- ⑫ Lubricant
- ⑬ Special tool
- ⑭ Tightening
- ⑮ Wear limit, clearance
- ⑯ Engine speed
- ⑰ Ω , V, A

Illustrated symbols ⑱ to ㉓ in the exploded diagrams indicate the types of lubricants and lubrication points.

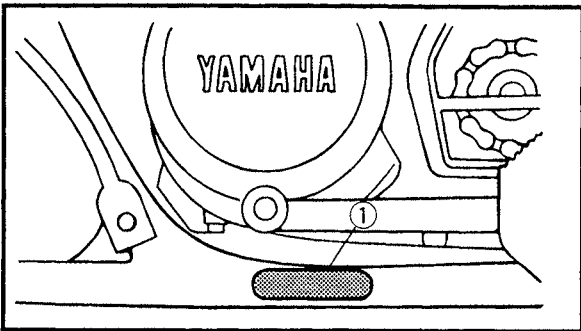
- ⑱ Apply engine oil
- ⑲ Apply gear oil
- ㉑ Apply molybdenum disulfide oil
- ㉒ Apply wheel bearing grease
- ㉓ Apply lightweight lithium-soap base grease
- ㉔ Apply molybdenum disulfide grease

Illustrated symbols ㉓ to ㉔ in the exploded diagrams indicate the where to apply locking agent ㉓ and when to install new parts ㉔.

- ㉓ Apply locking agent (LOCTITE®)
- ㉔ Use new one

CONTENTS

GENERAL INFORMATION	1
MACHINE IDENTIFICATION	1
VEHICLE IDENTIFICATION NUMBER.....	1
MODEL LABEL.....	1
SPECIFICATIONS	2
GENERAL SPECIFICATIONS	2
MAINTENANCE SPECIFICATIONS	2
ENGINE.....	2
ELECTRICAL.....	2
CABLE ROUTING	3
PERIODEC INSPECTIONS AND ADJUSTMENTS	7
INTRODUCTION	7
PERIODEC MEINTENANCE/LUBRICATION INTERVALS	7
ELECTRICAL	9
IGNITION SYSTEM	9
CIRCUIT DIAGRAM.....	9
ENGINE REVOLUTION LIMITER SYSTEM.....	10
TROUBLESHOOTING.....	11
YFZ350J/K WIRING DIAGRAM	



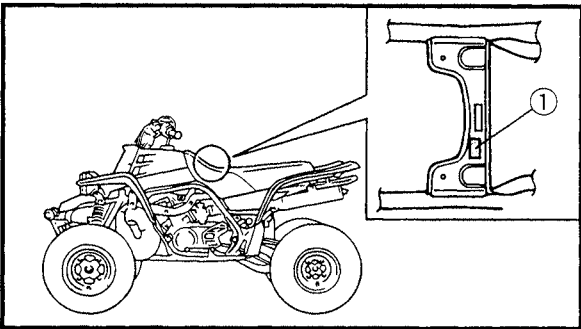
EB100000

**GENERAL INFORMATION
MACHINE IDENTIFICATION
VEHICLE IDENTIFICATION NUMBER**

The vehicle identification number ① is stamped into the left side of the down tube.

NOTE: _____

The vehicle identification number is used to identify your machine.



MODEL LABEL

The model label ① is affixed to the frame under the seat. Record the information on this label in the space provided.

This information will be needed to order spare parts.

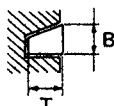
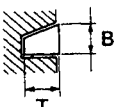


SPECIFICATIONS

GENERAL SPECIFICATIONS

Model	YFZ350J/K
Model code number:	YFZ350J('97): 3GGS (US) 3GGT (F) YFZ350K('98): 3GGW(US) 3GGV(CDN) 3GGX(F)
Basic weight: With oil and full fuel tank	187 kg (412 lb)
Spark plug: Type Manufacturer Gap	B8ES/W24ES NGK/DENSO 0.7~0.8 mm (0.028~0.031 in)

**MAINTENANCE SPECIFICATIONS
ENGINE**

Model	YFZ350J/K
Piston ring: Top ring: Type Dimensions (B x T) End gap (Installed) <Limit> Side clearance (Installed) <Limit> 2nd ring: Type Dimensions (B x T) End gap (Installed) <Limit> Side clearance (Installed) <Limit>	 Keystone 1.2 x 2.6 mm (0.047~0.102 in) 0.6~0.8 mm (0.024~0.031 in) 1.0 mm (0.39 in) 0.02~0.06 mm (0.0008~0.0024 in) 0.12 mm (0.0047 in)
 Keystone 1.5 x 2.5 mm (0.059~0.098 in) 0.6~0.8 mm (0.024~0.031 in) 1.0 mm (0.39 in) 0.02~0.06 mm (0.0008~0.0024 in) 0.12 mm (0.0047 in)	
Carburetor: Float height (F.H.)	20.5~21.5 mm (0.807~0.845 in)

ELECTRICAL

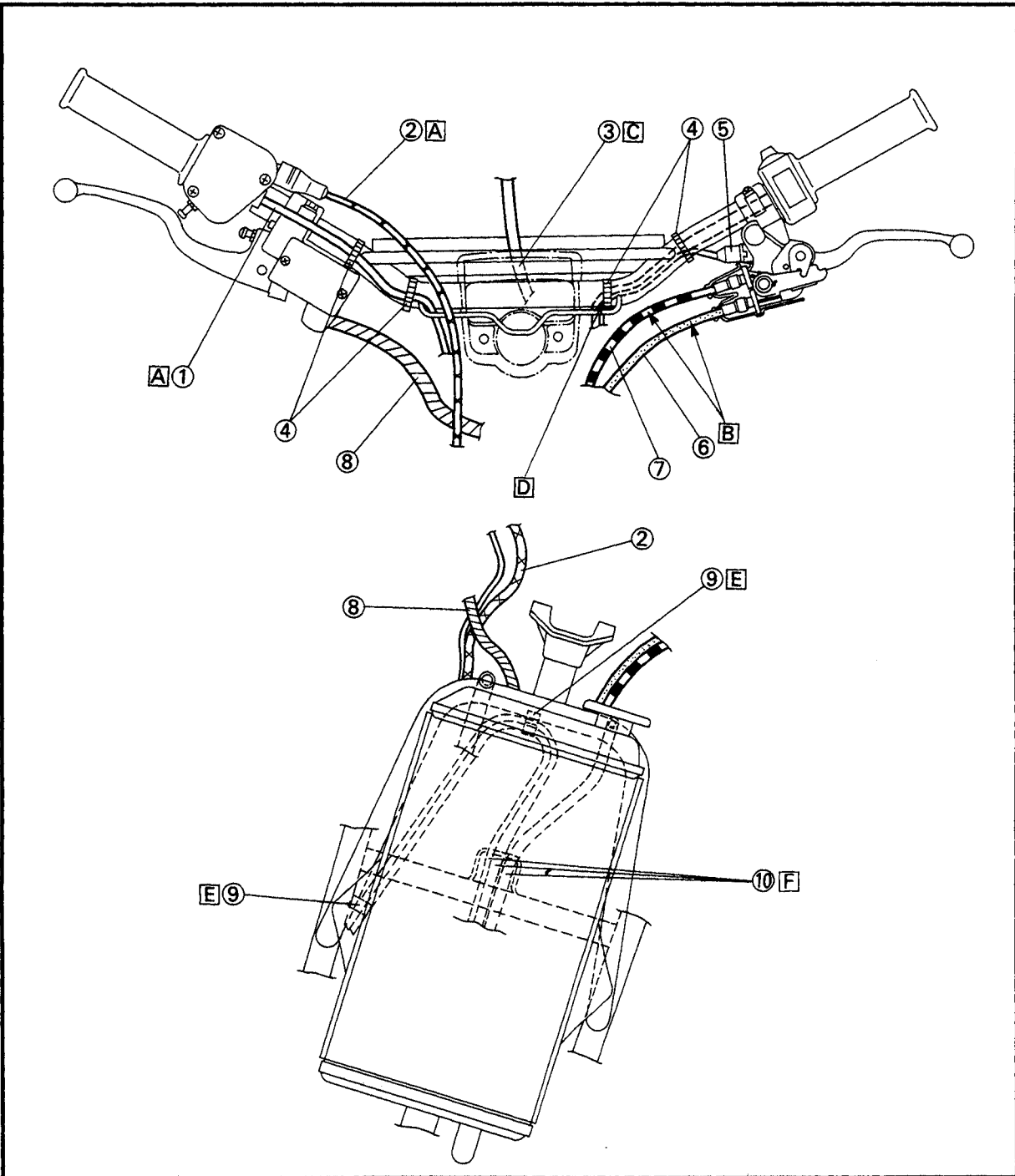
Model	YFZ350J/K
C.D.I.: Magneto model/Manufacturer C.D.I. unit model/Manufacturer	VCE33/DENSO 3GG-10/DENSO
Ignition coil: Model/Manufacturer	JO146/DENSO
Flywheel magneto: Model/Manufacturer	VCE33/DENSO



CABLE ROUTING

- ① Throttle switch lead
- ② Throttle cable
- ③ Fuel tank breather hose
- ④ Band
- ⑤ Parking brake switch
- ⑥ Parking brake cable
- ⑦ Clutch cable
- ⑧ Front brake hose
- ⑨ Clamp
- ⑩ Breather hose

- A Pass the cable in front of the front brake hose.
- B Pass the cables behind the front brake hose.
- C Pass the hose through the handle protector hole
- D Pass the hose and lead in front of the cable guide. Pass the handbar switch lead and parking switch lead behind the cable guide.
- E Clamp the hoses.
- F Pass the hoses through the hose guide.



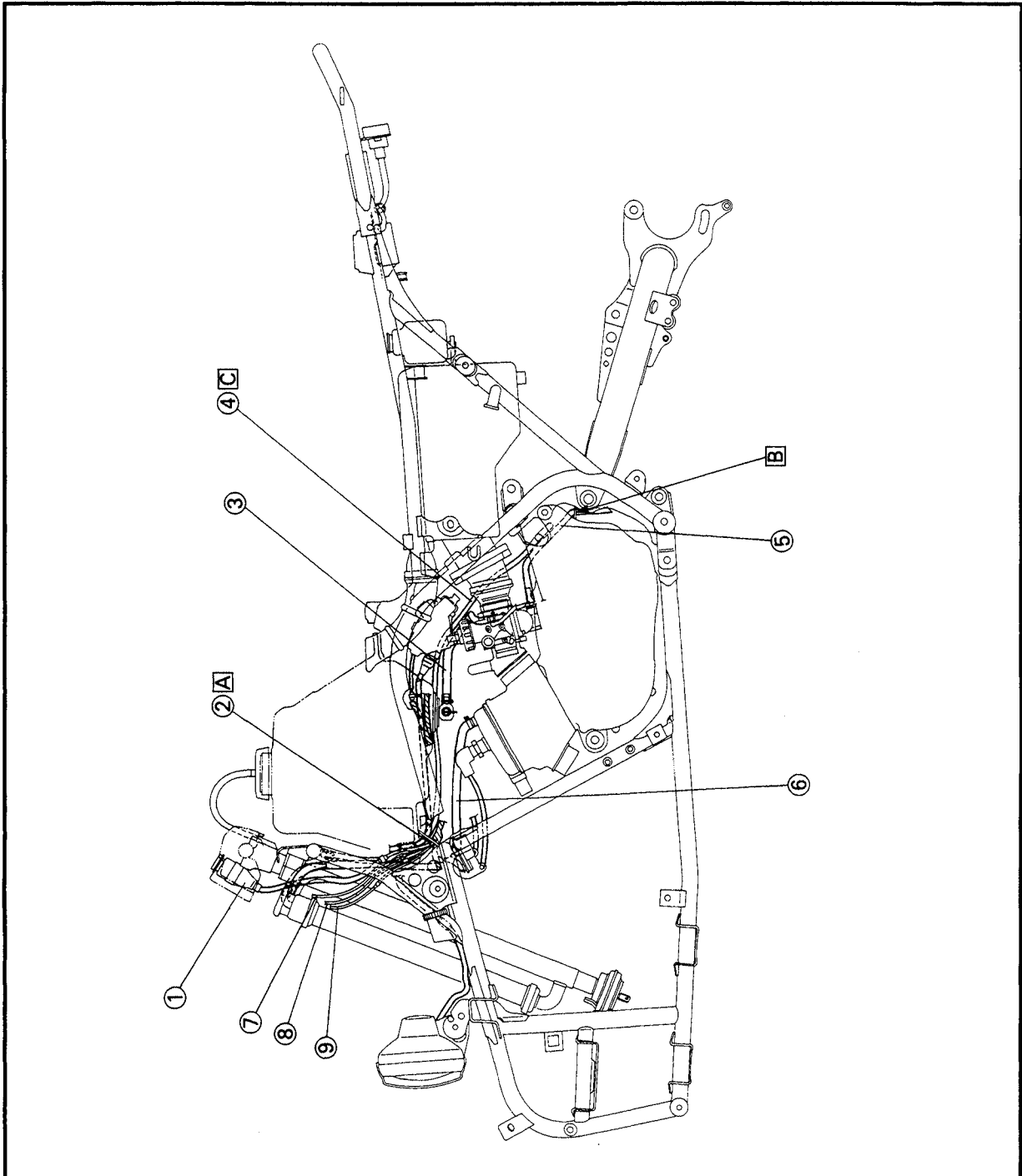
CABLE ROUTING

SPEC



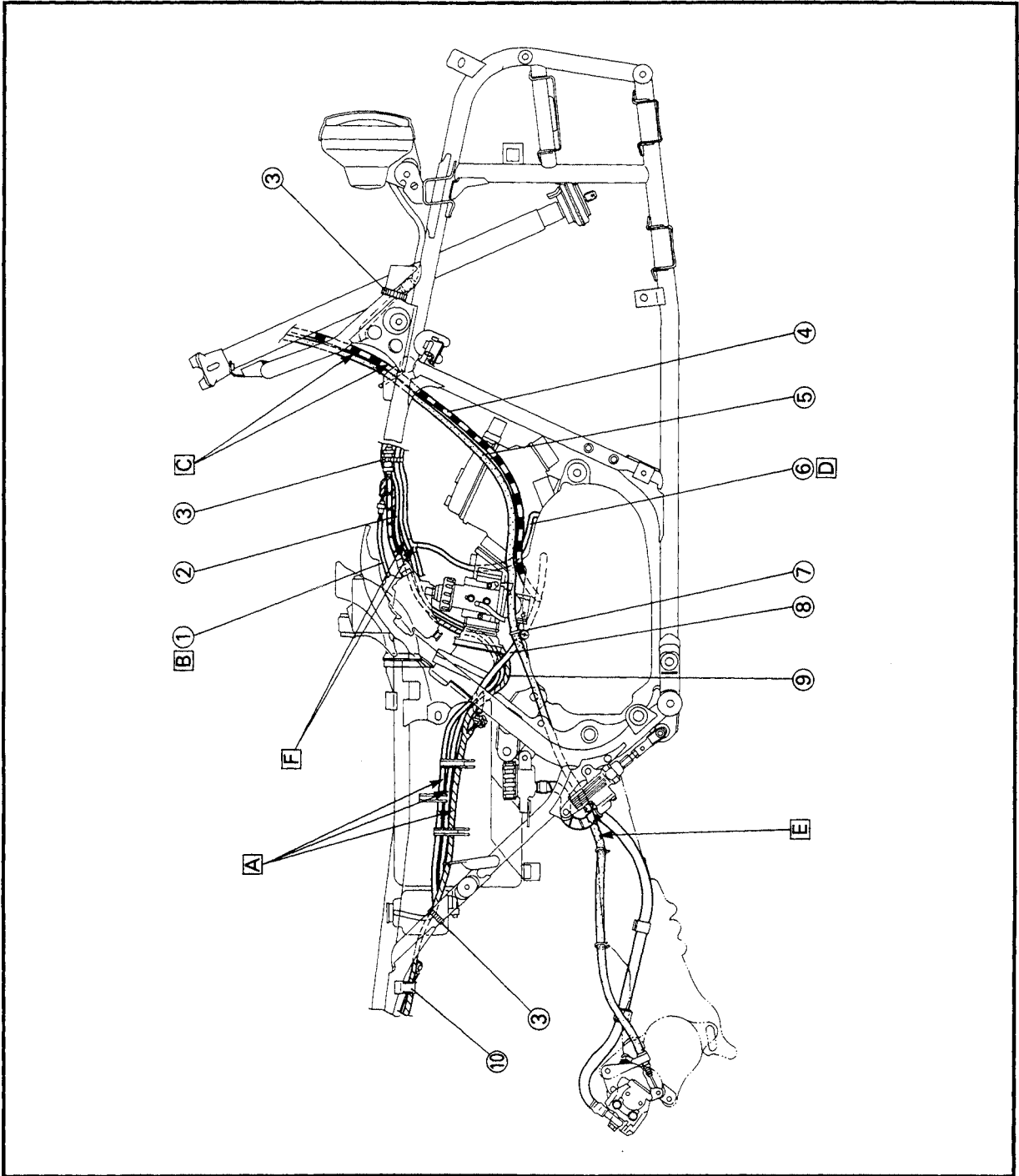
- ① Main switch
- ② Wireharness
- ③ Fuel hose
- ④ Crankcase breather hose
- ⑤ Carburetor over flow hose
- ⑥ Radiator hose
- ⑦ Throttle switch lead
- ⑧ Engine stop switch lead
- ⑨ Handle switch lead

- A Pass the wireharness into the guide. Align the marking tape at the guide.
- B Pass the hose into the guide.
- C Do not pass the hose into the guide. Pass the hose behind the brake hose.



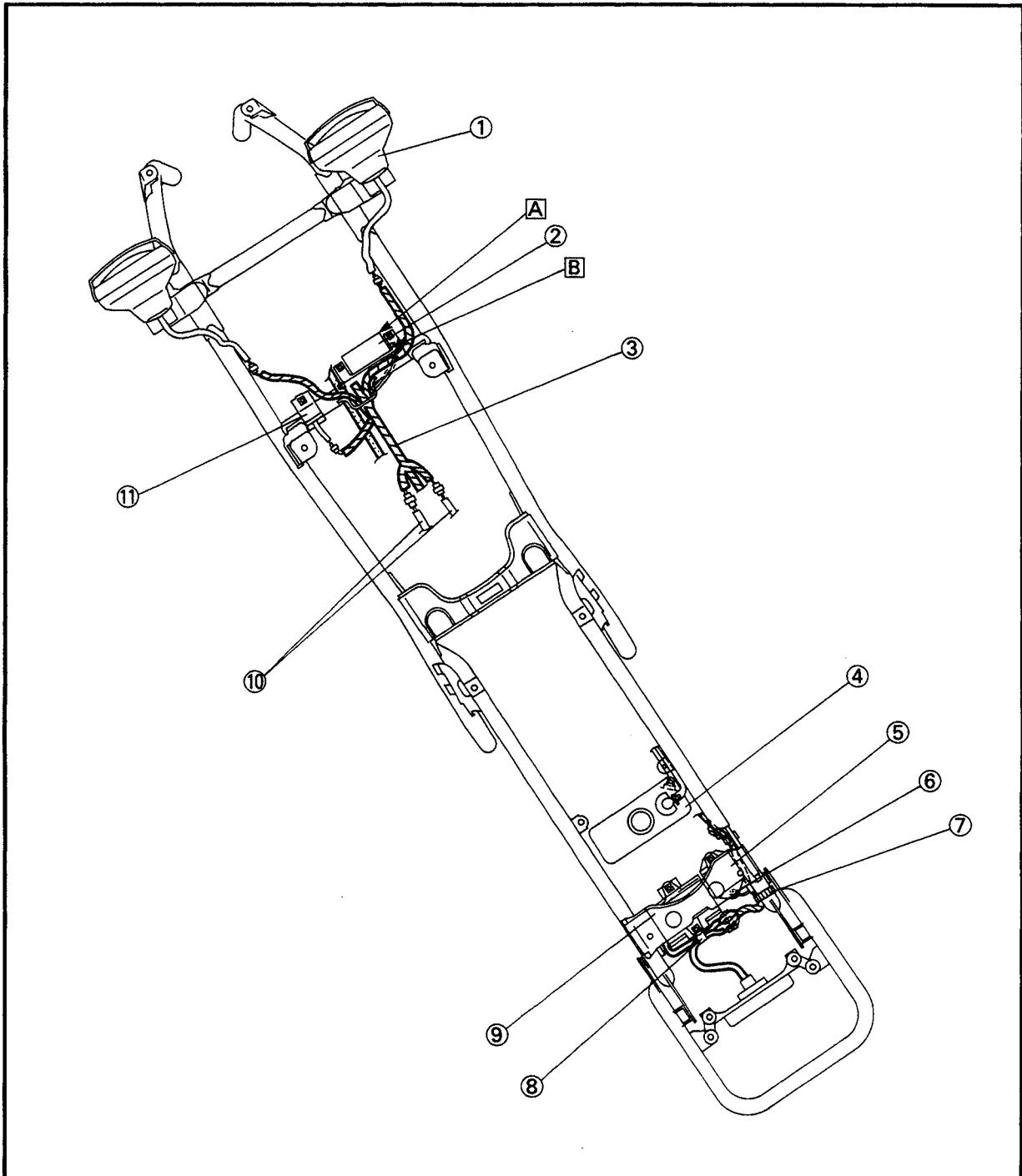
- ① Carburetor switch lead
- ② Throttle cable
- ③ Band
- ④ Clutch cable
- ⑤ Parking brake cable
- ⑥ Breather hose
- ⑦ Cable guide
- ⑧ C.D.I. magneto lead
- ⑨ Wireharness
- ⑩ Clamp

- A Pass the wireharness and hoses through the guide on the air cleaner.
- B Pass the lead above the hoses and cables.
- C Pass the cable through the guide.
- D Route the hose behind the clutch and parking cable. Pass the hose between both carburetor joint.
- E Route the cable behind the rear brake hose.
- F Pass the hoses inside the wireharness.



- ① Headlight
- ② Ignition coil
- ③ Wireharness
- ④ Reservoir tank
- ⑤ Voltage regulator
- ⑥ Body earth
- ⑦ Band
- ⑧ Clamp
- ⑨ C.D.I. unit
- ⑩ Carburetor switch lead
- ⑪ T.O.R.S. control unit

- Ⓐ Ignition coil lead (Orange)
- Ⓑ Ignition coil lead (Black)



EB300000

PERIODIC INSPECTIONS AND ADJUSTMENTS

INTRODUCTION

This chapter includes all information necessary to perform recommended inspections and adjustments. These preventive maintenance procedures, if followed, will ensure more reliable vehicle operation and a longer service life. The need for costly overhaul work will be greatly reduced. This information applies to vehicles already in service as well as to new vehicles that are being prepared for sale. All service technicians should be familiar with this entire chapter.

YF301000

PERIODIC MAINTENANCE/LUBRICATION INTERVALS

ITEM	ROUTINE	INITIAL			EVERY	
		1 month	3 months	6 months	6 months	1 year
Transmission	Replace oil	<input type="checkbox"/>		<input type="checkbox"/>	<input type="checkbox"/>	<input type="checkbox"/>
Cooling system	Check coolant leakage. Repair if necessary Replace coolant every 24 months.	<input type="checkbox"/>	<input type="checkbox"/>	<input type="checkbox"/>	<input type="checkbox"/>	<input type="checkbox"/>
Spark plug	Check condition. Clean or replace if necessary.	<input type="checkbox"/>	<input type="checkbox"/>	<input type="checkbox"/>	<input type="checkbox"/>	<input type="checkbox"/>
Air filter	Clean. Replace if necessary.	Every 20~40 hours. (More often in wet or dusty areas)				
Carburetor*	Check idle speed/starter operation. Adjust if necessary.		<input type="checkbox"/>	<input type="checkbox"/>	<input type="checkbox"/>	<input type="checkbox"/>
Fuel line*	Check fuel hose for cracks or damage. Replace if necessary.			<input type="checkbox"/>	<input type="checkbox"/>	<input type="checkbox"/>
Throttle operation	Inspect and adjust free play, if necessary.	<input type="checkbox"/>	<input type="checkbox"/>	<input type="checkbox"/>	<input type="checkbox"/>	<input type="checkbox"/>
Front and rear brake operation*	Check operation/fluid leakage/See NOTE. Correct if necessary.	<input type="checkbox"/>	<input type="checkbox"/>	<input type="checkbox"/>	<input type="checkbox"/>	<input type="checkbox"/>
Front and rear brake pads*	Check pads wear. Replace if necessary.			<input type="checkbox"/>	<input type="checkbox"/>	<input type="checkbox"/>
Clutch*	Inspect free play and operation. Replace if necessary.	<input type="checkbox"/>		<input type="checkbox"/>	<input type="checkbox"/>	<input type="checkbox"/>
Drive chain	Check chain slack/aliment. Adjust if necessary. Clean and lube. Replace if necessary.	<input type="checkbox"/>		<input type="checkbox"/>	<input type="checkbox"/>	<input type="checkbox"/>
Drive chain guard and rollers*	Check wear and replace if necessary.			<input type="checkbox"/>	<input type="checkbox"/>	<input type="checkbox"/>
Steering system*	Inspect free play, clean and lubricate.	<input type="checkbox"/>	<input type="checkbox"/>	<input type="checkbox"/>	<input type="checkbox"/>	<input type="checkbox"/>
Front and rear suspension*	Inspect and lubricate.**	<input type="checkbox"/>	<input type="checkbox"/>	<input type="checkbox"/>	<input type="checkbox"/>	<input type="checkbox"/>
Tires, wheels	Inspect air pressure, wheel runout, and tire wear. Inspect bearings.* Replace bearings if necessary.*	<input type="checkbox"/>	<input type="checkbox"/>	<input type="checkbox"/>	<input type="checkbox"/>	<input type="checkbox"/>
Throttle, control cable	Check routing and connection. Lubricate.	<input type="checkbox"/>	<input type="checkbox"/>	<input type="checkbox"/>	<input type="checkbox"/>	<input type="checkbox"/>
Outside nuts and bolts	Retighten.	<input type="checkbox"/>	<input type="checkbox"/>	<input type="checkbox"/>	<input type="checkbox"/>	<input type="checkbox"/>
Frame	Clean and inspect.		<input type="checkbox"/>	<input type="checkbox"/>	<input type="checkbox"/>	<input type="checkbox"/>
Lighting equipment	Inspect.	<input type="checkbox"/>	<input type="checkbox"/>	<input type="checkbox"/>	<input type="checkbox"/>	<input type="checkbox"/>

*: It is recommended that these items be serviced by a Yamaha dealer.

** : Lithium soap base grease.

PERIODIC MAINTENANCE/LUBRICATION INTERVALS



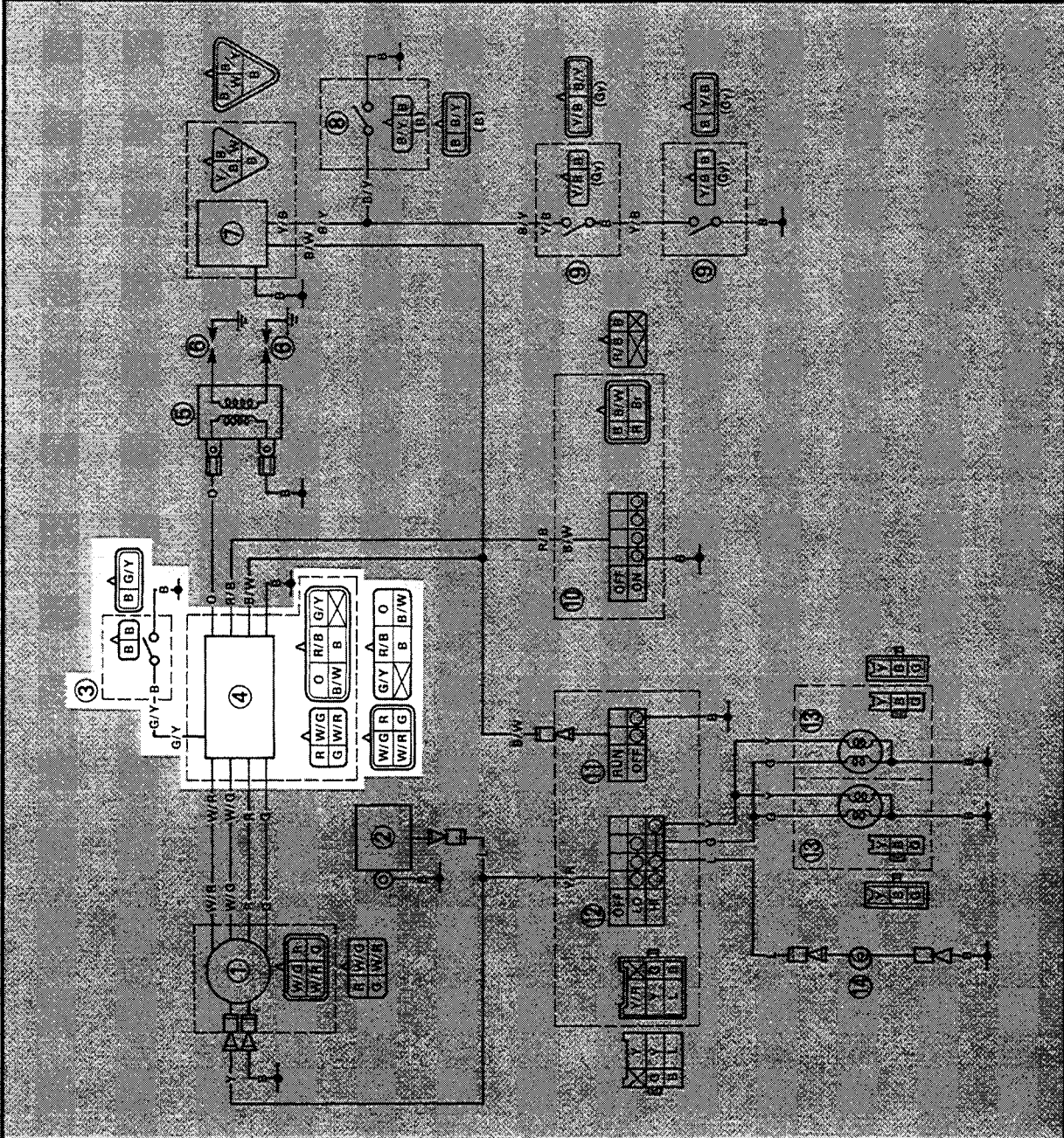
NOTE: _____

Brake fluid replacement:

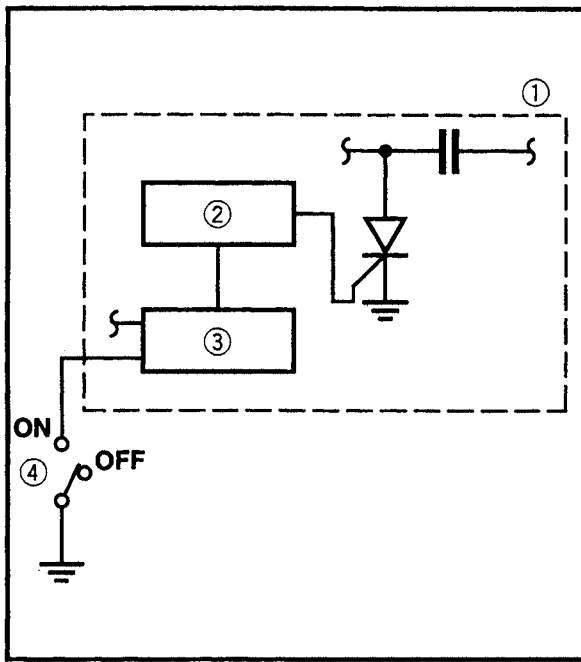
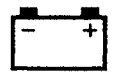
1. When disassembling the master cylinder or caliper cylinder, replace the brake fluid. Normally check the brake fluid level and add the fluid as required.
 2. On the inner parts of the master cylinder and caliper cylinder, replace the oil seals every two years.
 3. Replace the brake hoses every four years, or if cracked or damaged.
-

ELECTRICAL

IGNITION SYSTEM
CIRCUIT DIAGRAM



- ③ Parking switch
- ④ C.D.I. unit



ENGINE REVOLUTION LIMITER SYSTEM

when the parking brake is applied, the engine revolution limiter system becomes activated, thereby letting the rider know that the parking brake is on.

System

A switch is newly provided on the parking brake lever on the left of the handlebar to sense the parking brake condition.

The ignition unit which receives a sensed signal becomes activated as follows according to the parking brake condition.

- Parking brake is released.
(switch OFF) → Ignition occurs normally.
- Parking brake is applied.
(switch ON) → Misfire occurs at 2,300 r/min.
(engine will not rev up beyond 2,300 r/min.)

- ① C.D.I. unit
- ② Ignition timing control circuit
- ③ Engine revolution limiter control circuit
- ④ Parking switch



TROUBLESHOOTING

**IF THE ENGINE REVOLUTION LIMITER SYSTEM FAILS TO OPERATE.
(WHEN THE PARKING BRAKE IS APPLIED, ENGINE WILL REV OVER THE 2,300 r/min.)**

Procedure

Check:

- | | |
|---------------------------|--------------------------|
| 1. Engine misfiring range | 3. Wiring connection |
| 2. Parking switch | (entire ignition system) |

NOTE:

- Remove the following parts before troubleshooting.

1) Seat	3) Rear fender
2) Front fender	
- Use the special tools specified in the trouble shooting section.

Inductive Tachometer
YU-08036

Engine Tachometer
90890-03113

Pocket tester:
YM-03112/90890-03112

1. Engine misfiring range

- Attach the Inductive Tachometer or engine tachometer to the spark plug lead.
- Start the engine, then, shift the gear in neutral position and set the parking brake.
- Check the misfiring nearly 2,300 r/min.

Misfiring engine speed:
nearly 2,300 r/min

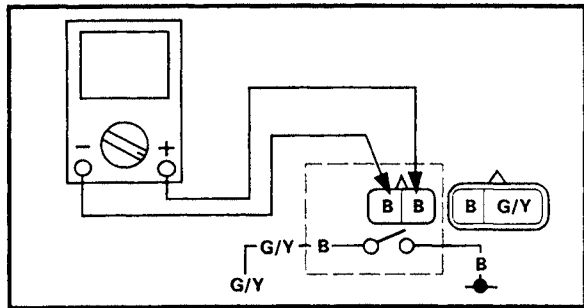
MEET SPECIFICATION

Engine revolution limiter system is good.

2. Parking switch

- Disconnect the parking switch coupler from the wireharness.
- Connect the pocket tester ($\Omega \times 1$) to the parking switch coupler.
- Check the switch for continuity.

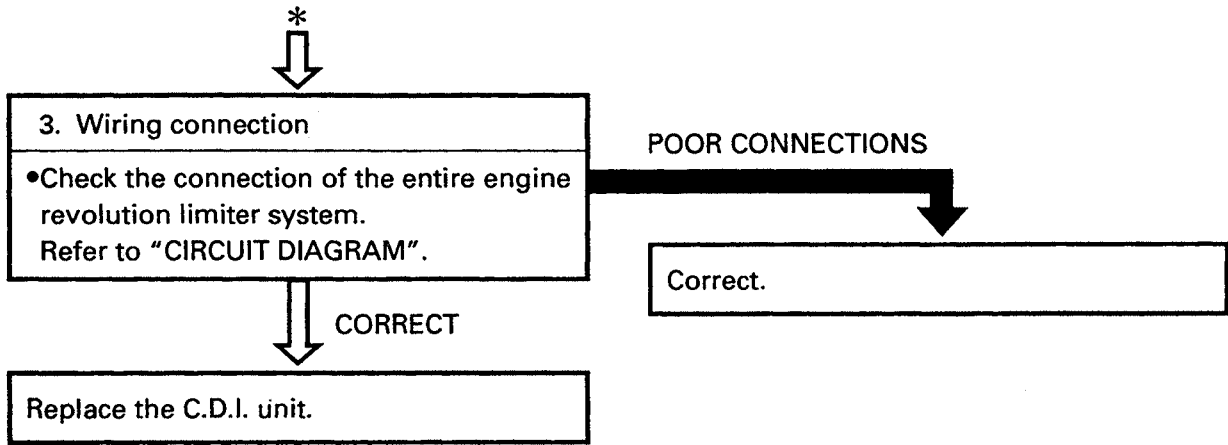
Parking brake	Good condition	Bad condition		
Apply	○ (Continuity)	×	○	×
Release	×	×	○	○



BAD CONDITION

Replace the parking switch.

*



YAMAHA

YFZ350B

**SUPPLEMENTARY
SERVICE MANUAL**

FOREWORD

This Supplementary Service manual has been prepared to introduce new service and new data for the YFZ350B. For complete information on service procedures, it is necessary to use this Supplementary Service Manual together with following manual.

YFZ350T Service Manual (LIT-11616-05-87)
YFZ350A Service Manual (LIT-11616-07-46)

**YFZ350B
SUPPLEMENTARY
SERVICE MANUAL**

©1990 by Yamaha Motor Corporation, U.S.A.
1st Edition, November 1990

**All rights reserved. Any reprinting or
unauthorized use without the written
permission of Yamaha Motor**

**Corporation, U.S.A.
is expressly prohibited.**

**Printed in U.S.A.
LIT-11616-07-86**

NOTICE

This manual was by the Yamaha Motor Company primary for use by Yamaha dealers and their qualified mechanics. It is not possible to put an entire mechanic's education into one manual, so it is assumed that person using this book to perform maintenance and repairs on Yamaha machine have a basic understanding of the mechanical concepts and procedures inherent in machine repair technology. Without such knowledge, attempt repairs or service to this model may render it unfit to use and/or unsafe.

Yamaha Motor Company, Ltd. is continually striving to improve all models manufactured by Yamaha. Modifications and significant changes in specifications or procedures will be forwarded to all Authorized Yamaha dealers and will, where applicable, appear in future editions of this manual.

TECHNICAL PUBLICATIONS
SERVICE DIVISION
MOTORCYCLE GROUP
YAMAHA MOTOR CO., LTD.

PARTICULARLY IMPORTANT INFORMATION

This material is distinguished by the following notation.



The Safety Alert Symbol means ATTENTION! BECOME ALERT! YOUR SAFETY IS INVOLVED!

⚠ WARNING

Failure to follow WARNING instructions could result in severe injury or death to the machine operator, a bystander, or a person inspecting or repairing the machine.

CAUTION:

A CAUTION indicates special precautions that must be taken to avoid damage to the machine.

NOTE:

A NOTE provides key information to make procedures easier or clearer.

HOW TO USE THIS MANUAL

CONSTRUCTION OF THIS MANUAL

This manual consists of chapters for the main categories of subjects. (See "Illustrated symbols")

- 1st title ① : This is a chapter with its symbol on the upper right of each page.
- 2nd title ② : This title appears on the upper of each page on the left of the chapter symbol. (For the chapter "Periodic inspection and adjustment" the 3rd title appears.)
- 3rd title ③ : This is a final title.

MANUAL FORMAT

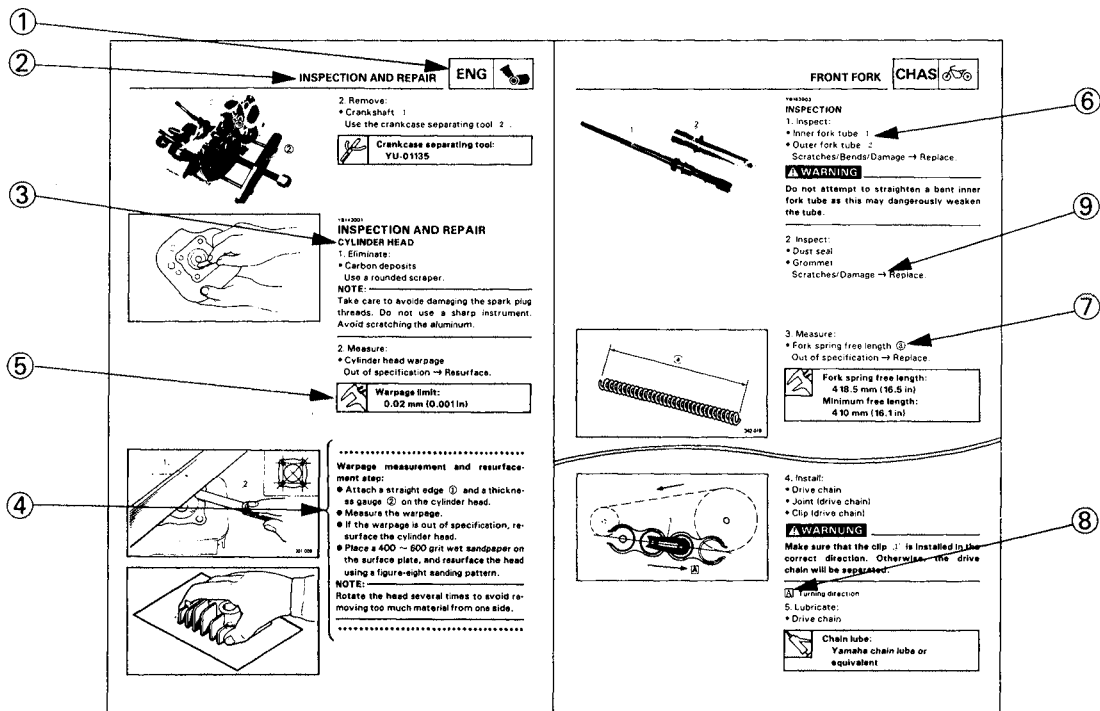
All of the procedures in this manual are organized in a sequential, step-by-step format. The information has been compiled to provide the mechanic with an easy to read, handy reference that contains comprehensive explanations of all disassembly, repair, assembly, and inspections. A set of particularly important procedure ④ is placed between a line of asterisks "*" with each procedure preceded by "●".
















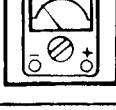







IMPORTANT FEATURES

- Data and a special tool are framed in a box preceded by a relevant symbol ⑤.
- An encircled numeral ⑥ indicates a part name, and an encircled alphabetical letter data or an alignment mark ⑦, the others being indicated by an alphabetical letter in a box ⑧.
- A condition of a faulty component will precede an arrow symbol and the course of action required the symbol ⑨.

EXPLODED DIAGRAM

Each chapter provides exploded diagrams before each disassembly section for ease in identifying correct disassembly and assembly procedures.



① GEN INFO 	② SPEC 	
③ INSP ADJ 	④ ENG 	
⑤ COOL 	⑥ CARB 	
⑦ DRIV 	⑧ CHAS 	
⑨ ELEC 	⑩ TRBL SHTG ?	
⑪ 	⑫ 	
⑬ 	⑭ 	
⑮ 	⑯ 	
⑰ 	⑱ 	
⑲ 	⑳ 	㉑ 
㉒ 	㉓ 	㉔ 

ILLUSTRATED SYMBOLS (Refer to the illustration)

Illustrated symbols ① to ⑩ are designed as thumb tabs to indicate the chapter's number and content.

- ① General information
- ② Specifications
- ③ Periodic inspection and adjustment
- ④ Engine
- ⑤ Cooling system
- ⑥ Carburetion
- ⑦ Drive train
- ⑧ Chassis
- ⑨ Electrical
- ⑩ Troubleshooting

Illustrated symbols ⑪ to ⑰ are used to identify the specifications appearing in the text.

- ⑪ Filling fluid
- ⑫ Lubricant
- ⑬ Special tool
- ⑭ Tightening
- ⑮ Wear limit, clearance
- ⑯ Engine speed
- ⑰ Ω , V, A

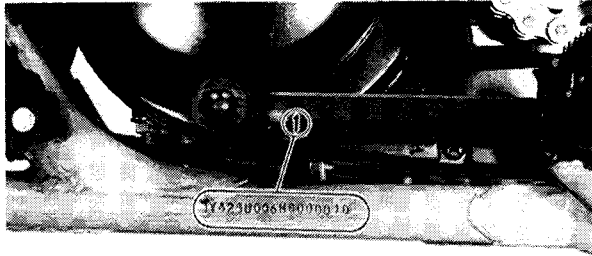
Illustrated symbols ⑱ to ㉔ in the exploded diagram indicate grade of lubricant and location of lubrication point.

- ⑱ Apply locking agent (LOCTITE®)
- ⑲ Apply engine oil
- ⑳ Apply gear oil
- ㉑ Apply molybdenum disulfide oil
- ㉒ Apply wheel bearing grease
- ㉓ Apply lightweight lithium-soap base grease
- ㉔ Apply molybdenum disulfide grease

CONTENTS

GENERAL INFORMATION	1
MACHINE IDENTIFICATION	1
VEHICLE IDENTIFICATION NUMBER	1
ENGINE SERIAL NUMBER	1
SPECIFICATIONS	2
GENERAL SPECIFICATIONS	2
MAINTENANCE SPECIFICATIONS	2
CHASSIS	2
TIGHTENING TORQUE	3
CHASSIS	4
FRONT SHOCK ABSORBER AND FRONT ARMS	4
REMOVAL	5
FREE PLAY INSPECTION	5
INSPECTION	6
INSTALLATION	7

GENERAL INFORMATION



MACHINE IDENTIFICATION

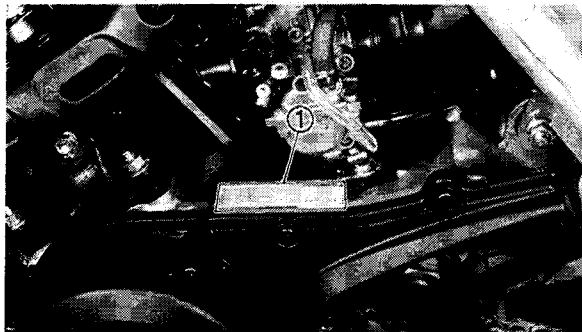
VEHICLE IDENTIFICATION NUMBER

The vehicle identification number ① is stamped into the left side of the frame.

NOTE: _____

The vehicle identification number is used to identify your machine and may be used to register your machine with the licensing authority in your state.

Starting serial number:
JY43GGA0*MC025101



ENGINE SERIAL NUMBER

The engine serial number ① is stamped into the right side of the engine.

Starting serial number:
3GG-025101

NOTE: _____

- The first three digits of these numbers are for model identifications; the remaining digits are the unit production number.
- Designs and specifications are subject to change without notice.



SPECIFICATIONS

GENERAL SPECIFICATIONS

Model	YFZ350B	
Model Code Number	3GG4	
Engine Starting Number	3GG-025101	
Vehicle Identification Number	JY43GGA0*MC025101	
BASIC WEIGHT: With Oil and Full Fuel Tank	186 kg (410 lb)	
CHASSIS:		
Frame Type	Steel Tube Frame	
Caster Angle	9°	
Trail	40 mm (1.57 in)	
Tread (Standard): Rear	840 mm (33.1 in)	
Front	900 mm (35.4 in)	
Toe-in	0 ~ 10 mm (0 ~ 0.39 in)	
TIRE:		
Type	Tubeless	
Size: Front	AT21 × 7-10	
Rear	AT20 × 10-9	
Wear Limit	3 mm (0.12 in)	
TIRE PRESSURE:	Front	Rear
	30 kPa (0.30 kg/cm ² , 4.4 psi)	30 kPa (0.30 kg/cm ² , 4.4 psi)

MAINTENANCE SPECIFICATIONS

CHASSIS

Model	YFZ350B	
FRONT SUSPENSION:		
Cushion stroke	110 mm (4.33 in)	
Suspension Spring Free Length	286.5 mm (11.3 in)	
Spring Rate (K1)	21.6 N/mm (2.7 kg/mm, 123 lb/in)	
(K2)	33.3 N/mm (3.4 kg/mm, 190 lb/in)	
Stroke (K1)	Zero ~ 93 mm (Zero ~ 3.66 in)	
(K2)	93 mm ~ 133 mm (3.66 ~ 5.24 in)	
REAR SUSPENSION:		
Shock Absorber Travel	89 mm (3.50 in)	
Spring Free Length	240.5 mm (9.47 in)	
Fitting Length	220.5 mm (8.68 in)	
Spring Rate (K1)	53.9 N/mm (5.5 kg/mm, 308 lb/in)	
Stroke (K1)	Zero ~ 109 mm (Zero ~ 4.29 in)	
FRONT DISC BRAKE:		
Type	Dual	
Disc Outside Dia. × Thickness	161.0 × 3.5 mm (6.34 × 0.138 in)	
Pad Thickness	4.5 mm (0.18 in)	
< Limit >	< 1.0 mm (0.04 in) >	
Master Cylinder Inside Diameter	14 mm (0.55 in)	
Caliper Cylinder Inside Diameter	31.75 mm (1.25 in)	
Brake Fluid Type	DOT #4 or DOT #3	



Model	YFZ350B
REAR DISC BRAKE:	
Type	Single
Disc Outside Dia. × Thickness	220.0 × 3.5 mm (8.66 × 0.138 in)
Pad Thickness Inner	4.5 mm (0.18 in)
< Limit >	< 1.0 mm (0.04 in) >
Pad Thickness Outer	4.5 mm (0.18 in)
< Limit >	< 1.0 mm (0.04 in) >
Master Cylinder Inside Diameter	12.7 mm (0.50 in)
Caliper Cylinder Inside Diameter	33.96 mm (1.34 in)
Brake Fluid Type	DOT #4 or DOT #3

TIGHTENING TORQUE

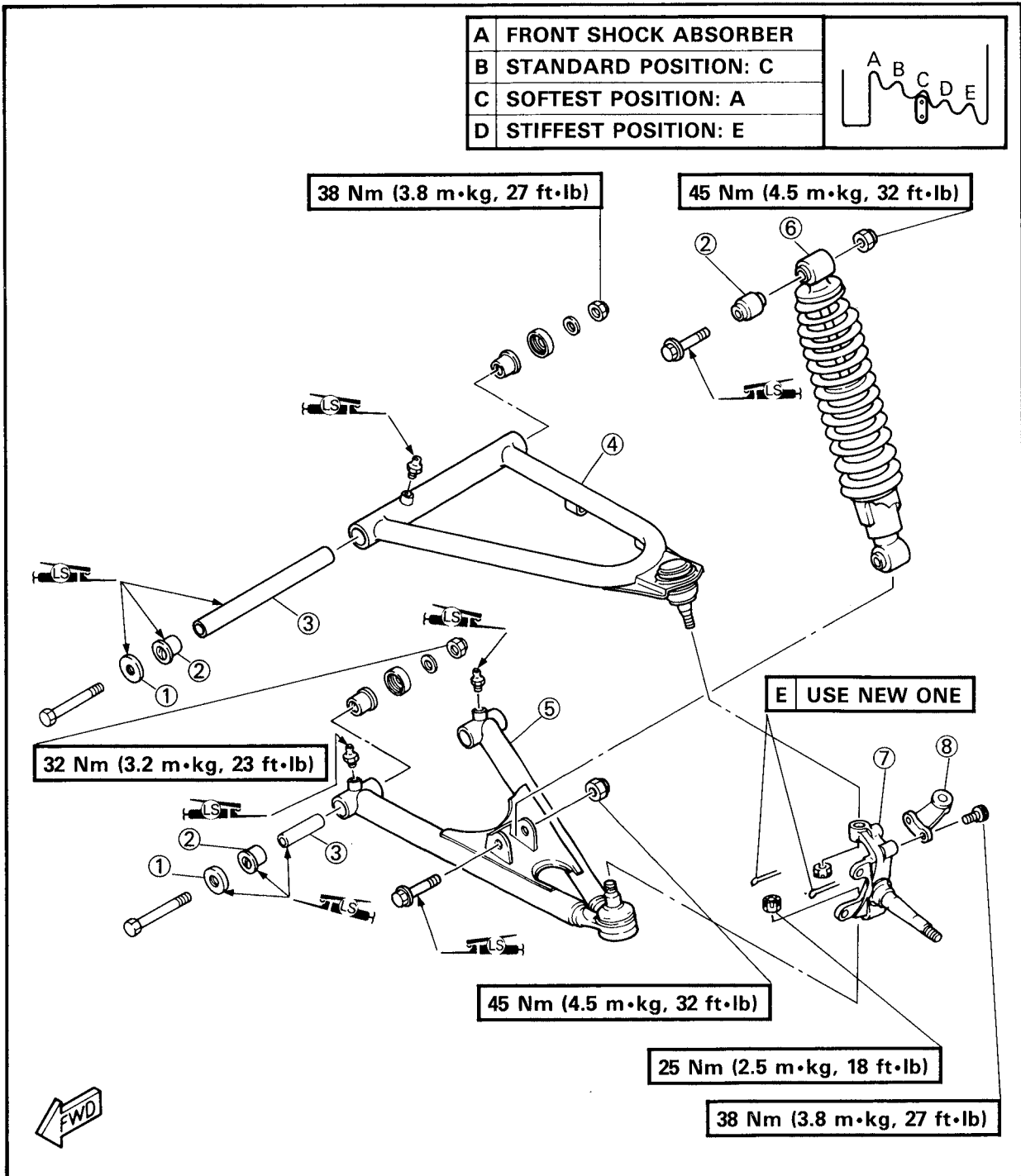
The following shows only the differences from the YFZ350A.

Part to be tightened	Thread size	Tightening torque			Remarks
		Nm	m•kg	ft•lb	
Lower arm & Frame	M10 × 1.25	32	3.2	23	
Pivot shaft	M16 × 1.5	95	9.5	68	
Upper arm & Frame	M10 × 1.25	38	3.8	27	
Wheel panel & Wheel collar	M10 × 1.25	45	4.5	32	
Sprocket shaft collar & Driven sprocket	M8 × 1.25	24	2.4	17	

CHASSIS

FRONT SHOCK ABSORBER AND FRONT ARMS

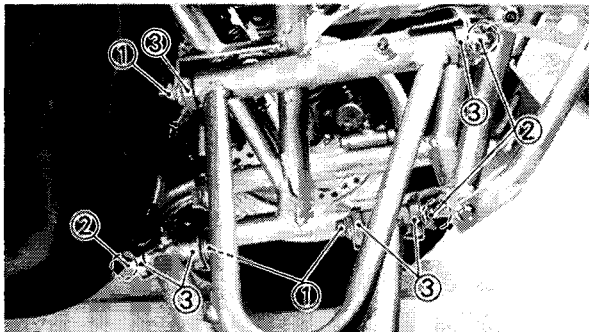
- ① Thrust cover
- ② Bushing
- ③ Collar
- ④ Front arm (upper)
- ⑤ Front arm (lower)
- ⑥ Front shock absorber
- ⑦ Steering knuckle
- ⑧ Knuckle arm



REMOVAL

1. Remove:
 - Seat
 - Rear fender
 - Wheel hub
 - Knuckle arm
 - Front shock absorber
 - Front bumper
 - Steering knuckle
 - Silencer
 - Spring
 - Stay (Exhaust pipe)

Refer to "YFZ350T Service Manual CHAPTER 6. FRONT SHOCK ABSORBER AND FRONT ARMS—REMOVAL" section for details.



2. Remove:
 - Nuts (Front arm) ①
 - Bolts (Front arm) ②
 - Thrust cover ③
 - Collars
 - Bushings

NOTE:

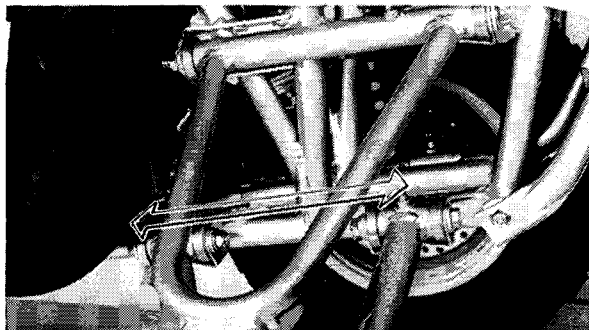
Remove the bolt ② while pulling the exhaust pipe toward you.

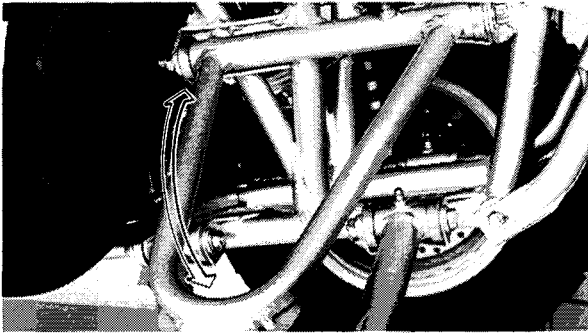
FREE PLAY INSPECTION

1. Remove:
 - Front wheels
 - Front brake calipers
 - Front hubs
 - Tie-rods
 - Steering knuckles
 - Front shock absorbers

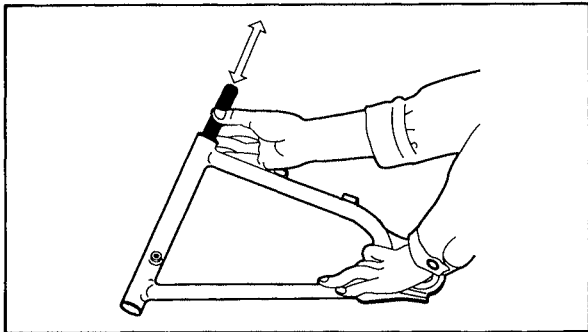
Refer to "REMOVAL" section.

2. Check:
 - Front arms (Side play)
Side play → Replace spacer and bushings as a set.
Move the front arms from side to side.
There should be no noticeable side play.





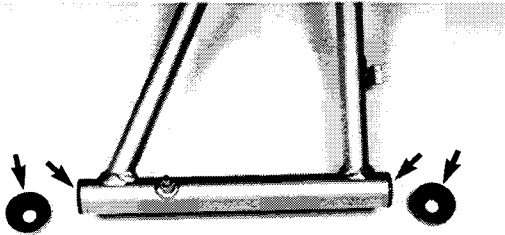
3. Check:
- Front arms (Vertical movement)
Tightness/Binding/Rough spots → Replace spacer and bushings as a set.
Move the front arms up and down.



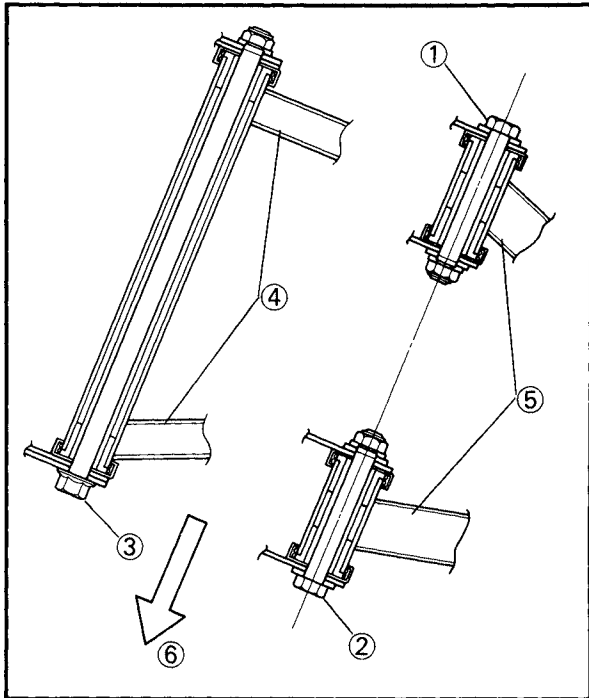
INSPECTION

Front Arms Inspection

1. Check:
- Spacer free play
Spacer is loose → Replace spacer and bushings as a set.
Insert the spacer into the front arm, and check for free play.



2. Inspect:
- Thrust covers
 - Bushings
Wear/Damage → Replace as a set.



INSTALLATION

When installing the front arms and shock absorber, reverse the removal procedure. Note the following points.

1. Install:
 - Front arms

NOTE:

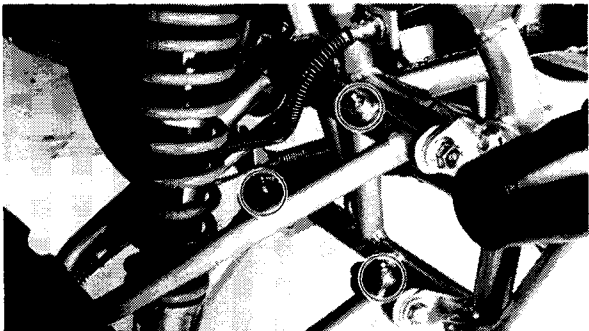
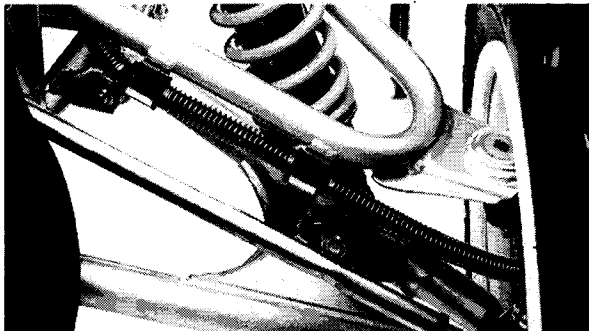
Be sure to position the bolts (upper and lower) ①, ②, ③ so that the bolt head face outward.

- ④ Front arm (Upper)
- ⑤ Front arm (Lower)
- ⑥ Forward

2. Tighten:
 - Nuts (Front arm)



Nut (Front Upper Arm):
 38 Nm (3.8 m•kg, 27 ft•lb)
Nuts (Front Lower Arm):
 32 Nm (3.2 m•kg, 23 ft•lb)



⚠ WARNING

- Make sure the brake hoses are properly routed, and are not damaged or twisted.

- 3 Lubricate:
 - Pivot points (Front arms)
 - Use a grease gun.



Lithium Base Grease

Refer to "YFZ350T Service Manual CHAPTER 6. FRONT SHOCK ABSORBER AND FRONT ARMS—INSTALLATION" section for details of installation for other than above specification.

YAMAHA MOTOR CO.,LTD.

PRINTED IN U.S.A.



YAMAHA

YFZ350A

**SUPPLEMENTARY
SERVICE MANUAL**

FOREWORD

This Supplementary Service manual has been prepared to introduce new service and new data for the YFZ350A. For complete information on service procedures, it is necessary to use this Supplementary Service Manual together with following manual.

YFZ350T Service Manual (LIT-11616-05-87)

YFZ350A

**SUPPLEMENTARY
SERVICE MANUAL**

© 1989 by Yamaha Motor Corporation, U.S.A.

1st Edition, December 1989

**All rights reserved. Any reprinting or
unauthorized use without the written
permission of Yamaha Motor Corporation, U.S.A.
is expressly prohibited.**

Printed in U.S.A.

LIT-11616-07-46

NOTICE

This manual was by the Yamaha Motor Company primary for use by Yamaha dealers and their qualified mechanics. It is not possible to put an entire mechanic's education into one manual, so it is assumed that person using this book to perform maintenance and repairs on Yamaha machine have a basic understanding of the mechanical concepts and procedures inherent in machine repair technology. Without such knowledge, attempt repairs or service to this model may render it unfit to use and/or unsafe. Yamaha Motor Company, Ltd. is continually striving to improve all models manufactured by Yamaha. Modifications and significant changes in specifications or procedures will be forwarded to all Authorized Yamaha dealers and will, there applicable, appear in future editions of this manual.

**TECHNICAL PUBLICATIONS
SERVICE DIVISION
MOTORCYCLE GROUP
YAMAHA MOTOR CO., LTD.**

PARTICULARLY IMPORTANT INFORMATION

This material is distinguished by the following notation.



The Safety Alert Symbol means **ATTENTION! BECOME ALERT! YOUR SAFETY IS INVOLVED!**



Failure to follow WARNING instructions could result in severe injury or death to the machine operator, a bystander, or a person inspecting or repairing the machine.



A CAUTION indicates special precautions that must be taken to avoid damage to the machine.

NOTE:

A NOTE provides key information to make procedures easier or clearer.

HOW TO USE THIS MANUAL

CONSTRUCTION OF THIS MANUAL

This manual consists of chapters for the main categories of subjects. (See "Illustrated symbols")

- 1st title ① : This is a chapter with its symbol on the upper right of each page.
- 2nd title ② : This title appears on the upper of each page on the left of the chapter symbol. (For the chapter "Periodic inspection and adjustment" the 3rd title appears.)
- 3rd title ③ : This is a final title.

MANUAL FORMAT

All of the procedures in this manual are organized in a sequential, step-by-step format. The information has been compiled to provide the mechanic with an easy to read, handy reference that contains comprehensive explanations of all disassembly, repair, assembly, and inspections.

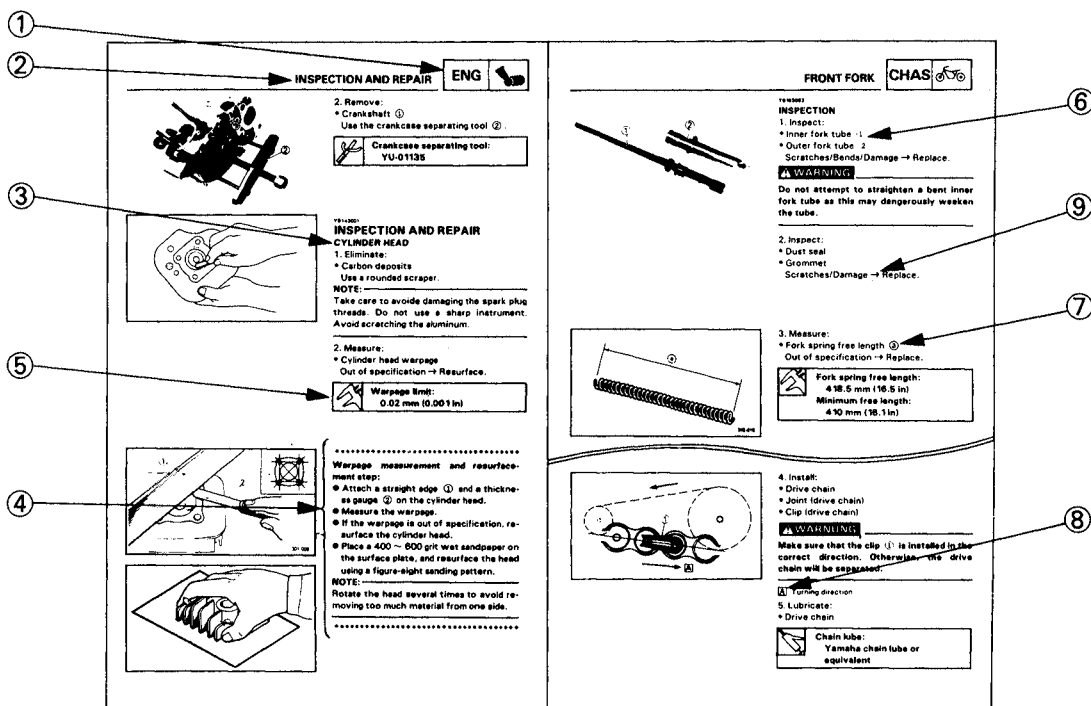
A set of particularly important procedure ④ is placed between a line of asterisks "*" with each procedure preceded by "●".
















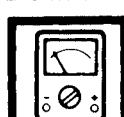







IMPORTANT FEATURES

- Data and a special tool are framed in a box preceded by a relevant symbol ⑤.
- An encircled numeral ⑥ indicates a part name, and an encircled alphabetical letter data or an alignment mark ⑦, the others being indicated by an alphabetical letter in a box ⑧.
- A condition of a faulty component will precede an arrow symbol and the course of action required the symbol ⑨.

EXPLODED DIAGRAM

Each chapter provides exploded diagrams before each disassembly section for ease in identifying correct disassembly and assembly procedures.



① GEN INFO 	② SPEC 	
③ INSP ADJ 	④ ENG 	
⑤ COOL 	⑥ CARB 	
⑦ DRIV 	⑧ CHAS 	
⑨ ELEC 	⑩ TRBL SHTG ?	
⑪ 	⑫ 	
⑬ 	⑭ 	
⑮ 	⑯ 	
⑰ 	⑱ 	
⑲ 	⑳ 	㉑ 
㉒ 	㉓ 	㉔ 

ILLUSTRATED SYMBOLS

(Refer to the illustration)

Illustrated symbols ① to ⑩ are designed as thumb tabs to indicate the chapter's number and content.

- ① General information
- ② Specifications
- ③ Periodic inspection and adjustment
- ④ Engine
- ⑤ Cooling system
- ⑥ Carburetion
- ⑦ Drive train
- ⑧ Chassis
- ⑨ Electrical
- ⑩ Troubleshooting

Illustrated symbols ⑪ to ⑰ are used to identify the specifications appearing in the text.

- ⑪ Filling fluid
- ⑫ Lubricant
- ⑬ Special tool
- ⑭ Tightening
- ⑮ Wear limit, clearance
- ⑯ Engine speed
- ⑰ Ω, V, A

Illustrated symbols ⑱ to ㉔ in the exploded diagram indicate grade of lubricant and location of lubrication point.

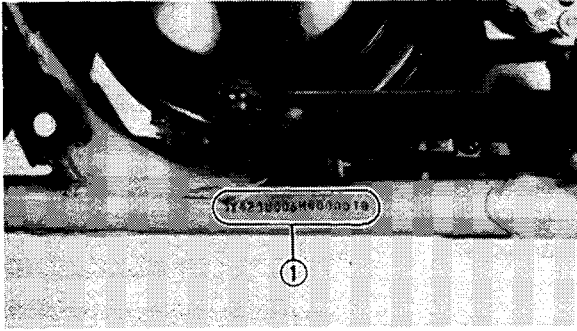
- ⑱ Apply locking agent (LOCTITE®)
- ⑲ Apply engine oil
- ⑳ Apply gear oil
- ㉑ Apply molybdenum disulfide oil
- ㉒ Apply wheel bearing grease
- ㉓ Apply lightweight lithium-soap base grease
- ㉔ Apply molybdenum disulfide grease

CONTENTS

GENERAL INFORMATION	1
MACHINE IDENTIFICATION	1
VEHICLE IDENTIFICATION NUMBER	1
ENGINE SERIAL NUMBER	1
SPECIAL TOOLS	2
FOR CHASSIS SERVICE	2
SPECIFICATIONS	3
GENERAL SPECIFICATIONS	3
MAINTENANCE SPECIFICATIONS	4
ENGINE	4
CHASSIS	4
TIGHTENING TORQUE	5
PERIODIC INSPECTION AND ADJUSTMENT	7
CHASSIS	7
FRONT BRAKE	7
FRONT AND REAR SHOCK ABSORBER ADJUSTMENT	7
CHASSIS	11
FRONT BRAKE	11
BRAKE CALIPER AND BRAKE DISC	11
BRAKE PAD REPLACEMENT	12
CALIPER	13
REAR AXLE	16
INSTALLATION	16



GENERAL INFORMATION



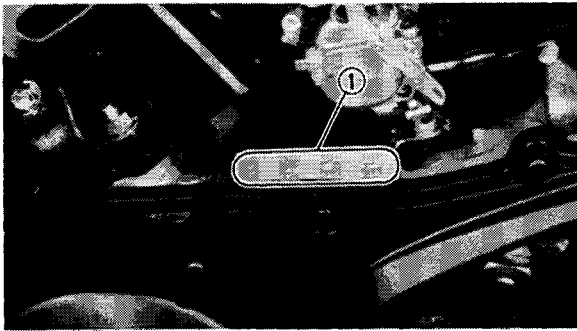
MACHINE IDENTIFICATION VEHICLE IDENTIFICATION NUMBER

The vehicle identification number ① is stamped into the left side of the frame.

NOTE: _____

The vehicle identification number is used to identify your machine and may be used to register your machine with the licensing authority in your state.

Starting serial number:
JY43GGA0 *LC010101



ENGINE SERIAL NUMBER

The engine serial number ① is stamped into the right side of the engine.

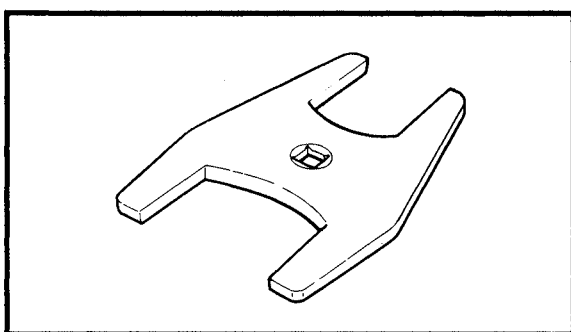
NOTE: _____

The first three digits of these numbers are for model identifications; the remaining digits are the unit production number.

Starting serial number:
3GG-010101

NOTE: _____

Designs and specifications are subject to change without notice.



SPECIAL TOOLS

The following shows only the difference(s) from the YFZ350T.

FOR CHASSIS SERVICE

1. Rear axle nut wrench
P/N YM-37132

This tool is used to loosen and tighten the Nut (Rear axle).



SPECIFICATIONS

GENERAL SPECIFICATIONS

Model	YFZ350A
Model Code Number	3GG2
Engine Starting Number	3GG-010101
Vehicle Identification Number	JY43GGA0 *LC010101
DIMENSIONS: Overall Length Overall Width Overall Height Seat Height Wheelbase Minimum Ground Clearance	1,855 mm (73 in) 1,100 mm (43.3 in) 1,080 mm (42.5 in) 800 mm (31.5 in) 1,280 mm (50.4 in) 135 mm (5.31 in)
BASIC WEIGHT: With Oil and Full Fuel Tank	185 kg (408 lb)
FUEL: Type Capacity: Total Reserve Amount	PREMIUM UNLEADED FUEL, Premix (20:1) 12 L (2.64 Imp gal, 3.17 US gal) 2.5 L (2.2 Imp qt, 2.64 US qt)
TRANSMISSION: Primary Reduction System Primary Reduction Ratio Secondary Reduction System Secondary Reduction Ratio Transmission Type Operation Gear Ratio: 1st 2nd 3rd 4th 5th 6th	Helical Gear 66/23 (2.869) Chain Drive 41/14 (2.929) Constant Mesh 6-Speed Left Foot Operation 32/13 (2.461) 29/16 (1.812) 27/18 (1.500) 25/20 (1.250) 23/22 (1.045) 21/24 (0.875)
CHASSIS: Frame Type Caster Angle Trail Tread (Standard): Rear Front Toe-in	Steel Tube Frame 9° 40 mm (1.57 in) 870 mm (34.3 in) 900 mm (35.4 in) 0 ~ 10 mm (0 ~ 0.39 in)
TIRE: Type Size: Front Rear Wear Limit	Tubeless AT21 × 7-10 AT20 × 11-10 3 mm (0.12 in)

MAINTENANCE SPECIFICATIONS



Model	YFZ350A	
TIRE PRESSURE:	Front	Rear
	30 kPa (0.30 kg/cm ² , 4.4 psi)	25 kPa (0.25 kg/cm ² , 3.6 psi)
WHEEL TRAVEL:		
Front	220 mm (8.66 in)	
Rear	230 mm (9.1 in)	

MAINTENANCE SPECIFICATIONS

ENGINE

Model	YFZ350A	
CARBURETOR:		
I.D. Mark	2GU-01	
Fuel Level (F.L.) (With Special Tool)	0.5 ~ 1.5 mm (0.020 ~ 0.059 in)	
Float Height (F.H.)	20 ~ 22 mm (0.80 ~ 0.88 in)	
Main Jet (M.J.)	#200	
Main Air Jet (M.A.J.)	ø1.6	
Jet Needle (J.N.)	5N7-3	
Needle Jet (N.J.)	O-8	
Cutaway (C.A.)	2.0	
Pilot Outlet (P.O.)	ø0.6	
Pilot Jet (P.J.)	#25	
Bypass 1 (B.P.1.)	1.4	
Air Screw (A.S.)	2.0 turns out	
Valve Seat Size (V.S.)	2.8	
Starter Jet (G.S.)	ø1.4	

CHASSIS

Model	YFZ350A	
FRONT SUSPENSION:		
Cushion stroke	110 mm (4.33 in)	
Suspension Spring Free Length	282 mm (11.1 in)	
Spring Rate (K1)	28.4 N/mm (2.9 kg/mm, 162 lb/in)	
(K2)	33.3 N/mm (3.4 kg/mm 190 lb/in)	
Stroke (K1)	Zero ~ 65 mm (Zero ~ 2.56 in)	
(K2)	65 mm ~ 135.5 (2.56 ~ 5.33 in)	
REAR SUSPENSION:		
Shock Absorber Travel	89 mm (3.50 in)	
Spring Free Length	234.5 mm (9.23 in)	
Fitting Length	218.5 mm (8.6 in)	
Spring Rate (K1)	63.7 N/mm (6.5 kg/mm, 364 lb/in)	
Stroke (K1)	Zero ~ 110 mm (Zero ~ 4.3 in)	
DRIVE CHAIN:		
Type/Manufacturer	520V6/DAIDO	
No. of Links	104	
Chain Free Play	15 ~ 20 mm (0.6 ~ 0.78 in)	

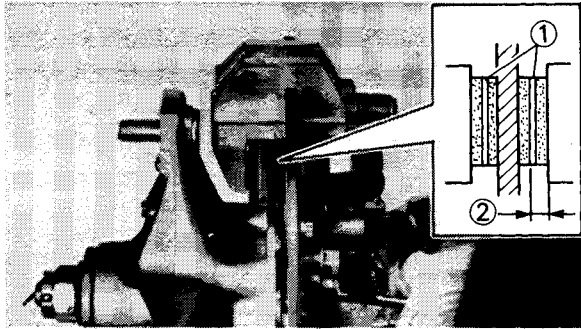
TIGHTENING TORQUE

Part to be tightened	Thread size	Tightening torque			Remarks
		Nm	m·kg	ft·lb	
Steering knuckle & Castle nut	M14 × 1.5	85	8.5	61	Use lock washer
Wheel panel nut	M10 × 1.25	45	4.5	32	
Steering knuckle & Knuckle arm	M10 × 1.25	38	3.8	27	
Caliper (Front)	M 8 × 1.25	28	2.8	20	
Brake disc (Front & Rear)	M 8 × 1.25	28	2.8	20	
Steering knuckle & Ball joint	M10 × 1.25	25	2.5	18	
Ball joint (Tie-rod) & Knuckle arm	M10 × 1.25	25	2.5	18	
Ball joint (Tie-rod) & Steering shaft	M10 × 1.25	25	2.5	18	
Ball joint & Tie-rod	M10 × 1.25	30	3.0	22	
Steering shaft & Frame	M10 × 1.25	30	3.0	22	
Steering bearing bracket & Frame	M 8 × 1.25	23	2.3	17	
Handlebar holder	M 8 × 1.25	20	2.0	14	
Bearing holder (Steering shaft)	M42 × 1.0	40	4.0	29	
Upper & Lower arm & Frame	M10 × 1.25	30	3.0	22	
Front shock absorber (Upper & Lower)	M10 × 1.25	45	4.5	32	
Engine mount:					
Frame & Front engine stay	M 8 × 1.25	30	3.0	22	
Engine & Front engine stay	M10 × 1.25	45	4.5	32	
Engine & Rear engine stay	M10 × 1.25	45	4.5	32	
Tension rod & Engine	M10 × 1.25	25	2.5	18	
Tension rod & Tension rod stay	M10 × 1.25	45	4.5	32	
Tension rod stay & Frame	M10 × 1.25	45	4.5	32	
Pivot shaft	M16 × 1.5	85	8.5	61	
Rear shock absorber (Upper & Lower)	M10 × 1.25	30	3.0	22	
Relay arm & Frame	M10 × 1.25	30	3.0	22	
Connecting rod & Swingarm	M10 × 1.25	30	3.0	22	
Relay arm & connecting rod	M10 × 1.25	30	3.0	22	
Footrest	M10 × 1.25	55	5.5	40	
Caliper (Rear)	M 8 × 1.25	23	2.3	17	
Rear axle ring nut	M33 × 1.5	-	-	-	SEE NOTE
Rear axle & Castle nut	M14 × 1.5	120	12.0	85	
Rear hub & Swingarm (Upper)	M12 × 1.25	120	12.0	85	
(Lower)	M10 × 1.25	60	6.0	43	
Brake hose union bolt	M10 × 1.25	25	2.5	18	
Brake hose & Caliper	M10 × 1.25	25	2.5	18	
Brake hose joint & Brake pipe	M10 × 1.0	18	1.8	13	
Brake hose joint	M 8 × 1.25	20	2.0	14	
Rear master cylinder	M 8 × 1.25	20	2.0	14	
Driven sprocket	M10 × 1.25	60	6.0	43	
Chain puller & Locknut	M 8 × 1.25	16	1.6	11	
Locknut (Rear brake caliper adjustment)	M 8 × 1.25	16	1.6	11	
Swingarm & Swingarm guard	M 8 × 1.25	28	2.8	20	
Fuel tank & Fuel cock	M 6 × 1.0	5	0.5	3.6	
Bumper: (Front)	M 8 × 1.25	23	2.3	17	
(Rear)	M 8 × 1.25	23	2.3	17	
Master cylinder & bracket	M 6 × 1.0	10	1.0	7.2	
Fender stay & Frame	M 6 × 1.0	10	1.0	7.2	
Stay & Frame	M 8 × 1.25	23	2.3	17	

**NOTE:**

1. Tighten the inside-ring nut to 55 Nm (5.5 m • kg, 40 ft • lb) while holding the rear axle.
2. Hold the inside-ring nut and tighten the outside-ring nut to 190 Nm (19.0 m • kg, 140 ft • lb).
3. Hold the outside-ring nut and tighten back the inside-ring nut to 240 Nm (24.0 m • kg, 170 ft • lb).

PERIODIC INSPECTION AND ADJUSTMENT




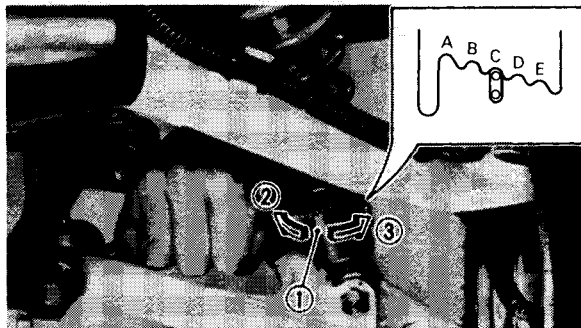
CHASSIS

FRONT BRAKE

Front Brake Pad

1. Activate the brake lever.
 2. Inspect:
 - Brake pads
- Wear indicator ① (White line) almost contacts brake disc → Replace brake pads as a set. Refer to the "BRAKE PAD REPLACEMENT" section.

 **Front Brake Pad Wear Limit: ②**
1.0 mm (0.04 in)



FRONT AND REAR SHOCK ABSORBER ADJUSTMENT

Front Shock Absorber

1. Adjust:
 - Spring preload
- Turn the adjuster ① to increase or decrease the spring preload.

Front Shock Absorber Preload			
Preload	Softer ② ←	Standard	Stiffer ③ →
Position	A, B	C	D, E

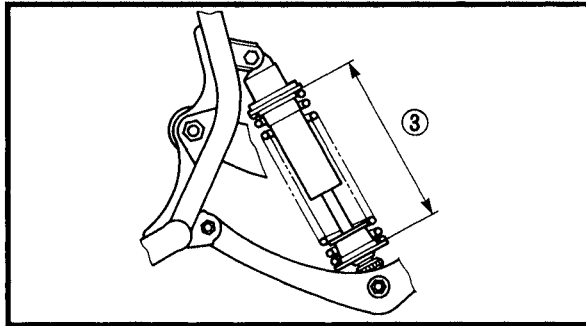
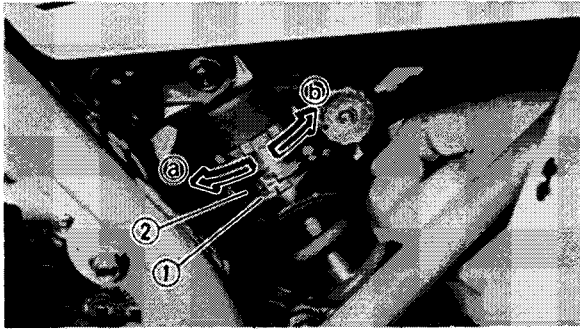
Rear Shock Absorber

⚠ WARNING

This shock absorber contains highly pressurized nitrogen gas. Read and understand the following information before handling the shock absorber. The manufacture cannot be held responsible for property damage or personal injury that may result from improper handling.

- Do not tamper with or attempt to open the cylinder assembly.
- Do not subject shock absorber to an open flame or other high heat source. This may cause the unit to explode due to excessive gas pressure.
- Do not deform or damage the cylinder in any way. Cylinder damage will result in poor damping performance.

FRONT AND REAR SHOCK ABSORBER ADJUSTMENT



1. Adjust:
- Spring preload

Spring preload adjustment steps:

- Elevate the rear wheels by placing the suitable stand.
- Loosen the locknut ② .
- Adjust the spring preload.

NOTE: _____
 The length of the spring (installed) changes 1 mm (0.04 in) per turn of the adjuster.

③ Spring length

Stiffer ① → Increase the spring preload.
 (Turn the adjuster ① in.)
Softer ② → Decrease the spring preload.
 (Turn the adjuster ① out.)

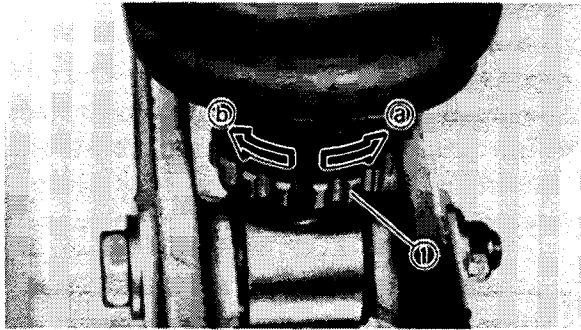
	Standard Spring Length (Installed): 218.5 mm (8.6 in)
	Minimum Length (Installed): 213.5 mm (8.4 in)
	Maximum Length (Installed): 228.5 mm (9.0 in)

CAUTION: _____
 Never attempt to turn the adjuster beyond the maximum or minimum setting.

- Tighten the locknuts.

	Locknut: 54 Nm (5.4 m · kg, 39 ft · lb)
--	---

FRONT AND REAR SHOCK ABSORBER ADJUSTMENT



2. Adjust:
- Rebound damping force

Rebound damping force adjustment steps:

- Turn the adjuster (1) 12 clicks back from the fully turned-in position. (It is standard position)
- Adjust the rebound damping force.

Slower (a) → Increase the rebound damping force. (Turn the adjuster (1) in.)
Faster (b) → Decrease the rebound damping force. (Turn the adjuster (1) out.)

Standard setting:
 12 clicks turns out (From the fully turned-in position)

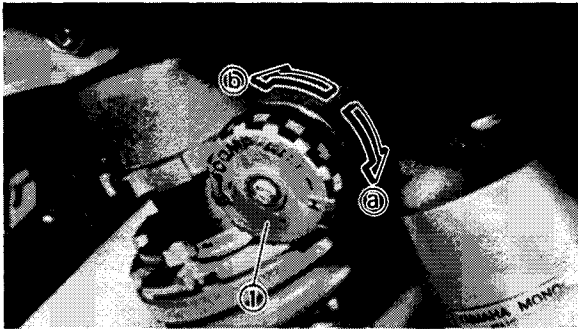
Minimum setting:
 8 clicks turns out (From standard position)

Maximum setting:
 12 clicks turns in (From standard position)

CAUTION:

Do not turn out (in) the adjuster from the damping force minimum (maximum) setting.

FRONT AND REAR SHOCK ABSORBER ADJUSTMENT



3. Adjust:

- Compression damping force

Compression damping force adjustment steps:

- Turn the adjuster ① 11 clicks back from the fully turned-out position. (It is standard position).
- Adjust the compression damping force.

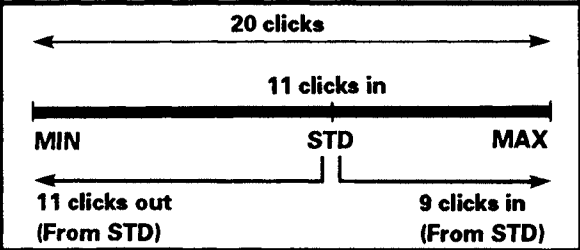
Stiffer (a) → Increase the compression damping force. (Turn the adjuster ① clockwise.)

Softer (b) → Decrease the compression damping force. (Turn the adjuster ① counterclockwise.)

Standard setting:
8 clicks turn in (From the fully turned out position)

Minimum setting:
11 clicks out (From standard setting)

Maximum setting:
9 clicks in (From standard setting)



CAUTION: _____

Do not turn out (in) the adjuster from the damping force minimum (maximum) setting.

⚠ WARNING _____

The compression damping adjuster is very hot immediately after a run.

Never allow your bare hand or part of your body to touch it.

CHASSIS

FRONT BRAKE

BRAKE CALIPER AND BRAKE DISC

- ① Brake disc
- ② Brake pads
- ③ Caliper piston assembly
- ④ Piston seal kit
- ⑤ Shim
- ⑥ Air bleed screw
- ⑦ Retaining bolt

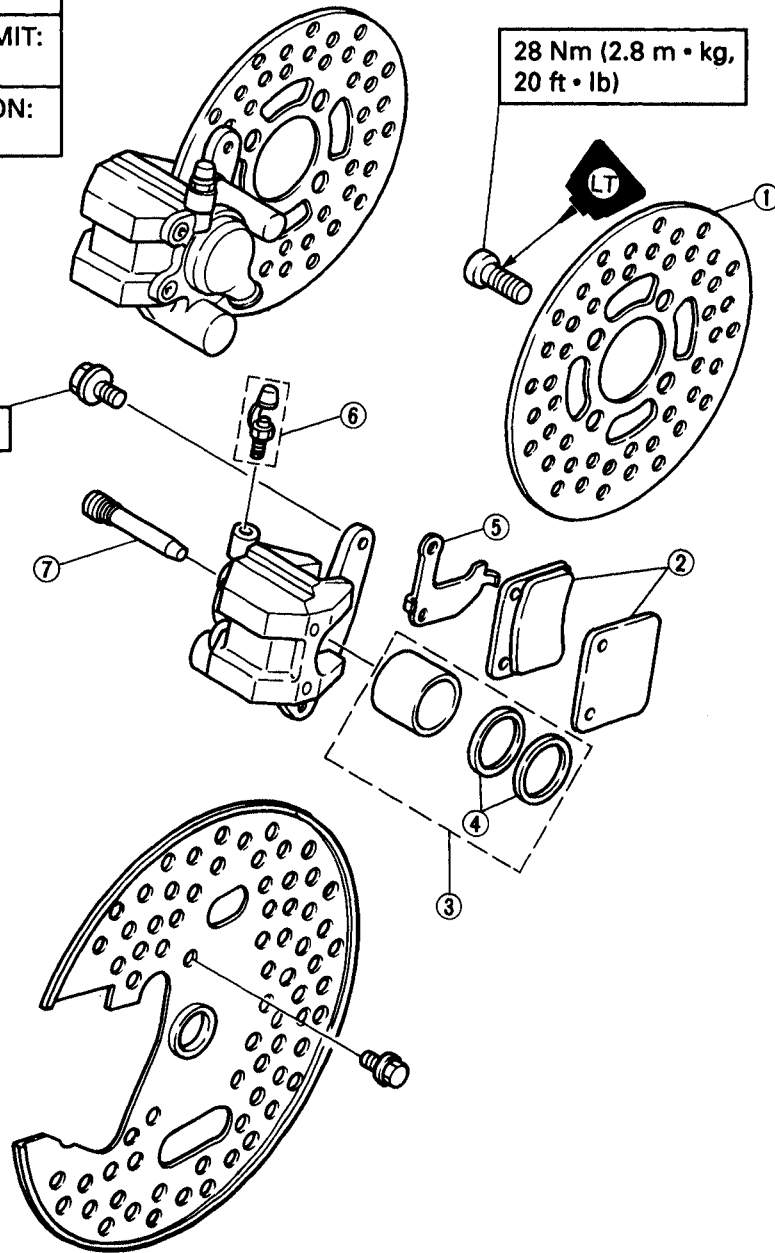
NOTE:

- Drain the brake fluid before removing the brake hose.
- Always replace the brake pads as a set.

A	BRAKE PAD WEAR LIMIT: 1.0 mm (0.04 in)
B	BRAKE DISC WEAR LIMIT: 3.0 mm (0.12 in)
C	MAXIMUM DEFLECTION: 0.5 mm (0.02 in)

28 Nm (2.8 m • kg, 20 ft • lb)

28 Nm (2.8 m • kg,
20 ft • lb)



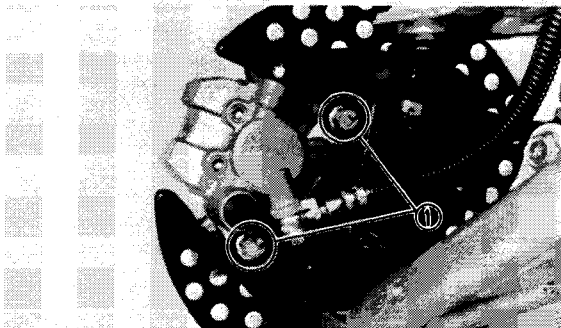
CAUTION:

Disc brake components rarely require disassembly. **DO NOT:**

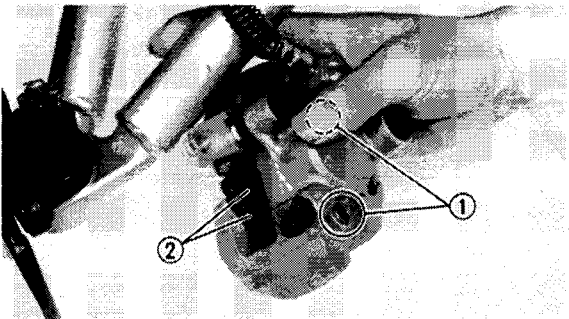
- Disassembly components unless absolutely necessary.
- Use solvents on internal brake component.
- Use contaminated brake fluid for cleaning.
- Use only clean brake fluid.
- Allow brake fluid to come in contact with the eyes otherwise eye injury may occur.
- Allow brake fluid to contact painted surfaces or plastic parts otherwise damage may occur.
- Disconnect any hydraulic connection otherwise the entire system must be disassembled, drained, cleaned, and then properly filled and bled after reassembly.

NOTE:

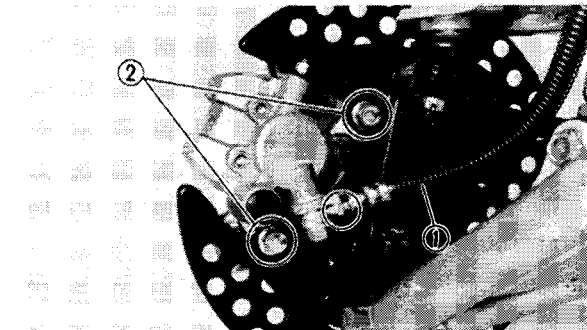
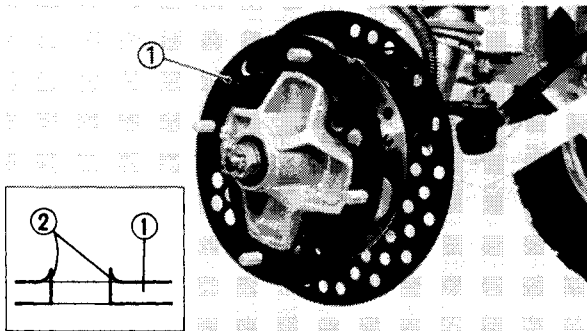
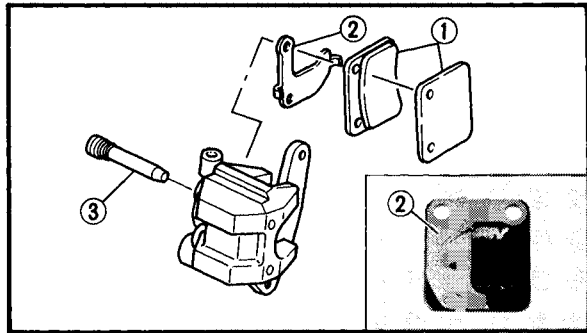
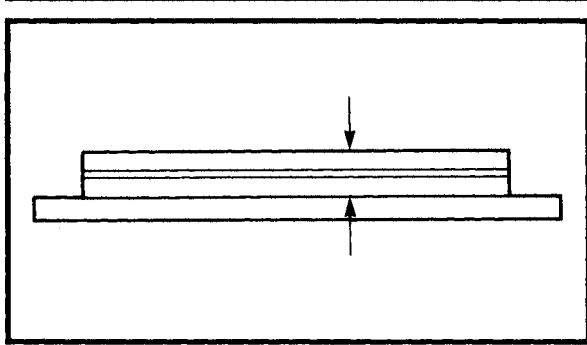
Drain the brake fluid before removing brake hose.

**BRAKE PAD REPLACEMENT****1. Remove:**


- Front wheel
- Disc cover (Outer)
- Bolt (Caliper) ①

**2. Remove:**

- Retaining bolt ①
- Brake pads ②



NOTE:
Replace pads as a set if either is found to be worn to the wear limit.

 **Brake Pad Wear Limit:**
1.0 mm (0.04 in)

3. Install:
- Pads (New) ①
 - Shim ②
 - Retaining bolt ③

NOTE:
Be sure to install the shim ② at piston side.

 **Retaining Bolt:**
18 Nm (1.8 m · kg, 13 ft · lb)

4. Install:
- Disc cover (Outer) ①
 - Front wheel

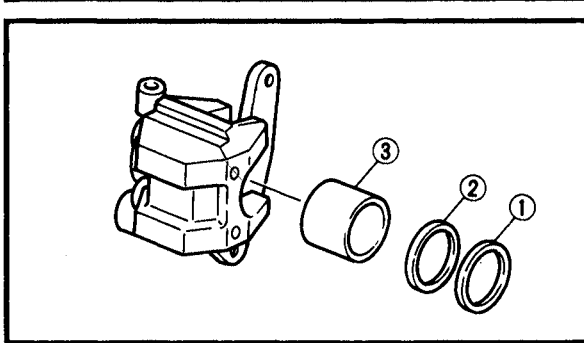
 **Nut (Wheel Panel):**
45 Nm (4.5 m · kg, 32 ft · lb)

NOTE:
Install the disc cover (Outer) ① with punched burrs ② on the hub side.

CALIPER

Caliper Removal

1. Remove:
- Front wheel
 - Disc cover (Outer)
 - Brake hose ①
 - Drain the brake fluid.
 - Bolt (Caliper) ②
 - Disc cover (Inner)
 - Brake pads
 - Pad spring



Caliper Disassembly

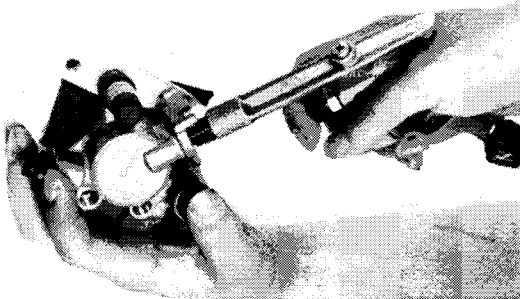
1. Remove:

- Dust seal ①
- Piston seal ②
- Piston ③

Use compressed air and proceed carefully.

⚠ WARNING

- Cover piston with rag and use extreme caution when expelling piston from cylinder.
- Never attempt to pry out piston.



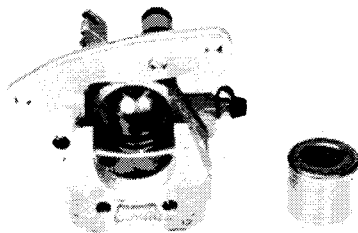
Caliper piston removal steps:

- Insert the rag into the caliper to lock the piston.
- Blow compressed air into the hose joint opening to force out the piston from the caliper body.

Inspection

1. Inspect:

- Piston
Rust/Wear Replace.
- Caliper cylinder body
Wear/Scratches Replace.



Installation

1. Assemble:

- Brake caliper (s)
Reverse disassembly steps.

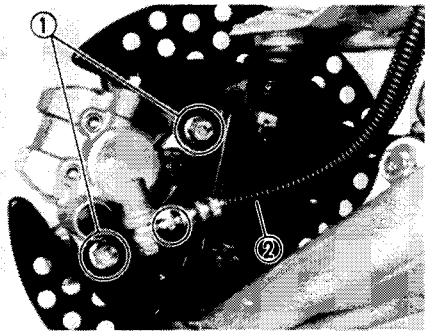
⚠ WARNING

- All internal parts should be cleaned in new brake fluid only.
- Internal parts should be lubricated with brake fluid when installed.




Recommend Brake Fluid:
DOT #4 If DOT #4 is not available,
#3 can be used.

- Replace the dust seal, piston seal and clip whenever a caliper is disassembled.




2. Tighten:

- Bolt (Caliper) ①

	<p>Bolt (Caliper): 28 Nm (2.8 m · kg, 20 ft · lb)</p>
---	--

- Bolt (Brake hose) ②

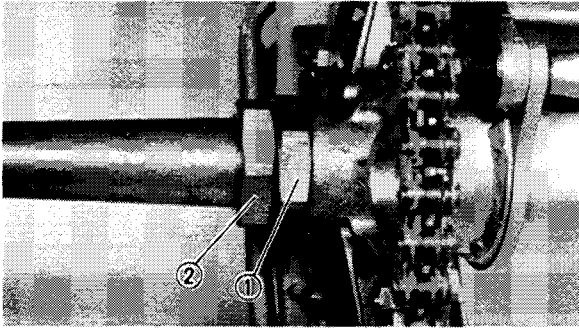
	<p>Bolt (Brake Hose): 27 Nm (2.7 m · kg, 19 ft · lb)</p>
---	---

3. Bleed the air completely from the brake system.

4. Install:

- Disc cover (Outer)
- Front wheel

	<p>Nut (Wheel Panel): 45 Nm (4.5 m · kg, 32 ft · lb)</p>
---	---



REAR AXLE

The following shows only the difference(s) from the YFZ350T.

INSTALLATION

1. Tighten:

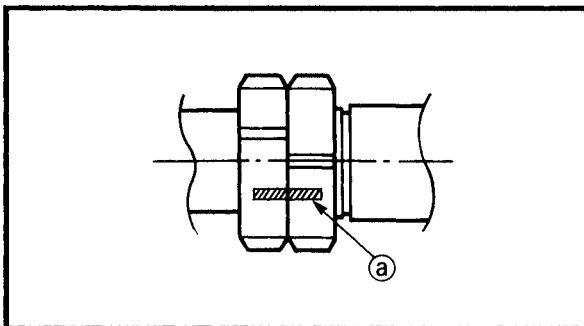
- Nuts (Rear axle) ①, ②



Nuts tightening steps:

NOTE:

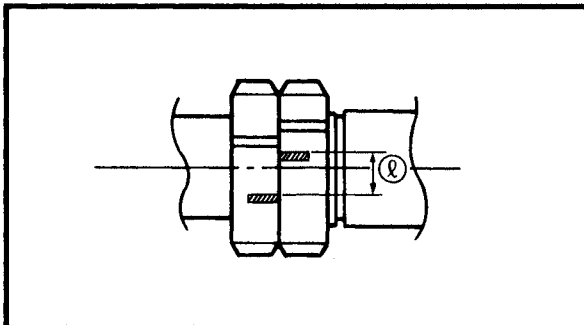
Before tightening the nuts, apply the LOCTITE® to the thread portion of the rear axle.


- Finger tighten the inside nut ② while checking the ring gear engagement.
- Tighten the inside nut with Rear Axle Nut Wrench to specification while holding the rear axle.




	Rear Axle Nut Wrench: YM-37132
	Inside Nut (First Tightening): 55 Nm (5.5 m • kg, 40 ft • lb)

- Hold the inside nut ② and tighten the outside nut ① with Rear Axle Nut Wrench to specification.



	Outside Nut: 190 Nm (19.0 m • kg, 140 ft • lb)
---	--

- Draw the line ③ on inside and outside nut.
- Hold the outside nut ① and tighten BACK the inside nut ② with Rear Axle Nut Wrench to specification.

	Inside Nut (Final Tightening): 240 Nm (24.0 m • kg, 170 ft • lb)
---	--

- Measure the distance ④ between lines. If distance ④ is less than 3 mm (0.12 in), retighten BACK the inside nut.



YAMAHA MOTOR CO., LTD.

IWATA, JAPAN

PRINTED IN U.S.A.



YAMAHA

YFZ350T

Service Manual

YFZ350T

SERVICE MANUAL

©1986 by Yamaha Motor Corporation, U.S.A.

1st Edition, August 1986

**All rights reserved. Any reprinting or
unauthorized use without the written
permission of Yamaha Motor Corporation
U.S.A. is expressly prohibited.**

Printed in U.S.A.

P/N LIT-11616-05-87

NOTICE

This manual was written by the Yamaha Motor Company primarily for use by Yamaha dealers and their qualified mechanics. It is not possible to put an entire mechanic's education into one manual, so it is assumed that persons using this book to perform maintenance and repairs on Yamaha machines have a basic understanding of the mechanical concepts and procedures inherent in machine repair technology. Without such knowledge, attempted repairs or service to this model may render it unfit to use and/or unsafe.

Yamaha Motor Company, Ltd. is continually striving to improve all models manufactured by Yamaha. Modifications and significant changes in specifications or procedures will be forwarded to all Authorized Yamaha dealers and will, where applicable, appear in future editions of this manual.

TECHNICAL PUBLICATIONS
SERVICE DIVISION
MOTORCYCLE OPERATIONS
YAMAHA MOTOR CO., LTD.

HOW TO USE THIS MANUAL

PARTICULARLY IMPORTANT INFORMATION

This material is distinguished by the following notation.

NOTE: A NOTE provides key information to make procedures easier or clearer.

CAUTION: A CAUTION indicates special procedures that must be followed to avoid damage to the machine.

WARNING: A WARNING indicates special procedures that must be followed to avoid injury to a machine operator or person inspecting or repairing the machine.

MANUAL FORMAT

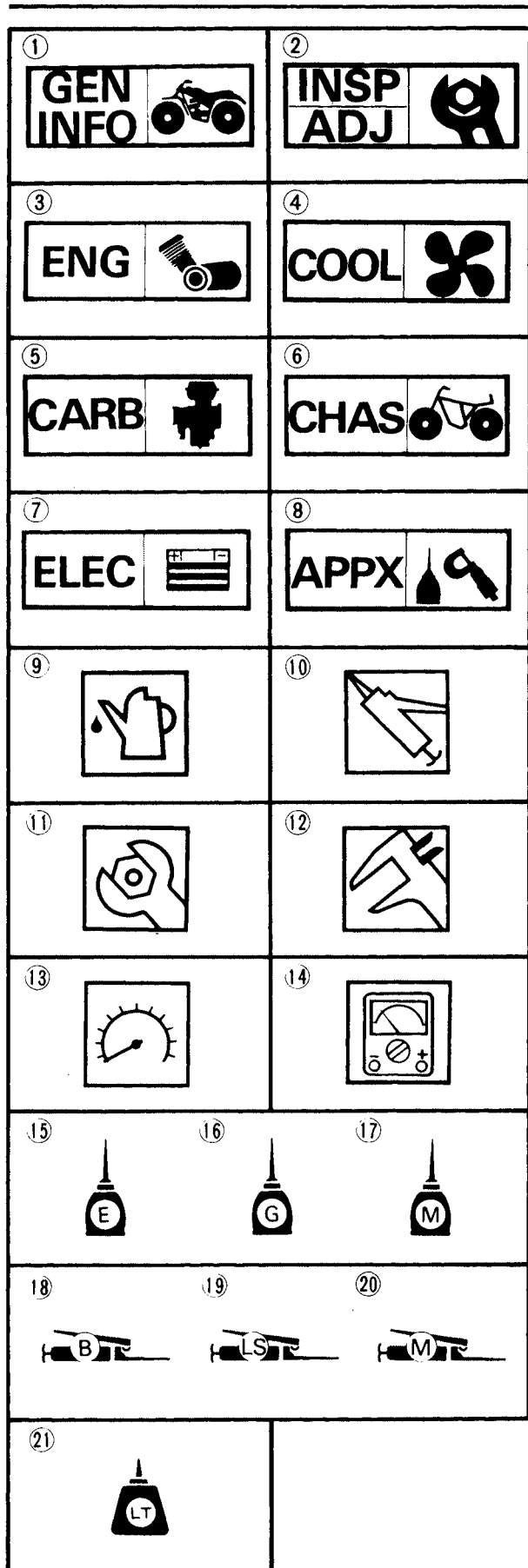
All of the procedures in this manual are organized in a sequential, step-by-step format. The information has been compiled to provide the mechanic with an easy to read, handy reference that contains comprehensive explanations of all disassembly, repair, assembly, and inspection operations.

In this revised format, the condition of a faulty component will precede an arrow symbol and the course of action required will follow the symbol, e.g.,

- Bearings
Pitting/Damage → Replace.

EXPLODED DIAGRAM

Each chapter provides exploded diagrams before each disassembly section for ease in identifying correct disassembly and assembly procedures.



ILLUSTRATED SYMBOLS (Refer to the illustration)

Illustrated symbols ① to ⑧ are designed as thumb tabs to indicate the chapter's number and content.

- ① General information
- ② Periodic inspection and adjustment
- ③ Engine
- ④ Cooling system
- ⑤ Carburetion
- ⑥ Chassis
- ⑦ Electrical
- ⑧ Appendices







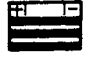

Illustrated symbols ⑨ to ⑭ are used to identify the specifications appearing in the text.

- ⑨ Filling fluid
- ⑩ Lubricant
- ⑪ Tightening
- ⑫ Wear limit, clearance
- ⑬ Engine speed
- ⑭ Ω, V, A

Illustrated symbols ⑮ to ㉑ in the exploded diagram indicate grade of lubricant and location of lubrication point.

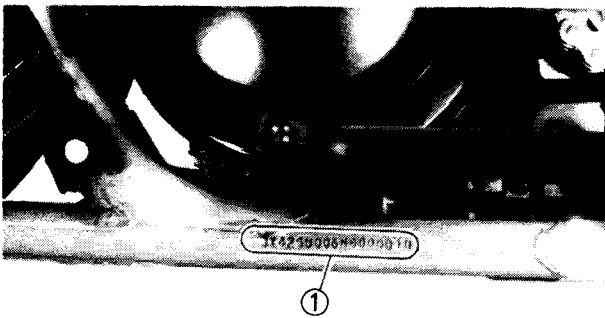
- ⑮ Apply engine oil
- ⑯ Apply gear oil
- ⑰ Apply molybdenum disulfide oil
- ⑱ Apply wheel bearing grease
- ⑲ Apply lightweight lithium-soap base grease
- ⑳ Apply molybdenum disulfide grease
- ㉑ Apply locking agent (LOCTITE®)

INDEX

GENERAL INFORMATION	 GEN INFO 1
PERIODIC INSPECTIONS AND ADJUSTMENTS	 INSP ADJ 2
ENGINE OVERHAUL	 ENG 3
COOLING SYSTEM	 COOL 4
CARBURETION	 CARB 5
CHASSIS	 CHAS 6
ELECTRICAL	 ELEC 7
APPENDICES	 APPX 8

CHAPTER 1 GENERAL INFORMATION

MACHINE IDENTIFICATION	1-1
VEHICLE IDENTIFICATION NUMBER	1-1
ENGINE SERIAL NUMBER	1-1
IMPORTANT INFORMATION	1-2
ALL REPLACEMENT PARTS	1-2
GASKETS, OIL SEALS AND O-RINGS.....	1-2
LOCK WASHERS/PLATES AND COTTER PINS	1-2
BEARINGS AND OIL SEALS	1-2
CIRCLIPS.....	1-3
SPECIAL TOOLS	1-3
FOR TUNE-UP	1-3
FOR ENGINE SERVICE.....	1-4
FOR CHASSIS SERVICE	1-5
FOR ELECTRICAL COMPONENTS.....	1-5

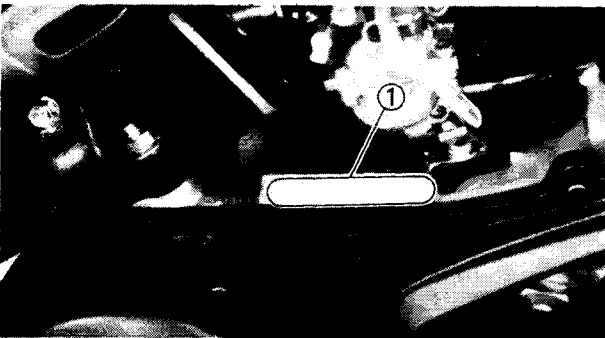


**GENERAL
INFORMATION**

**MACHINE IDENTIFICATION
VEHICLE IDENTIFICATION NUMBER**

The vehicle identification number ① is stamped into the left side of the lower pipe.

Starting Serial Number:
JY42GU00*HC000101



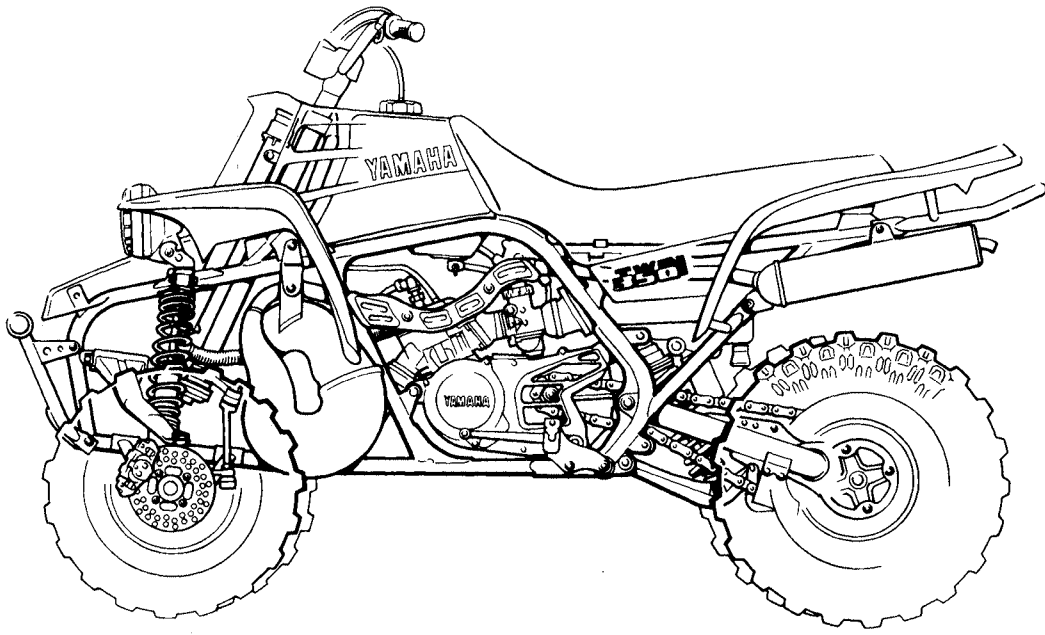
ENGINE SERIAL NUMBER

The engine serial number ① is stamped into the left side of the engine.

NOTE: _____
The first three digits of these numbers are for model identifications; the remaining digits are the unit production number.

Starting Serial Number:
YFZ350T2GU-000101

NOTE: _____
Designs and specifications are subject to change without notice.



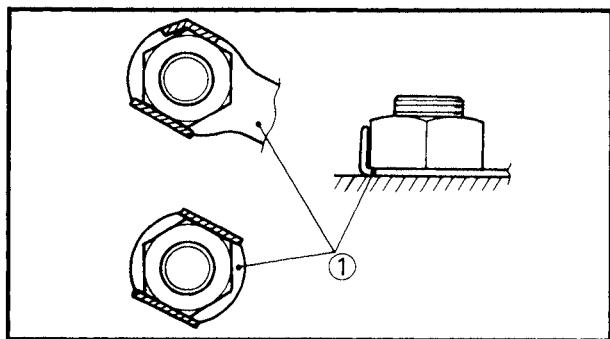
IMPORTANT INFORMATION

ALL REPLACEMENT PARTS

1. We recommend to use Yamaha genuine parts for all replacements. Use oil and/or grease recommended by Yamaha for assembly and adjustment.

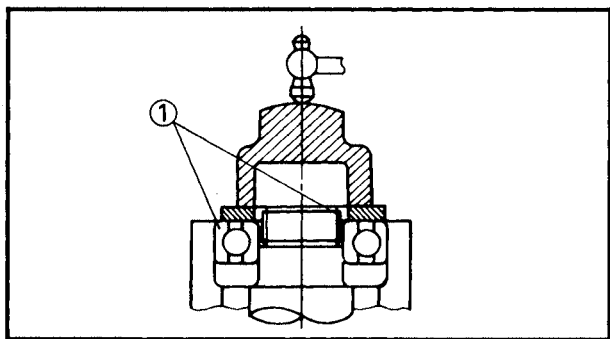
GASKETS, OIL SEALS AND O-RINGS

1. All gaskets, seals and O-rings should be replaced when an engine is overhauled. All gasket surfaces, oil seal lips, and O-rings must be cleaned.
2. Properly oil all mating parts and bearings during reassembly. Apply grease to the oil seal lips.



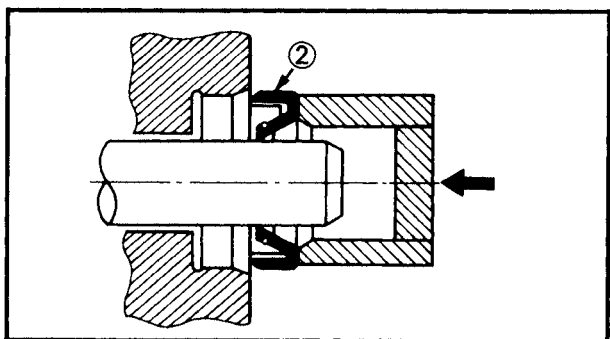
LOCK WASHERS/PLATES AND COTTER PINS

1. All lock washers/plates (1) and cotter pins must be replaced when they are removed. Lock tab(s) should be bent along the bolt for nut flat(s) after the bolt or nut has been properly tightened.



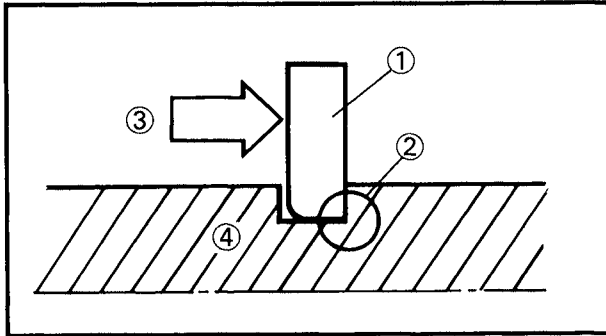
BEARINGS AND OIL SEALS

1. Install the bearing(s) (1) and oil seal(s) (2) with their manufacturer's marks or numbers facing outward. (In other words, the stamped letters must be on the side exposed to view.) When installing oil seal(s), apply a light coating of light-weight lithium base grease to the seal lip(s). Oil the bearings liberally when installing.



CAUTION:

Do not use compressed air to spin the bearings dry. This causes damage to the bearing surfaces.



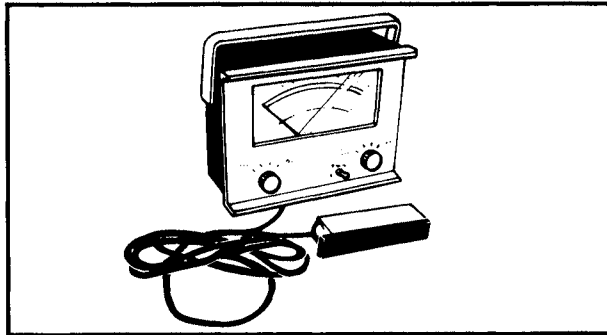
CIRCLIPS

1. All circlips should be inspected carefully before reassembly. Always replace piston pin clips after one use. Replace distorted circlips. When installing a circlip ①, make sure that the sharp-edged corner ② is positioned opposite to the thrust ③ it receives. See the sectional view.

④ Shaft

SPECIAL TOOLS

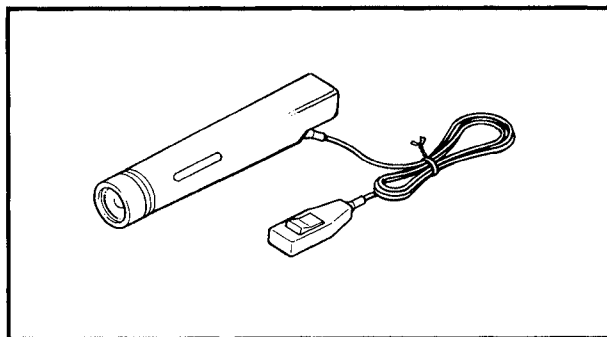
The proper special tools are necessary for complete and accurate tune-up and assembly. Using the correct special tool will help prevent damage caused by the use of improper tools or improvised techniques.



FOR TUNE-UP

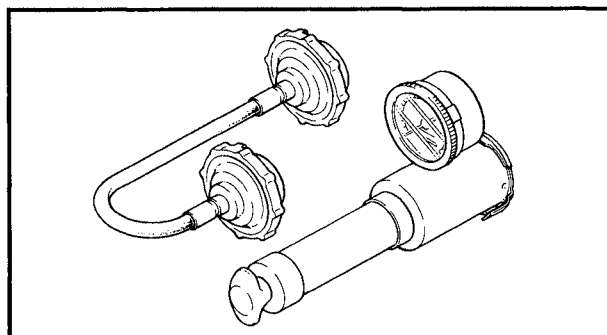
1. Inductive Tachometer
P/N. YU-08036

This tool is needed for detecting engine rpm.



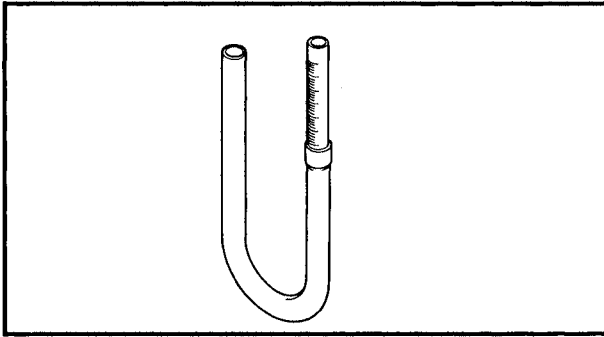
2. Inductive Timing Light
P/N. YM-33277

This tool is necessary for checking ignition timing.



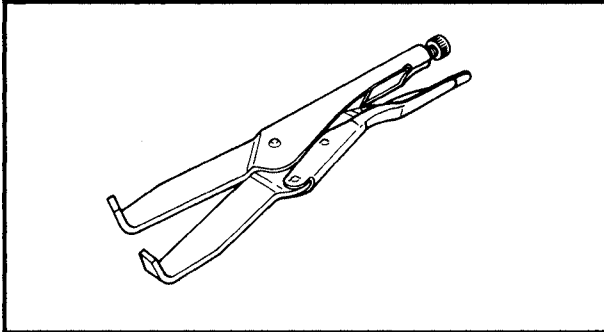
3. Cooling system Tester
P/N. YU-24460-01

This tester is needed for checking the cooling system.



4. Fuel Level Gauge
P/N. YM-01312

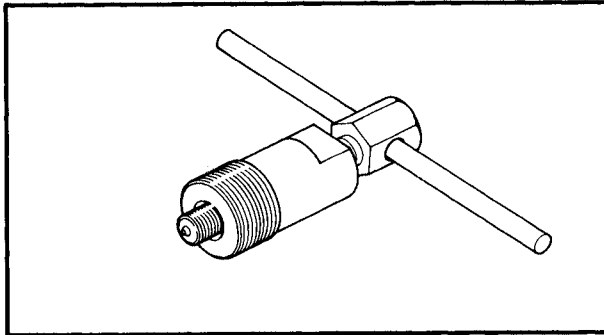
This gauge is used to measure the fuel level in the float chamber.



FOR ENGINE SERVICE

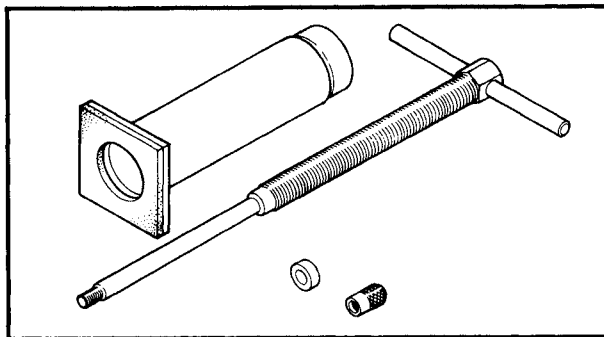
1. Universal Clutch Holder
P/N. YM-91042

This tool is used to hold the clutch when removing or installing the clutch boss locknut.



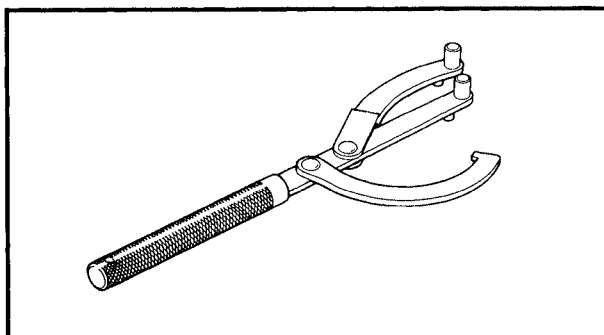
2. Flywheel Magneto Puller
P/N. YM-01189

This tool is used to remove the flywheel.



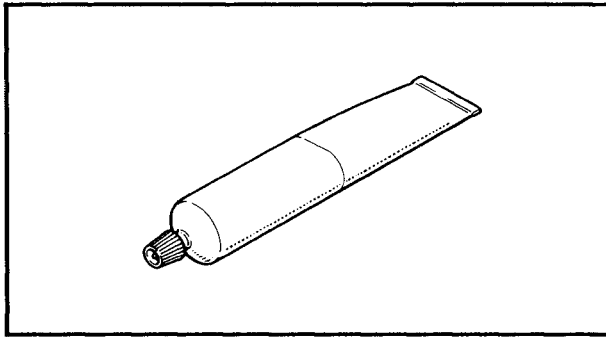
3. Piston Pin Puller
P/N. YU-01304

This tool is used to remove the piston pin.



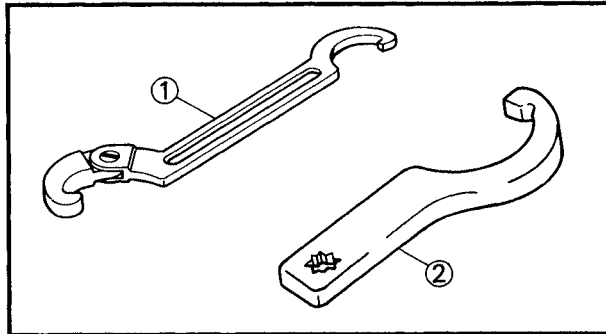
4. Rotor Holder
P/N. YU-01235

This tool is used when loosening or tightening the flywheel magneto securing bolt.



- 5. Yamabond No.4®
P/N. ACC-11001-30-00

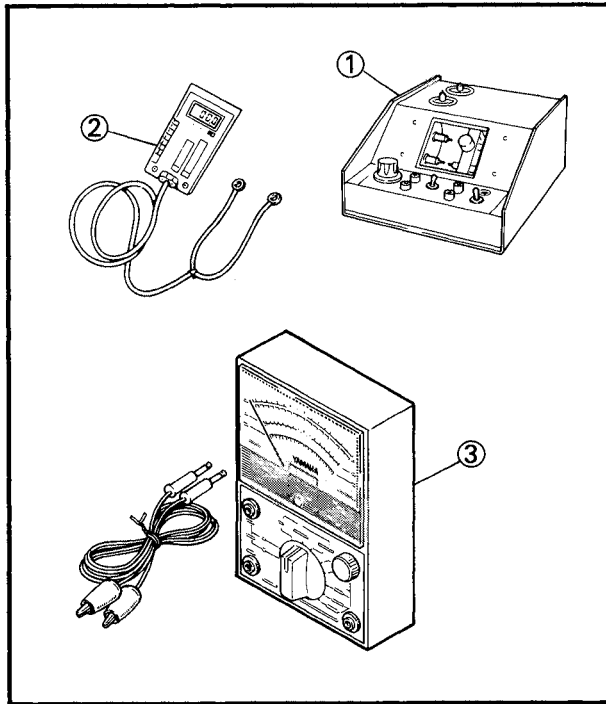
This sealant (bond) is used for crankcase mating surfaces, etc.



FOR CHASSIS SERVICE

- 1. Ring Nut Wrench
P/N. YU-01268 ①
YU-33975 ②

These tools are used to loosen and tighten the ring nut.



FOR ELECTRICAL COMPONENTS

- 1. Electro Tester
P/N YU-33260 — ①

This instrument is necessary for checking the ignition system components.

- 2. Pocket Tester
P/N YU-33263 — ② or
P/N YU-03112 — ③

This instrument is invaluable for checking the electrical system.

CHAPTER 2.

PERIODIC INSPECTIONS AND ADJUSTMENTS

MAINTENANCE INTERVALS	2-1
ENGINE	2-3
CARBURETOR SYNCHRONIZATION	2-3
IDLE SPEED ADJUSTMENT	2-4
THROTTLE LEVER ADJUSTMENT	2-6
SPEED LIMITER ADJUSTMENT	2-6
FUEL LINE INSPECTION	2-7
AIR FILTER CLEANING	2-7
EXHAUST SYSTEM INSPECTION	2-9
TRANSMISSION OIL LEVEL INSPECTION	2-9
TRANSMISSION OIL REPLACEMENT	2-10
RADIATOR HOSE INSPECTION	2-10
COOLANT LEVEL INSPECTION	2-11
COOLANT REPLACEMENT	2-12
CLUTCH ADJUSTMENT	2-15
CHASSIS	2-18
FUEL COCK CLEANING	2-18
FRONT BRAKE LEVER ADJUSTMENT	2-18
REAR BRAKE PEDAL ADJUSTMENT	2-19
BRAKE PADS INSPECTION	2-19
BRAKE FLUID INSPECTION	2-20
PARKING BRAKE ADJUSTMENT	2-20
DRIVE CHAIN SLACK ADJUSTMENT	2-21
DRIVE CHAIN LUBRICATION	2-23
DRIVE CHAIN AND SPROCKETS INSPECTION	2-24
CHAIN TENSIONER AND CHAIN GUIDE INSPECTION	2-25
STEERING SYSTEM INSPECTION	2-25
CABLE INSPECTION AND LUBRICATION	2-26
FRONT AND REAR SHOCK ABSORBER ADJUSTMENT	2-27
LEVERS, PEDAL, ETC. LUBRICATION	2-31
FRONT ARMS AND REAR ARM PIVOTS LUBRICATION	2-31
TIRES CHECK	2-32
WHEELS CHECK	2-34
ELECTRICAL	2-34
IGNITION TIMING CHECK	2-34
SPARK PLUG INSPECTION	2-35
HEADLIGHT BULB REPLACEMENT	2-36
HEADLIGHT BEAM ADJUSTMENT	2-37



MAINTENANCE INTERVALS

PERIODIC INSPECTION AND ADJUSTMENT

MAINTENANCE INTERVALS

The following schedule is intended as a general guide to maintenance and lubrication. Bear in mind that such factors as weather, terrain, geographical location, and individual usage will alter the required maintenance and lubrication intervals.

Item	After break-in	Every 30 operation days	Every year	Remarks
TRANSMISSION Replace oil	●		●	Yamalube 4-cycle oil or SAE 10W30 SE motor oil
COOLING SYSTEM Check coolant leakage	●	●		Replace coolant every 2 years
SPARK PLUG Inspect and clean Replace if necessary	●	●		STD plug: B8ES or W24ES
AIR FILTER Clean and oil Replace if necessary	●	●		Use Foam air-filter oil
*CARBURETOR Inspect adjust and clean	●	●		
*FUEL LINE Check fuel hose for cracks or damage Replace if necessary		●		
THROTTLE OPERATION Inspect	●	●		
FRONT AND REAR BRAKE OPERATION Inspect and adjust free play if necessary	●	●		
FRONT AND REAR BRAKE FLUID Check fluid level and leakage	●	●		Fluid: DOT #4
*FRONT AND REAR BRAKE PAD Check pads wear Replace if necessary		●		
*CLUTCH Inspect free play and operation Adjust if necessary	●	●		
DRIVE CHAIN Lubricate, free play, alignment Replace if necessary	●	●		Use chain lube or SAE 30~50 motor oil Free play: 15 mm (0.59 in)
*DRIVE CHAIN GUARD AND ROLLERS Check wear and replace if necessary		●		Wear and alignment
*STEERING SYSTEM Inspect free play Clean and lube	●	●	●	Medium weight wheel bearing grease
*FRONT SUSPENSION Inspect and lubricate	●	●		Lithium base grease
*REAR SUSPENSION Inspect and lubricate	●	●		Lithium base grease

MAINTENANCE INTERVALS



Item	After break-in	Every 30 operation days	Every year	Remarks
TIRE, WHEELS Inspect air pressure, wheel run-out, and tire wear *Inspect bearings Replace bearings if necessary	●	●		Medium weight wheel bearing grease
THROTTLE, CONTROL CABLE Check routing and connection *Lubricate	●	●	●	Yamaha cable lube SAE 10W30 motor oil
OUTSIDE NUTS AND BOLTS Retighten	●	●		
FRAME Clean and inspect		●		
LIGHTING EQUIPMENT Inspect	●	●		

*It is recommended that these items be serviced by a Yamaha dealer.

NOTE: _____

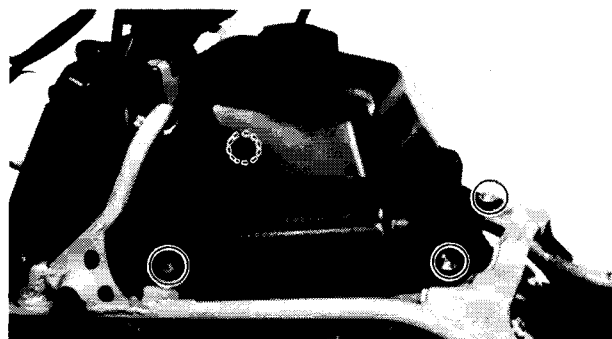
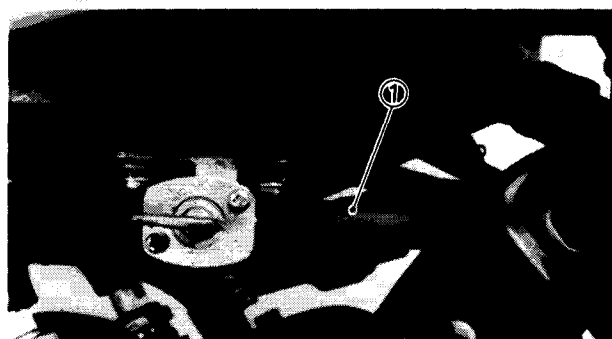
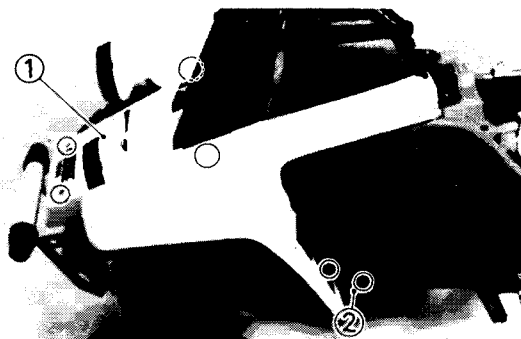
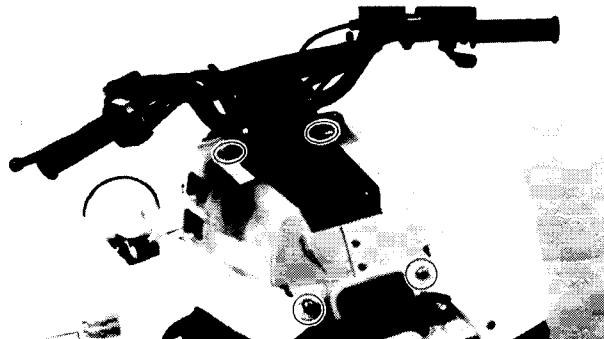
Brake fluid replacement:

1. When disassembling the master cylinder or caliper cylinder, replace the brake fluid. Normally check the brake fluid level and add the fluid as required.
2. On the inner parts of the master cylinder and caliper cylinder, replace the oil seals every two years.
3. Replace the brake hoses every four years, or if cracked or damaged.

Recommended brake fluid:

DOT #4

If DOT #4 is not available, #3 can be used.



ENGINE

CARBURETOR SYNCHRONIZATION

Carburetors must be adjusted to open and close simultaneously.

1. Remove:
 - Seat
 - Radiator cover

2. Remove:
 - Fuel tank cover

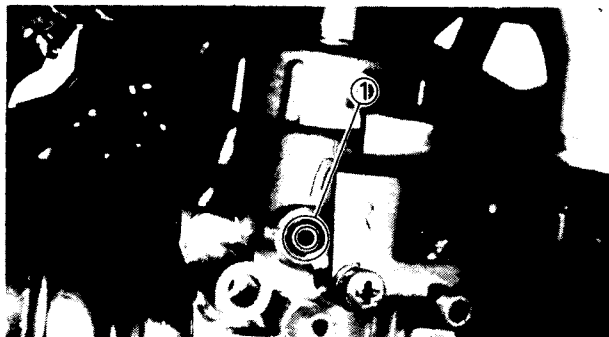
3. Remove:
 - Front fender ①
 - Front fender stay ②

4. Turn the fuel cock to the "OFF" position.
5. Disconnect:
 - Fuel hose ①

6. Remove:
 - Fuel tank

CARBURETOR SYNCHRONIZATION/ IDLE SPEED ADJUSTMENT

INSP
ADJ

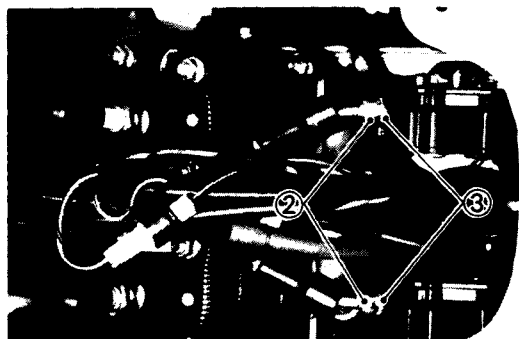


7. Check:

- Alignment marks ①
On the throttle valve.
Not aligned → Adjust the throttle cable.

Throttle cable adjustment steps:

- Snap the throttle lever a few times.
- Open the throttle lever until the alignment mark appears in the center of the window ① of the right carburetor.
- While keeping the throttle lever at this position, check the left carburetor window for the presence of the alignment mark at the same position.
- If not, adjust the throttle cable for the left carburetor.
- Loosen the locknut ②.
- Turn the adjuster ③ in or out until the alignment mark comes to the same position.
- Tighten the locknut.
- Finally check that both alignment marks appear at the same position at the same time.
- If not, repeat the above steps.



8. Check:

- Idle speed
Refer to "IDLE SPEED ADJUSTMENT" section.

9. Check:

- Throttle lever free play
Refer to "THROTTLE LEVER ADJUSTMENT" section.

10. Install:

- Fuel tank
- Front fender
- Fuel tank cover
- Radiator cover
- Seat

IDLE SPEED ADJUSTMENT

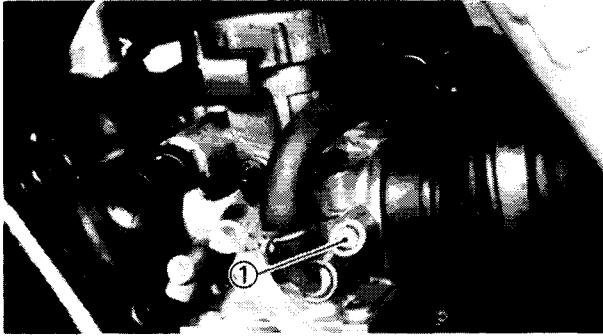
NOTE:

The carburetor synchronization should be set properly before adjusting the idle speed.

1. Remove:

- Seat

IDLE SPEED ADJUSTMENT



2. Adjust:
 - Idle speed

Idle speed adjustment steps:

- Turn in both pilot air screw ① until they lightly seat.

NOTE: _____

Right-hand carburetor pilot air screw located on inboard side of right carburetor.

- Turn out both pilot air screw to specification.

Pilot air screw (Turns out):

2.0

- Start the engine and let it warm up.
- Adjust the idle speed by turning the idle speed adjust screw ① in or out until the specific engine speed is obtained.

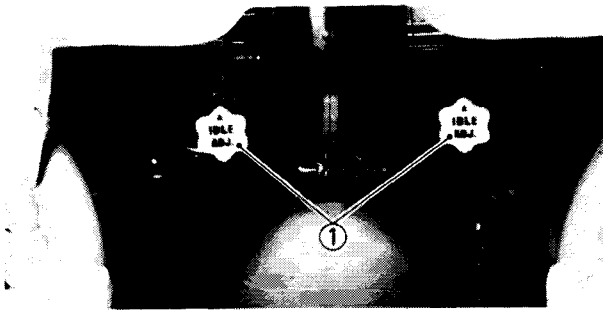


Engine Idle Speed:

1,450 ~ 1,550 r/min

NOTE: _____

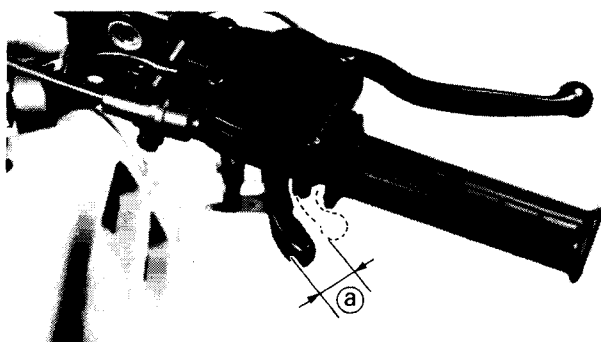
- Idle speed adjust screws were preset at the factory. When adjusting idle speed, turn the right hand and left hand idle speed adjust screws in the same extent, or synchronization will be out.
- The pilot air screws and idle speed adjust screws are separate adjustments but they must be adjusted at the same time to achieve optimum operating condition at engine idle speeds.



3. Install:
 - Seat
4. Check:
 - Throttle lever free play
Refer to "THROTTLE LEVER ADJUSTMENT" section.

THROTTLE LEVER ADJUSTMENT/ SPEED LIMITER ADJUSTMENT

INSP
ADJ



THROTTLE LEVER ADJUSTMENT

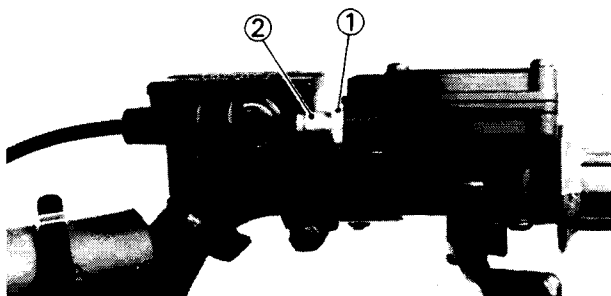
NOTE:

Before adjusting the throttle lever free play, the carburetor synchronization should be set properly.

1. Check:
 - Throttle lever free play **a**Out of specification → Adjust.



Throttle Lever Free Play **a:**
4 ~ 6 mm (0.16 ~ 0.24 in)



2. Adjust:
 - Throttle lever free play

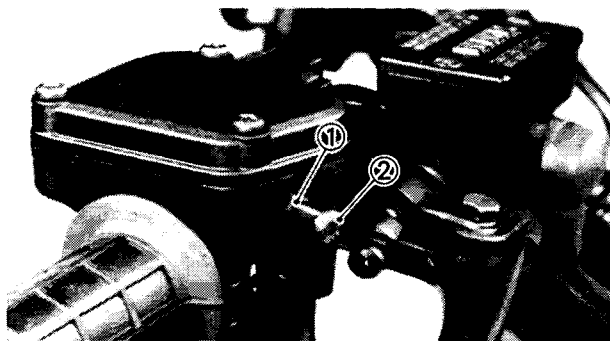
Throttle lever free play adjustment steps:

- Loosen the locknut **1**.
- Turn the adjuster **2** clockwise or counter-clockwise until proper free play is attained.
- Tighten the locknut.

SPEED LIMITER ADJUSTMENT

The speed limiter keeps the carburetor throttle from becoming full-open even when the throttle grip is turned to a maximum. Screwing in the adjuster stops the engine speed from increasing.

1. Adjust:
 - Speed limiter length



Speed limiter length adjustment steps:

- Loosen the locknut **1**.
- Turn the adjuster **2** clockwise or counter-clockwise until proper length is attained.

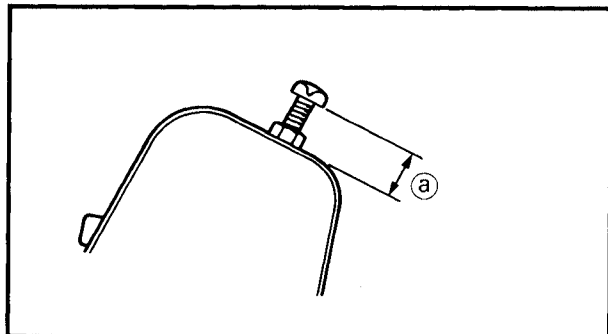


Speed Limiter Length **a:**
12 mm (0.47 in)

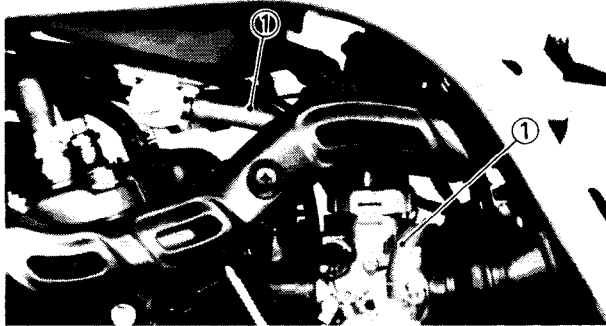
- Tighten the locknut.

WARNING:

- Particularly for a beginner rider, the speed limiter should be screwed in completely. Screw it out little by little as his riding technique improves. Never remove the speed limiter from the outset.

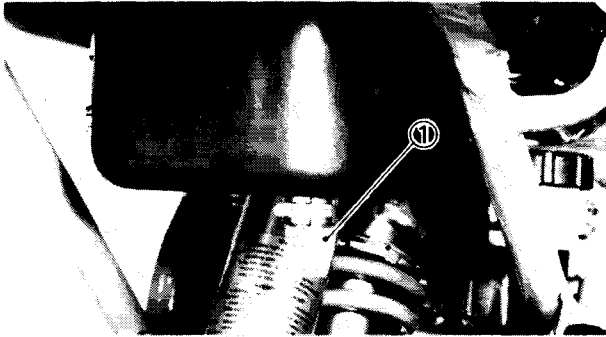


•For proper throttle lever operation do not turn out the adjuster more than 12 mm (0.47 in). Also adjust the throttle lever free play always to 4~6 mm (0.16~0.24 in).



FUEL LINE INSPECTION

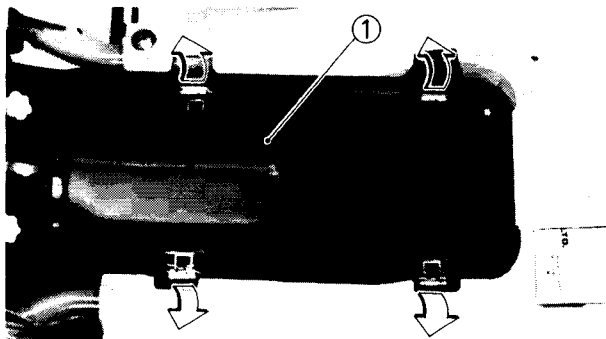
1. Inspect:
 - Fuel hoses ①
 - Cracks/Damage → Replace.



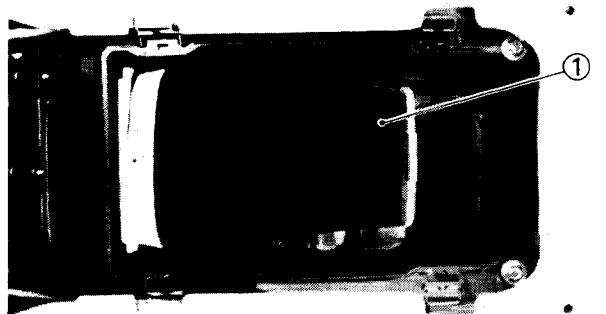
AIR FILTER CLEANING

NOTE:

There is a check hose ① at the bottom of the air filter case. If dust and/or water collects in this hose, clean the air filter element and air filter case.



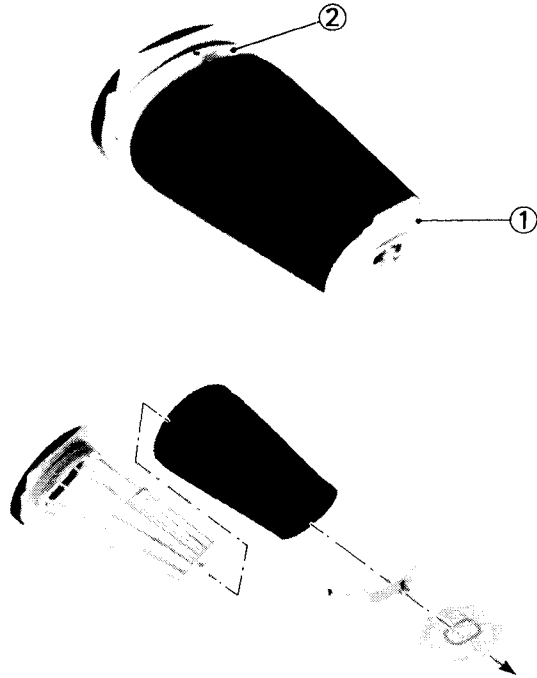
1. Remove:
 - Seat
 - Filter case ①



2. Remove:
 - Air filter ①

CAUTION:

The engine should never be run without the air filter element; excessive piston and/or cylinder wear may result.



3. Remove:
 - Element plate ①
From the guide.
 - Element holder ②

4. Remove:
 - Air filter element
5. Clean:
 - Air filter element
Clean it with solvent.

NOTE: _____
After cleaning, remove the remaining solvent by squeezing the element.

CAUTION: _____
Do not twist the filter element when squeezing the filter element.

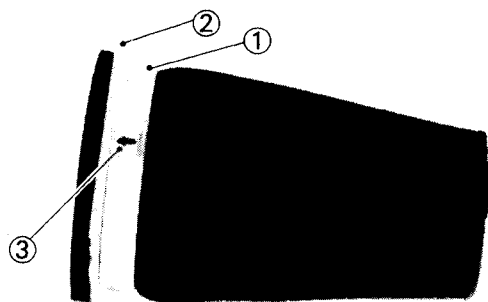
WARNING: _____
Never use low flash point solvents such as gasoline to clean the air filter element. Such solvent may lead to a fire or explosion.

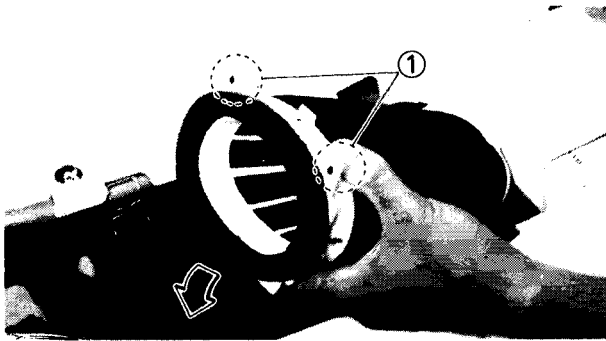
6. Inspect:
 - Element
Damage → Replace.
7. Apply:
 - SAE 10W30 motor oil
8. Squeeze out the excess oil.

NOTE: _____
The element should be wet but not dripping.

9. Apply:
 - All-purpose grease
To the air filter seat.
10. Install:
 - Air filter element
 - Element holder ①
 - Element plate

NOTE: _____
The arrow mark ③ on the element holder ① must point to the element guide ②.

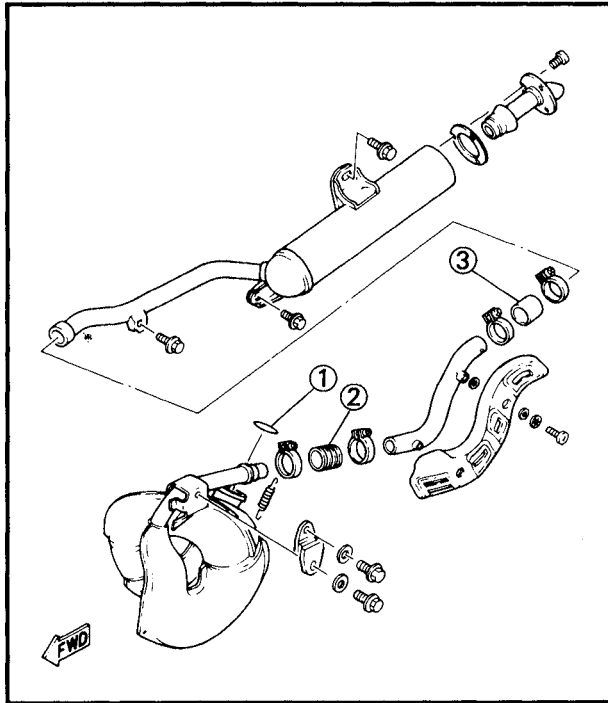




11. Install:
- Air filter

NOTE:

The arrow mark ① on the air filter guide should point to the upward of the air filter.



EXHAUST SYSTEM INSPECTION

1. Inspect:
- O-ring (Exhaust pipe) ①
 - Joint (Exhaust pipe) ②
 - Joint (Silencer) ③
- Damage → Replace.
Exhaust gas leakage → Repair.

TRANSMISSION OIL LEVEL INSPECTION

1. Inspect:
- Transmission oil level
- Oil level low → Add sufficient oil.

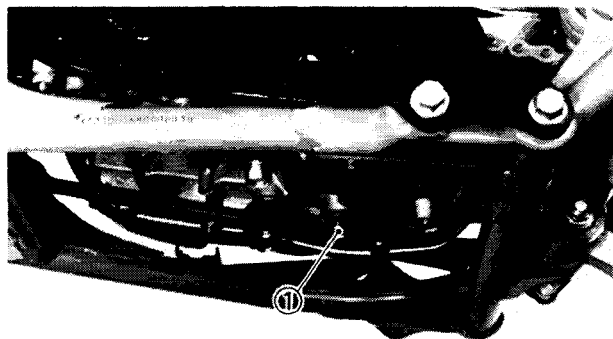


Transmission oil level inspection steps:

- Place the machine on a level place.
- Warm up the engine for several minutes, and stop it.
- Screw the dipstick ① completely out, and then just rest the dipstick in the hole.
- Pull up the dipstick, and inspect the oil level whether or not it is between maximum ② and minimum level ③.
- If the level is lower, add the oil up to the proper level.

TRANSMISSION OIL REPLACEMENT/ RADIATOR HOSE INSPECTION

INSP
ADJ



TRANSMISSION OIL REPLACEMENT

1. Place the machine on a level place.
2. Warm up the engine for several minutes, and stop it.
3. Place an oil pan under the engine.
4. Remove:
 - Dip stick
 - Drain plug ①Drain the transmission oil.
5. Inspect:
 - Gasket (Drain plug)Damage → Replace.
6. Tighten:
 - Drain plug



Drain Plug:

20 Nm (2.0 m•kg, 14 ft•lb)

7. Fill:
 - Crankcase



Recommended Oil:

SAE 10W30 Type SE Motor Oil

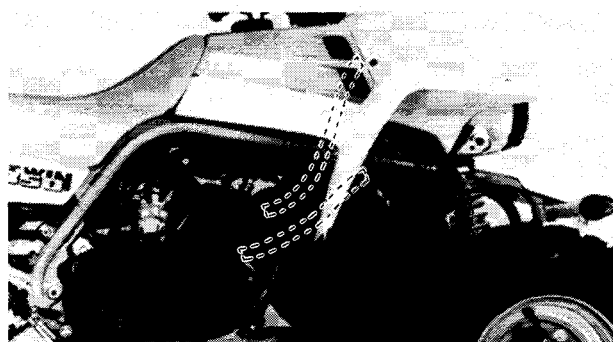
Periodic Oil Change:

1.5 L (1.3 Imp qt, 1.6 US qt)

CAUTION:

Do not allow foreign material to enter the crankcase.

8. Install:
 - Dipstick
9. Inspect:
 - Oil leaks
 - Oil level



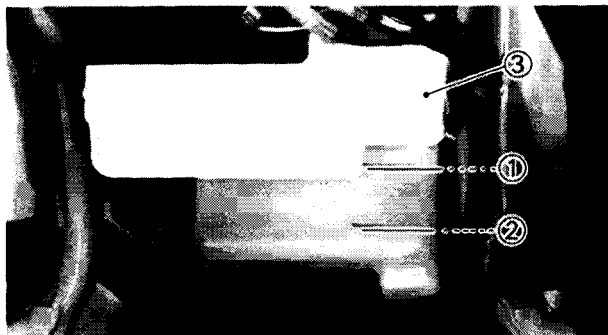
RADIATOR HOSE INSPECTION

1. Inspect:
 - Radiator hoses ①Crack/Damage/Coolant leakage → Repair or replace.
2. Inspect:
 - Cylinder
 - Crankcase coverCoolant leakage → Repair or replace.

COOLANT LEVEL INSPECTION

WARNING:

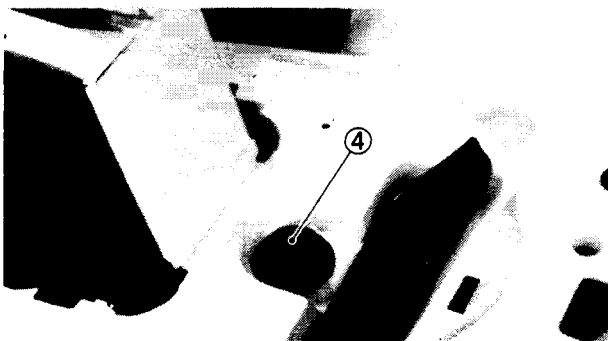
Do not remove the radiator cap when the engine and radiator are hot. Scalding hot fluid and steam may be blown out under pressure, which could cause serious injury. When the engine has cooled, open the radiator cap by the following procedure: Place a thick rag, like a towel, over the radiator cap, slowly rotate the cap counterclockwise to the detent. This procedure allows any residual pressure to escape. When the hissing sound has stopped, press down on the cap while turning counterclockwise and remove it.




1. Inspect:

- Coolant level
Coolant level low → Add sufficient coolant.

- ① "FULL" level
- ② "LOW" level
- ③ Reservoir tank
- ④ Reservoir tank cap



	<p>Recommended Coolant: High Quality Ethylene Glycol Anti-freeze Containing Anti-corrosion for Aluminum Engine Inhibitors Coolant and Water (soft water) Mixed Ratio: 50% / 50%</p> <p>Total Amount: 2.5 L (2.20 Imp qt, 2.64 US qt)</p> <p>Reservoir Tank Capacity: 0.28 L (0.25 Imp qt, 0.30 US qt)</p>
---	---

CAUTION:

Hard water or salt water is harmful to the engine parts. You may use boiled water or distilled water, if you can't get soft water.



Handling notes of coolant

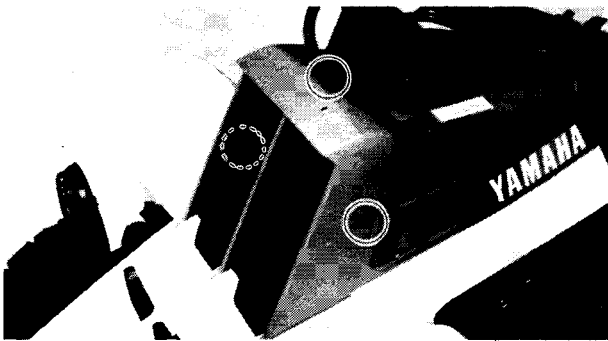
The coolant is harmful so it should be handled with special care.

- When coolant splashes to your eye.
Thoroughly wash your eye with water and see your doctor.
- When coolant splashes to your clothes.
Quickly wash it away with water and then with soap.
- When coolant is swallowed.
Quickly make him vomit and take him to a doctor.

COOLANT REPLACEMENT

CAUTION:

Replace the coolant every two years. Before replacing, remove the radiator cap and check the color of the coolant and mineral deposits in the radiator. Flush the coolant system, as required.

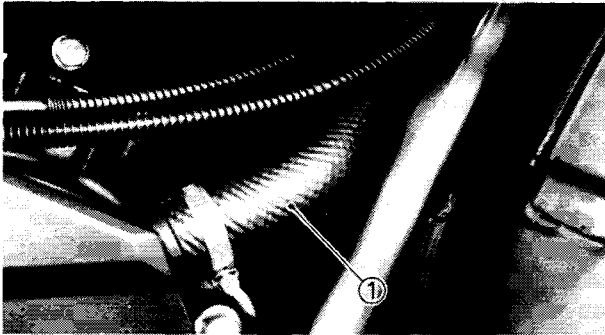
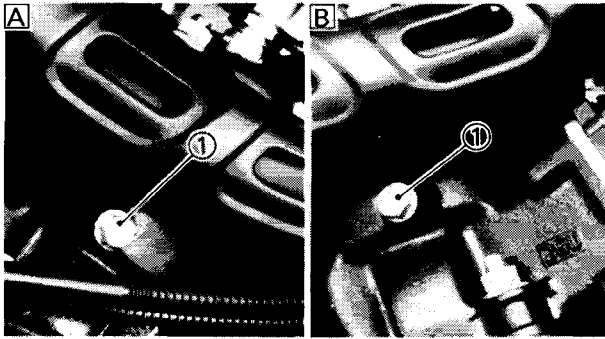


1. Remove:
 - Radiator cover



2. Remove:
 - Radiator cap ①

COOLANT REPLACEMENT



3. Remove:
 - Drain bolts ①


- A** Left side
B Right side

4. Remove:
 - Inlet hose ①
5. Drain:
 - Coolant (completely)

NOTE: _____
Thoroughly flush the cooling system with clean tap water.

CAUTION: _____
Take care so that coolant does not splash to painted surfaces. If splashes, wash it away with water.

6. Inspect:
 - Drain bolt gaskets
Damage → Replace.
7. Tighten:
 - Drain bolts

	Drain Bolt: 14 Nm (1.4 m•kg, 10 ft•lb)
---	--

8. Connect:
 - Inlet hose

NOTE: _____
Connect the inlet hose with its white painted mark ① upward.

9. Fill:
 - Coolant
Fill the coolant into the radiator until the radiator is full.



Recommended Coolant:
High Quality Ethylene Glycol
Anti-Freeze Containing Anti-
Corrosion for Aluminum Engine
Inhibitors

Coolant and Water Mixed Ratio:
50%/50%

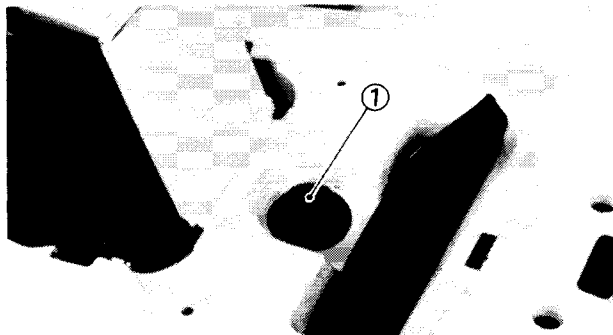
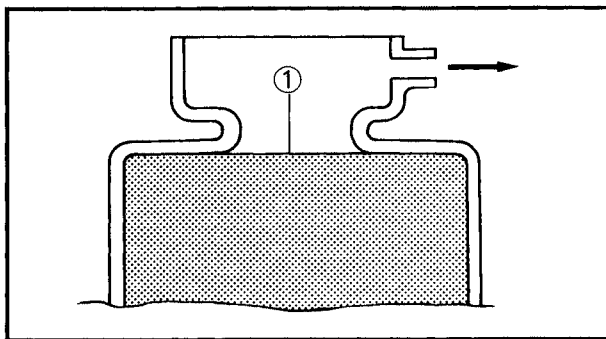
Total Amount:
2.5 L (2.20 Imp qt, 2.64 US qt)

Reservoir Tank Capacity:
0.28 L (0.25 Imp qt, 0.30 US qt)

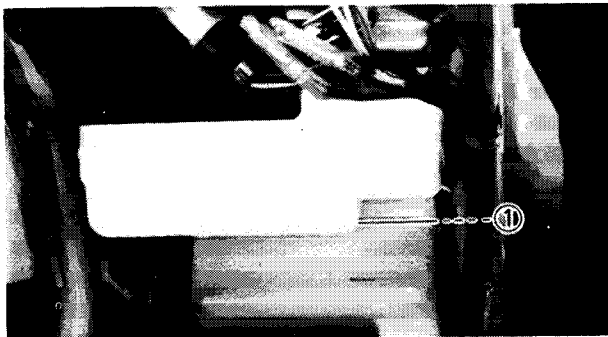
From "LOW" to "FULL" Level:
0.07 L (0.06 Imp qt, 0.07 US qt)

CAUTION:

- Hard water or salt water is harmful to the engine. You may use distilled water if you can't get soft water.
- Do not mix more than one type of ethylene glycol antifreeze containing corrosion for aluminum engine inhibitors.



10. Install:
 - Radiator cap
11. Run the engine several minutes.
12. Inspect:
 - Coolant level ① in the radiator
Coolant level low → Fill.
Fill the coolant until it reaches the top of the radiator.
13. Remove:
 - Seat
 - Reservoir tank cap ①



14. Fill:
- Coolant
- Fill the coolant in the reservoir tank until it reaches the "FULL" level line ① of the reservoir tank.

15. Install:
- Reservoir tank cap
 - Seat

16. Inspect:
- Cooling system
- Coolant leaks → Repair.

CAUTION:

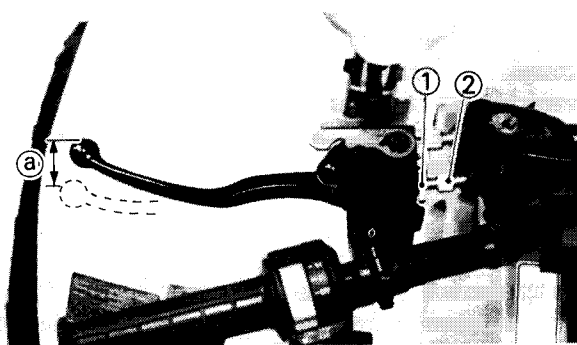
Always check coolant level, and check for coolant leakage before starting engine.

17. Install:
- Radiator cover

CLUTCH ADJUSTMENT

Clutch Lever Free Play Adjustment

1. Loosen:
- Adjuster locknut ①
2. Adjust:
- Free play ①
- Turn the adjuster ② in or out until correct free play is obtained.

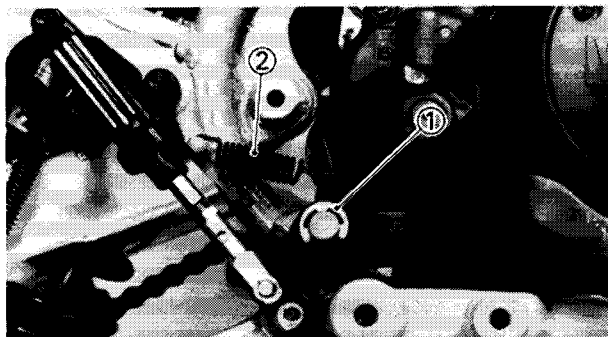


Clutch Lever Free Play:
10 ~ 15 mm (0.4 ~ 0.6 in)

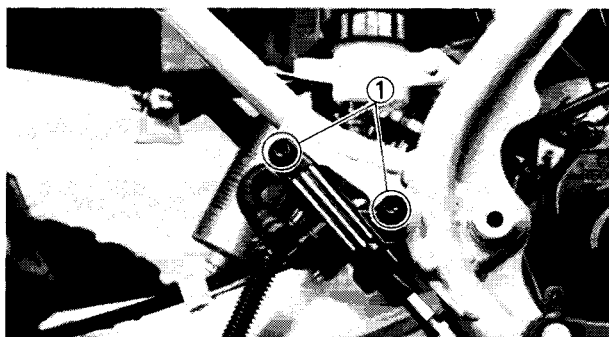
3. Tighten:
- Locknut

Mechanism Adjustment

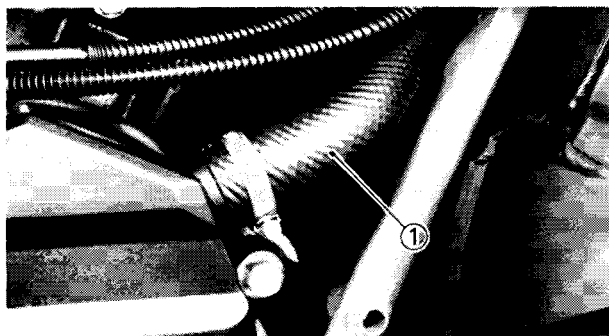
1. Loosen:
- Clutch cable
2. Remove:
- Footrest (Right)
 - Circlip ①
 - Spring ②



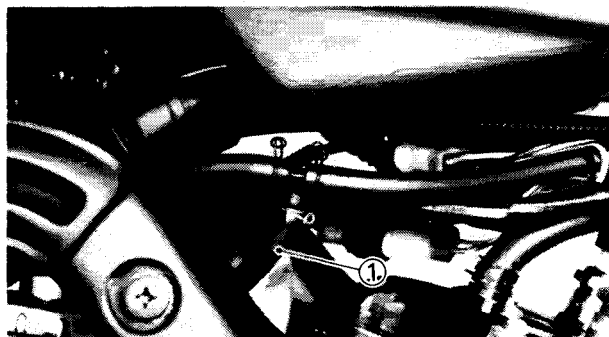
CLUTCH ADJUSTMENT



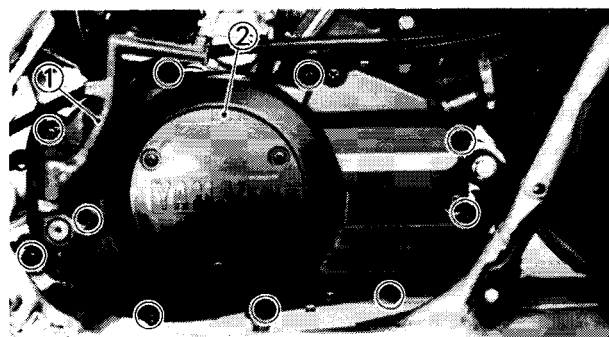
3. Remove:
 - Bolts ① (Rear brake master cylinder)
 - Rear brake pedal



4. Drain:
 - Transmission oil
Refer to "TRANSMISSION OIL REPLACEMENT" section.
 - Coolant
Refer to "COOLANT REPLACEMENT" section.



5. Disconnect:
 - Radiator hose ①

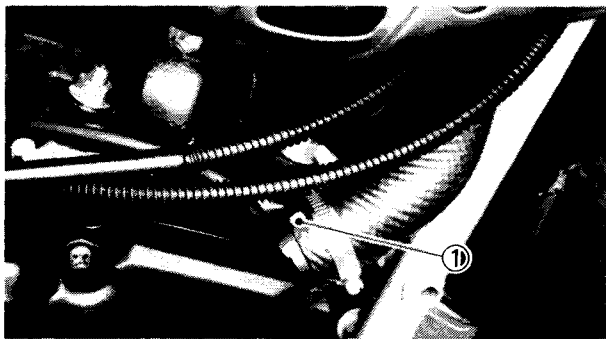
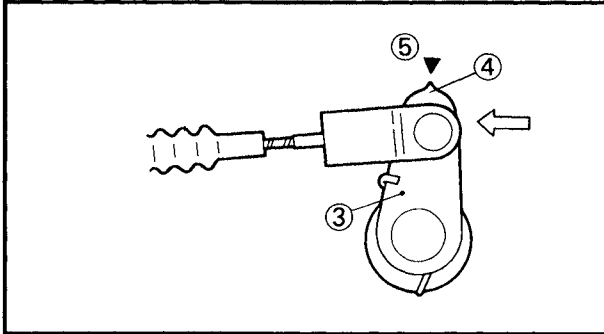
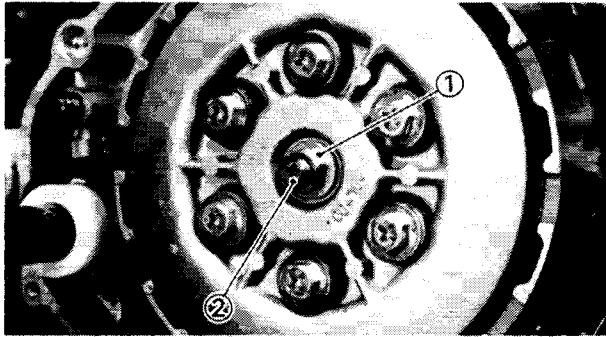


6. Disconnect:
 - Breather hose ①

7. Remove:
 - Kick crank ①
 - Crankcase cover (Right) ②
 - Dowel pin



CLUTCH ADJUSTMENT



8. Loosen:

- Locknut ①

9. Adjust:

- Free play

Move the push lever ③ toward the front with your finger until it stops. With the push lever in this position, turn the adjuster ② to align the mark ④ on the end of the push lever with the mark ⑤ (protuberance) on the crankcase.

10. Tighten:

- Locknut

	Locknut: 8 Nm (0.8 m•kg, 5.8 ft•lb)
--	--

11. Install:

- Dowel pin
- Crankcase cover (Right)

NOTE:

Tighten the crankcase cover holding screws in stage, using a crisscross pattern.

	Screws (Crankcase Cover): 7 Nm (0.7 m•kg, 5.1 ft•lb)
--	---

12. Install:

- Kick crank

NOTE:

Install the kick crank so that it does not contact the case.

	Bolt (Kick Crank): 25 Nm (2.5 m•kg, 18 ft•lb)
--	--

13. Connect:

- Radiator hose

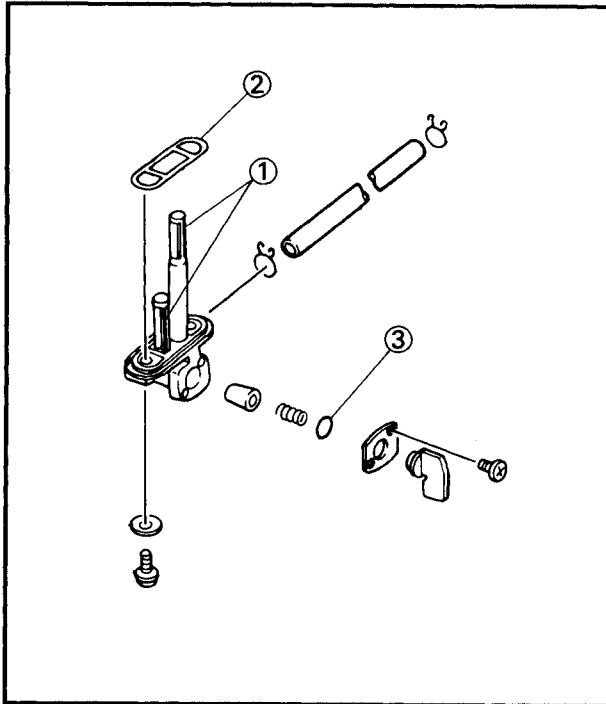
NOTE:

Connect the radiator hose with its white painted mark ① upward.

14. Install:

- Rear brake pedal
- Rear brake master cylinder
- Footrest

	Rear Brake Master Cylinder: 20 Nm (2.0 m•kg, 14 ft•lb)
	Footrest: 55 Nm (5.5 m•kg, 40 ft•lb)



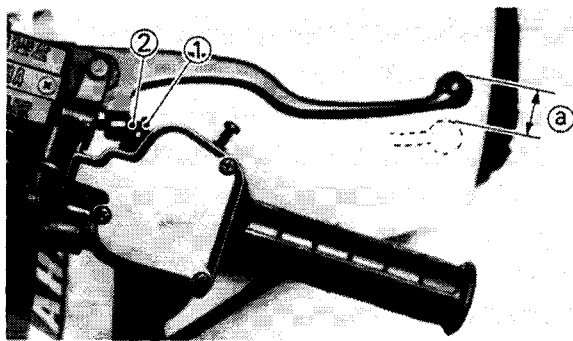
CHASSIS

FUEL COCK CLEANING

1. Turn the fuel cock lever to the "OFF".
2. Disconnect:
 - Fuel pipe
3. Remove:
 - Seat
 - Radiator cover
 - Fuel tank cover
 - Fuel tank
 - Fuel cock
4. Clean:
 - Filter screen ①
Clean it with solvent.
5. Inspect:
 - Gasket ②
 - Filter screen ①
 - O-ring ③
Damage → Replace.
6. Install:
 - Components in above list (Steps "3 and 2")

NOTE:

Be careful not to clamp the fuel cock too tightly as this may unseat the O-ring and gasket, and lead to a fuel leak.




FRONT BRAKE LEVER ADJUSTMENT

CAUTION:

Proper lever free play is essential to avoid excessive brake drag.

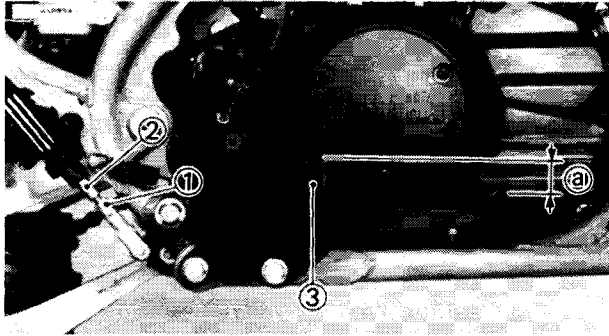
1. Loosen:
 - Adjuster locknut ②
2. Rotate:
 - Adjuster ①
Turn it clockwise or counterclockwise until proper lever end free play ③ is attained.

	Front Brake Lever Free Play ③: 4 ~ 8 mm (0.16 ~ 0.32 in)
---	--

3. Tighten:
 - Locknut



**REAR BRAKE PEDAL ADJUSTMENT/
BRAKE PADS INSPECTION**

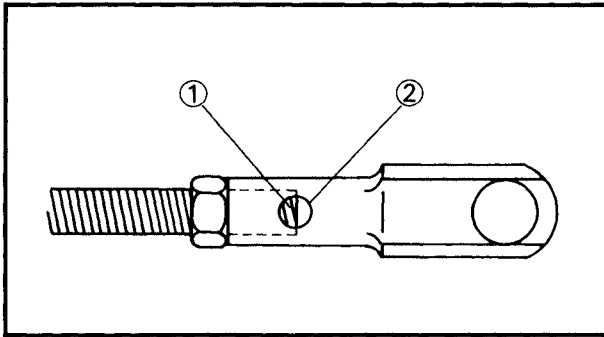


REAR BRAKE PEDAL ADJUSTMENT

1. Loosen:
 - Locknut ①
2. Rotate:
 - Adjuster ②
 Turn it clockwise or counterclockwise until proper brake pedal height ③ is attained.

Brake Pedal Height ③:
10 mm (0.4 in)

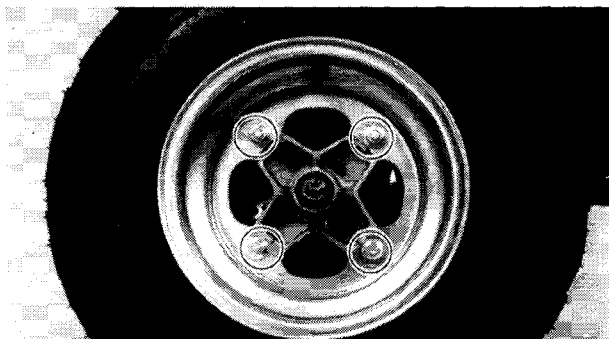
③ Footrest



3. Tighten:
 - Locknut

WARNING:

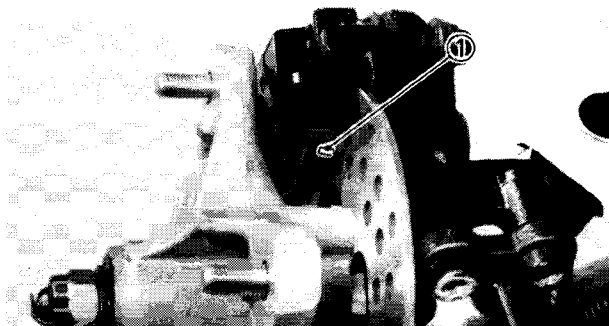
After adjusting the brake pedal height, visually check the adjuster end ① through the hole ② of the joint holder. The adjuster end must appear within this hole.



BRAKE PADS INSPECTION

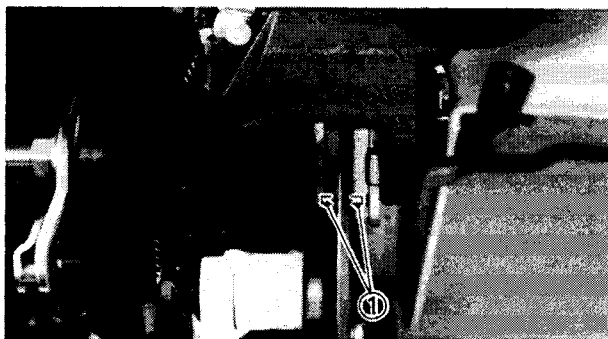
Front Brake Pads

1. Remove:
 - Front wheel
2. Activate the brake lever.
3. Inspect:
 - Wear indicator ①
 Indicator almost contacts disc → Replace pads as a set.
 Refer to "CHAPTER 6—FRONT BRAKE" section.

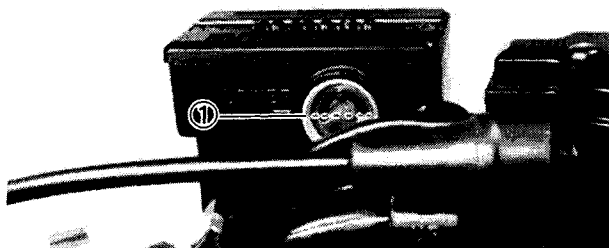


BRAKE FLUID INSPECTION/ PARKING BRAKE ADJUSTMENT

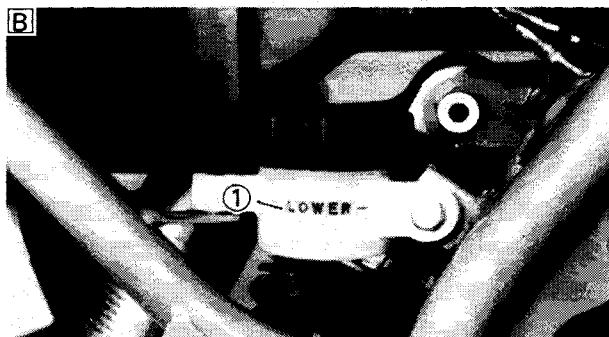
INSP
ADJ



A



B



Rear Brake Pads

1. Depress the brake pedal.
2. Inspect:
 - Wear indicator ①
Indicator almost contacts disc → Replace pads as a set.
Refer to "CHAPTER 6.—REAR BRAKE" section.

BRAKE FLUID INSPECTION

NOTE:

Before checking the brake fluid level, inspect the brake pads wear limit.

1. Check:
 - Brake fluid level
Low level ① → Replenish.

NOTE:

If DOT No. 4 is not available, No. 3 can be used.



Brake Fluid:
DOT No. 4

NOTE:

Be sure that:

- Water does not enter the master cylinder when refilling.
- Spilled fluid is cleaned up immediately to prevent painted surfaces or plastic parts from eroding.

A FRONT BRAKE

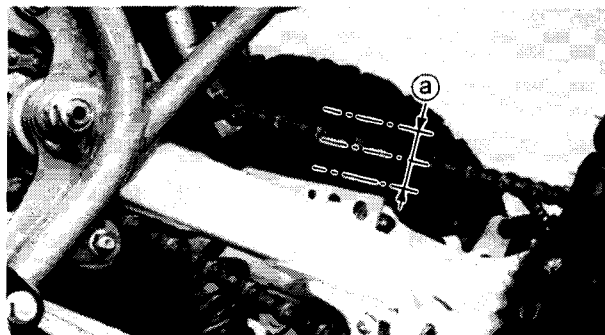
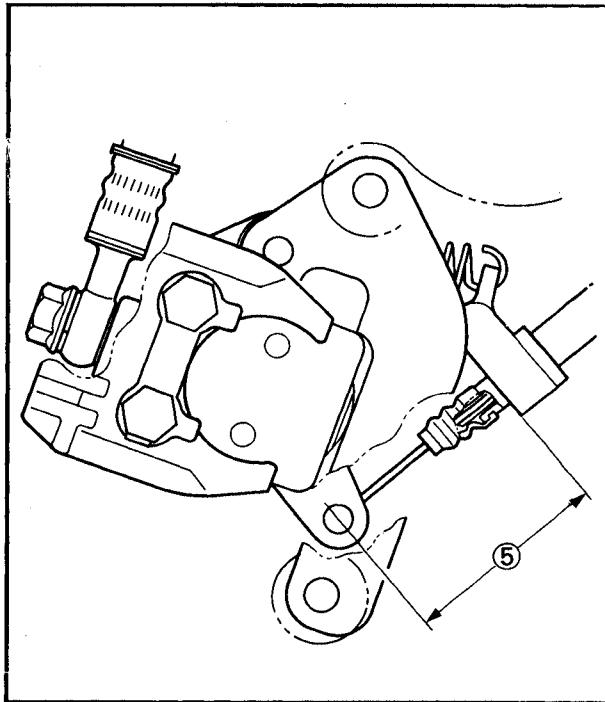
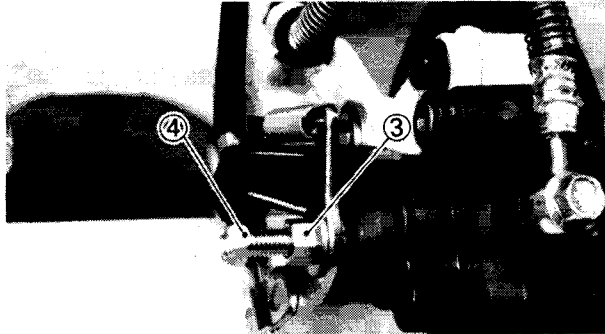
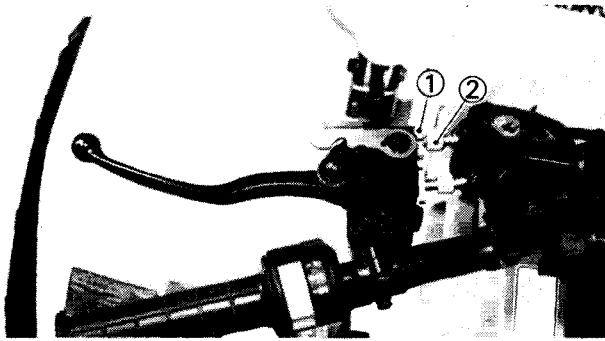
B REAR BRAKE

PARKING BRAKE ADJUSTMENT

The parking brake adjustment may be required if the parking brake does not hold properly.



**PARKING BRAKE ADJUSTMENT/
DRIVE CHAIN SLACK ADJUSTMENT**



1. Adjust:
- Parking brake

Parking brake adjustment steps:

- Apply rear brake pedal 2 or 3 times.
- Loosen the locknut ① and fully loosen the parking brake cable adjuster ② on the left lever holder.
- Loosen the locknut ③ and adjusting bolt ④ on the rear caliper.
- Slowly screw in the adjusting bolt ④ by tool until it feels tight and screw it out 1/8 turn. Then tighten the locknut ③.



Locknut ③:
16 Nm (1.6 m·kg, 11 ft·lb)

CAUTION:

When tightening the locknut, hold the adjusting bolt with a spanner so that the adjusting bolt is not turned together with the locknut.

- Adjust parking brake cable length ⑤ by turning cable adjuster ② in or out.



Parking Brake Cable Length:
46 ~ 50 mm (1.81 ~ 1.97 in)

- Tighten the locknut ①.

WARNING:

After this adjustment is performed, block the rear of the machine off the ground, and spin the rear wheels to ensure there is no brake drag. If any brake drag is noticed, perform the above steps again.

DRIVE CHAIN SLACK ADJUSTMENT

Drive Chain Slack Check

1. Measure:
- Drive chain slack ①
- At the position shown in the photograph.
Out of specification → Adjust.



Drive chain slack measurement steps:

- Elevate the rear wheels by placing a suitable stand under the engine.
- Rotate the rear wheel several times.
- Check the chain slack several times to find the point where the chain is the tightest.
- Check the chain slack when the wheels in this "tight chain" position.

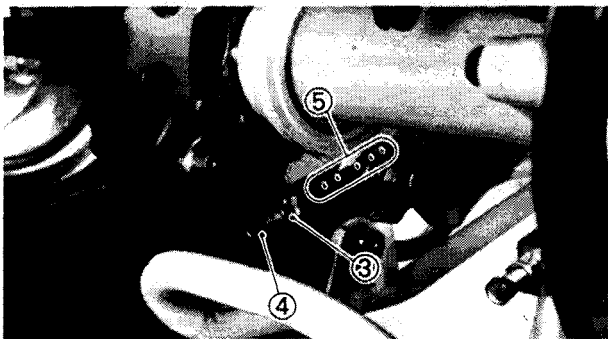
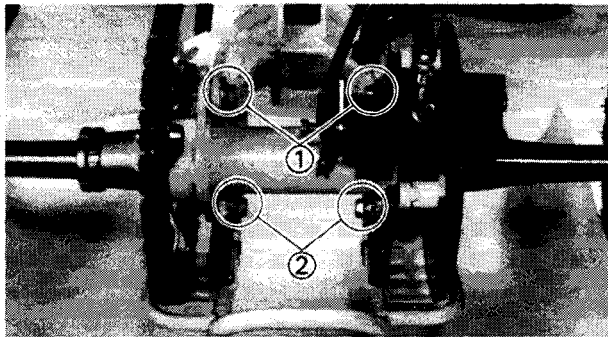


Drive Chain Slack (a):

Standard: 15 mm (0.6 in)

Limit: 40 mm (1.6 in)

- If the chain slack exceeds the limit [40 mm (1.6 in)], adjust the chain slack.



Drive Chain Slack Adjustment

1. Adjust:

- Drive chain slack

Drive chain slack adjustment steps:

- Loosen the rear wheel hub upper bolts (1).
- Loosen the rear wheel hub lower bolts (2).
- Loosen the adjuster locknut (3).
- Adjust chain slack by turning the adjuster (4).

To Tighten → Turn adjuster (4) clockwise.

To Loosen → Turn adjuster (4) counter-clockwise and push wheel forward.

- Turn each adjuster exactly the same amount to maintain correct axle alignment. (There are marks (5) on each side of chain puller alignment.)

CAUTION:

Excessive chain slack will overload the engine and other vital parts; keep the slack within the specified limits.

- If the chain slack cannot be adjusted, replace the sprockets and drive chain as a set.

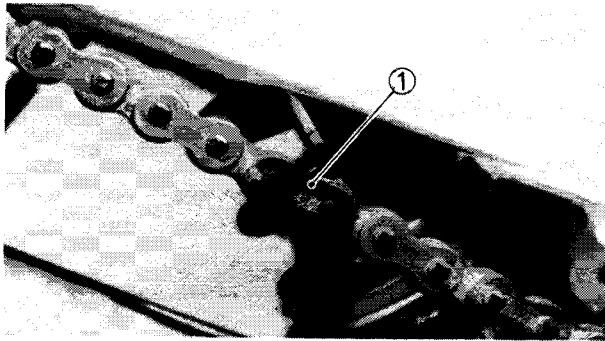
- Tighten the rear wheel hub bolts and locknuts.



Rear Wheel Hub Lower Bolt:
60 Nm (6.0 m•kg, 43 ft•lb)
Rear Wheel Hub Upper Bolt:
120 Nm (12 m•kg, 85 ft•lb)
Locknuts (Chain Puller):
16 Nm (1.6 m•kg, 11 ft•lb)

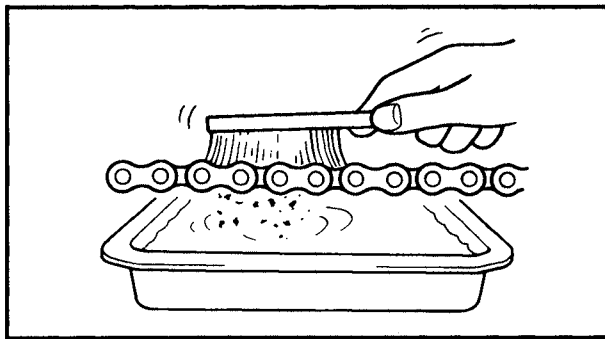
NOTE: _____

The chain should be cleaned and lubricated after every use of the machine.



DRIVE CHAIN LUBRICATION

1. Remove:
 - Master link clip ①
 - Joint
 - Drive chain

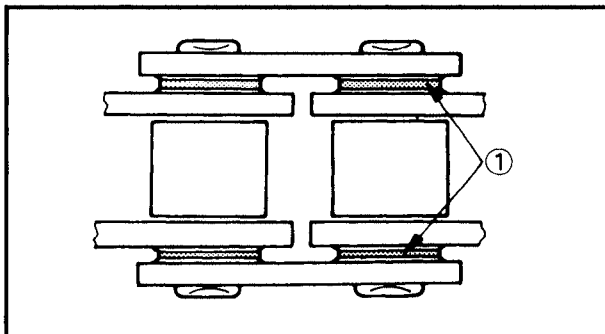


2. Clean:
 - Drive chain

Place it in kerosene, and brush off as much dirt as possible. Then remove the chain from the kerosene and dry the chain.

NOTE: _____

This machine has a drive chain with small rubber O-rings ① between the chain plates. Steam cleaning, high-pressure washes, and certain solvent can damage these O-rings. Use only kerosene to clean the drive chain.



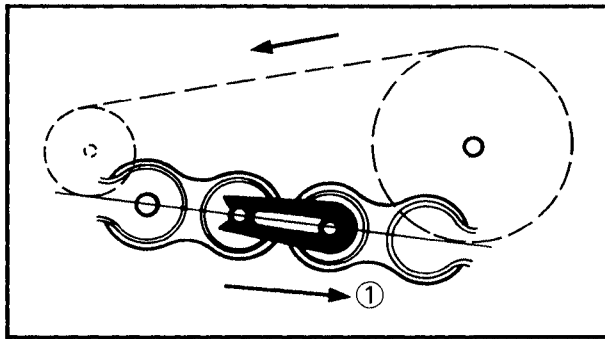
3. Lubricate:
 - Drive chain



Drive Chain Lubricant:
SAE 30~50 Motor oil or chain lubricants for "O-ring" chains

DRIVE CHAIN AND SPROCKET INSPECTION

INSP
ADJ



CAUTION:

Do not use any other lubricants or O-rings damage may occur.

4. Install:
Drive chain

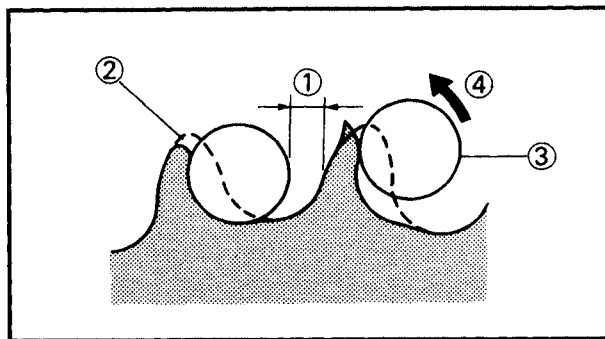
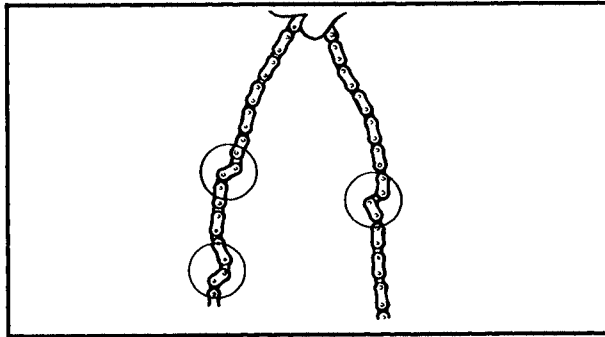
NOTE:

During reassembly, the master link clip must be installed with the rounded end facing the direction of travel.

- ① Turning direction

5. Adjust:

- Drive chain slack
Refer to "DRIVE CHAIN SLACK ADJUSTMENT" section.



DRIVE CHAIN AND SPROCKETS INSPECTION

1. Remove:

- Drive chain
Refer to "DRIVE CHAIN LUBRICATION" section.

2. Check:

- Drive chain stiffness
Clean and oil the chain and hold as illustrated.
Refer to "DRIVE CHAIN LUBRICATION" section.

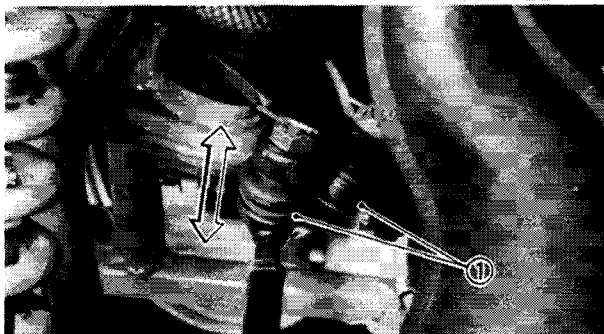
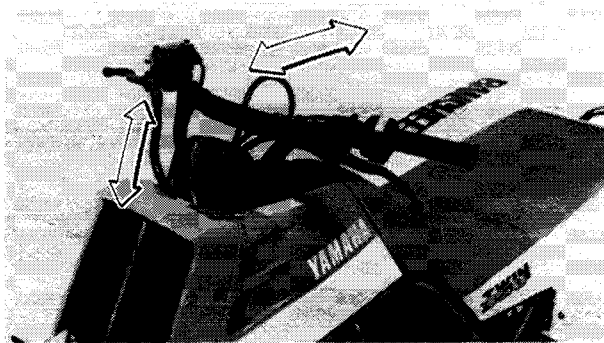
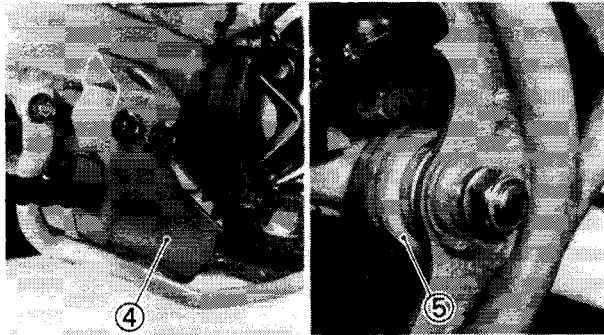
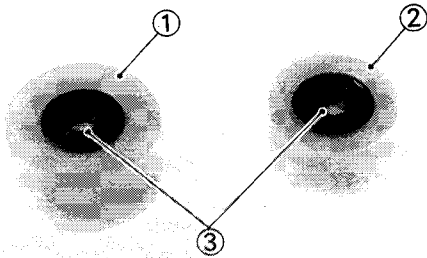
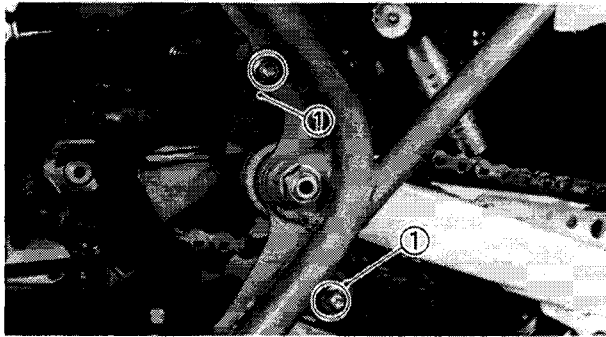
3. Inspect:

- Drive sprocket/Driven sprocket
More than 1/4 teeth ① wear → Replace sprocket.
Bent teeth → Replace sprocket.
Refer to "CHAPTER 6—REAR WHEEL AND WHEEL HUB" section.

- ② Correct
- ③ Roller
- ④ Slip off

4. Install:

- Drive chain
Refer to "DRIVE CHAIN LUBRICATION" section.



CHAIN TENSIONER AND CHAIN GUIDE INSPECTION

1. Remove:
 - Chain tensioner (Upper and lower) ①

2. Inspect:
 - Chain tensioner roller (Upper-Big) ①
 - Chain tensioner roller (Lower-Small) ②
 - Excessive wear → Replace.
3. Check:
 - Chain tensioner bearing ③
 - Tightness/Binding/Damage → Replace.
4. Inspect:
 - Chain support ④
 - Chain guide ⑤
 - Damage → Replace.
5. Install:
 - Chain tensioner (Upper and lower)

	<p>Bolt (Chain Tensioner): 9 Nm (0.9 m•kg, 6.8 ft•lb)</p>
--	--

STEERING SYSTEM INSPECTION

1. Place the machine on a level place.
2. Check:
 - Steering assembly bushings
 - Move the handlebar up and down, and/or back and forth.
 - Excessive play → Replace the steering shaft bushings.

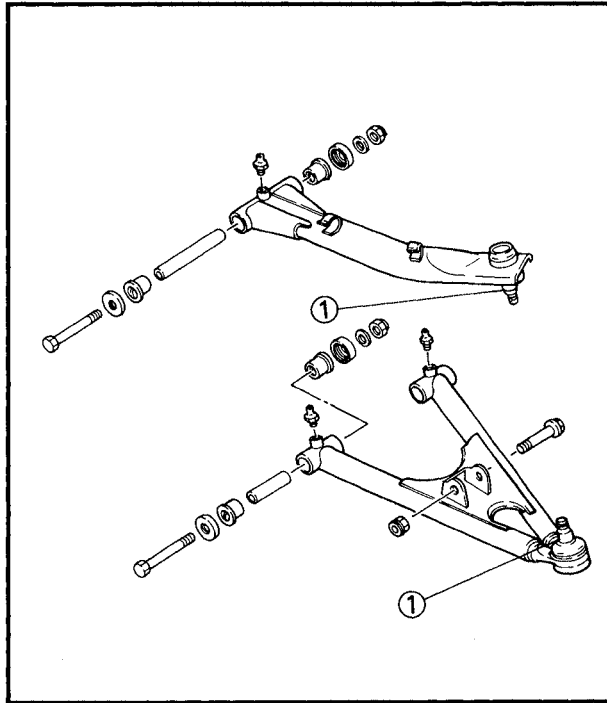
3. Check:
 - Tie-rod ends
 - Turn the handlebar to the left and/or right until it stops completely, then slightly move the handlebar from left to right.
 - Tie-rod end ① has any vertical play → Replace the tie-rod end(s).

STEERING SYSTEM INSPECTION/CABLE INSPECTION AND LUBRICATION

INSP
ADJ



4. Raise the front end of the machine so that there is no weight on the front wheels.
5. Check:
 - Ball joints ① and/or wheel bearings
Move the wheels laterally back and forth.
Excessive free play → Replace the front arms and/or wheel bearings.



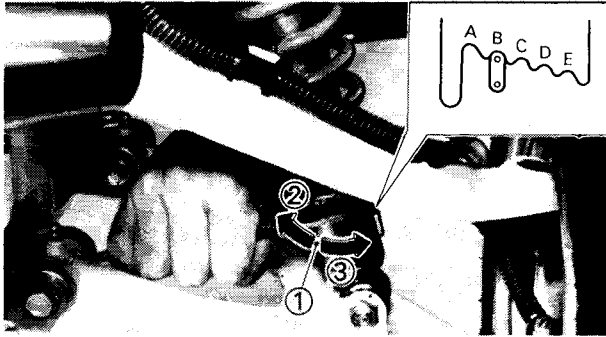
CABLE INSPECTION AND LUBRICATION

1. Damage to the outer housing of the various cables may cause corrosion. Often free movement will be obstructed. An unsafe condition may result. Replace such cables as soon as possible.
2. If the inner cables do not operate smoothly lubricate or replace them.



Yamaha Chain and Cable Lube or
SAE 10W30 Motor Oil

FRONT AND REAR SHOCK ABSORBER ADJUSTMENT



FRONT AND REAR SHOCK ABSORBER ADJUSTMENT

Front Shock Absorber

1. Adjust:

- Spring preload

Turn the adjuster ① to increase or decrease the spring preload.

Front Shock Absorber Preload			
Preload	Softer ② ←	Standard	Stiffer ③ →
Position	A	B	C,D,E

Rear Shock Absorber

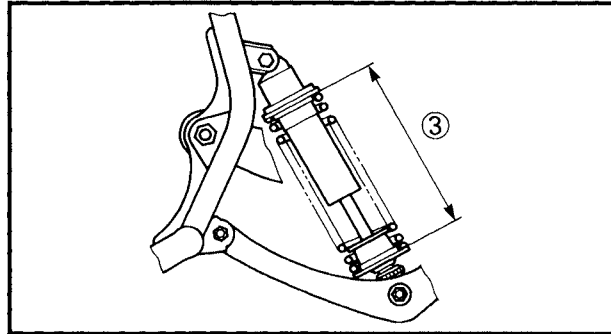
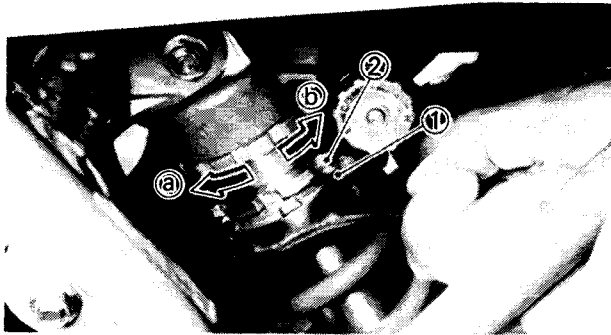
WARNING:

This shock absorber contains highly pressurized nitrogen gas. Read and understand the following information before handling the shock absorber. The manufacturer cannot be held responsible for property damage or personal injury that may result from improper handling.

- Do not tamper with or attempt to open the cylinder assembly.
- Do not subject shock absorber to an open flame or other high heat source. This may cause the unit to explode due to excessive gas pressure.
- Do not deform or damage the cylinder in any way. Cylinder damage will result in poor damping performance.

FRONT AND REAR SHOCK ABSORBER ADJUSTMENT

**INSP
ADJ**



1. Adjust:
 - Spring preload

Spring preload adjustment steps:

- Elevate the rear wheels by placing the suitable stand.
- Loosen the locknut ②.
- Adjust the spring preload.

NOTE: _____

The length of the spring (installed) changes 1.5 mm (0.06 in) per turn of the adjuster.

③ Spring length

Stiffer ④ → Increase the spring preload.
(Turn the adjuster ① in.)

Softer ⑤ → Decrease the spring preload.
(Turn the adjuster ① out.)



Standard Spring Length (Installed):
218.5 mm (8.6 in)

Minimum Length (Installed):
210.5 mm (8.3 in)

Maximum Length (Installed):
225.5 mm (8.8 in)

CAUTION: _____

Never attempt to turn the adjuster beyond the maximum or minimum setting.

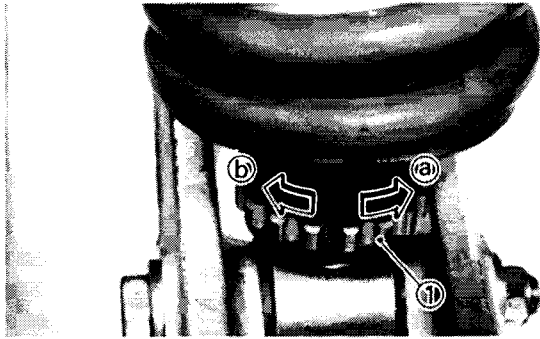
- Tighten the locknuts.



Locknut:
70 Nm (7.0 m•kg, 50 ft•lb)



**FRONT AND REAR SHOCK ABSORBER
ADJUSTMENT**



2. Adjust:
- Rebound damping force

Rebound damping force adjustment steps:

- Turn the adjuster ① 12 clicks back from the fully turned-in position. (It is standard position)
- Adjust the rebound damping force.

Slower ① → Increase the rebound damping force. (Turn the adjuster ① in.)

Faster ② → Decrease the rebound damping force. (Turn the adjuster ① out.)

Standard setting:

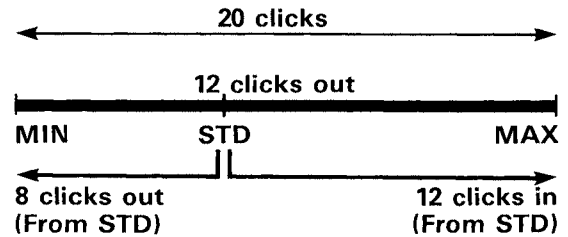
12 clicks turns out (From the fully turned-in position)

Minimum setting:

8 clicks turns out (From standard position)

Maximum setting:

12 clicks turns in (From standard position)

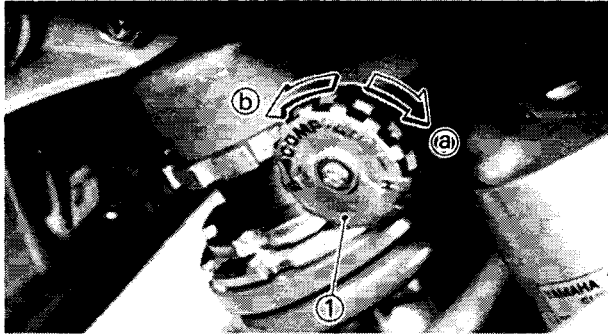


CAUTION:

Do not turn out (in) the adjuster from the damping force minimum (maximum) setting.

FRONT AND REAR SHOCK ABSORBER ADJUSTMENT

**INSP
ADJ**



3. Adjust:

- Compression damping force

Compression damping force adjustment steps:

- Turn the adjuster ① 11 clicks back from the fully turned-out position. (It is standard position.)
- Adjust the compression damping force.

Stiffer ① → Increase the compression damping force. (Turn the adjuster ① clockwise.)

Softer ② → Decrease the compression damping force. (Turn the adjuster ① counter-clockwise.)

Standard setting:

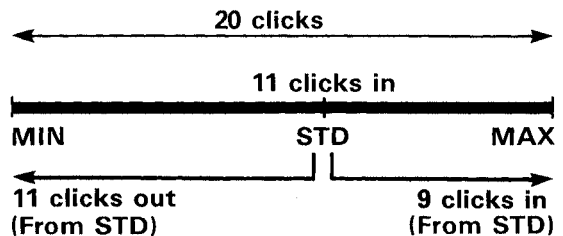
8 clicks turn in (From the fully turned out position)

Minimum setting:

11 clicks out (From standard setting)

Maximum setting:

9 clicks in (From standard setting)



CAUTION:

Do not turn out (in) the adjuster from the damping force minimum (maximum) setting.

WARNING:

The compression damping adjuster is very hot immediately after a run. Never allow your bare hand or part of your body to touch it.



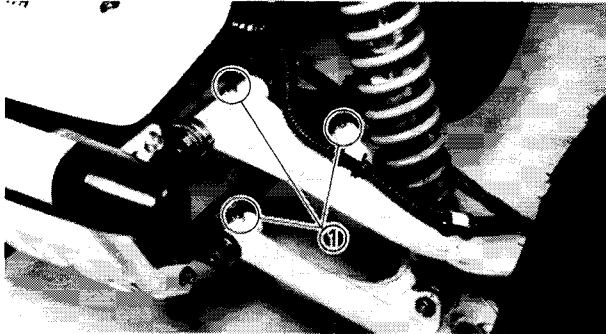
LEVERS, PEDAL, ETC. LUBRICATION/ FRONT ARM AND REAR ARM PIVOTS LUBRICATION

LEVERS, PEDAL, ETC. LUBRICATION

1. Lubricate:
 - Pivot points



Yamaha Chain and Cable Lube or
SAE 10W30 Motor Oil

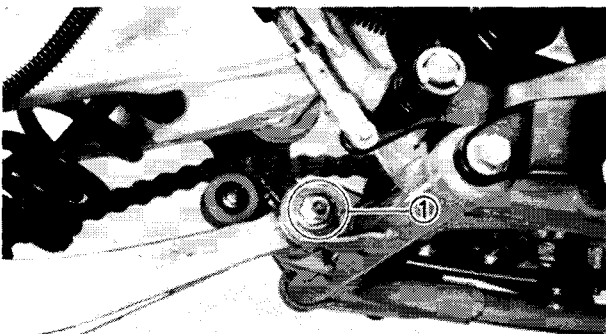
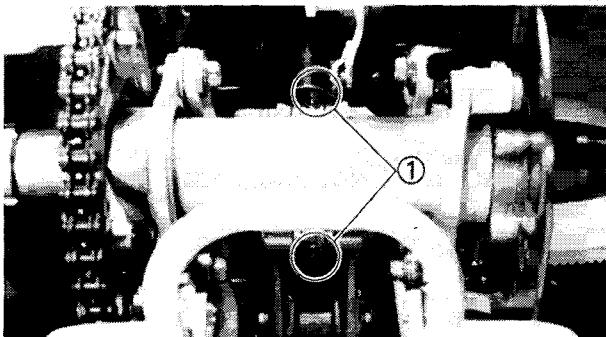
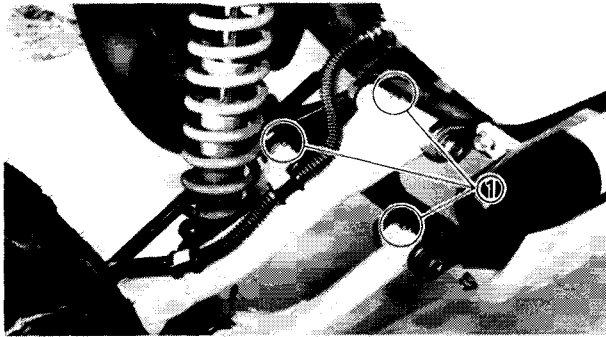


FRONT ARMS AND REAR ARM PIVOTS LUBRICATION

1. Lubricate:
 - Pivot points (font arms and rear arm) ①Use a grease gun.



Lithium Base Grease





TIRES CHECK

WARNING:

This model is equipped with low pressure tires. It is important that they be inflated correctly and maintained at the proper pressures.

•TIRE CHARACTERISTICS

- 1) Tire characteristics influence the handling of ATV's. The tires listed below have been approved by Yamaha Motor Co., Ltd. for this model. If other tire combinations are used, they can adversely affect your machine's handling characteristics and are therefore not recommended.

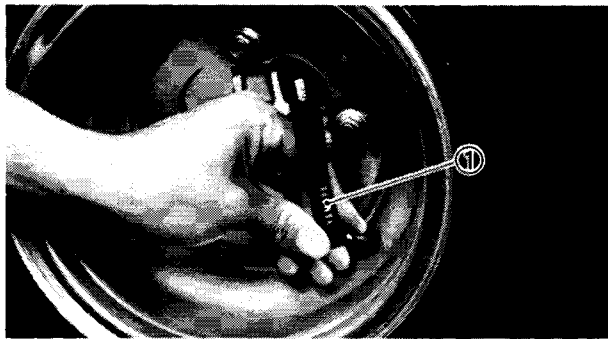
	Manufacturer	Size	Type
Front	DUNLOP	AT21×7-10	KT764
Rear	DUNLOP	AT22×10-9	KT768

•TIRE PRESSURE

- 1) Recommended tire pressure
 - Front 30 kPa (0.30 kg/cm², 4.3 psi)
 - Rear 25 kPa (0.25 kg/cm², 3.6 psi)
- 2) Tire pressure below the minimum specified could cause the tire to dislodge from the rim under severe riding conditions. The following are minimums:
 - Front 27 kPa (0.27 kg/cm², 3.8 psi)
 - Rear 22 kPa (0.22 kg/cm², 3.1 psi)
- 3) Use no more than
 - Front 280 kPa (2.5 kg/cm², 36 psi)
 - Rear 190 kPa (1.9 kg/cm², 27 psi)
 when seating the tire beads. Higher pressures may cause the tire to burst. Inflate the tires very slowly and carefully. Fast inflation could cause the tire to burst.

•MAXIMUM LOADING LIMIT

- 1) Vehicle load limits: 100 kg (220 lb)*
 - *Total weight of cargo, rider, and accessories.



1. Measure:

- Tire pressure (Cold tire pressure)
Out of specification → Adjust.

NOTE:

The low-pressure tire gauge ① is included in the standard equipment.

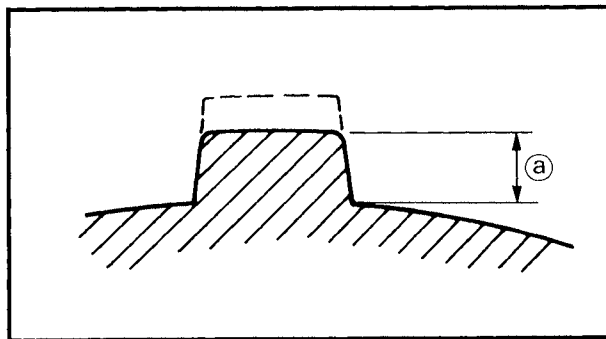
If dust or the like is stuck to this gauge, it does not provide correct readings. Therefore, make two measurements on the tire pressure and get the second reading.

Cold Tire Pressure	Front	Rear
Standard	30 kPa (0.3 kg/cm ² , 4.3 psi)	25 kPa (0.25 kg/cm ² , 3.6 psi)
Minimum	27 kPa (0.27 kg/cm ² , 3.8 psi)	22 kPa (0.22 kg/cm ² , 3.1 psi)
Maximum	33 kPa (0.33 kg/cm ² , 4.7 psi)	28 kPa (0.28 kg/cm ² , 4.0 psi)

WARNING:

Uneven or improper tire pressure may adversely affect the handling of this machine and may cause loss of control.

- Maintain proper tire pressures.
- Set tire pressures when the tires are cold.
- Tire pressures must be equal in both front tires and equal in both rear tires.



2. Inspect:

- Tire surfaces
Wear/Damage → Replace.



Tire Wear Limit ①:
Front and Rear: 3.0 mm (0.12 in)

WARNING:

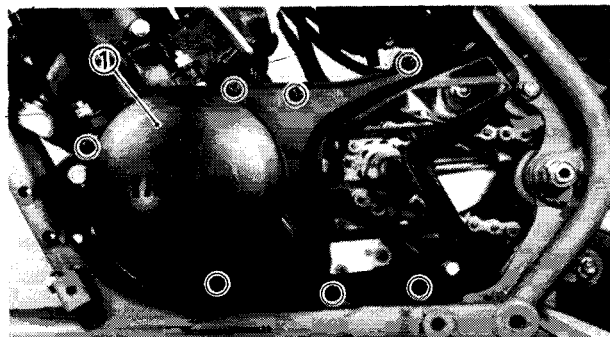
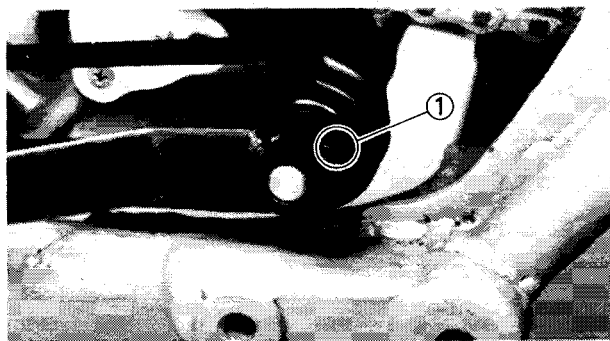
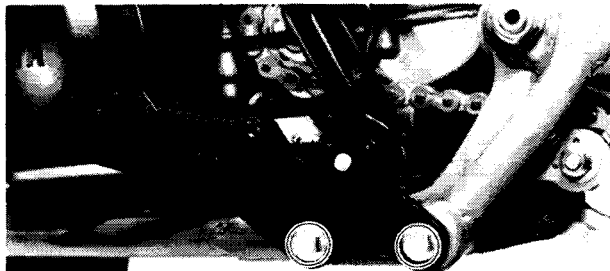
It is dangerous to ride with a wornout tire. When a tire wear is out of specification, replace the tire immediately.

WHEELS CHECK

1. Inspect:
 - Wheels
Crack/Bend/Warpage→Replace.

WARNING:

Never attempt even small repairs to the wheel.



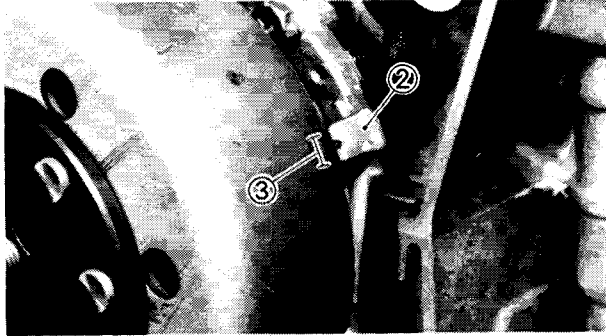
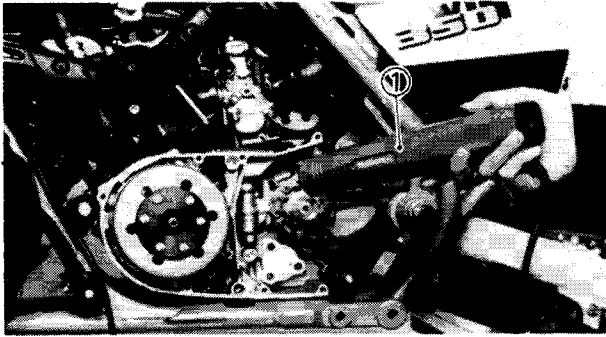
ELECTRICAL

IGNITION TIMING CHECK

1. Remove:
 - Footrest (Left)

2. Remove:
 - Bolt ①
 - Change pedal

3. Remove:
 - Crankcase cover (Left) ①



4. Check:
- Ignition timing

Ignition timing check steps:

- Connect the Timing Light ① (YM-33277) to the spark plug lead.
- Warm up the engine and let it idle at the specified idle speed of 1,450 ~ 1,550 r/min.
- Visually check the stationary pointer ② on the crankcase to verify it is within the firing range ③ indicated on the flywheel.
Incorrect → Check flywheel and/or pick-up assembly (tightness and/or damage).
Refer to "CHAPTER 7. ELECTRICAL" for further information.

5. Install:
- Crankcase cover (Left)



Screws (Crankcase Cover):
7 Nm (0.7 m•kg, 5.1 ft•lb)

6. Install:
- Change pedal



Bolt (Change Pedal):
14 Nm (1.4 m•kg, 10 ft•lb)

7. Install:
- Footrest (Left)



Footrest:
55 Nm (5.5 m•kg, 40 ft•lb)

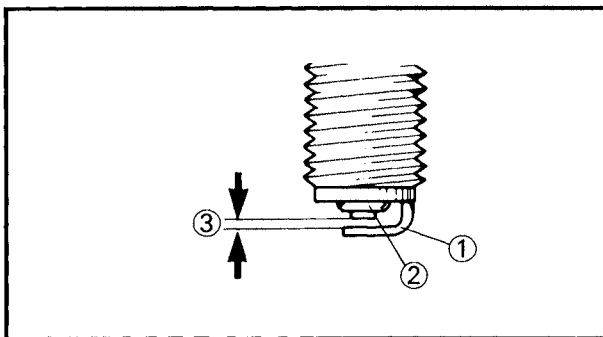
SPARK PLUG INSPECTION

1. Inspect:
- Electrode ①
Wear/Damage → Replace.
 - Insulator color ②
Normal condition is a medium to light tan color.
Distinctly different color → Check the engine condition.

③ Spark plug gap

2. Clean:
- Spark plug
Clean the spark plug with a spark plug cleaner or wire brush.

3. Inspect:
- Spark plug type
Incorrect → Replace.



SPARK PLUG INSPECTION/ HEADLIGHT BULB REPLACEMENT

INSP
ADJ



Standard Spark Plug:
B8ES (N.G.K.)
W24ES (NIPPONDENSO)

4. Measure:
- Spark plug gap
Out of specification → Regap.
Use a wire gauge.



Spark Plug Gap:
0.7 ~ 0.8 mm (0.028 ~ 0.032 in)

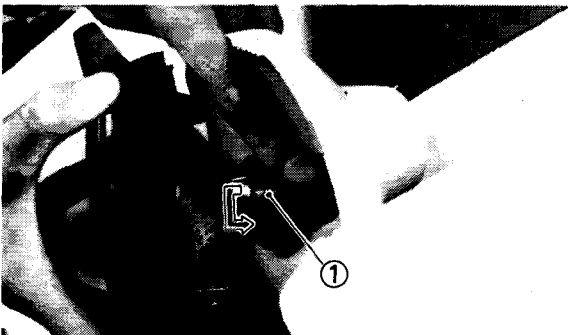
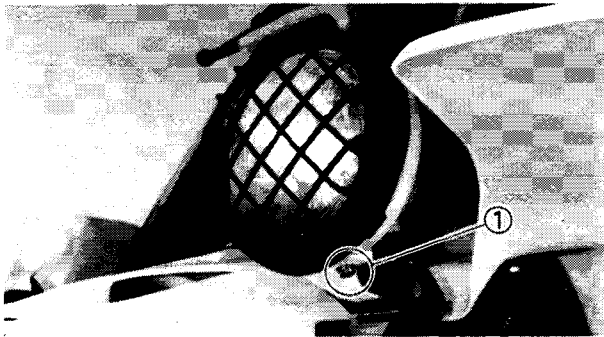
5. Tighten:
- Spark plug

NOTE: _____
Before installing a spark plug, clean the gasket surface and plug surface.



Spark Plug:
20 Nm (2.0 m•kg, 14 ft•lb)

NOTE: _____
If a torque wrench is not available when you are installing a spark plug, a good estimate of the correct torque is 1/4 to 1/2 turns part finger tight. Have the spark plug torqued to the correct value as soon as possible with a torque wrench.



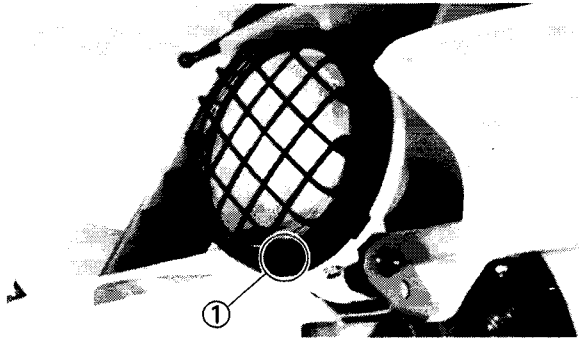
HEADLIGHT BULB REPLACEMENT

1. Remove:
- Screw ①
2. Remove:
- Bulb
Turn the bulb holder ① counterclockwise to release bulb.

WARNING: _____

Keep flammable products or your hands away from the bulb while it is on, it will be hot. Do not touch the bulb until it cools down.

3. Install:
 - Bulb (New)
Secure the new bulb with the bulb holder.
4. Tighten:
 - Screw (Headlight)



HEADLIGHT BEAM ADJUSTMENT

1. Adjust:
 - Headlight beam (Vertically)

Vertical adjustment	
Higher	Turn the adjusting screw ① clockwise.
Lower	Turn the adjusting screw ① counterclockwise.



CHAPTER 3 ENGINE OVERHAUL

ENGINE REMOVAL	3-1
PREPARATION FOR REMOVAL	3-1
FRONT FENDER	3-2
REAR FENDER.....	3-2
FUEL TANK	3-2
EXHAUST PIPE AND SILENCER	3-3
CARBURETOR	3-3
CHANGE PEDAL	3-4
CDI MAGNETO	3-4
DRIVE CHAIN	3-5
TENSION ROD.....	3-5
CABLES	3-6
ENGINE REMOVAL.....	3-6
 DISASSEMBLY	 3-8
CYLINDER HEAD	3-8
REED VALVE ASSEMBLY	3-8
RADIATOR HOSE.....	3-8
CYLINDER	3-9
PISTON PIN AND PISTON	3-9
KICK CRANK	3-9
CRANKCASE COVER (RIGHT).....	3-10
CLUTCH AND PRIMARY DRIVE GEAR	3-10
KICK AXLE.....	3-11
CHANGE SHAFT.....	3-12
STATOR ASSEMBLY.....	3-12
CAM STOPPER PLATE	3-12
BEARING STOPPER PLATE	3-12
CRANKCASE	3-13
PUSH LEVER	3-13
TRANSMISSION	3-13
SHIFTER	3-14
CRANKSHAFT.....	3-14

INSPECTION AND REPAIR	3-15
CYLINDER HEAD	3-15
CYLINDER	3-15
PISTON, PISTON RING AND PISTON PIN	3-16
JOINT PIPE	3-19
CLUTCH	3-19
PRIMARY DRIVE GEAR	3-21
KICK STARTER	3-21
SHIFTER	3-21
TRANSMISSION	3-22
CRANKSHAFT	3-23
BEARINGS AND OIL SEAL	3-24
CIRCLIPS AND WASHERS	3-24
CRANKCASE	3-24
 ENGINE ASSEMBLY AND ADJUSTMENT	 3-25
CRANKSHAFT	3-25
SHIFTER	3-27
TRANSMISSION	3-29
CRANKCASE	3-31
CHANGE SHAFT	3-32
KICK AXLE	3-33
CLUTCH AND PRIMARY DRIVE GEAR	3-34
CRANKCASE COVER (RIGHT)	3-38
KICK CRANK	3-38
PISTON PIN AND PISTON	3-38
CYLINDER	3-39
RADIATOR HOSE	3-40
REED VALVE ASSEMBLY	3-40
CYLINDER HEAD	3-40
CDI MAGNETO	3-42
REMounting ENGINE	3-42



ENGINE OVERHAUL

ENGINE REMOVAL

NOTE: _____

It is not necessary to remove the engine in order to remove the cylinder and/or the flywheel magneto assembly.

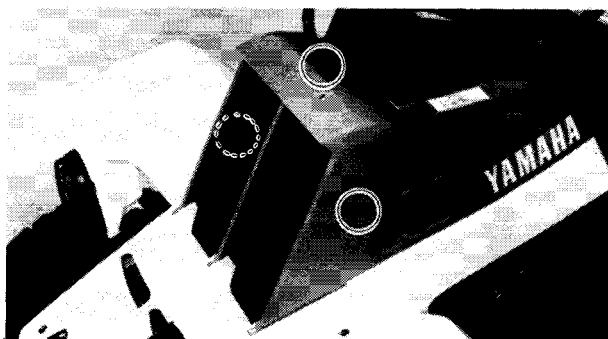
PREPARATION FOR REMOVAL

1. Remove all dirt, mud, dust and foreign material before removal and disassembly.
2. Use proper tools and cleaning equipment. Refer to "CHAPTER 1. GENERAL INFORMATION-SPECIAL TOOLS" section.

NOTE: _____

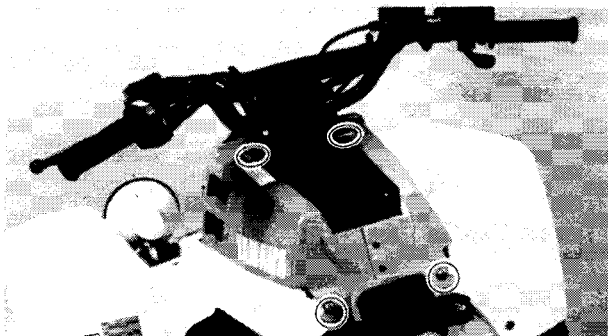
When disassembling the engine, keep mated parts together. This includes gears, cylinder, piston and other parts that have been "mated" through normal wear. Mated parts must be reused as an assembly or replaced.

3. During engine disassembly, clean all parts and place them in trays in the order of disassembly. This will speed up assembly time and help assure that all parts are correctly reinstalled in the engine.
4. Start the engine and allow it to warm up.
5. Drain the engine oil completely. Refer to "CHAPTER 2. PERIODIC INSPECTIONS AND ADJUSTMENTS — ENGINE OIL REPLACEMENT" section.
6. Drain the coolant completely. Refer to "CHAPTER 2. COOLANT REPLACEMENT" section.

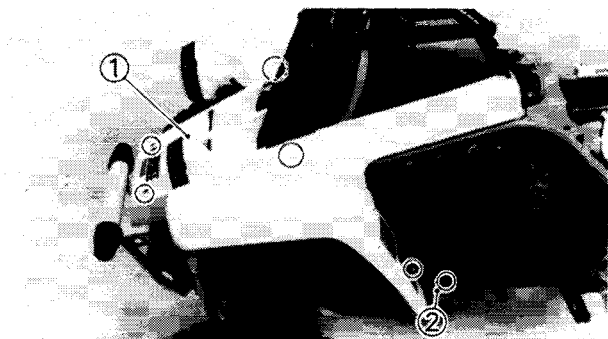


FRONT FENDER

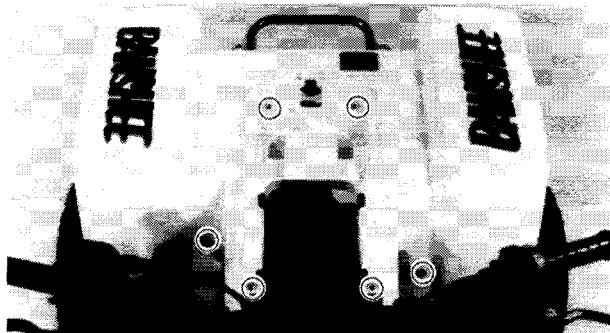
1. Remove:
 - Seat
 - Radiator cover



2. Remove:
 - Fuel tank cover

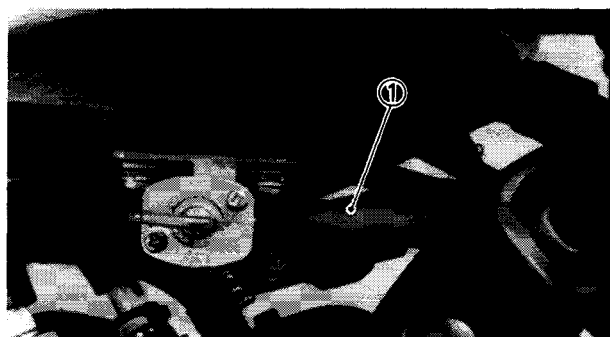


3. Remove:
 - Front fender ①
 - Front fender stays ②



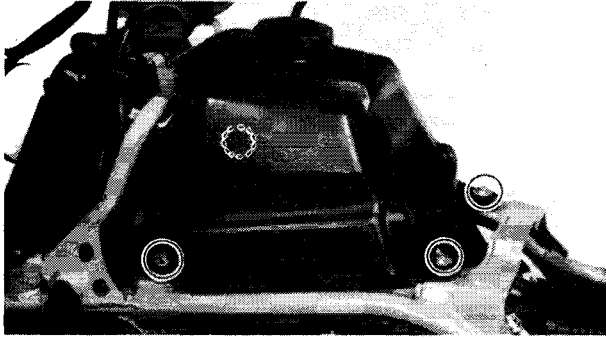
REAR FENDER

1. Remove:
 - Rear fender



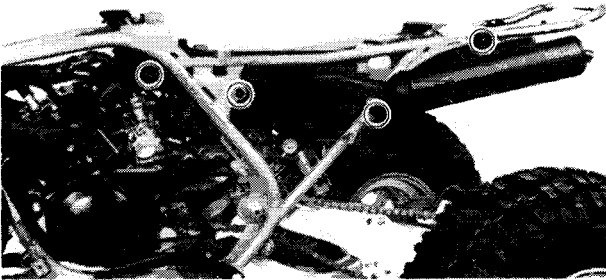
FUEL TANK

1. Turn the fuel cock to the "OFF" position.
2. Disconnect:
 - Fuel hose ①

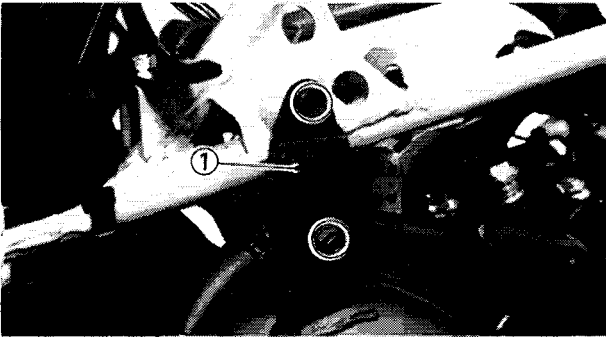


3. Remove:
 - Fuel tank

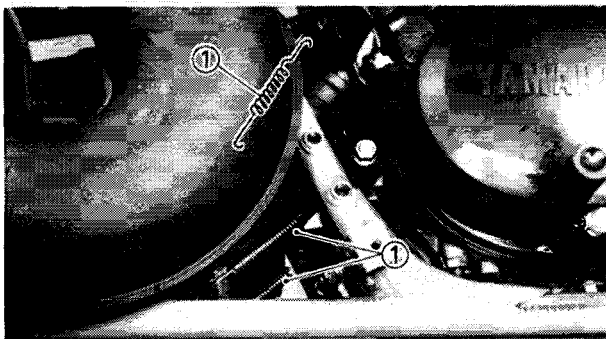
EXHAUST PIPE AND SILENCER



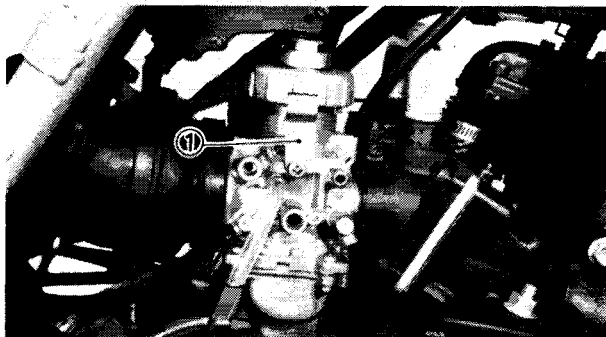
1. Remove:
 - Silencers



2. Remove:
 - Exhaust pipe stays ①

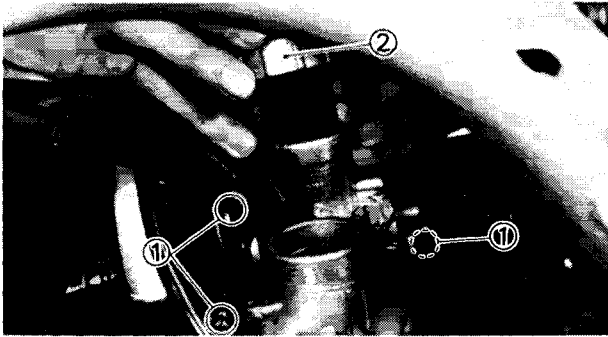


3. Remove:
 - Springs ①
 - Use the general spring remover.
 - Exhaust pipes

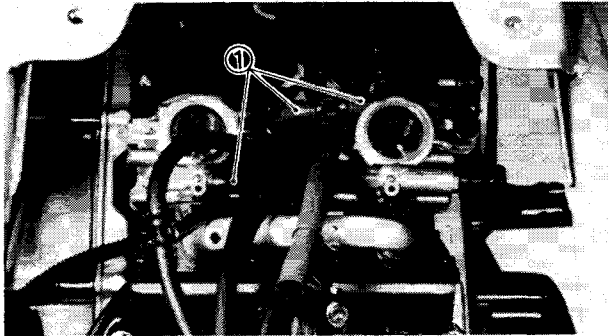


CARBURETOR

1. Remove:
 - Stopper plates ①

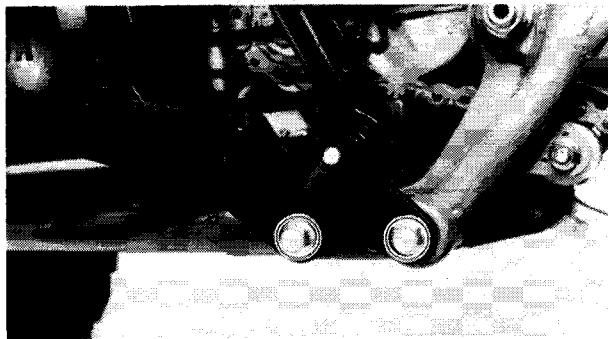


2. Loosen:
 - Carburetor joint holding screws ①
3. Remove:
 - Carburetor top ② together with throttle valve



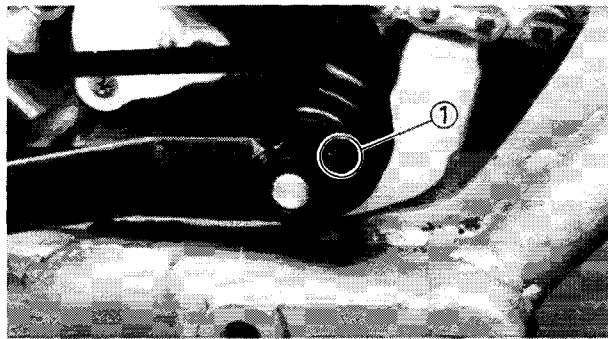
4. Remove:
 - Hoses ①
 - Carburetors

NOTE: _____
 Cover the carburetor with a clean rag to prevent dirt or foreign matter into the carburetor.

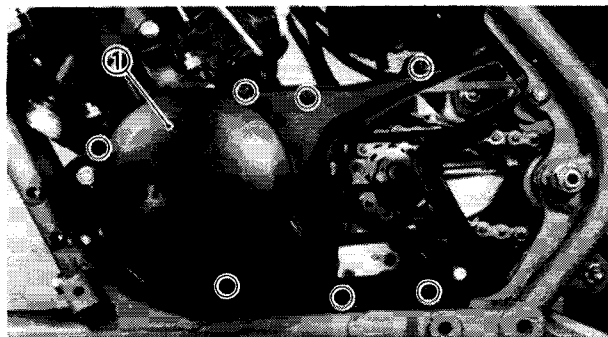


CHANGE PEDAL

1. Remove:
 - Footrests

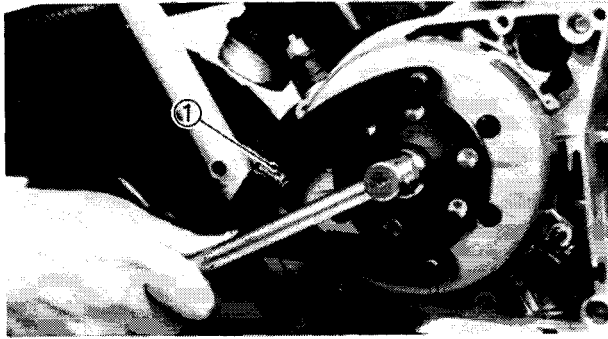


2. Remove:
 - Bolt ①
 - Change pedal



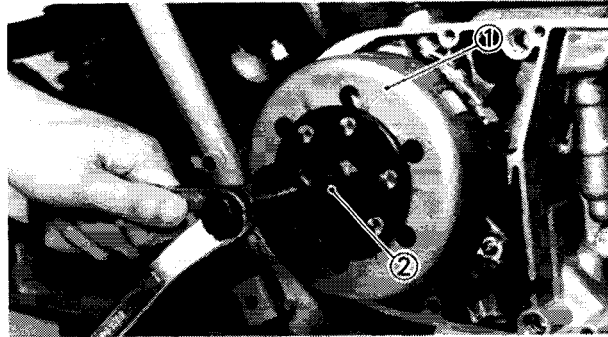
CDI MAGNETO

1. Remove:
 - Crankcase cover (Left) ①



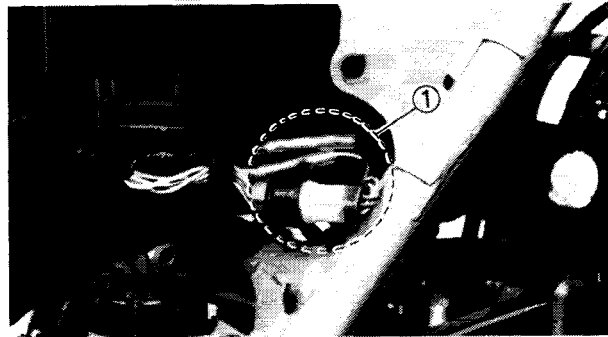
2. Remove:

- Nut (Magneto)
- Use the Rotor Holding Tool ① (YU-01235) to lock the magneto.



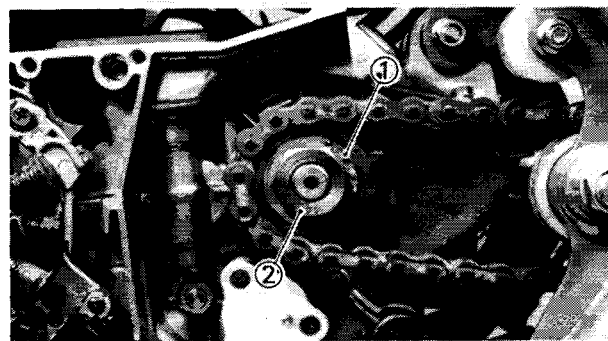
3. Remove:

- CDI magneto ①
- Use the Rotor Puller ② (YM-01189).
- Woodruff key

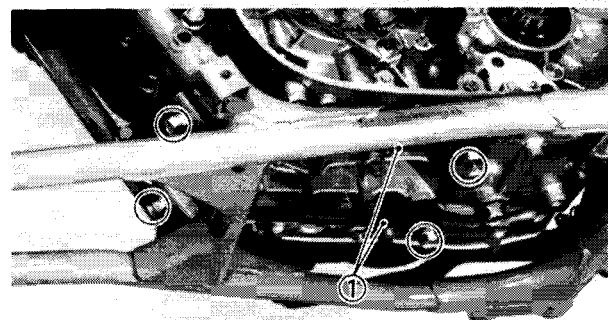


4. Disconnect:

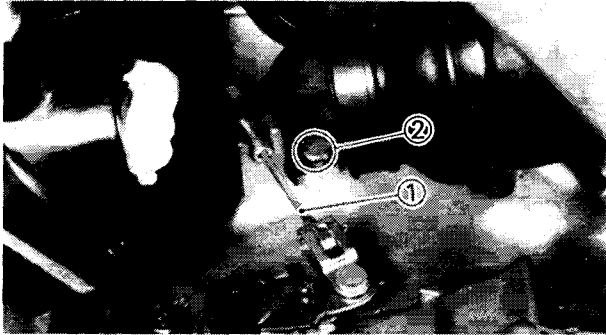
- Magneto leads ①

**DRIVE CHAIN**

1. Bend down lock tab ①.
2. Put the transmission in gear and apply parking brake.
3. Loosen:
 - Nut (Drive sprocket) ②
4. Remove:
 - Drive sprocket
 - Drive chain

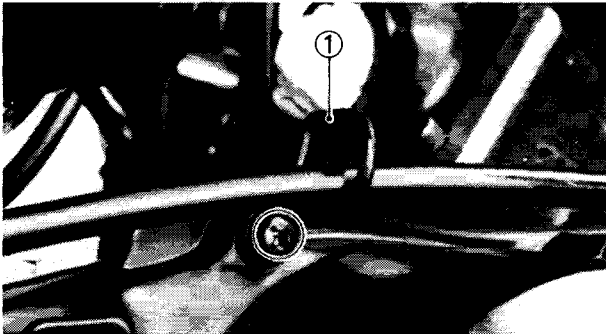
**TENSION ROD**

1. Remove:
 - Tension rods ①

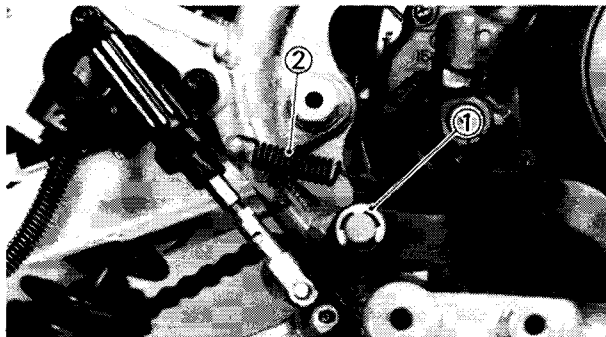


CABLES

1. Disconnect:
 - Spark plug lead
2. Remove:
 - Clutch cable ①
 - First disconnect the handlebar lever side, and then crankcase side.
 - Cable holder ②

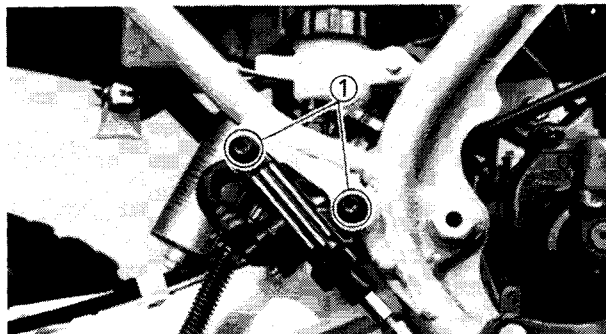


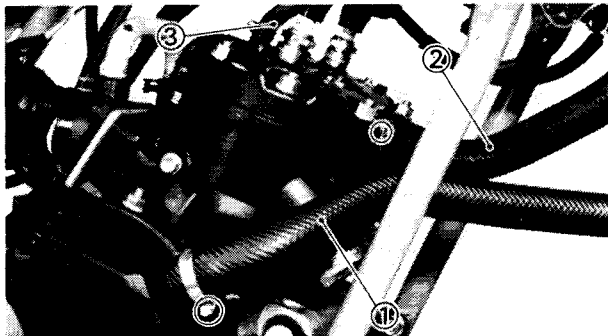
3. Remove:
 - Cable guide ①



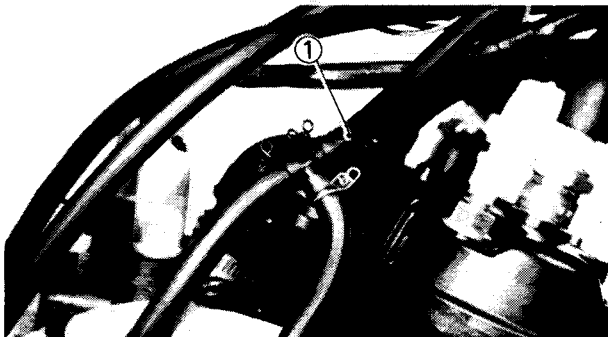
ENGINE REMOVAL

1. Remove:
 - Circlip ①
 - Spring ②
2. Remove:
 - Bolts ① (Rear brake master cylinder)
 - Rear brake pedal

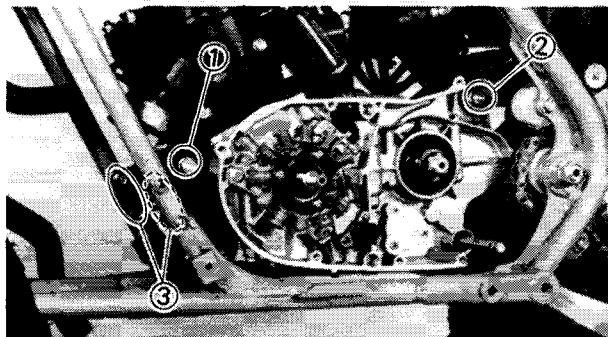




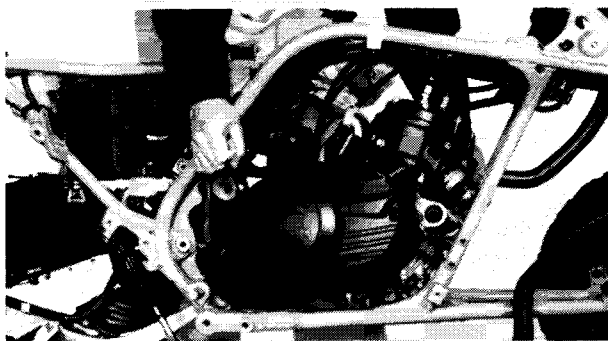
3. Disconnect:
- Inlet hose ①
 - Outlet hose ②
 - Bypass hose ③



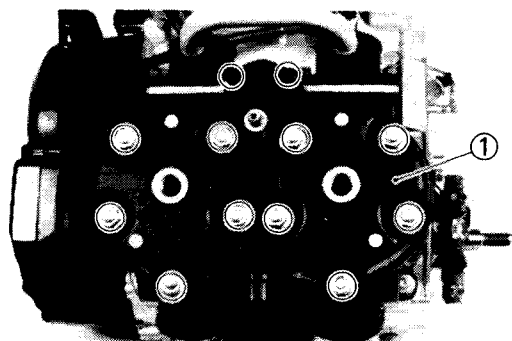
4. Disconnect:
- Breather hose ①



5. Remove:
- Bolt (Engine mounting-Front) ①
 - Bolt (Engine mounting-Rear) ②
 - Bolts (Engine stay-Front) ③



6. Remove:
- Engine
To the right

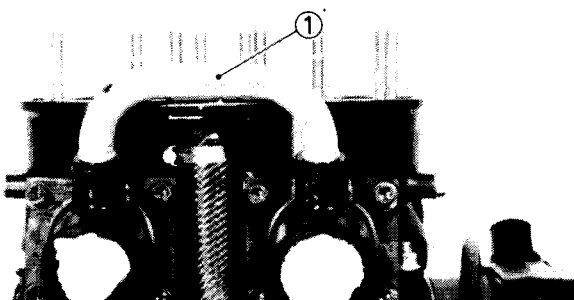


DISASSEMBLY CYLINDER HEAD

1. Remove:
 - Cylinder head ①
 - Gasket (Cylinder head)

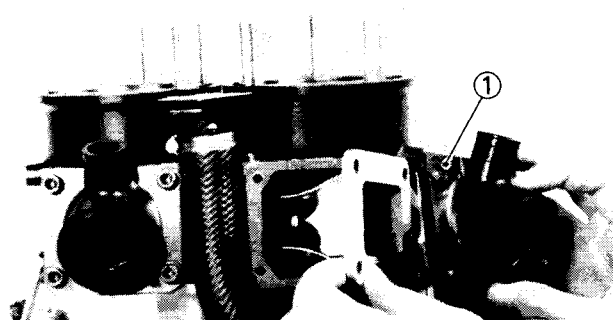
NOTE:

1. Before loosening the cylinder head, loosen the spark plugs.
2. The cylinder head bolts should be loosened starting from No.10.
Loosen them 1/2 turn each time, and remove.

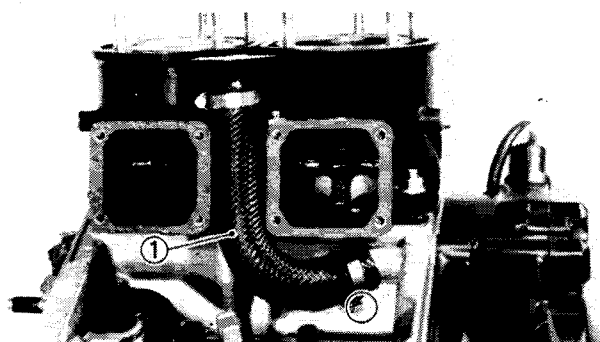


REED VALVE ASSEMBLY

1. Remove:
 - Pipe ①

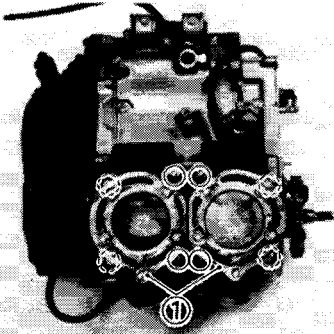


2. Remove:
 - Carburetor joint ①
 - Reed valve assembly

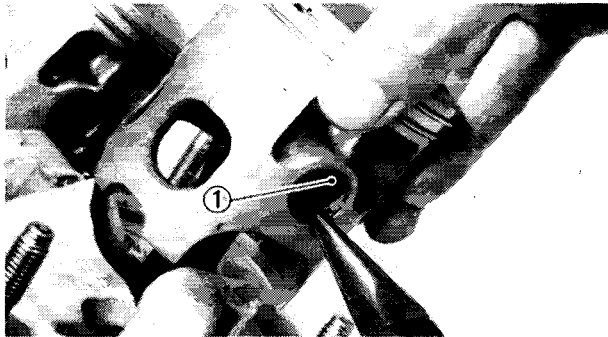


RADIATOR HOSE

1. Remove:
 - Radiator hose ①

**CYLINDER**

1. Remove:
 - Cylinders ①
 - Cylinder gaskets
 - Dowel pins
2. Place the cylinder in an inverted position, and drain the coolant.

**PISTON PIN AND PISTON**

1. Remove:
 - Piston pin clip ①

NOTE: _____

Before removing the piston pin clip, cover the crankcase with a clean rag so you will not accidentally drop the clip into the crankcase.



2. Remove:
 - Piston pin ①
 - Piston ②
 - Bearing (Small end)

NOTE: _____

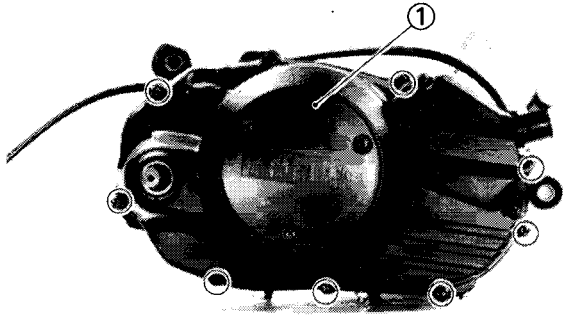
Before removing the piston pin, deburr the clip groove and pin hole area. If the piston pin groove is deburred and piston pin is still difficult to remove, use Piston Pin Puller (YU-01304).

CAUTION: _____

Do not use a hammer to drive the piston pin out.

**KICK CRANK**

1. Remove:
 - Kick crank

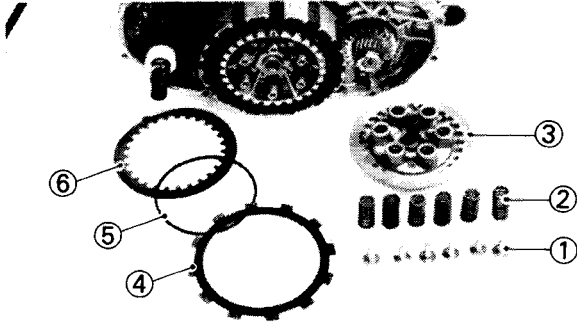
**CRANKCASE COVER (RIGHT)**

1. Remove:

- Crankcase cover (Right) ①
- Dowel pin

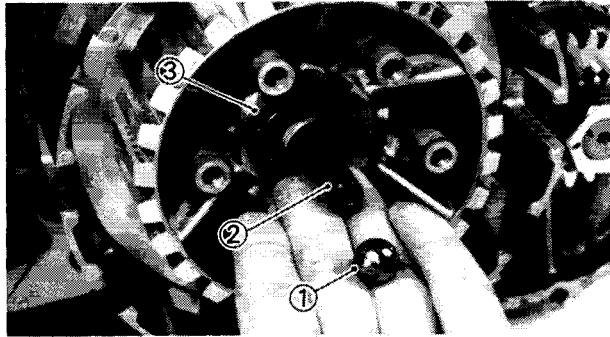
NOTE:

The crankcase cover can be removed without removing the water pump.

**CLUTCH AND PRIMARY DRIVE GEAR**

1. Remove:

- Clutch spring holding screws ①
- Clutch springs ②
- Pressure plate ③
- Friction plates ④
- Cushion rings ⑤
- Clutch plates ⑥

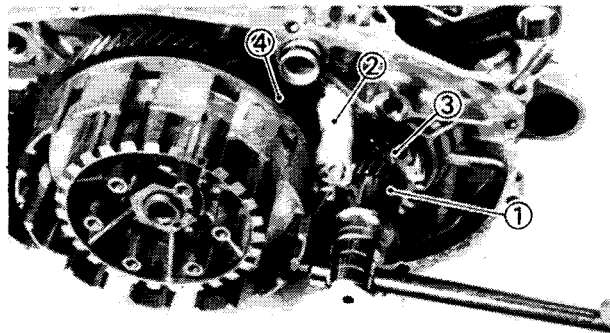


2. Remove:

- Ball ①
- Push rod #2 ②

3. Straighten:

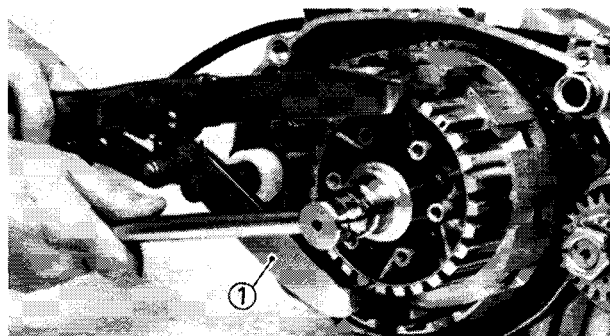
- Lock washer tab ③



4. Loosen:

- Nut ① (Primary drive gear)

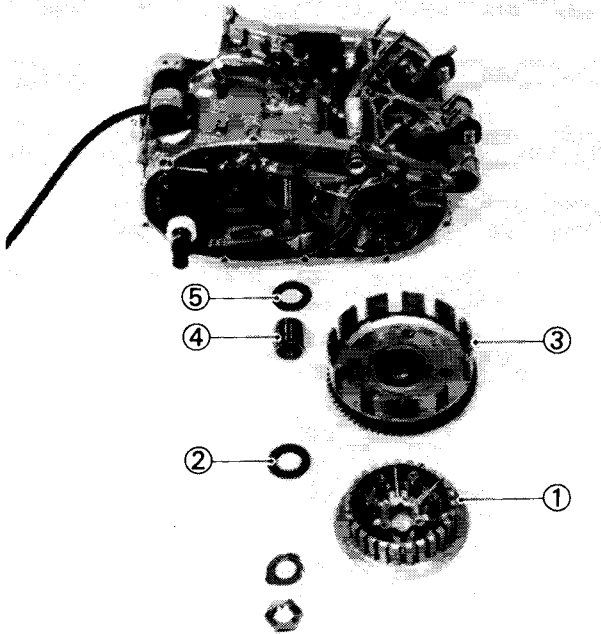
Place a folded rag ② between the teeth of the drive gear ③ and driven gear ④ to lock them.



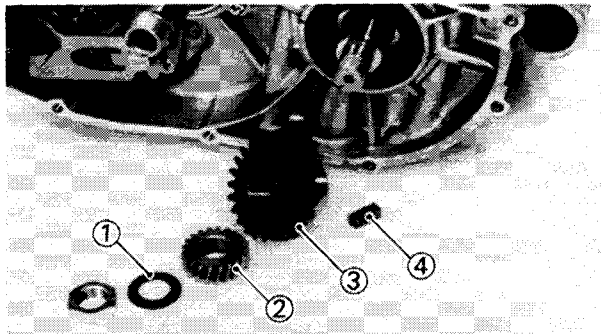
5. Loosen:

- Nut (Clutch boss)

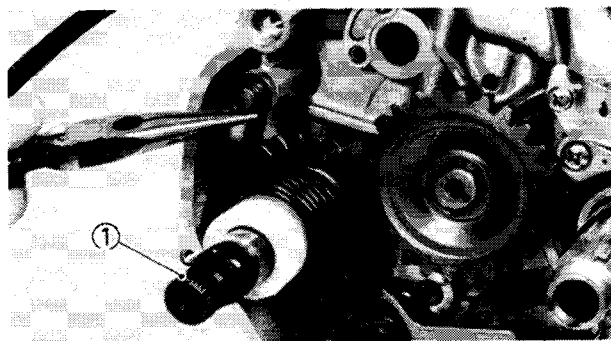
Use the Universal Clutch Holder ① (YM-91042).



6. Remove:
- Clutch boss ①
 - Thrust plate ②
 - Clutch housing ③
 - Spacer ④
 - Thrust plate ⑤

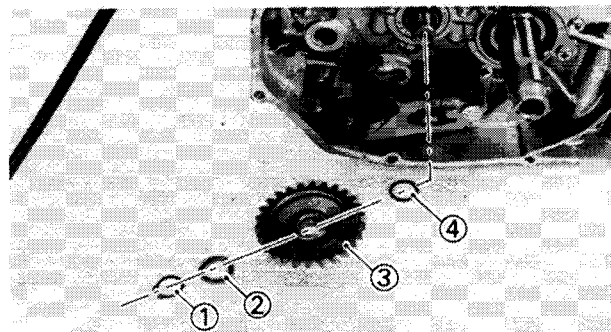


7. Remove:
- Conical spring washer ①
 - Water pump drive gear ②
 - Primary drive gear ③
 - Key ④

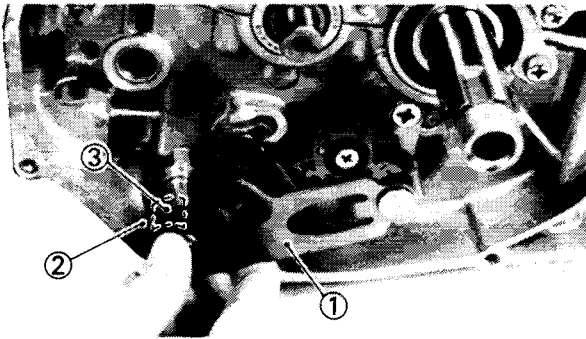


KICK AXLE

1. Unhook the kick spring from its position.
2. Remove:
 - Kick axle assembly ①

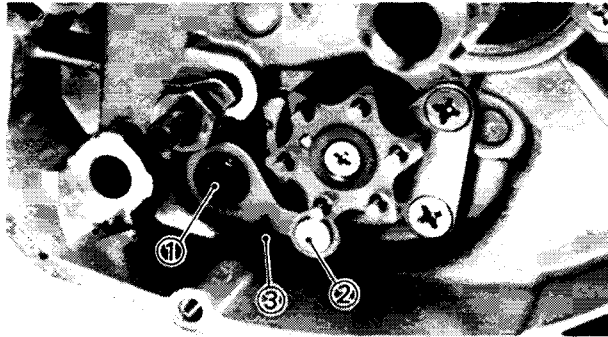


3. Remove:
 - Circlip ①
 - Washer ②
 - Kick idle gear ③
 - Plain washer ④

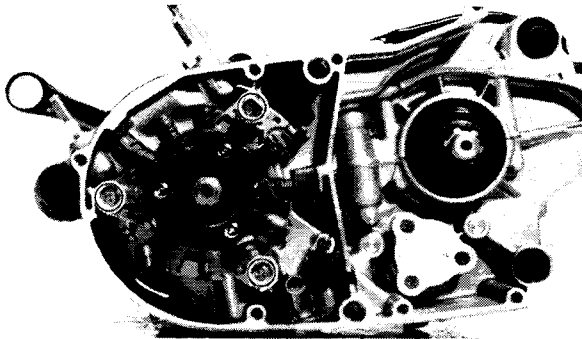


CHANGE SHAFT

1. Remove:
 - Change lever ①
 - Spring ②
 - Collar ③

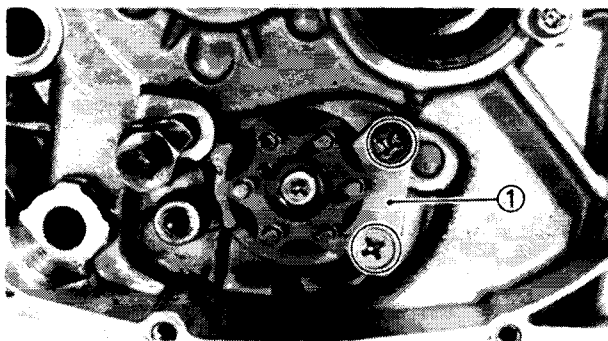


2. Unhook the torsion spring from its position.
3. Remove:
 - Securing bolt ①
 - Stopper lever ②
 - Spring ③



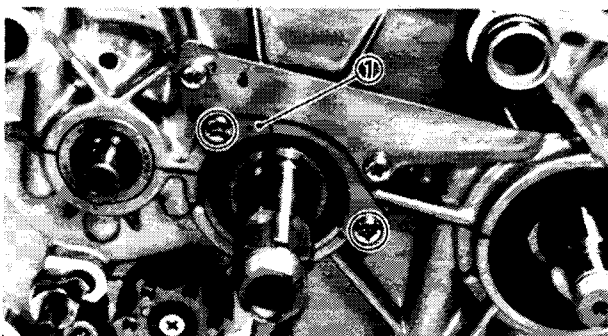
STATOR ASSEMBLY

1. Remove:
 - Stator assembly



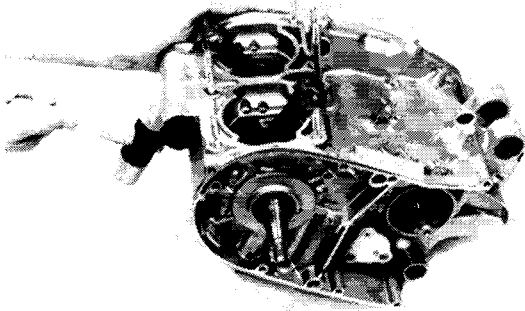
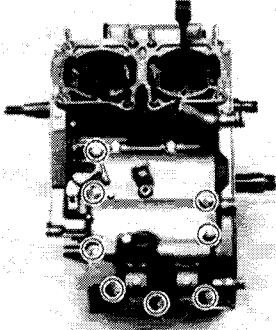
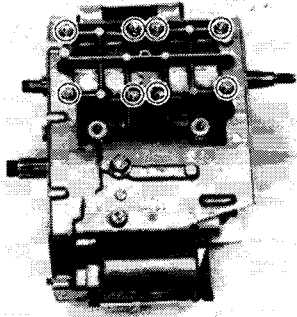
CAM STOPPER PLATE

1. Remove:
 - Cam stopper plate ①



BEARING STOPPER PLATE

1. Remove:
 - Bearing stopper plate ①



CRANKCASE

1. Remove:

- Nuts (Crankcase)
- Bolts (Crankcase)

NOTE:

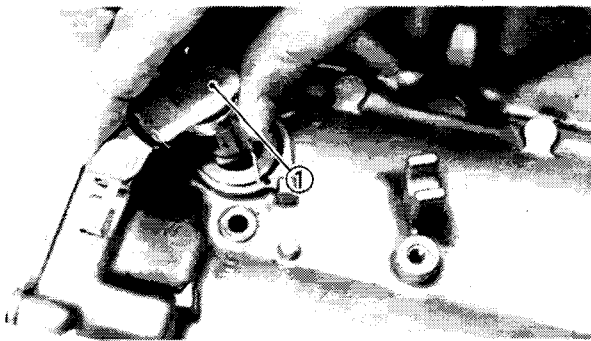
Loosen each bolt and nut 1/4 turn, and remove them after all are loosened.

2. Remove:

- Upper crankcase
- Dowel pins

NOTE:

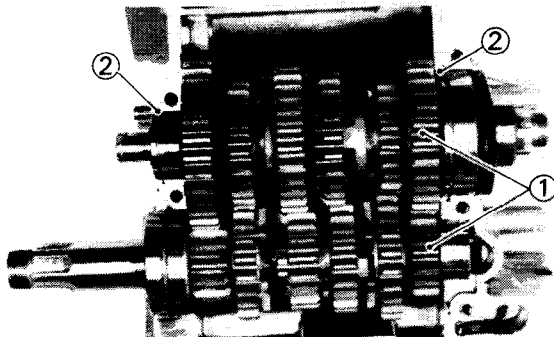
Split crankcase by lightly striking the front and rear parts of the upper crankcase.



PUSH LEVER

1. Remove:

- Push lever ①



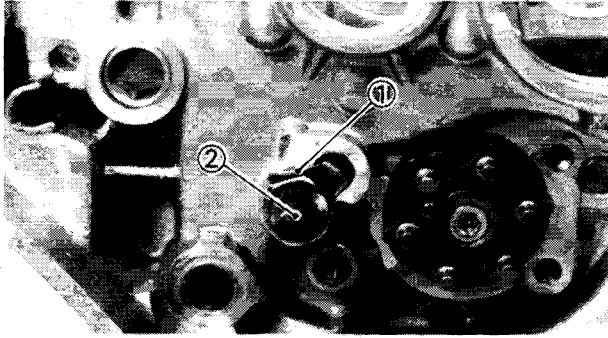
TRANSMISSION

1. Remove:

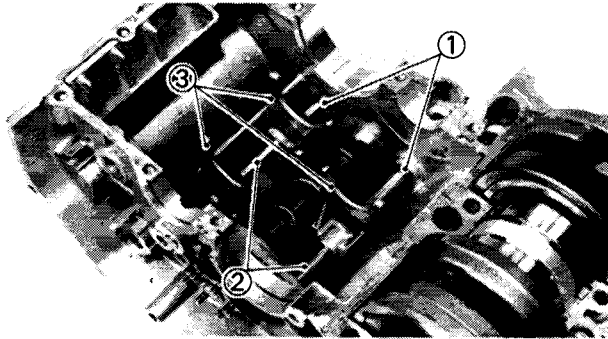
- Transmission assembly ①
- Circlips ②

NOTE:

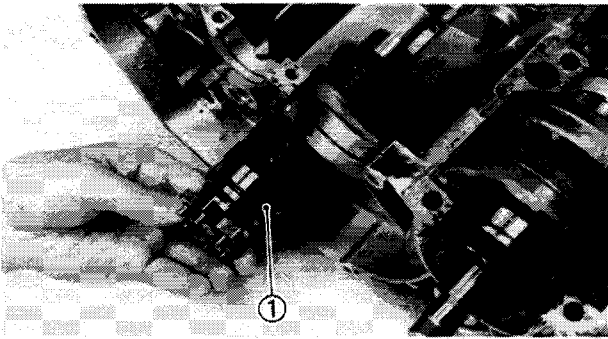
Remove the transmission by lightly striking it with a soft-faced hammer at case mating surface.

**SHIFTER**

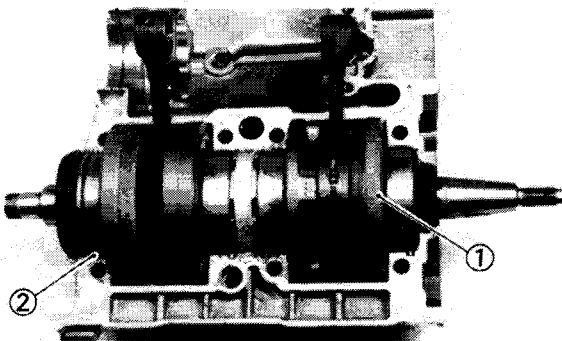
1. Straighten:
 - Lock washer tab ①
2. Remove:
 - Bolt ②



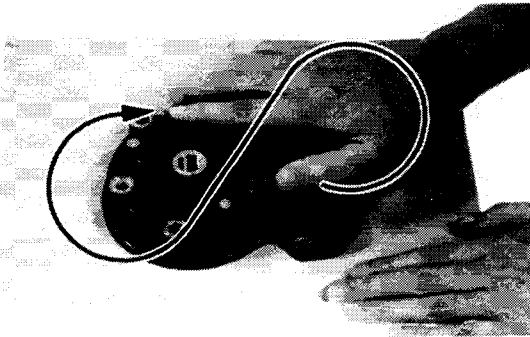
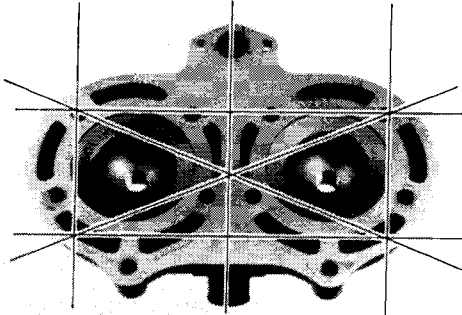
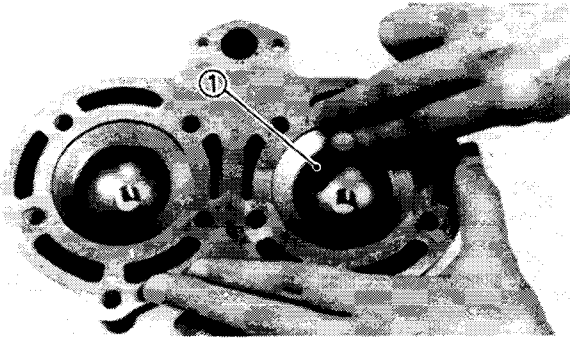
3. Remove:
 - Circlip ①
 - Guide bars ②
 - Shift forks ③



4. Remove:
 - Shift cam ①

**CRANKSHAFT**

1. Remove:
 - Crankshaft ①
 - Circlip ②



INSPECTION AND REPAIR CYLINDER HEAD

1. Remove:

- Carbon deposits
Use a scraper ①.

NOTE:

Take care to avoid damaging the spark plug threads. Do not use a sharp instrument. Avoid scratching the aluminum.

2. Inspect:

- Cylinder head water jacket crust of minerals/Rust → Remove.
- Cylinder head warpage out of specification → Re-surface.

Warpage measurement and re-surfacing steps:

- Attach a straight edge and a thickness gauge on the cylinder head.
- Measure the warpage limit.



Warpage Limit:
0.03 mm (0.0012 in)

- If the warpage is out of specification, re-surface the cylinder head.
- Place a 400 ~ 600 grit wet sandpaper on the surface plate, and re-surface the head using a figure-eight sanding pattern.

NOTE:

Rotate the head several times to avoid removing too much material from one side.

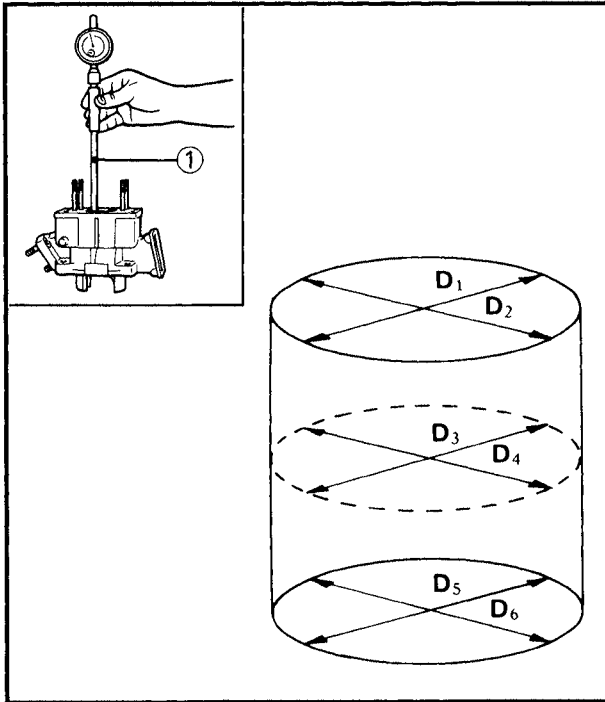
CYLINDER

1. Remove:

- Carbon deposits
Use a rounded scraper.

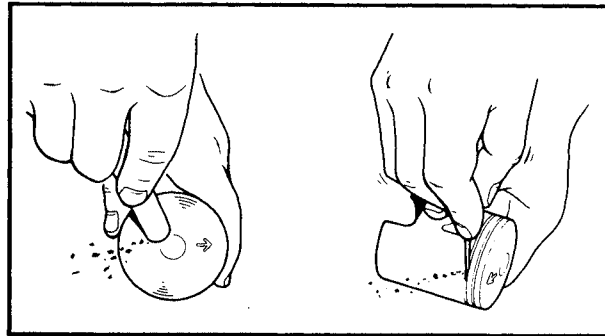
2. Inspect:

- Cylinder water jacket
Crust of minerals/Rust → Remove.
- Cylinder wall
Wear/Scratches → Rebore or replace.



3. Measure:
- Cylinder bore "C"
 - Out of specification → Rebore.
 - Use a Cylinder Bore Gauge ①.

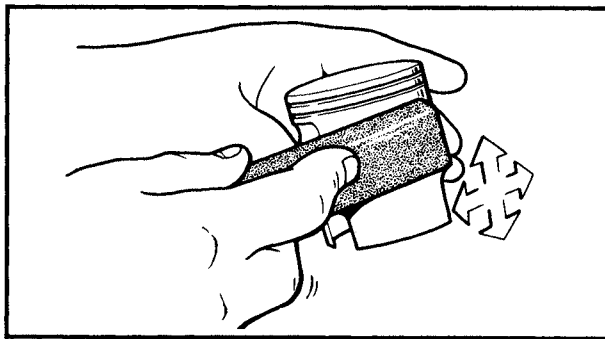
	Standard	Wear limit
Cylinder bore "C"	64.00 mm (2.520 in)	64.10 mm (2.524 in)
Taper "T"	—	0.05 mm (0.002 in)
Out of round "R"	—	0.01 mm (0.0004 in)
C = Maximum D T = (Maximum D ₁ or D ₂) — (Minimum D ₅ or D ₆) R = (Maximum D ₁ , D ₃ or D ₅) — (Minimum D ₂ , D ₄ or D ₆)		



PISTON, PISTON RING AND PISTON PIN

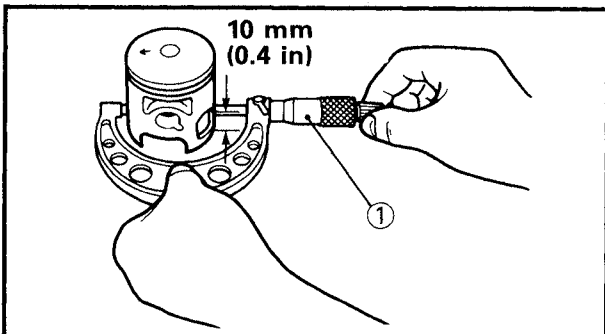
Piston

1. Remove:
- Carbon deposits
 - From the piston crown and ring grooves.
2. Inspect:
- Piston wall
 - Wear/Scratches/Damage → Replace.



3. Remove:
- Score marks and lacquer deposits
 - From the sides of piston.
 - Use a 600 ~ 800 grit wet sandpaper.

NOTE: _____
 Sand in a crisscross pattern. Do not sand excessively.



4. Measure:
- Piston outside diameter "P"
 - Out of specification → Replace.
 - Use a Micrometer ①.

NOTE: _____
 Measurement should be made at a point 10 mm (0.4 in) above the bottom edge of the piston.



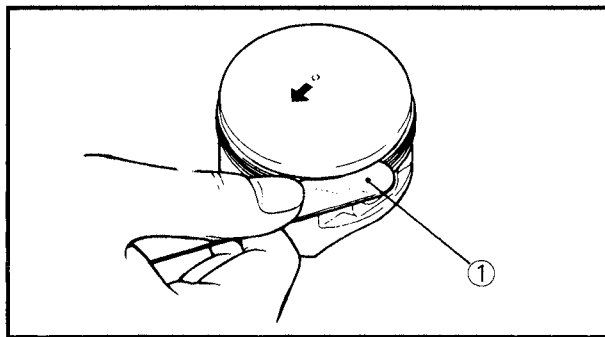
Piston Outside Diameter "P"	
Standard	63.94 ~ 64.00 mm (2.517 ~ 2.521 in)
Oversize 1	64.25 mm (2.53 in)
Oversize 2	64.50 mm (2.54 in)

5. Measure:

- Piston Clearance

Out of specification → Rebore cylinder or replace piston.

Piston Clearance = C - P:	
0.060 ~ 0.065 mm (0.0024 ~ 0.0026 in)	
C: Cylinder Bore	
P: Piston Outside Diameter	



Piston Ring

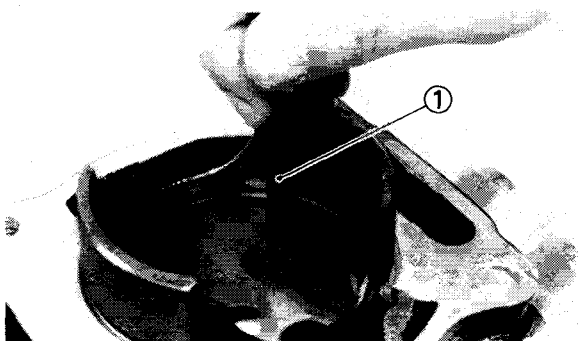
1. Measure:

- Side clearance

Out of specification → Replace piston and/or rings.

Use the Feeler Gauge ①.

	Side clearance	
	Standard	Limit
Top Ring	0.02 ~ 0.06 mm (0.0008 ~ 0.0024 in)	0.12 mm (0.0047 in)
2nd Ring	0.02 ~ 0.06 mm (0.0008 ~ 0.0024 in)	0.12 mm (0.0047 in)



2. Position:

- Piston ring

Into the cylinder.

Push the ring with the piston crown.

3. Measure:

- End gap

Out of specification → Replace rings as a set.

Use a Feeler Gauge ①.



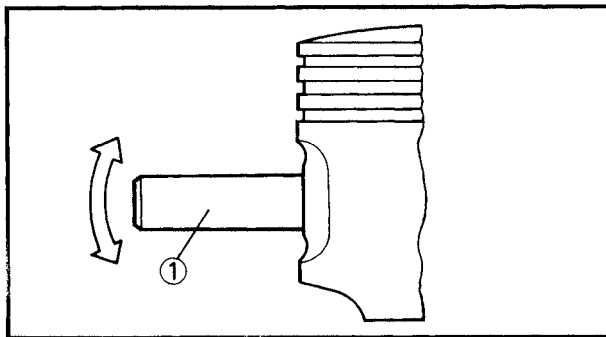
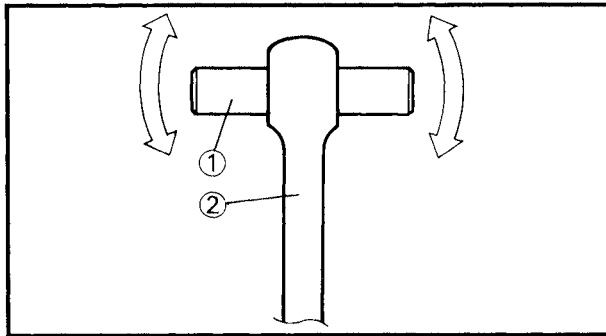
	End Gap	
	Standard	Limit
Top ring	0.30 ~ 0.45 mm (0.012 ~ 0.018 in)	0.70 mm (0.028 in)
2nd ring	0.30 ~ 0.45 mm (0.012 ~ 0.018 in)	0.70 mm (0.028 in)

Piston Ring Oversize

- Top and 2nd piston ring

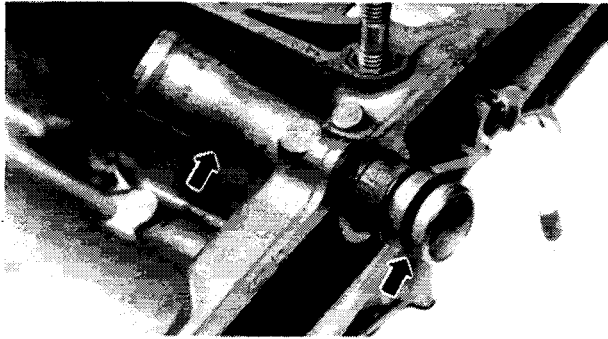
Oversize top and 2nd ring sizes are stamped on top of ring.

Oversize 1	"25"	0.25 mm (0.0098 in)
Oversize 2	"50"	0.50 mm (0.0197 in)



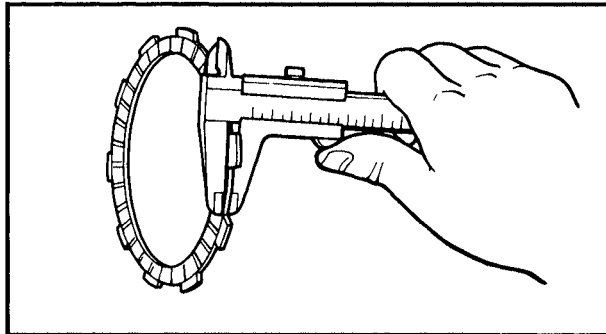
Piston Pin

- Lubricate:
 - Piston pin (lightly)
- Install:
 - Piston pin ①
Into the small end of connecting rod ②.
- Check:
 - Free play
There should be no noticeable for the play.
Free play exists → Inspect the connecting rod for wear/Replace the pin and/or connecting rod as required.
- Install:
 - Piston Pin ①
Into the piston.
- Check:
 - Free play (when the piston pin is in place in the piston)
There should be no noticeable for the play.
Free play exists → Replace piston pin and/or piston.
- Inspect:
 - Piston pin and bearing
Signs of heat discoloration → Replace.



JOINT PIPE

1. Inspect:
 - Joint pipe
Crack → Replace.
 - O-ring
Damage → Replace.

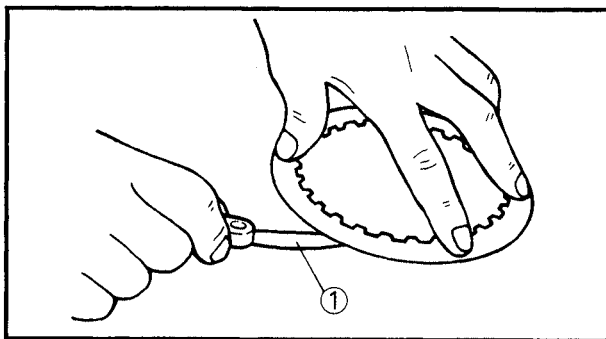


CLUTCH

Friction Plates

1. Inspect:
 - Friction plate
Damage/Wear → Replace friction plate as a set.
2. Measure:
 - Friction plate thickness
Out of specification → Replace friction plate as a set.
Measure at all four point.

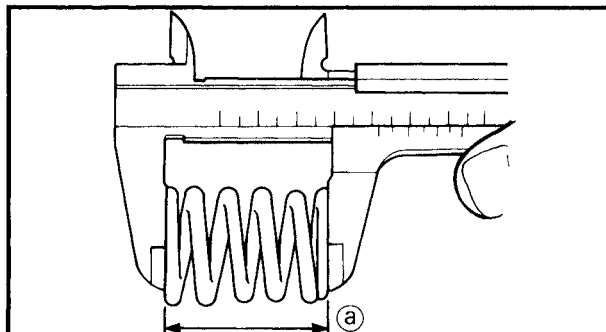
	Friction Plate Thickness
Wear Limit	2.7 mm (0.106 in)



Clutch Plates

1. Measure:
 - Clutch plate warpage
Out of specification → Replace clutch plate as a set.
Use a surface plate and feeler gauge ①.

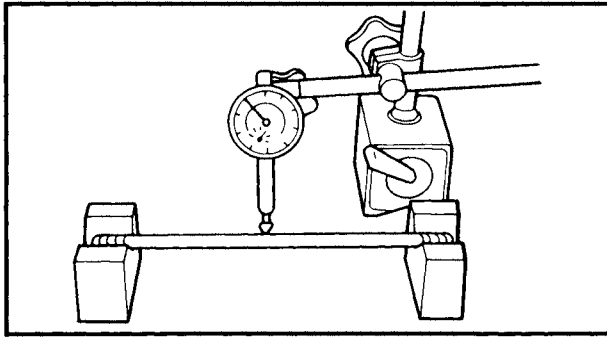
	Warp Limit: 0.05 mm (0.002 in)
--	---



Clutch Spring

1. Measure:
 - Clutch spring free length (a)
Out of specification → Replace spring as a set.

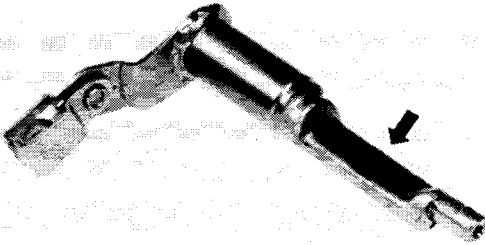
	Clutch Spring Minimum Length: 34.4 mm (1.35 in)
--	--



Push Lod

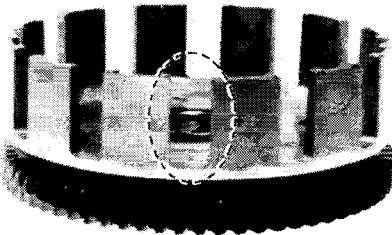
1. Measure:
 - Push rod runout (Long rod)
 - Out of specification → Replace.
 - Use the V-Blocks and Dial Gauge.

Bending Limit:
0.2 mm (0.008 in)



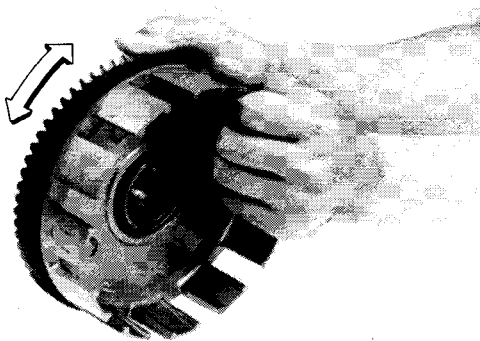
Push Lever

1. Inspect:
 - Push lever
 - Wear/Damage → Repair using 300 ~ 400 grit sand paper or replace.

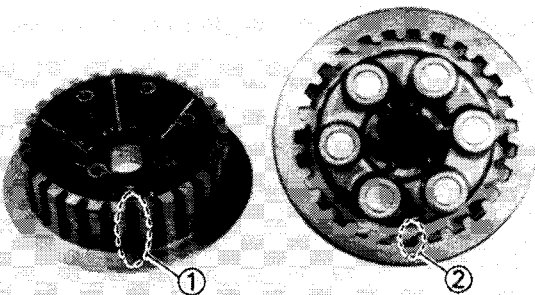


Clutch Housing

1. Inspect:
 - Dogs on the clutch housing
 - Cracks/Wear/Damage → Deburr or replace.
 - Clutch housing bearing
 - Chafing/Wear/Damage → Replace.



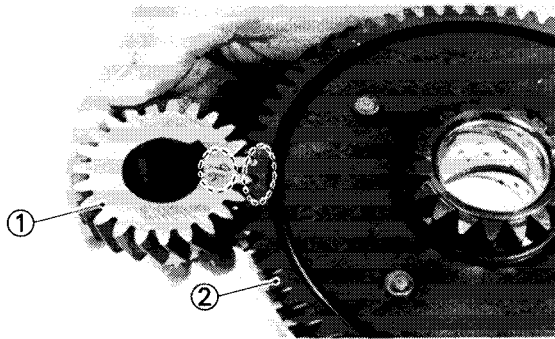
2. Check:
 - Circumferential play
 - Free play exists → Replace.



Clutch Boss and Pressure Plate

1. Inspect:
 - Clutch boss splines ①.
 - Pressure plate ②
 - Scoring/Wear/Damage → Replace clutch boss and/or pressure plate.

NOTE: _____
 Scoring on the clutch boss splines will cause erratic operation.

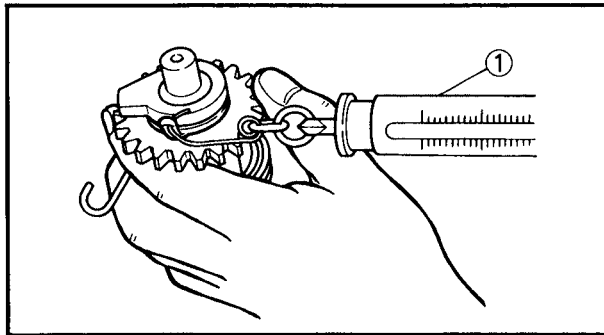


PRIMARY DRIVE GEAR

1. Inspect:
 - Drive gear and driven gear
Pitting/Wear/Damage → Replace.
2. It is always advisable to pay strict attention to the lash numbers (mark) during replacement. Marks are scribed on the side of each gear. Match these marks.

- ① Drive gear
- ② Driven gear

Primary drive gear	Primary driven gear	Lash tolerance A + B
Lash number A	Lash number B	
90 ~ 98	57 ~ 65	154 ~ 156



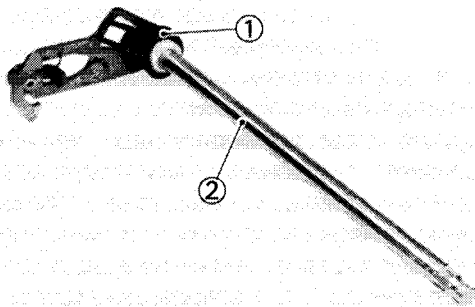
KICK STARTER

1. Inspect:
 - Kick axle
Damage/Wear → Replace.
2. Measure:
 - Kick spring tension
Out of specification → Replace.
Use a spring balance ①.

	Standard Tension:
	0.8 ~ 1.3 kg (1.8 ~ 2.9 lb)

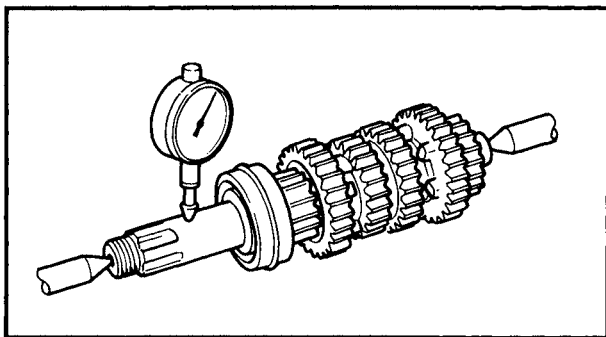
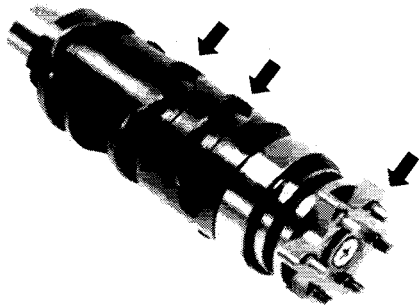
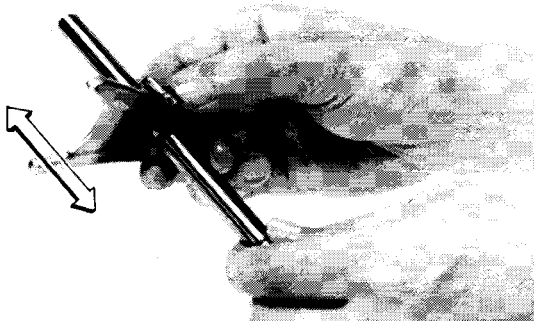
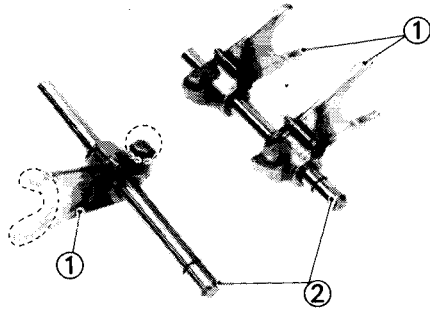
CAUTION:

Do not try to bend the clip.



SHIFTER

1. Inspect:
 - Shift return spring ①
Damage → Replace.
 - Change shaft ②
Damage/Bends/Wear → Replace.



TRANSMISSION

Shift Fork

1. Inspect:

- Shift forks ① (Gear and shift cam contact surfaces)
Wear/Chafing/Bends/Damage → Replace.
- Guide bars ②
Bends/Wear → Replace.

2. Check:

- Shift fork movement
On its guide bar.
Unsmooth operation → Replace shift fork and/or guide bar.

Shift Cam

1. Inspect:

- Shift cam grooves
Wear/Damage/Scratches → Replace.
- Shift cam segment
Damage/Wear → Replace.

Main and Drive Axles

1. Measure:

- Axle runout
Out of specification → Replace.
Use centering device and Dial Gauge.



Runout Limit:
0.08 mm (0.0031 in)

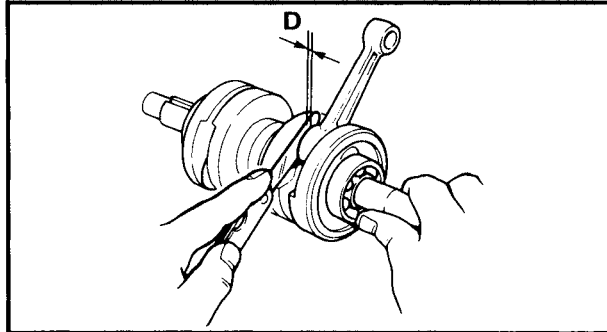
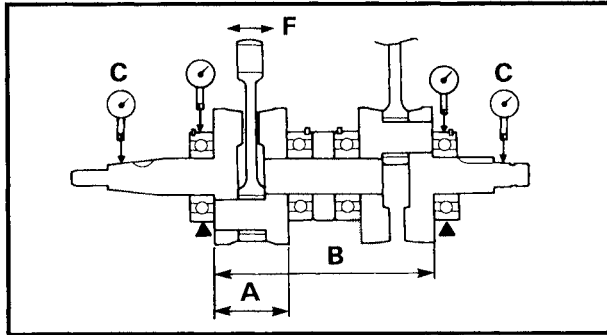
Gears

1. Inspect:

- Gears
- Mating dogs
Cracks/Damage/Wear → Replace.

2. Check:

- Gear movement
Unsmooth operation → Replace.



CRANKSHAFT

Crankshaft Inspection

1. Measure:

- Assembly width "A" and "B"
Use the V-blocks.
Out of specification → Replace.



Assembly Width "A":

53.95 ~ 54.00 mm
(2.124 ~ 2.126 in)

Assembly Width "B":

155.90 ~ 156.05 mm
(6.138 ~ 6.144 in)

- Big end side clearance "D"

Use a Feeler Gauge.

Out of specification → Disassemble the crankshaft and replace worn parts, then reassemble the crankshaft.



Big End Side Clearance Limit

"D":

0.25 ~ 0.75 mm (0.0098 ~ 0.0295 in)

- Runout "C"

Use the V-blocks and Dial Gauge.

Out of specification → Correct any misalignment.



Runout Limit "C":

0.05 mm (0.002 in)

- Small end free play "F"

Use the V-blocks and Dial Gauge.

Out of specification → Disassemble the crankshaft, and replace the defective parts, then reassemble the crankshaft.



Small End Free Play "F":

Standard: 0.36 ~ 0.98 mm
(0.0142 ~ 0.0386 in)

Limit: 2.0 mm (0.08 in)

2. Inspect:

- Crankshaft bearing surfaces
Wear/Scratches/Rust spots → Replace.

NOTE:

Lubricate the bearing immediately after examining then to prevent rust.



BEARINGS AND OIL SEALS

1. Inspect:

- Bearings
Pitting/Damage→Replace.
- Oil seal lips
Damage/Wear→Replace.

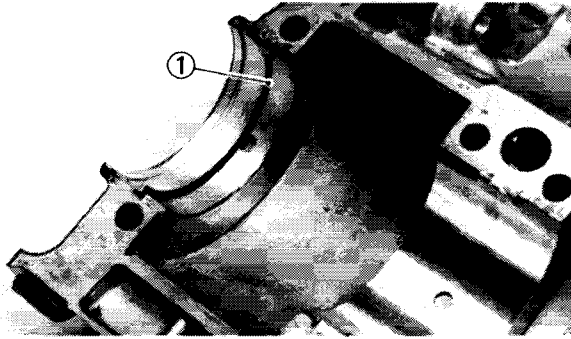
CIRCLIPS AND WASHERS

1. Inspect:

- Circlips
- Washers
Damage/Looseness/Bends→Replace.

CRANKCASE

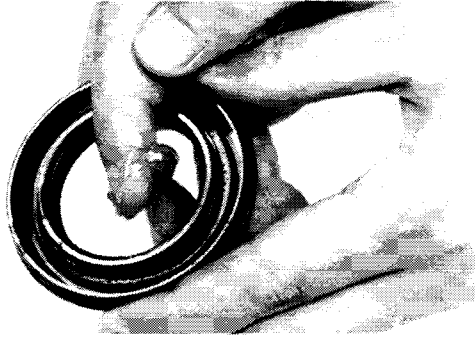
1. Thoroughly wash the case halves in mild solvent.
2. Clean all the gasket mating surfaces and crankcase mating surfaces thoroughly.
3. Inspect:
 - Crankcase
Cracks/Damage→Replace.
 - Oil delivery passages
Clog→Blow out with compressed air.



ENGINE ASSEMBLY AND ADJUSTMENT

CRANKSHAFT

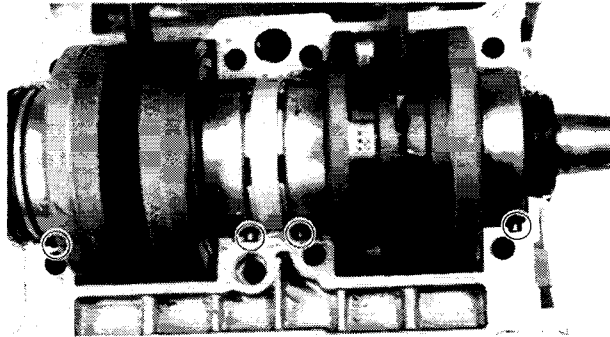
1. Install:
 - Circlip ①
On the clutch side.



2. Apply:
To oil seal lips and bearing.



Light Weight Lithium Base Grease



3. Install:
 - Crankshaft

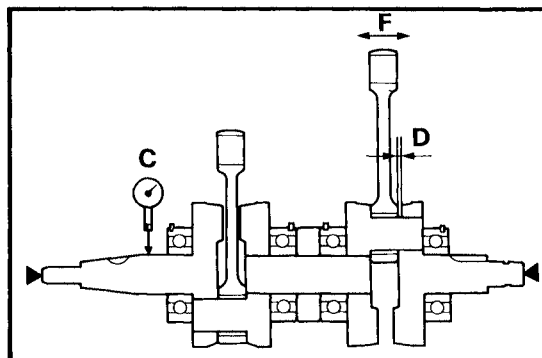
NOTE: _____

Align the bearing knock pin with the pin slot in the crankcase lower half.



CRANKSHAFT/PISTON

- | | |
|---------------------|----------------------|
| ① Oil seal | ⑩ Bearing |
| ② Bearing | ⑪ Circlip |
| ③ Woodruff key | ⑫ Oil seal |
| ④ Crank (Left) | ⑬ Piston pin bearing |
| ⑤ Washer | ⑭ Piston pin clip |
| ⑥ Connecting rod | ⑮ Piston pin |
| ⑦ Crank pin bearing | ⑯ Piston pin clip |
| ⑧ Washer | ⑰ Piston |
| ⑨ Crank (Right) | ⑱ Piston ring set |



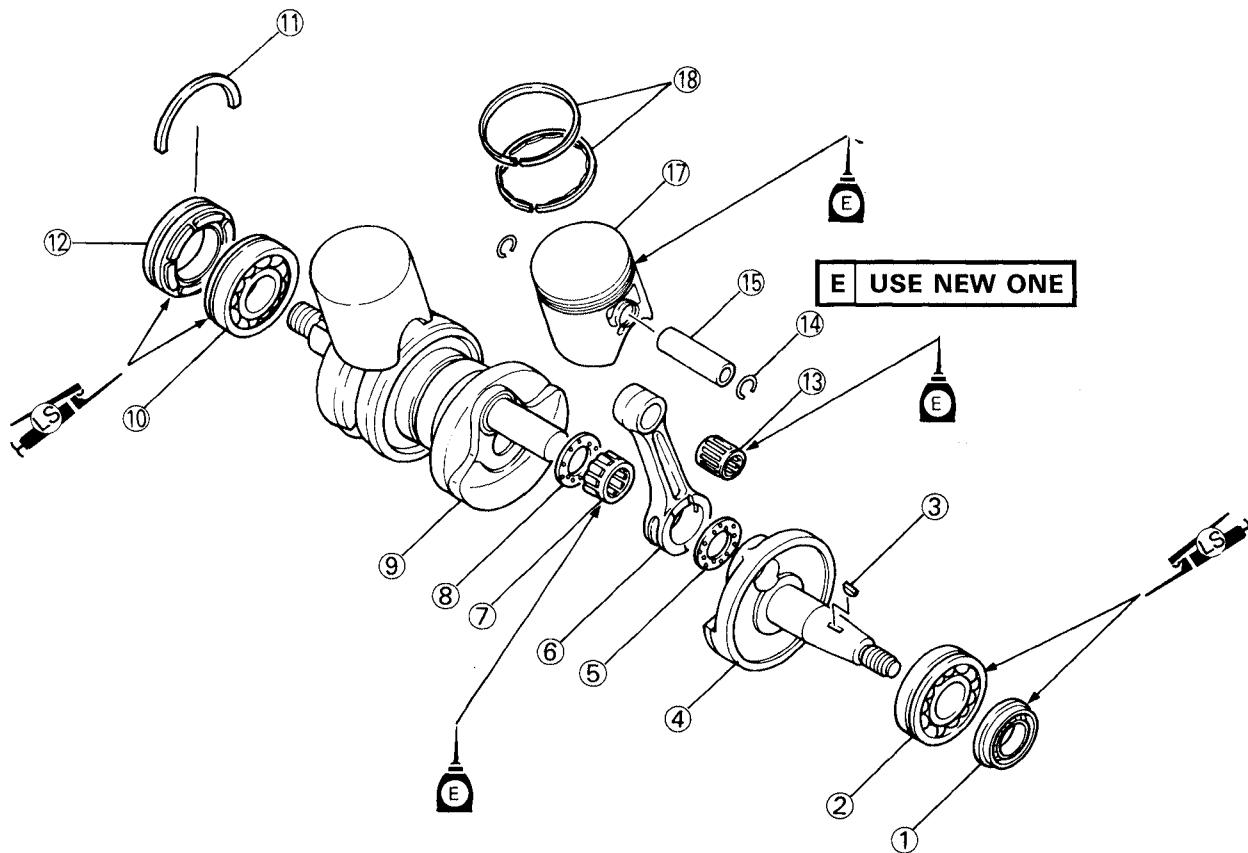
A PISTON TO CYLINDER CLEARANCE:
0.060 ~ 0.065 mm (0.0024 ~ 0.0026 in)

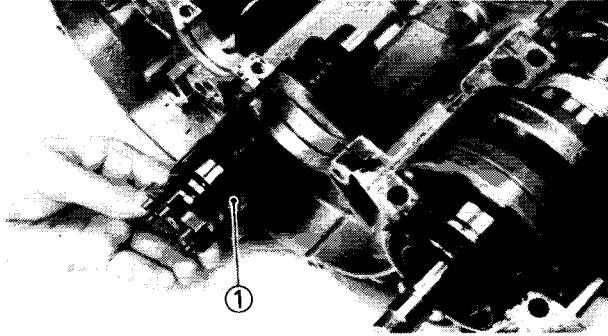
B END GAP (INSTALLED):
TOP RING
0.30 ~ 0.45 mm (0.012 ~ 0.018 in)
2nd RING
0.30 ~ 0.45 mm (0.012 ~ 0.018 in)

D SIDE CLEARANCE:
TOP RING
0.02 ~ 0.06 mm (0.0008 ~ 0.0024 in)
2nd RING
0.02 ~ 0.06 mm (0.0008 ~ 0.0024 in)

C CRANKSHAFT:

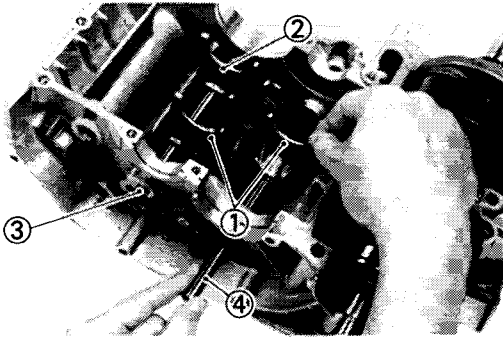
RUNOUT LIMIT "C":
0.05 mm (0.002 in)
BIG END SIDE CLEARANCE "D":
0.25 ~ 0.75 mm (0.01 ~ 0.03 in)
SMALL END FREE PLAY "F":
0.36 ~ 0.98 mm (0.0142 ~ 0.0386 in)



**SHIFTER**

1. Install:

- Shift cam (1)

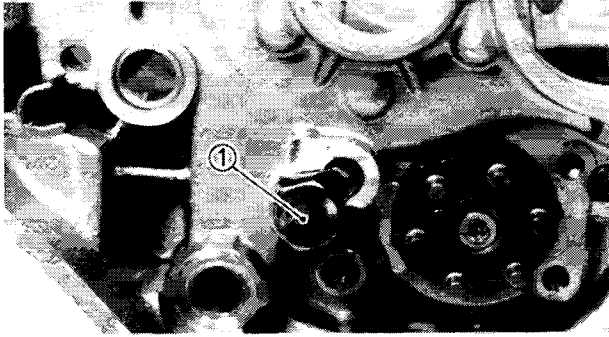


2. Install:

- Shift forks #1 (1)
- Shift fork #2 (2)
- Guide bar #1 (Longer) (3)
- Guide bar #2 (Shorter) (4)

NOTE:

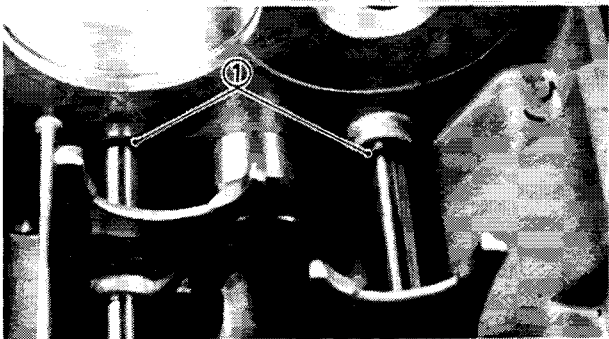
Each shift fork is identified by a number cast on its side.



3. Install:

- Bolt (1)

4. Bend the lock washer tab along the nut flats.



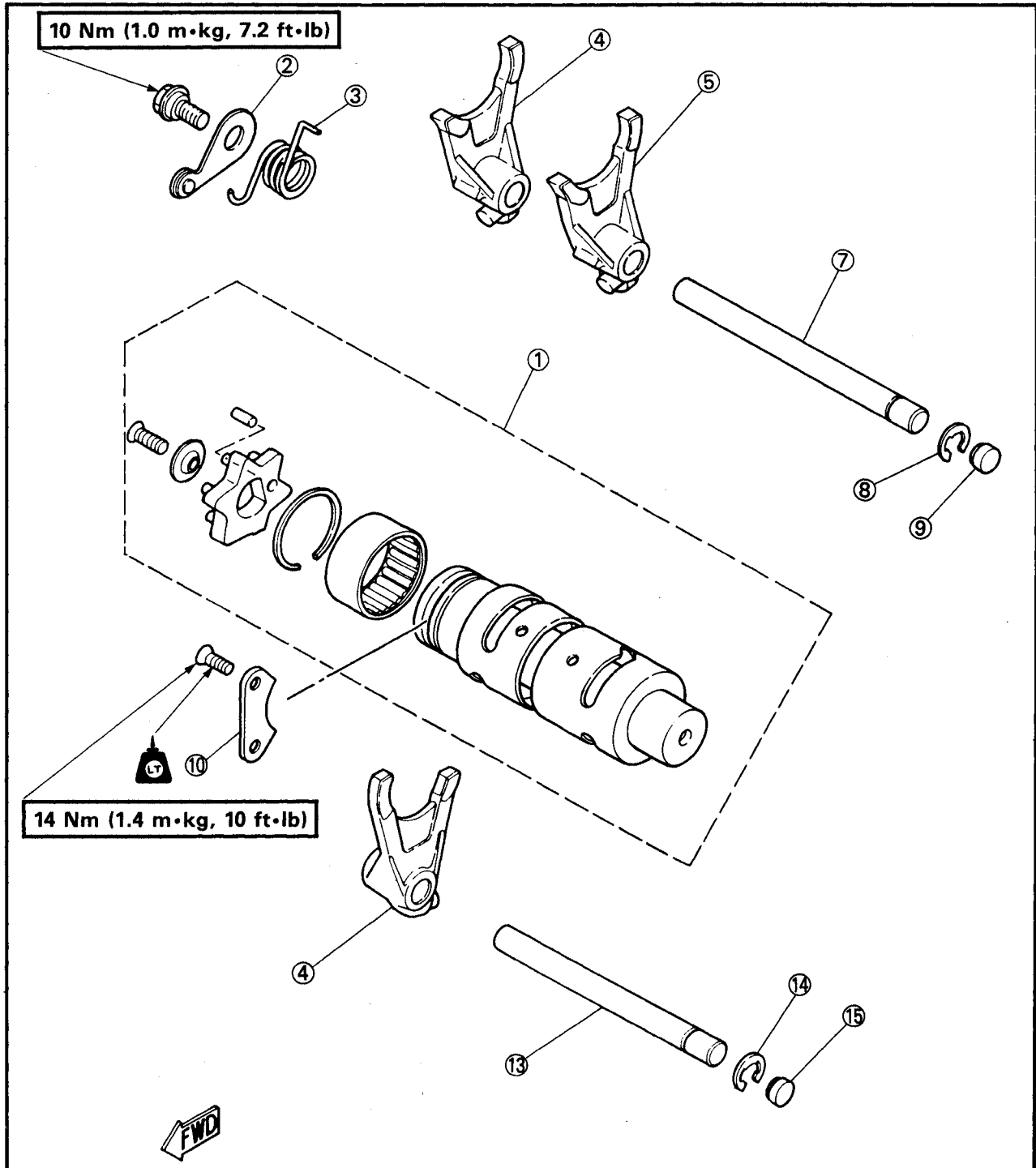
5. Install:

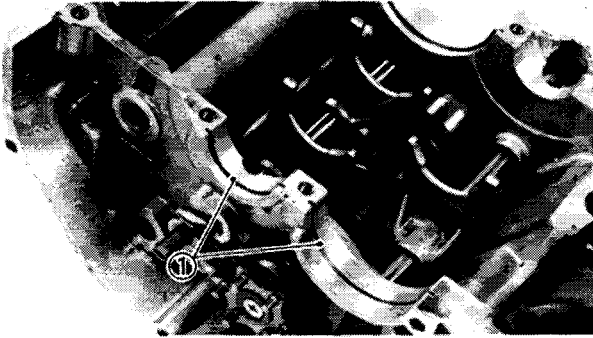
- Circlips (1) (Guide bar)



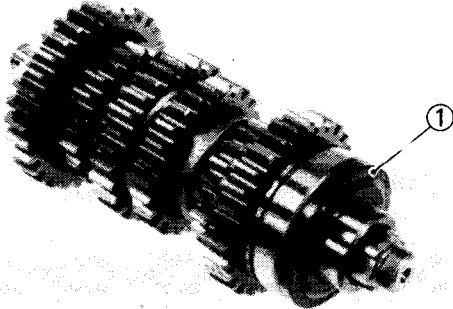
SHIFTER

- ① Shift cam
- ② Stopper lever
- ③ Spring
- ④ Shift fork #1
- ⑤ Shift fork #2
- ⑥ Guide bar
- ⑦ Circlip
- ⑧ Plug
- ⑨ Cam stopper plate
- ⑩ Guide bar
- ⑪ Circlip
- ⑫ Plug

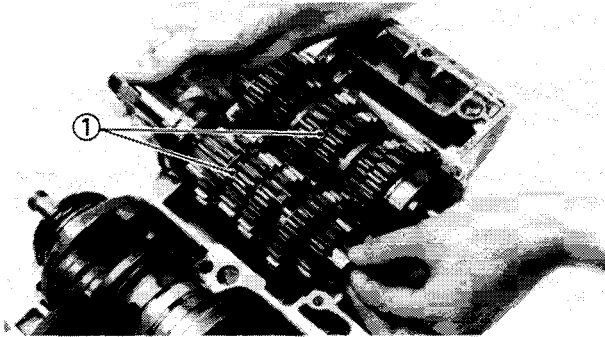


**TRANSMISSION**

1. Install:
 - Circlips ①



2. Install:
 - Oil seal ①
To drive axle.



3. Install:
 - Transmission assembly ①

NOTE:

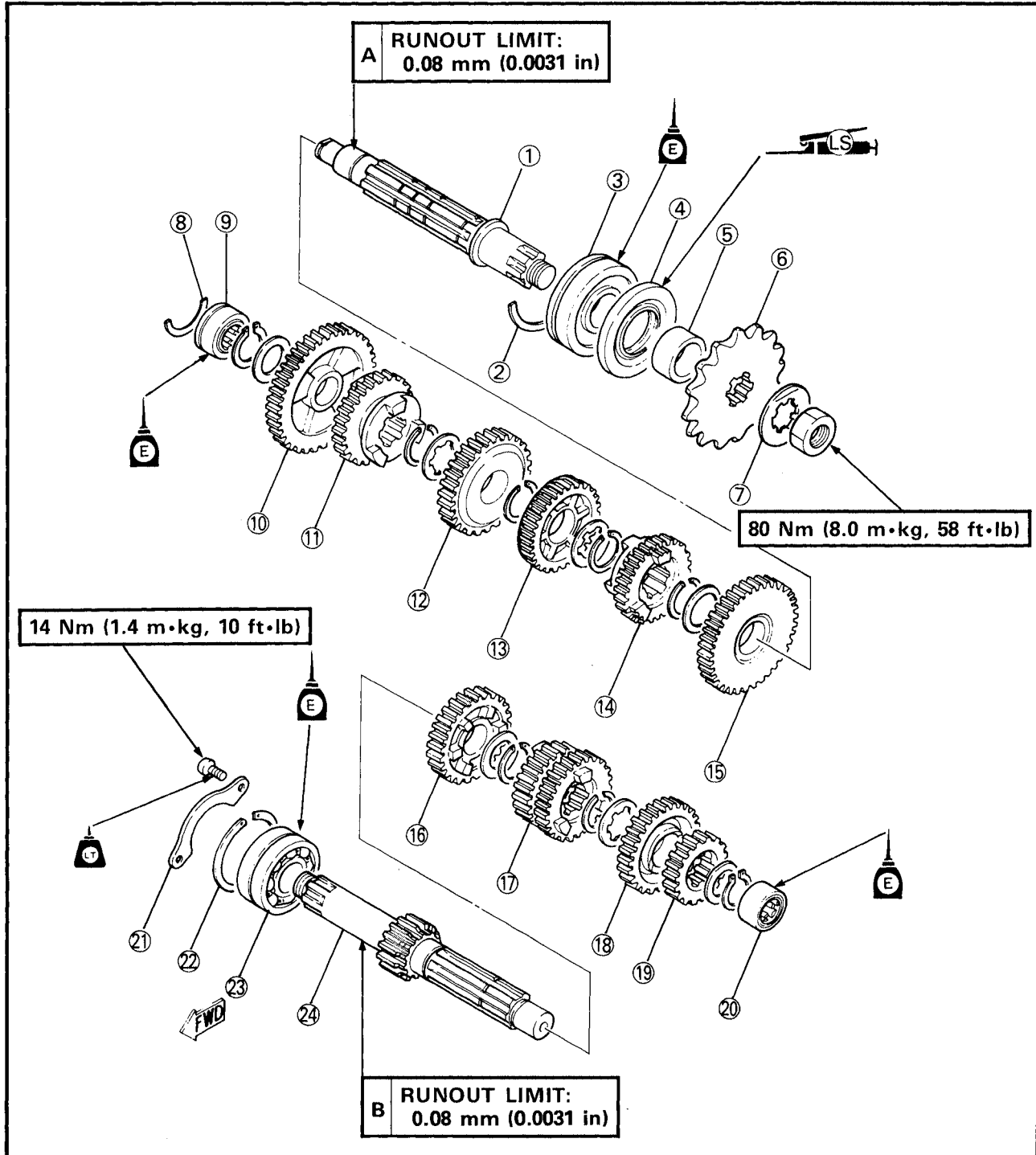
- Be sure axle circlips are fitted to bearings and circlips have been positioned in circlip grooves.
- Transmission installation is easier if shift cam is rotated to neutral position.

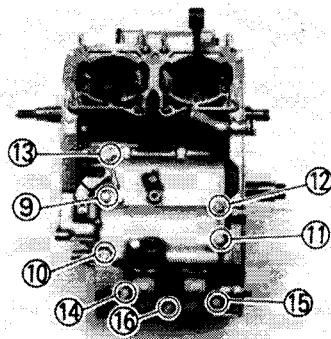
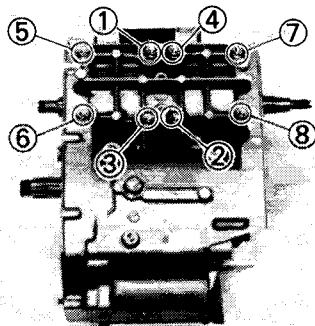
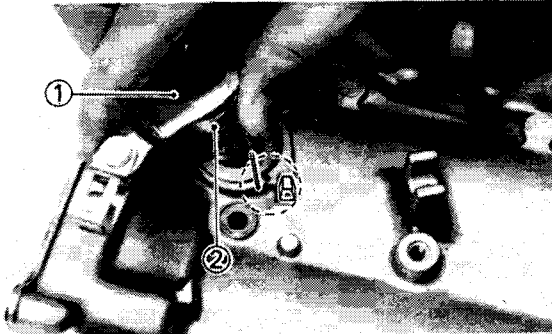
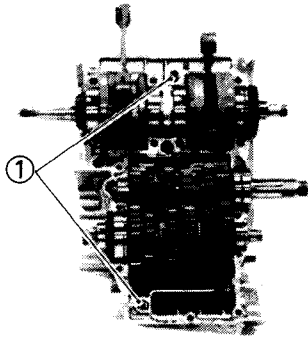
4. Check:
 - Shifter operation.
Unsmooth operation→Repair.
 - Transmission operation
Unsmooth operation→Repair.



TRANSMISSION

- | | | |
|------------------|-------------------|---------------------------|
| ① Drive axle | ⑨ Bearing | ⑰ 3rd and 4th pinion gear |
| ② Circlip | ⑩ 1st wheel gear | ⑱ 6th pinion gear |
| ③ Bearing | ⑪ 5th wheel gear | ⑲ 2nd pinion gear |
| ④ Oil seal | ⑫ 3rd wheel gear | ⑳ Bearing |
| ⑤ Collar | ⑬ 4th wheel gear | ㉑ Bearing stopper plate |
| ⑥ Drive sprocket | ⑭ 6th wheel gear | ㉒ Circlip |
| ⑦ Lock washer | ⑮ 2nd wheel gear | ㉓ Bearing |
| ⑧ Circlip | ⑯ 5th pinion gear | ㉔ Main axle |





CRANKCASE

1. Apply:
 - Yamabond No.4® (ACC-11001-30-00)
To the mating surfaces of both case halves.
2. Install:
 - Dowel pins ①
3. Install:
 - Clutch push lever ①
4. Set the push lever axle spring ② to its position.
5. Install:
 - Upper crankcase
6. Tighten:
 - Bolts (Crankcase)

Securing bolts tightening steps:

- Temporarily tighten ① to ⑧ and next ⑨ to ⑯, in that order.
- Tighten ⑨ to ⑯.



5 Nm (0.5 m•kg, 3.6 ft•lb)

- Tighten ① to ⑧.



10 Nm (1.0 m•kg, 7.2 ft•lb)

- Tighten ① to ⑧.



25 Nm (2.5 m•kg, 18 ft•lb)

- Tighten ⑨ to ⑯.

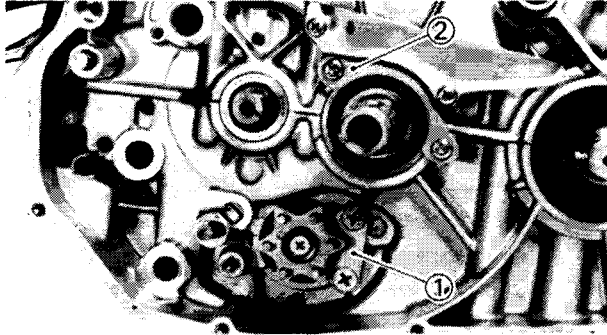


10 Nm (1.0 m•kg, 7.2 ft•lb)

NOTE: _____
Be sure to secure wire holder clamps together.



5. Apply:
 - 2-stroke oil
To the crank pin, bearing and oil delivery hole.
6. Check:
 - Crankshaft and transmission operation
Unsmooth operation → Repair.



7. Install:
 - Cam stopper plate ①
 - Bearing stopper plate ②
8. Tighten:
 - Screws (cam stopper plate).

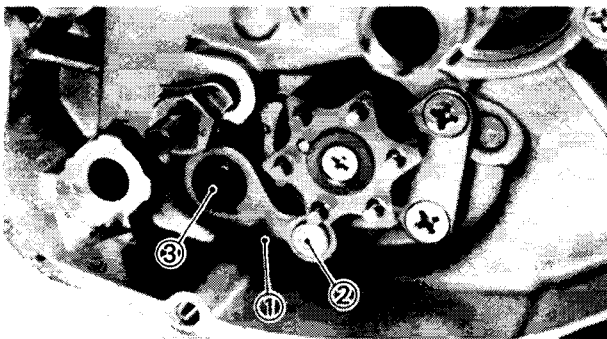


Screws (Cam Stopper Plate):
14 Nm (1.4 m•kg, 10 ft•lb)
LOCTITE®

- Screws (Bearing stopper plate)



Screws (Bearing Stopper Plate):
14 Nm (1.4 m•kg, 10 ft•lb)
LOCTITE®

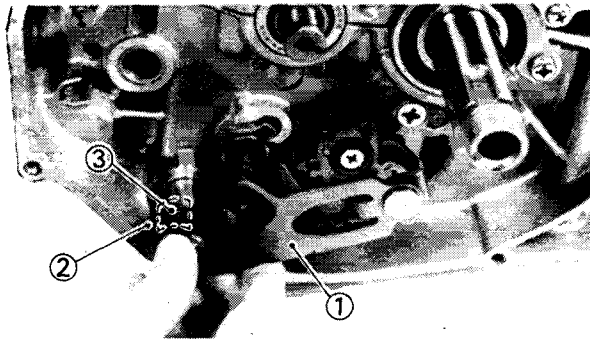


CHANGE SHAFT

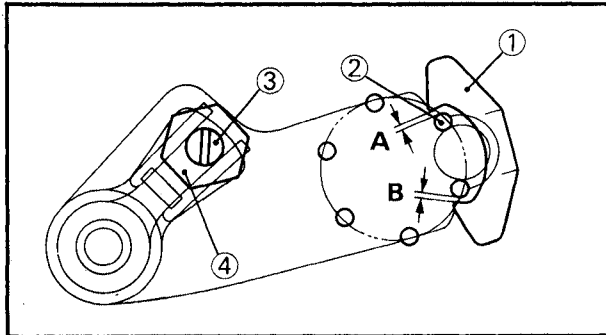
1. Install:
 - Spring ①
 - Stopper lever ②
 - Securing bolt ③
2. Set the stopper lever and torsion spring as properly position.
3. Tighten:
 - Securing bolt ③



Securing Bolt:
10 Nm (1.0 m•kg, 7.2 ft•lb)
LOCTITE®



4. Install:
 - Change lever ①
 - Spring ②
 - Collar ③
5. Check:
 - Change operation
 - Unsmooth operation → Repair.



6. Check
 - Change lever position
 - Gap (A) and (B) are not equal → Adjust.

Change lever position adjustment steps:

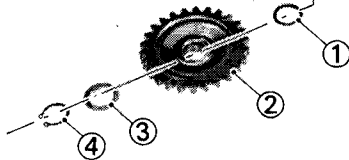
- Straighten the lock washer tab.
- Loosen the lock nut ④.
- Turn the adjuster ③ in or out until gap (A) and (B) are equal.
- Tighten the lock nut.



Lock Nut:
 30 Nm (3.0 m•kg, 22 ft•lb)

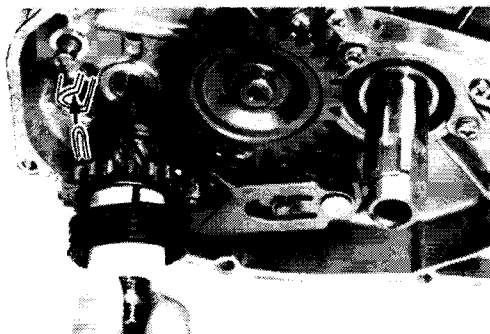
- Bend the lock washer tab.

- ① Change lever
- ② Segment



KICK AXLE

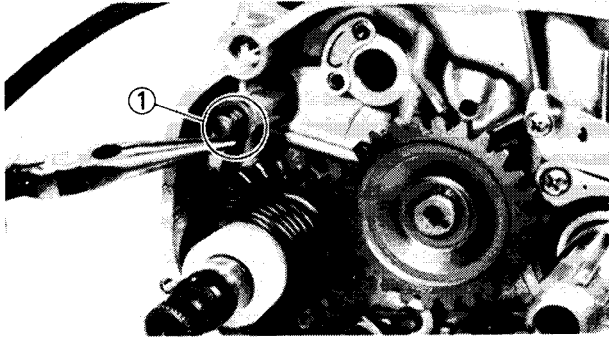
1. Install:
 - Plain washer ①
 - Kick idle gear ②
 - Washer ③
 - Circlip ④



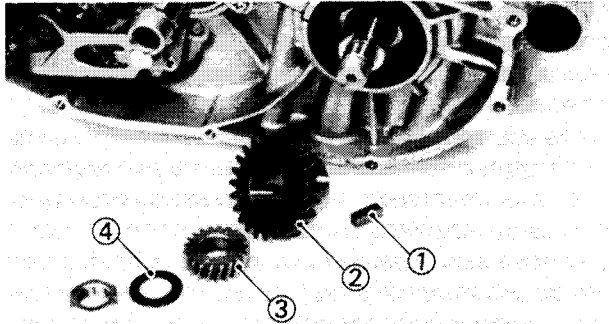
2. Install:
 - Kick axle assembly ①
 - Rotate the shaft clockwise.

NOTE:

- Make sure that the kick stopper is stopped at the projection of the crankcase.
- Make sure that the spring is engaged with the crankcase hole.

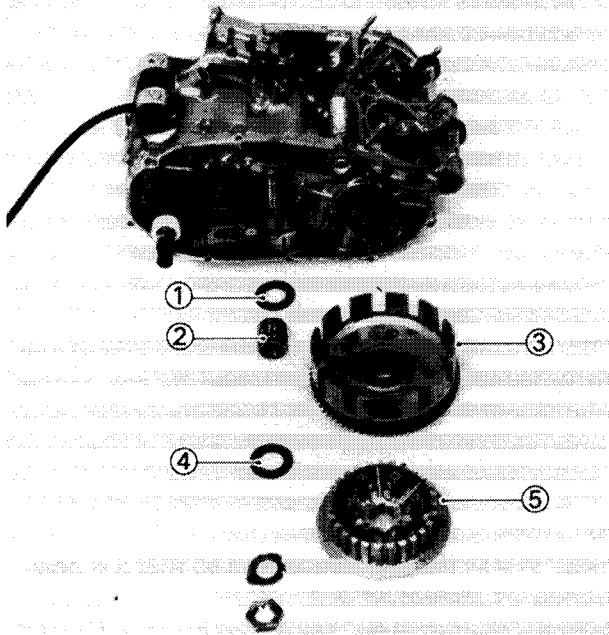


3. Set the kick spring ① to the spring hook.
4. Check:
 - Kick axle operation
 - Unsmooth operation → Repair.



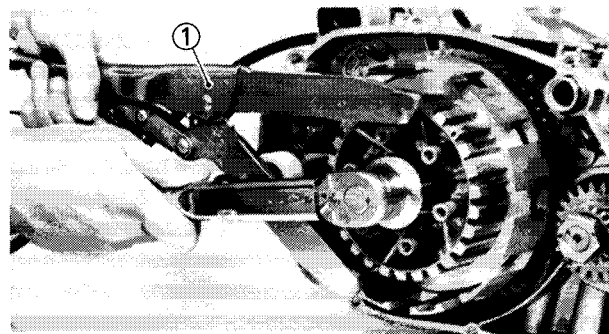
CLUTCH AND PRIMARY DRIVE GEAR

1. Install:
 - Key ①
 - Primary drive gear ②
 - Water pump drive gear ③
 - Conical washer ④
 - Nut (Primary drive gear)



2. Install:
 - Thrust plate ①
 - Spacer ②
 - Clutch housing ③
 - Thrust plate ④
 - Clutch boss ⑤

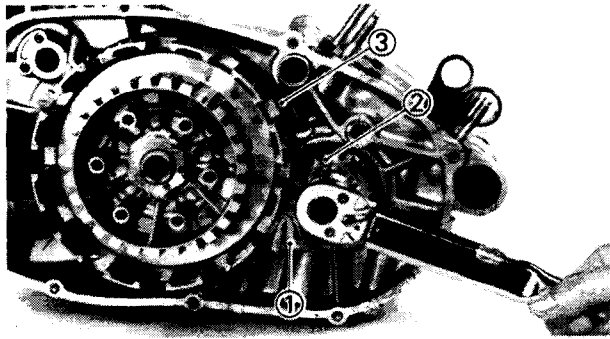
3. Install:
 - Lock washer
 - Nut (Clutch boss)



4. Tighten:
 - Nut (Clutch boss)
 - Use the Universal Clutch Holder ① (YM-91042).



Nut (Clutch Boss):
90 Nm (9.0 m•kg, 65 ft•lb)

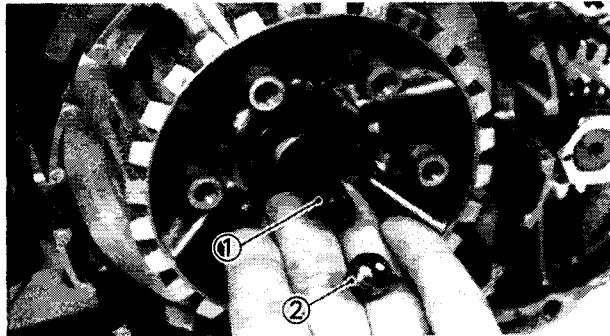


5. Tighten:
- Nut (Primary drive gear)

Place the folded rag ① between the teeth of the drive gear ② and driven gear ③ to lock them.

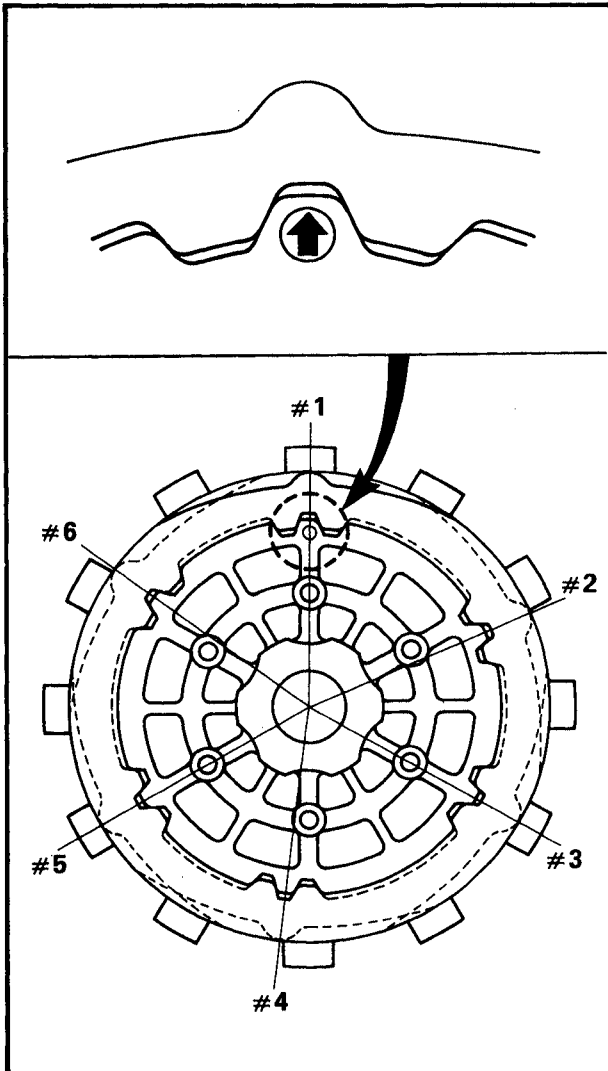


Nut (Primary Drive Gear):
65 Nm (6.5 m·kg, 47 ft·lb)



6. Bend the lock washer tab along the nut flats.

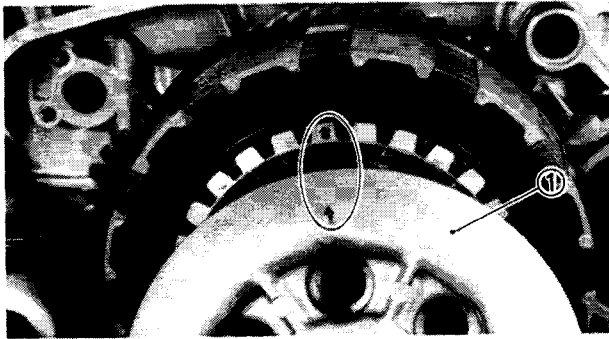
7. Install:
- Push rod #2 ①
 - Ball ②
- Apply lithium soap base grease.



8. Install:
- Cushion rings
 - Friction plates
 - Clutch plates
- Apply 10W30 motor oil.

NOTE:

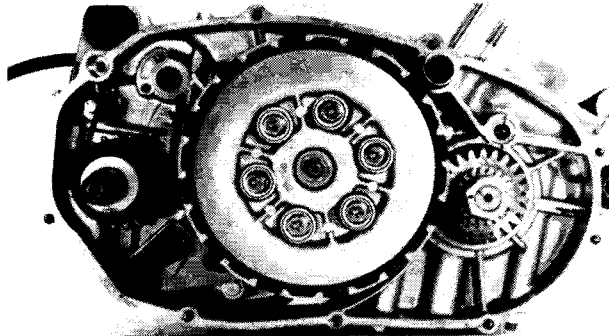
- In order to reduce noise caused by the clutch plates and clutch boss, each clutch plate is cut away at part of the edge (#1). This permits the clutch plate to move outward due to centrifugal force.
- Align one of the plate cutaways so that it is positioned as shown at #2.
- Install a friction plate. Next install a clutch plate with cutaway offset approximately 60° from previous plate cutaway.
- Continue this procedure in a clockwise direction until all clutch plates are installed.



9. Install:
- Push rod # 1

10. Install:
- Clutch pressure plate ①

NOTE: _____
Align the punched mark on the clutch boss with the arrow mark on the clutch pressure plate.

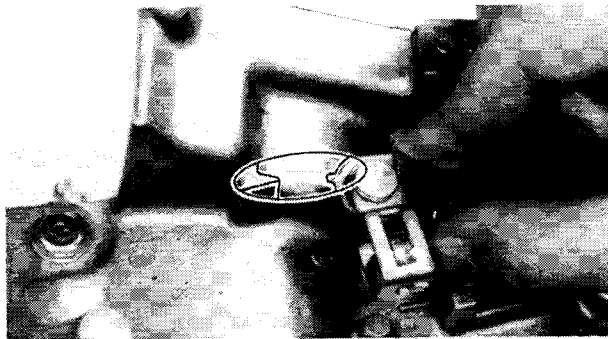


11. Install:
- Clutch springs
 - Clutch spring holding screws



Clutch Spring Holding Screws:
10 Nm (1.0 m•kg, 7.2 ft•lb)

12. Adjust:
- Clutch mechanism free play
- Refer to "CHAPTER 2. CLUTCH ADJUSTMENT" section.

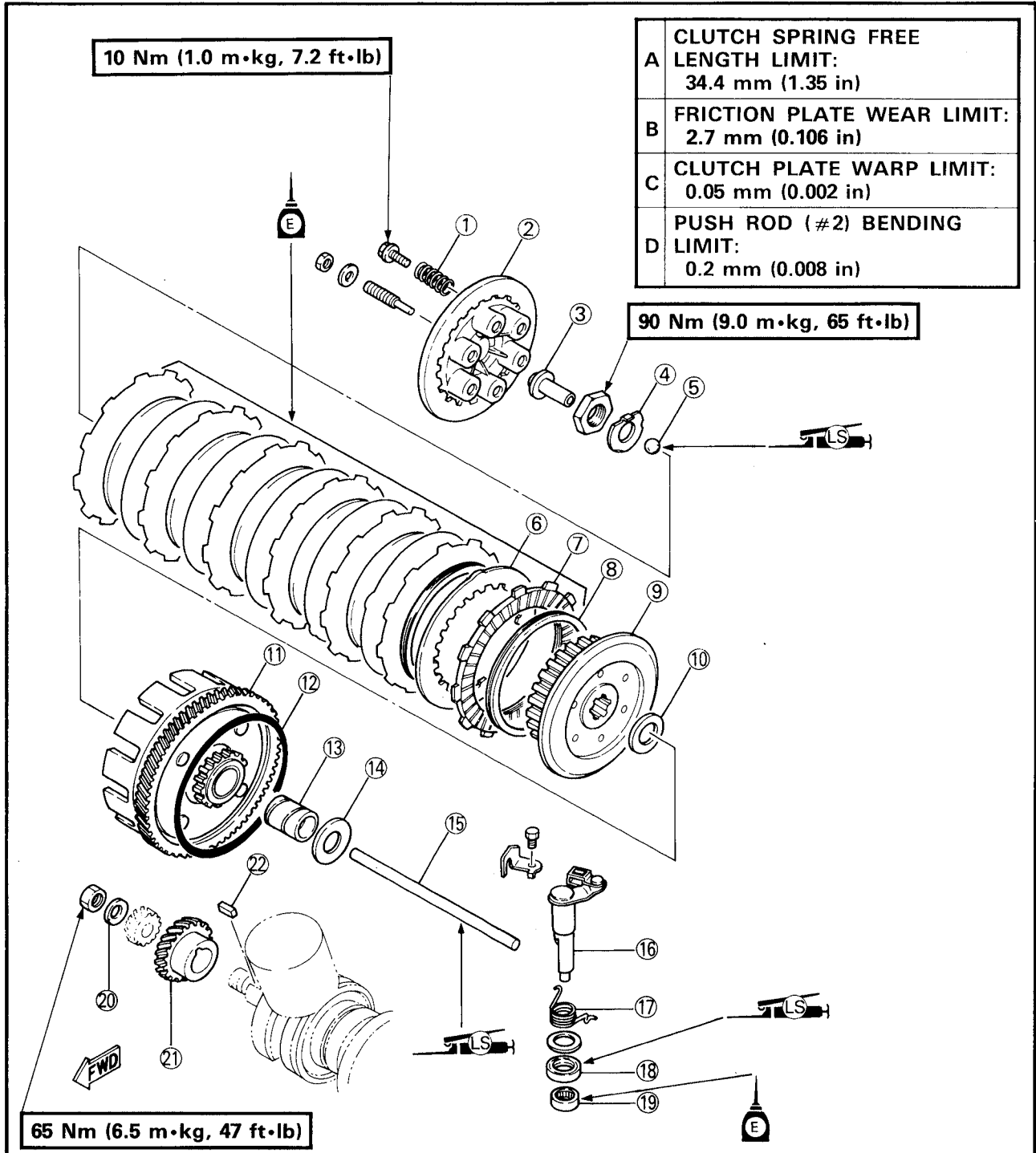


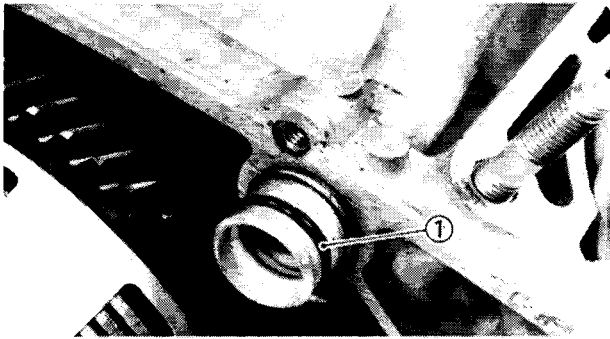
13. Inspect:
- Clutch align marks



CLUTCH/PUSH LEVER/PRIMARY DRIVE GEAR

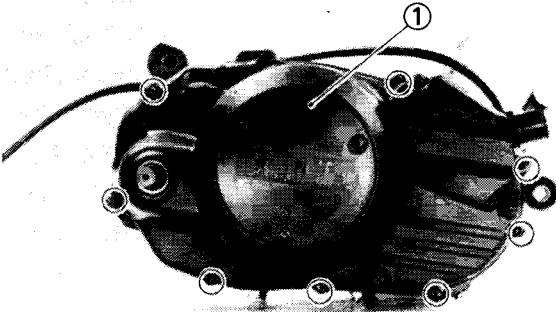
- | | | |
|-------------------------|--------------------------|--------------------------|
| ① Clutch spring | ⑨ Clutch boss | ⑰ Push lever axle spring |
| ② Clutch pressure plate | ⑩ Thrust plate | ⑱ Oil seal |
| ③ Push rod (# 1) | ⑪ Clutch housing | ⑲ Bearing |
| ④ Lock washer | ⑫ O-ring | ⑳ Conical spring washer |
| ⑤ Ball | ⑬ Spacer | ㉑ Primary drive gear |
| ⑥ Clutch plate | ⑭ Thrust plate | ㉒ Key |
| ⑦ Friction plate | ⑮ Push rod (# 2) | |
| ⑧ Cushion ring | ⑯ Clutch push lever axle | |





CRANKCASE COVER (RIGHT)

1. Apply:
 - Light weight lithium soap base grease.
 - To radiator hose joint O-ring ①.



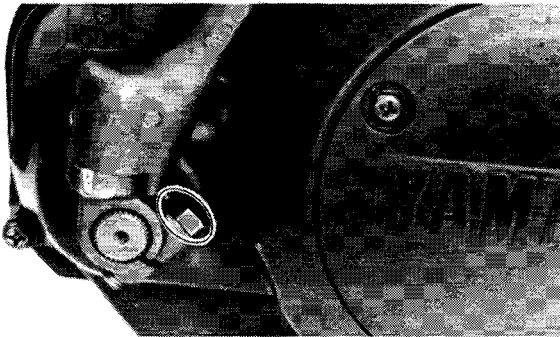
2. Install:
 - Dowel pin
 - Crankcase cover (Right) ①

NOTE:

Tighten the crankcase cover holding screws in stage, using a crisscross pattern.



Screws (Crank Case Cover):
7 Nm (0.7 m·kg, 5.1 ft·lb)



KICK CRANK

1. Install:
 - Kick crank



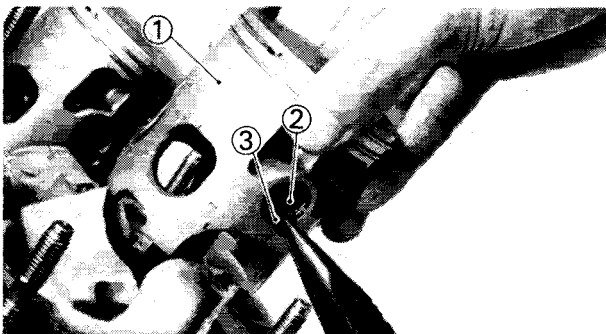
Bolt (Kick Crank):
25 Nm (2.5 m·kg, 18 ft·lb)

NOTE:

Install the kick crank so that it does not contact the case.

PISTON PIN AND PISTON

1. Apply:
 - 2-stroke oil
 - To the piston pin, bearing, piston ring grooves and piston skirt areas.



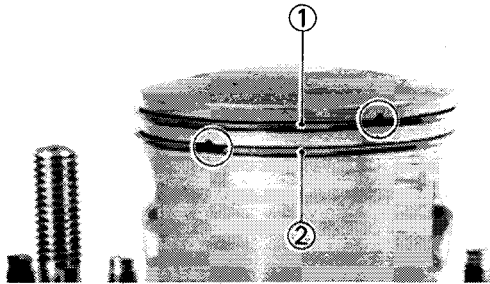
2. Install:
 - Small end bearing
 - Piston ①
 - Piston pin ②
 - Piston pin clip ③

**NOTE:**

- The arrow on the piston must point to the front of the engine.
- Before installing the piston pin clip, cover the crankcase with a clean towel or rag so you will not accidentally drop the pin clip and material into the crankcase.
- Always use a new piston pin clip.

CYLINDER

1. Install:
 - Dowel pins
 - Cylinder gasket (New gasket)
2. Offset the piston ring end gaps as shown.



- ① 1st ring
- ② 2nd ring

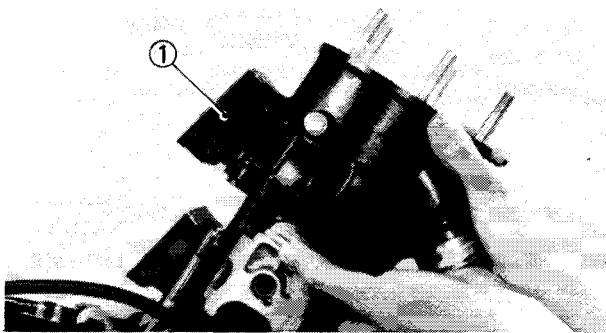
NOTE:

- Be sure to check the manufacturer's marks or numbers stamped on the rings are on the top side of the rings.
- Before installing the cylinder, apply a liberal coating of 2-stroke to the piston rings.

3. Install:
 - Cylinders ①

NOTE:

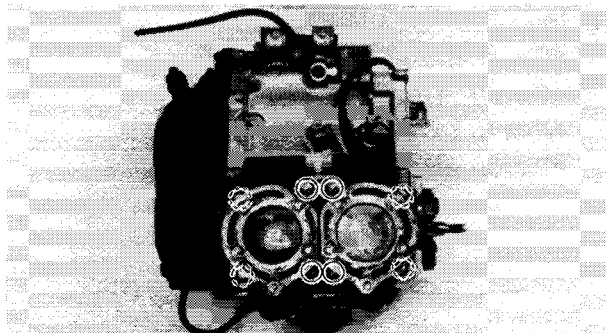
Install the cylinder with one hand while compressing the piston rings with the other hand.

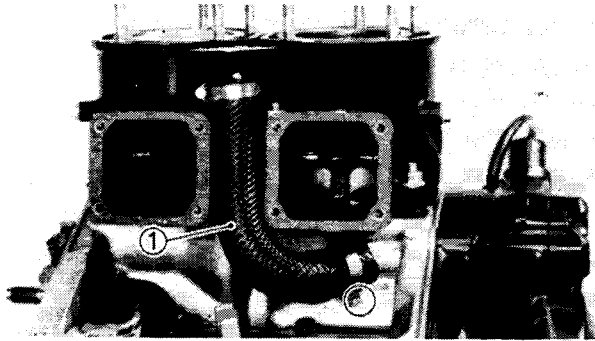


4. Tighten:
 - Nuts (Cylinder)



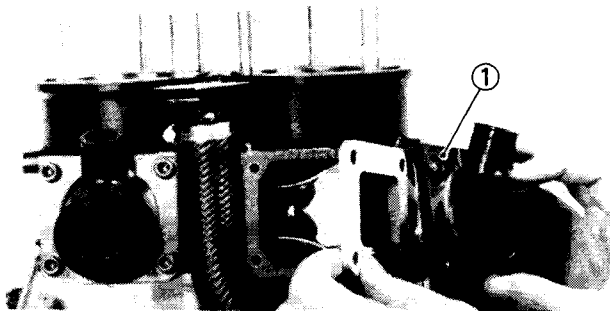
Nuts (Cylinder):
28 Nm (2.8 m•kg, 20 ft•lb)





RADIATOR HOSE

1. Install:
 - Radiator hose ①

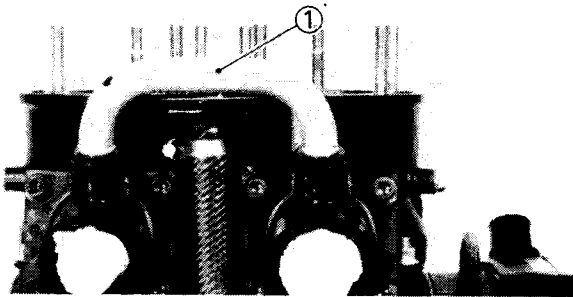


REED VALVE ASSEMBLY

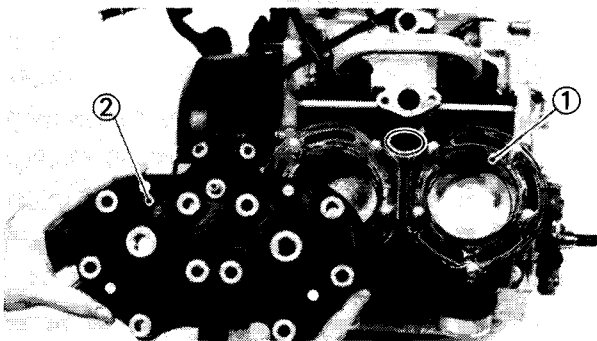
1. Install:
 - Reed valve assembly
 - Carburetor joint ①
2. Tighten:
 - Bolts (Carburetor joint)



Bolts (Carburetor Joint):
10 Nm (1.0 m•kg, 7.2 ft•lb)



3. Install:
 - Pipe ①



CYLINDER HEAD

1. Install:
 - Cylinder head gasket ① (New gasket)
 - Cylinder head ②

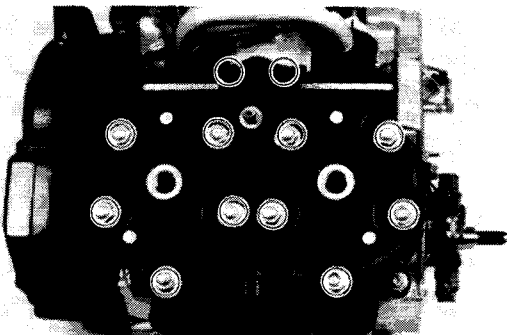
NOTE:

The "UP" mark on the gasket must point to the upward of the engine.

2. Tighten:
 - Nuts (Cylinder head)
 - Bolts (Joint)

NOTE:

The bolts should be tightened in the order of numbers and in two steps.

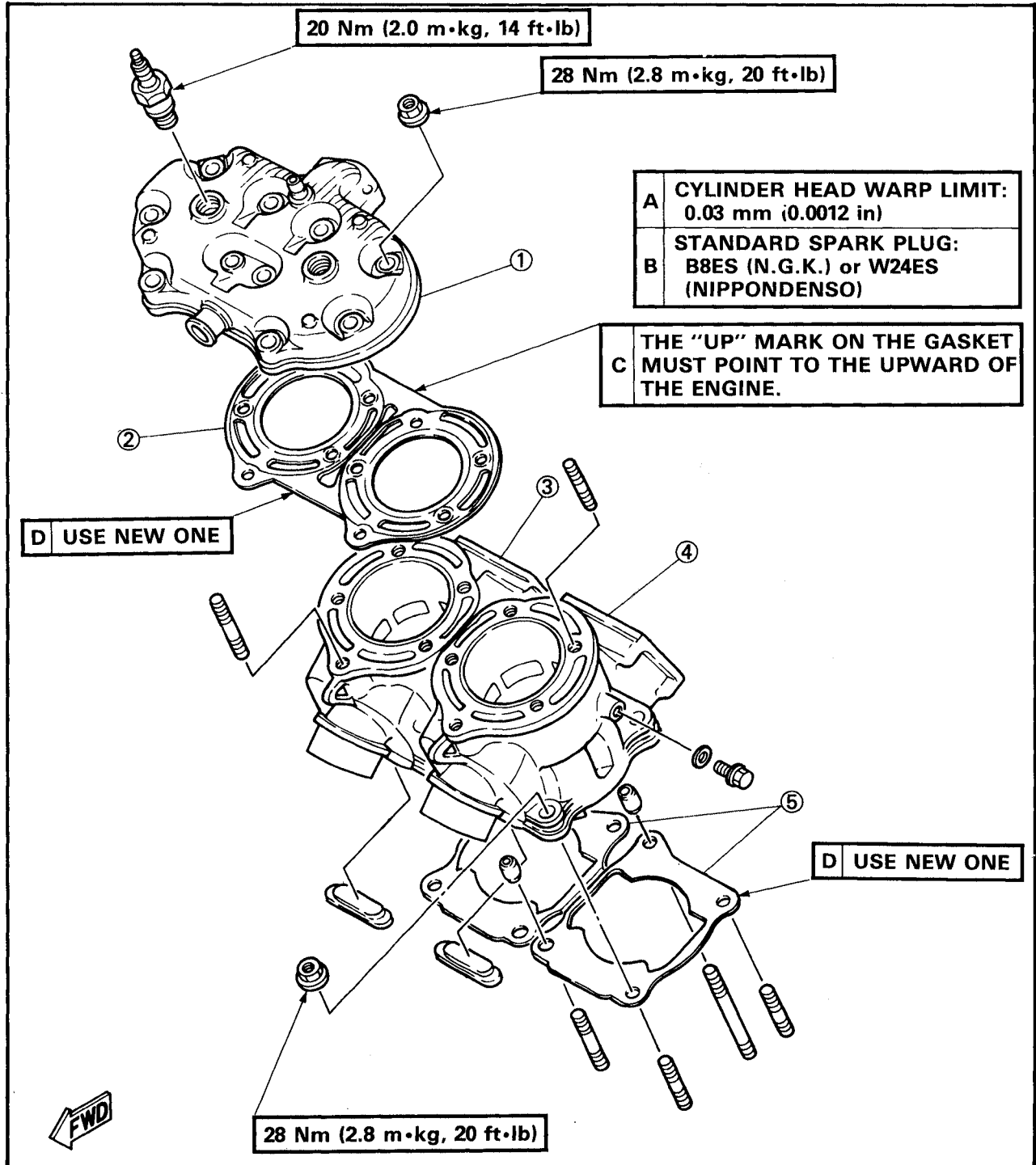


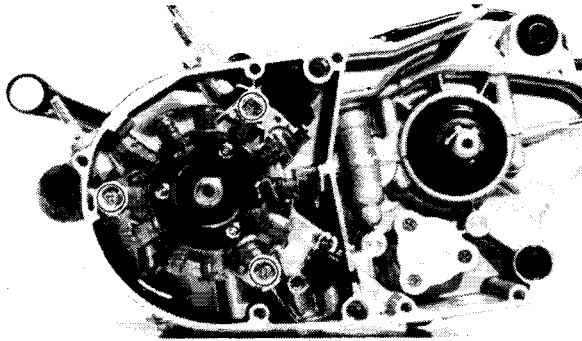
Nuts (Cylinder Head):
28 Nm (2.8 m•kg, 20 ft•lb)
Bolts (Joint):
12 Nm (1.2 m•kg, 8 ft•lb)



CYLINDER/CYLINDER HEAD

- ① Cylinder head
- ② Cylinder head gasket
- ③ Cylinder (Right)
- ④ Cylinder (Left)
- ⑤ Cylinder gaskets





CDI MAGNETO

1. Install:
 - Woodruff key
 - Stator assembly
2. Tighten:
 - Screws (Stator assembly)

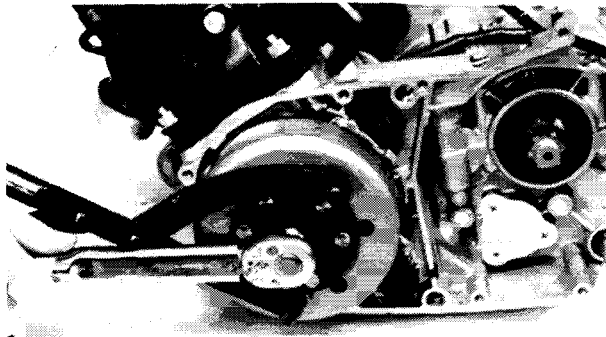


Screws (Stator Assembly):
10 Nm (1.0 m•kg, 7.2 ft•lb)

3. Install:
 - CDI magneto
 - Plain washer
 - Nut (CDI magneto)

NOTE:

When installing the CDI magneto, make sure the woodruff key is properly seated in the key way of the crankshaft.



4. Tighten:
 - Nut (CDI magneto)

Use the Rotor Holding Tool (YU-01235) to lock the magneto.



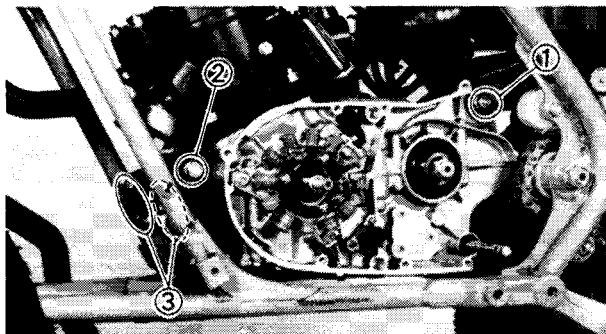
Nut (CDI Magneto):
80 Nm (8.0 m•kg, 58 ft•lb)

REMounting ENGINE

When remounting the engine, reverse the removal procedure.

Note the following points.

1. Tighten:
 - Engine mounting bolts



Engine mounting bolts tightening steps:

- Tighten the engine mounting bolt (Rear) ①.

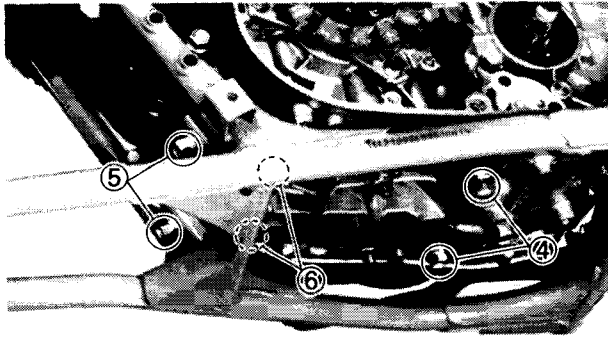


Bolt (Engine Mounting-Rear) ①:
45 Nm (4.5 m•kg, 32 ft•lb)

- Tighten the engine mounting bolt (Front) ②.



Bolt (Engine Mounting-Front) ②:
45 Nm (4.5 m•kg, 32 ft•lb)



• Tighten the front stay securing bolts ③.



Bolts (Engine Stay) ③:
30 Nm (3.0 m•kg, 22 ft•lb)

• Tighten the tension rod securing bolts ④ to the engine.



Bolts (Tension Rod) ④:
25 Nm (2.5 m•kg, 18 ft•lb)

• Tighten the tension rod stay securing bolts ⑤ to the frame.

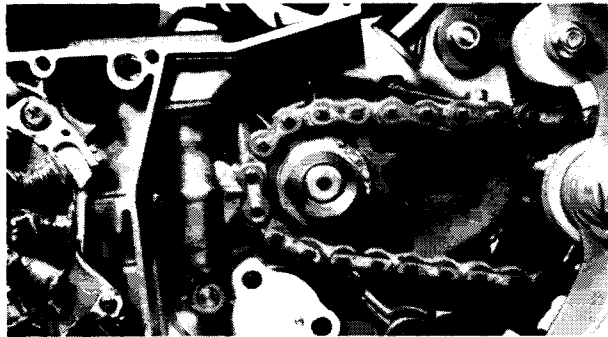


Bolts (Tension Rod Stay) ⑤:
45 Nm (4.5 m•kg, 32 ft•lb)

• Tighten the tension rod securing bolts ⑥ to the tension rod stay.



Bolts (Tension Rod-Tension Rod Stay) ⑥:
45 Nm (4.5 m•kg, 32 ft•lb)



2. Install:

- Drive chain
- Drive sprocket
- Lock washer (New)
- Nut

3. Tighten:

- Nut (Drive sprocket)



Nut (Drive Sprocket):
80 Nm (8.0 m•kg, 58 ft•lb)

4. Bend the lock washer tab along the nut flats.

5. Install:

- Crankcase cover (Left)



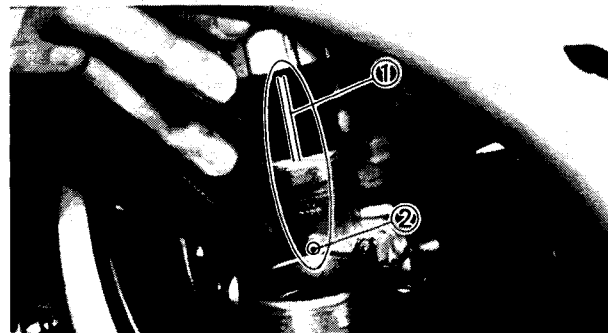
Screws (Crankcase Cover-Left):
7 Nm (0.7 m•kg, 5.1 ft•lb)

6. Install:

- Carburetor

NOTE:

When installing the throttle valve into the carburetor, align the groove ① of the throttle valve with the projection ② of the carburetor.

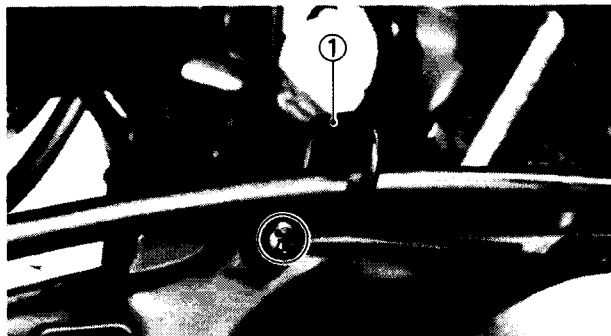




7. Adjust:

- Clutch cable free play.

Refer to "CHAPTER 2 — CLUTCH ADJUSTMENT" section.



8. Tighten:

- Bolts (Rear brake master cylinder)
- Cable guide ①



Bolts (Rear Brake Master Cylinder):

20 Nm (2.0 m•kg, 14 ft•lb)

9. Adjust:

- Drive chain slack

Refer to "CHAPTER 2 — DRIVE CHAIN" section (2-21).

10. Apply:

- High-melting-point grease

To the O-rings (Exhaust pipe).

11. Install:

- Exhaust pipes

Use general spring remover.



Exhaust Pipe Stay:

25 Nm (2.5 m•kg, 18 ft•lb)

Silencer:

35 Nm (3.5 m•kg, 25 ft•lb)

12. Apply:

- Transmission oil

Refer to "CHAPTER 2 — TRANSMISSION OIL LEVEL MEASUREMENT" section.

- Coolant

Refer to "CHAPTER 2 — COOLANT LEVEL INSPECTION" section.

13. Inspect:

- Oil leakage
- Coolant leakage

**CHAPTER 4.
COOLING SYSTEM**

RADIATOR4-1
 REMOVAL4-2
 INSPECTION4-3
 INSTALLATION4-4

WATER PUMP4-5
 REMOVAL4-5
 INSPECTION4-7
 INSTALLATION4-8

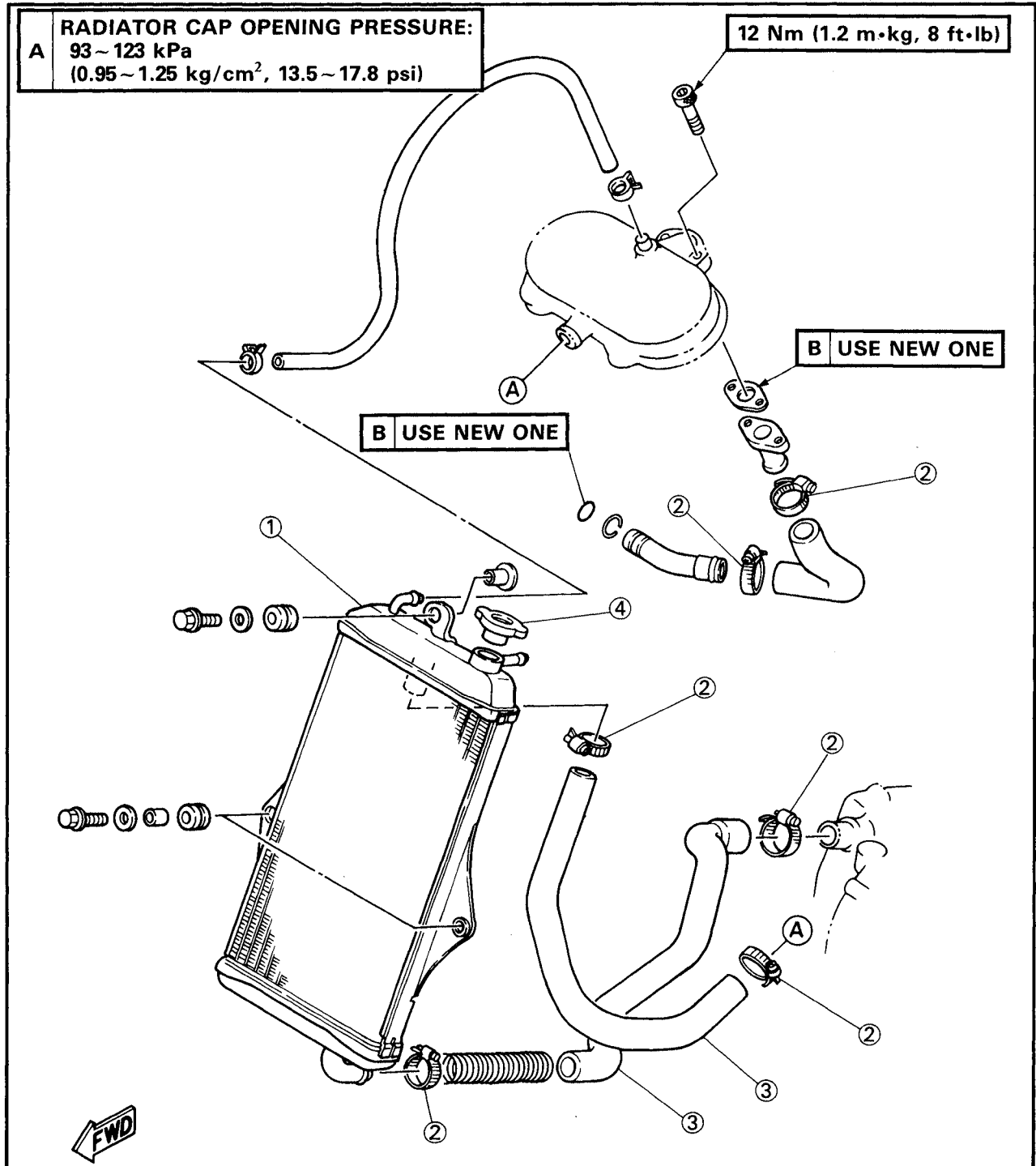
COOL



RADIATOR

RADIATOR

- ① Radiator
- ② Hose clamp
- ③ Radiator hose
- ④ Radiator cap



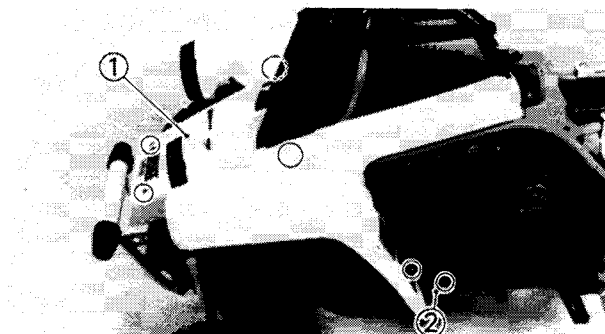
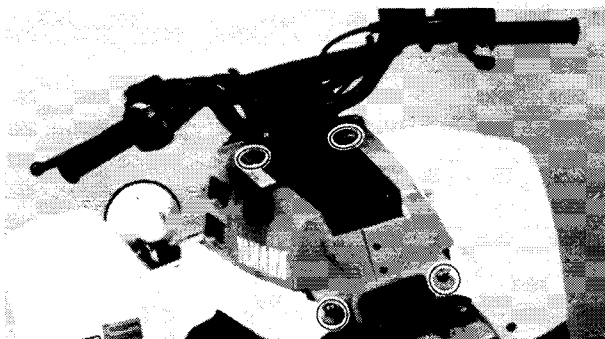
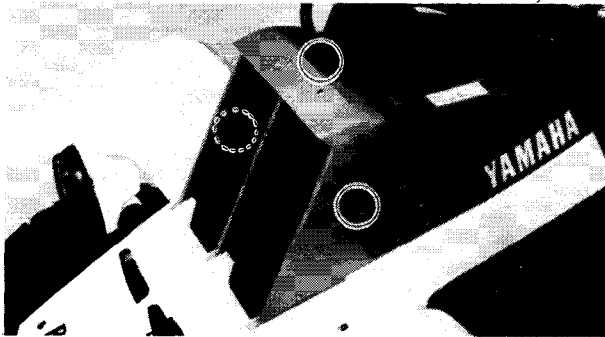
**REMOVAL**

1. Drain:
 - CoolantRefer to "CHAPTER 2 — COOLANT REPLACEMENT" section.

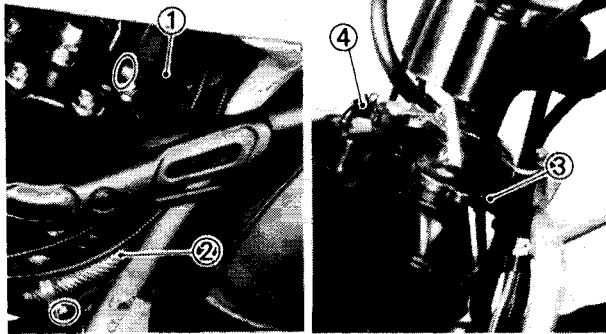
WARNING:

Do not remove the radiator cap when the engine and radiator are hot. Scalding hot fluid and steam may be blown out under pressure, which could cause serious injury. When the engine has cooled, open the radiator cap by the following procedure:

Remove the radiator cover by removing the screw. Place a thick rag, like a towel, over the radiator cap, slowly rotate the cap counterclockwise to the detent. This procedure allows any residual pressure to escape. When the hissing sound has stopped, press down on the cap while turning counterclockwise and remove it.



2. Remove:
 - Seat
 - Radiator cover
3. Remove:
 - Fuel tank cover
4. Remove:
 - Front fender ①
 - Front fender stay ②
 - Fuel tank

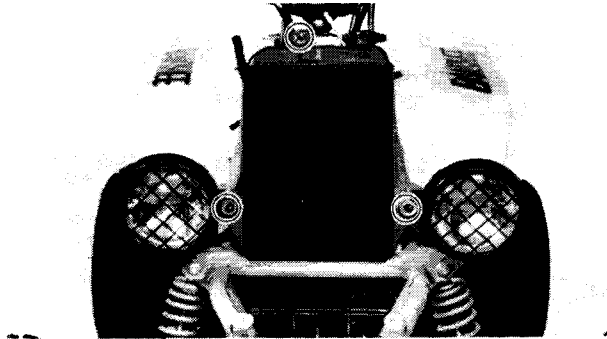


3. Disconnect:

- Radiator hoses ①, ②
- Breather hoses ③, ④

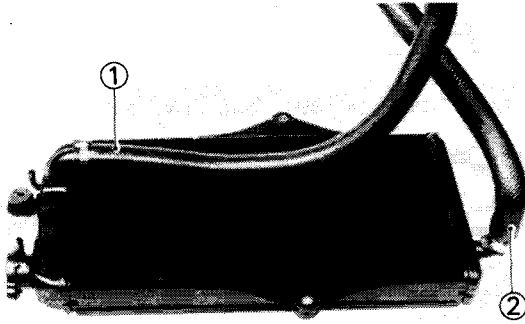
4. Remove:

- Radiator



5. Remove:

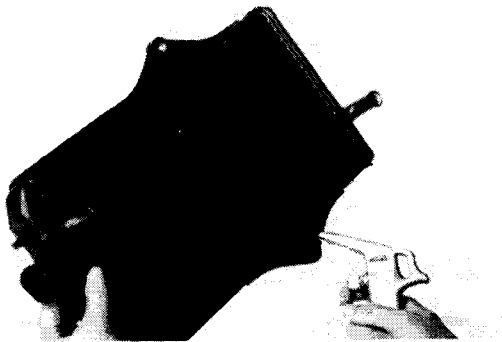
- Radiator hoses ①, ②



INSPECTION

1. Inspect:

- Radiator core
 - Obstruction → Blow out with compressed air through rear of the radiator.
 - Flattened fin → Repair/replace.

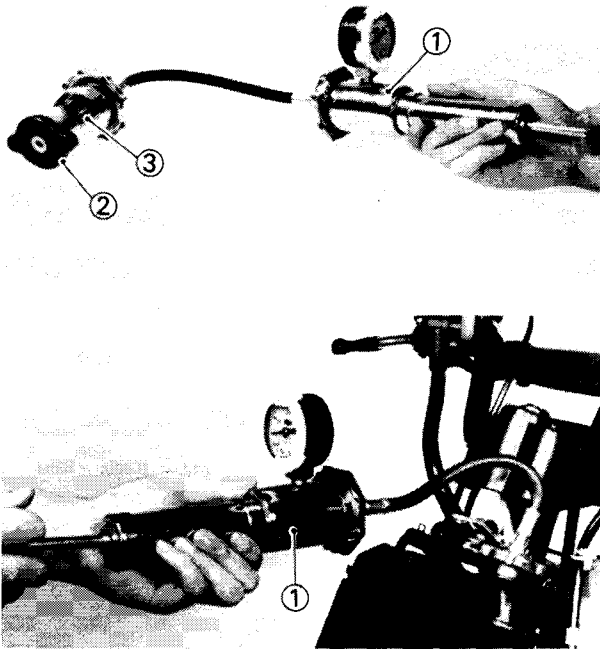


2. Inspect:

- Inlet hose
 - Crack/Damage → Replace.
- Outlet hose
 - Crack/Damage → Replace.
- Joint hose
 - Crack/Damage → Replace.

3. Measure:

- Valve opening pressure
 - Valve opens at pressure below the specified valve or defective → Replace.



Valve Opening Pressure:

93 ~ 123 kPa

(0.95 ~ 1.25 kg/cm², 13.5 ~ 17.8 psi)

Measurement steps:

- Attach the Cooling System Tester ① (YU-24460-01) to the radiator cap ②.

NOTE:

Use Adapter ③ (YU-33984).

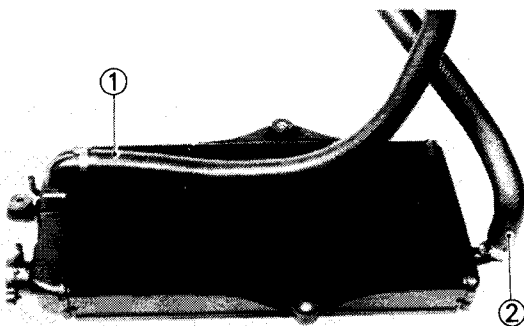
- Apply the specified pressure for 10 seconds, and make sure there is no pressure drop.

4. Inspect:

- Cooling system
Decrease of pressure (leaks) → Repair as required.

Inspection steps:

- Attach the Cooling System Tester ① (YU-24460-01) to the radiator.
- Apply 98.1 kPa (1.0 kg/cm², 14 lb/in²) pressure.
- Measure the indicated pressure with gauge.



INSTALLATION

1. Connect:

- Radiator hoses ①, ②

NOTE:

- Connect the hose ① with its white painted mark backward.
- Connect the hose ② with its white painted mark upward.

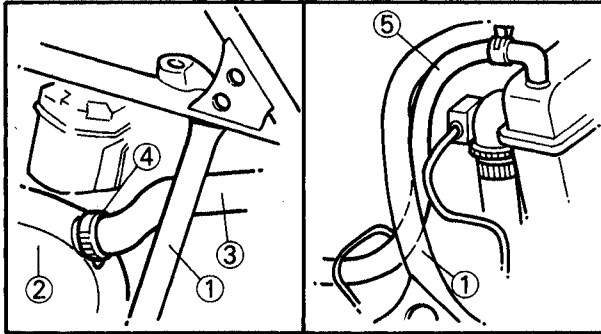
2. Install:

- Radiator

COOL



WATER PUMP



3. Connect:

- Radiator hoses
- Breather hoses

NOTE:

- Connect the radiator hose (3) with its white painted mark up ward.
- Pass the hoses as shown.

- ① Frame
- ② Crankcase cover (Right)
- ③ Radiator hose
- ④ Mark
- ⑤ Breather hose

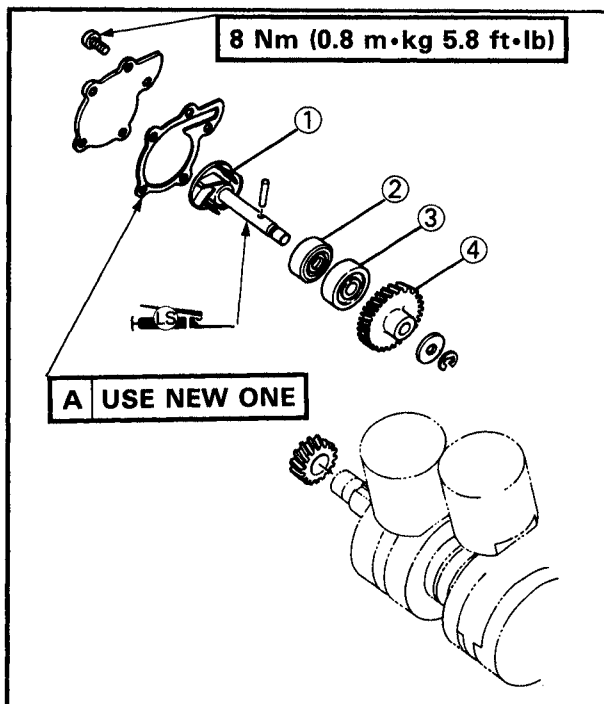
4. Fill:

- Coolant

Refer to "CHAPTER 2 — COOLANT REPLACEMENT" section.

5. Install:

- Front fender
- Fuel tank cover
- Radiator cover
- Seat

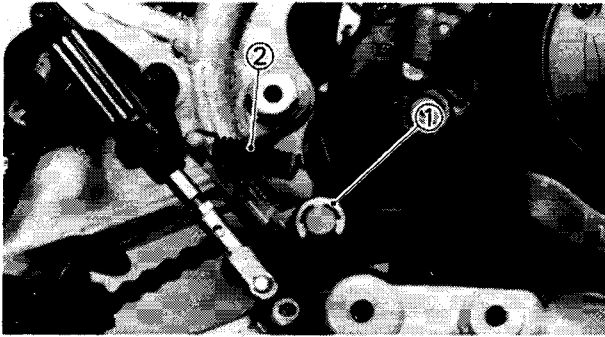


WATER PUMP REMOVAL

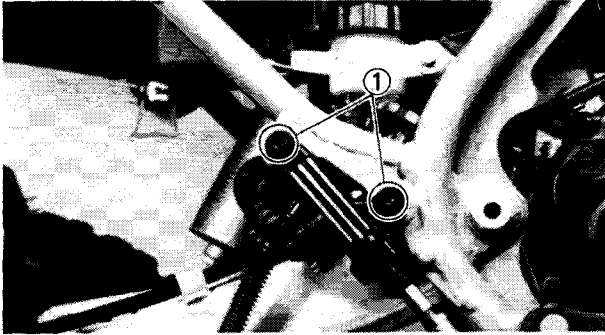
NOTE:

It is necessary to disassemble the water pump, unless there is no abnormality such as excessive change in coolant temperature and/or level, discoloration of coolant, or milky transmission oil.

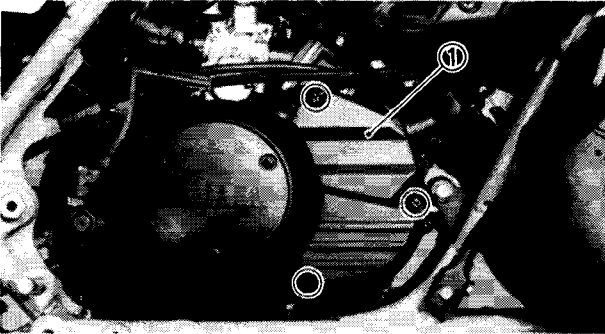
- ① Impeller shaft
- ② Oil seal
- ③ Bearing
- ④ Impeller shaft gear



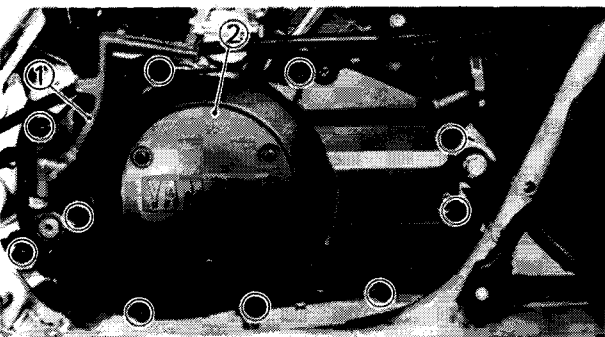
1. Drain:
 - Coolant (Completely)
 - Transmission oil
2. Remove:
 - Footrest (Right)
 - Circlip ①
 - Spring ②



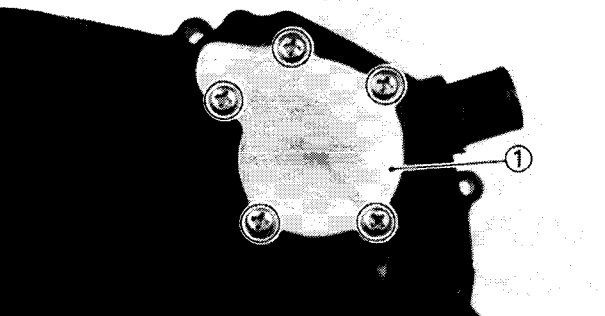
3. Remove:
 - Rear brake master cylinder



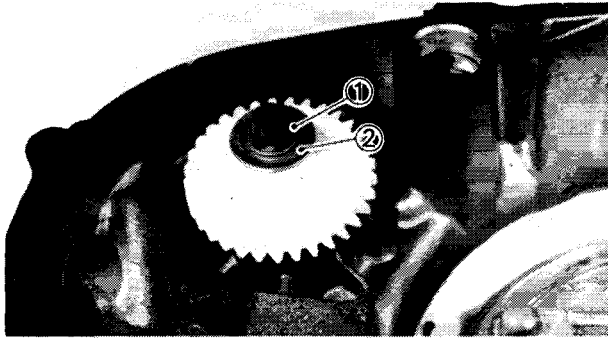
4. Remove:
 - Cover ①



5. Remove:
 - Crankcase cover (Right) ②
 - Dowel pin

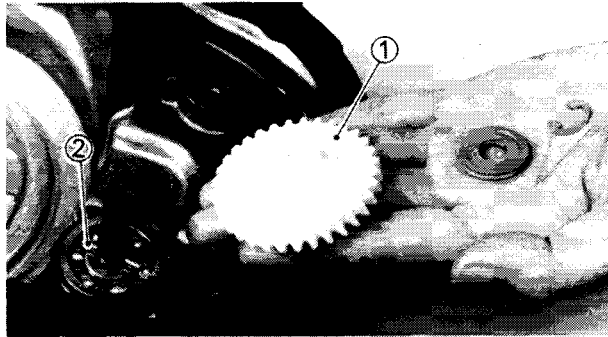


6. Remove:
 - Water pump cover ①



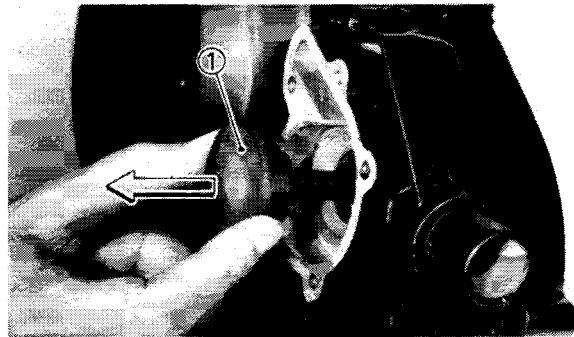
7. Remove:

- Circlip ①
- Plain washer ②



8. Remove:

- Impeller shaft gear ①
- Knock pin ②



9. Pull out the impeller shaft assembly ①.

10. Eliminate deposits from the impeller and water pump housing.

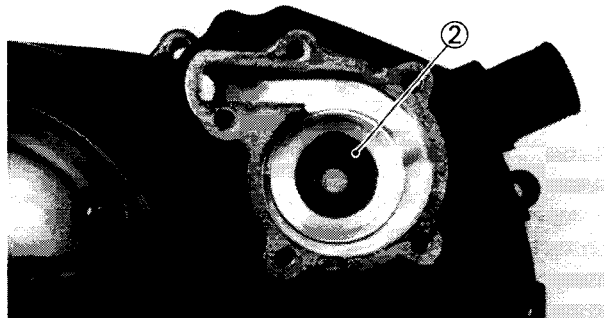
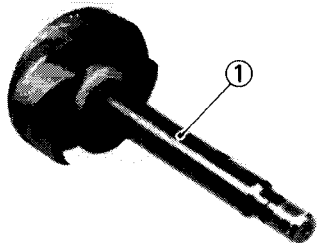
INSPECTION

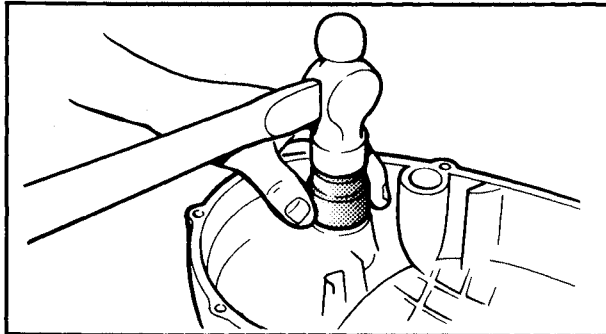
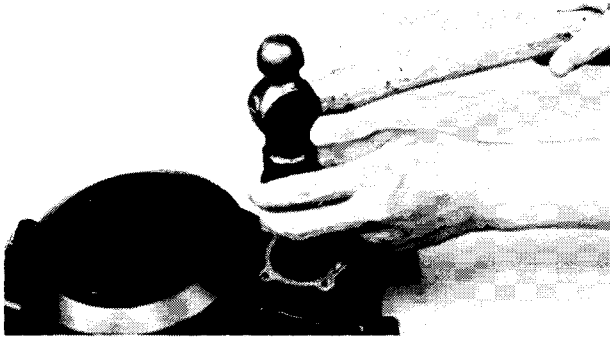
1. Inspect:

- Impeller ①
Cracks/Wear/Damage → Replace.
- Oil seal ②
Wear/Damage → Replace.
- Bearing
Wear/Damage → Replace.

NOTE:

Replace the oil seal and bearing as a set.





Oil seal and bearing replacement steps:

- Remove both bearing and oil seal from the case by tapping them toward the oil seal side.

NOTE: _____

Bearing(s) are most easily removed or installed if the cases are first heated in an oven to approximately 90~120°C (194~248°F). Bring the case up to proper temperature slowly. Do not use a hot plate or torch.

- Install bearing(s) with their manufacturer's marks or numbers facing outward.

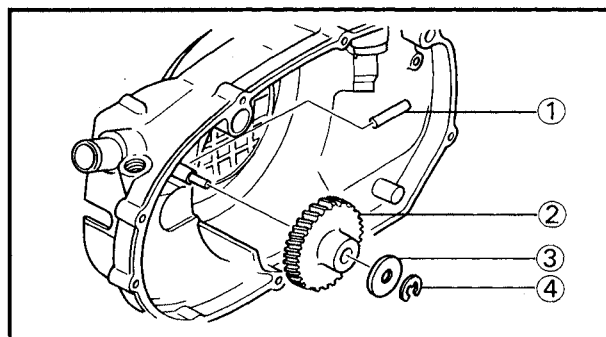
NOTE: _____

Install the oil seal, with the "WATER SIDE" mark is on the inside.

- When installing bearing(s) or oil seal(s), apply a light coating of lightweight lithium base grease to balls and seal lip(s).

NOTE: _____

Press-fit the oil seal and bearing until they contact the bottom.



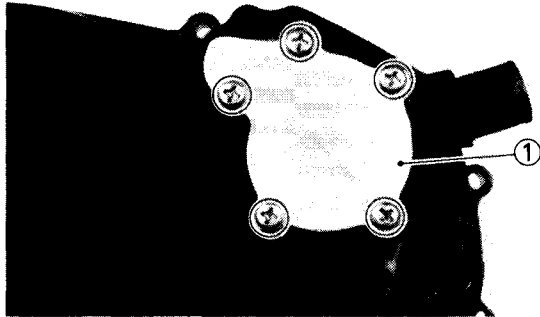
INSTALLATION

1. Apply:
 - Lightweight lithium base grease
Apply a grease to oil seal and impeller shaft.
2. Install:
 - Impeller shaft ①
Install the shaft while turning it.

NOTE: _____

Take care so that the oil seal lip is not damaged or the spring does not slip off its position.

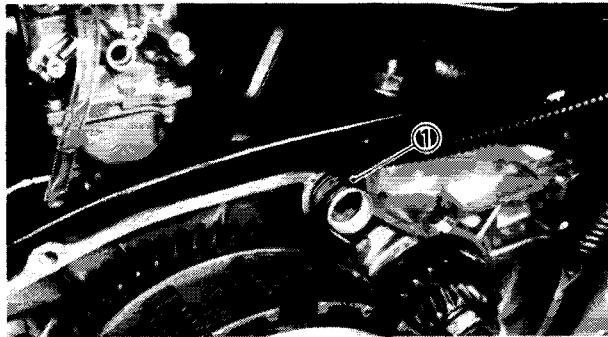
3. Install:
 - Knock pin ①
 - Impeller shaft gear ②
 - Plain washer ③
 - Circlip ④



4. Install:
- Water pump cover ①

CAUTION:

Always use a new gasket.



5. Tighten:
- Screws (Water pump cover)

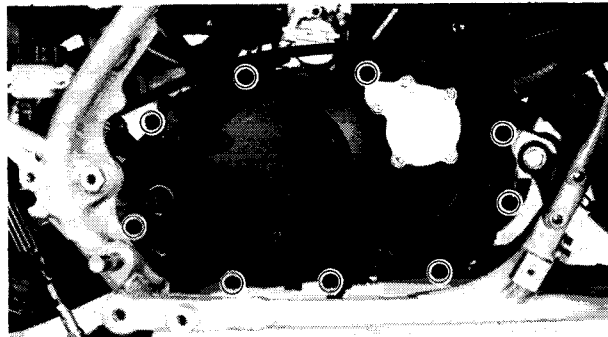


Screws (Water Pump Cover):
8 Nm (0.8 m•kg, 5.8 ft•lb)

6. Install:
- Dowel pin
 - Crankcase cover (Right)

NOTE:

When installing the crankcase cover, grease the radiator joint O-ring ①.



7. Tighten:
- Screws (Crankcase cover)



Screws (Crankcase cover):
7 Nm (0.7 m•kg, 5.1 ft•lb)

- ① Cable guide

8. Install:
- Kick crank

NOTE:

Install the kick crank so that it does not contact the case cover.

9. Tighten:
- Bolt (Kick crank)

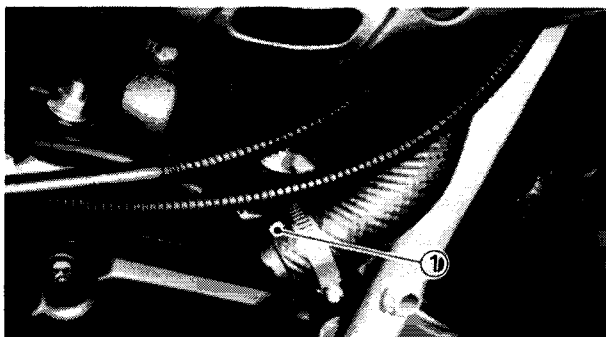


Bolt (Kick Crank):
25 Nm (2.5 m•kg, 18 ft•lb)

10. Connect:
- Radiator hoses

NOTE:

Connect the hose with its white painted mark ① upward.



11. Fill:
- Coolant
 - Transmission oil



CAUTION:

After warming up the engine, proceed as follows:

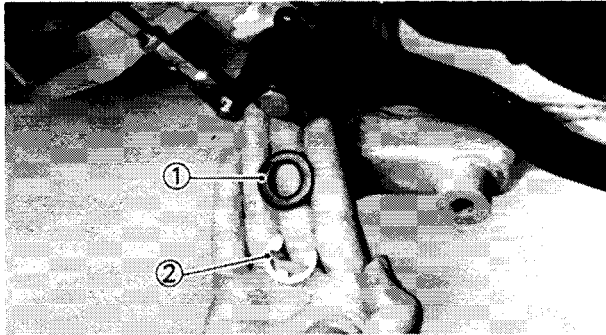
- Retighten the pump cover screws to specification.
- Check for coolant leakage, particularly leakage into the transmission case.

12. Inspect:

- Cooling system

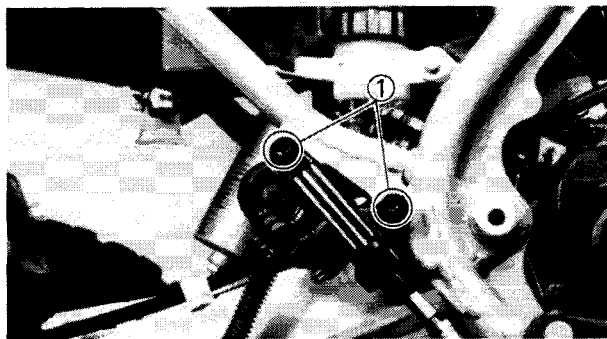
Decrease of pressure (leaks) → Repair as required.

Refer to "RADIATOR-INSPECTION" section.



13. Install:

- Rear brake pedal
- Washer ①
- Circlip ②
- Cover



14. Install:

- Bolts ① (Rear brake master cylinder)



Bolts (Rear Brake Master Cylinder):

20 Nm (2.0 m•kg, 14 ft•lb)

COOL



**CHAPTER 5.
CARBURETION**

CARBURETOR5-1
SECTIONAL VIEW5-2
REMOVAL5-3
DISASSEMBLY5-3
INSPECTION5-5
ASSEMBLY5-6
INSTALLATION5-8
ADJUSTMENT5-8
CARBURETOR SETTING CHANGE5-9

REED VALVE5-10
REMOVAL5-10
DISASSEMBLY5-10
INSPECTION5-10
ASSEMBLY5-11
INSTALLATION5-11

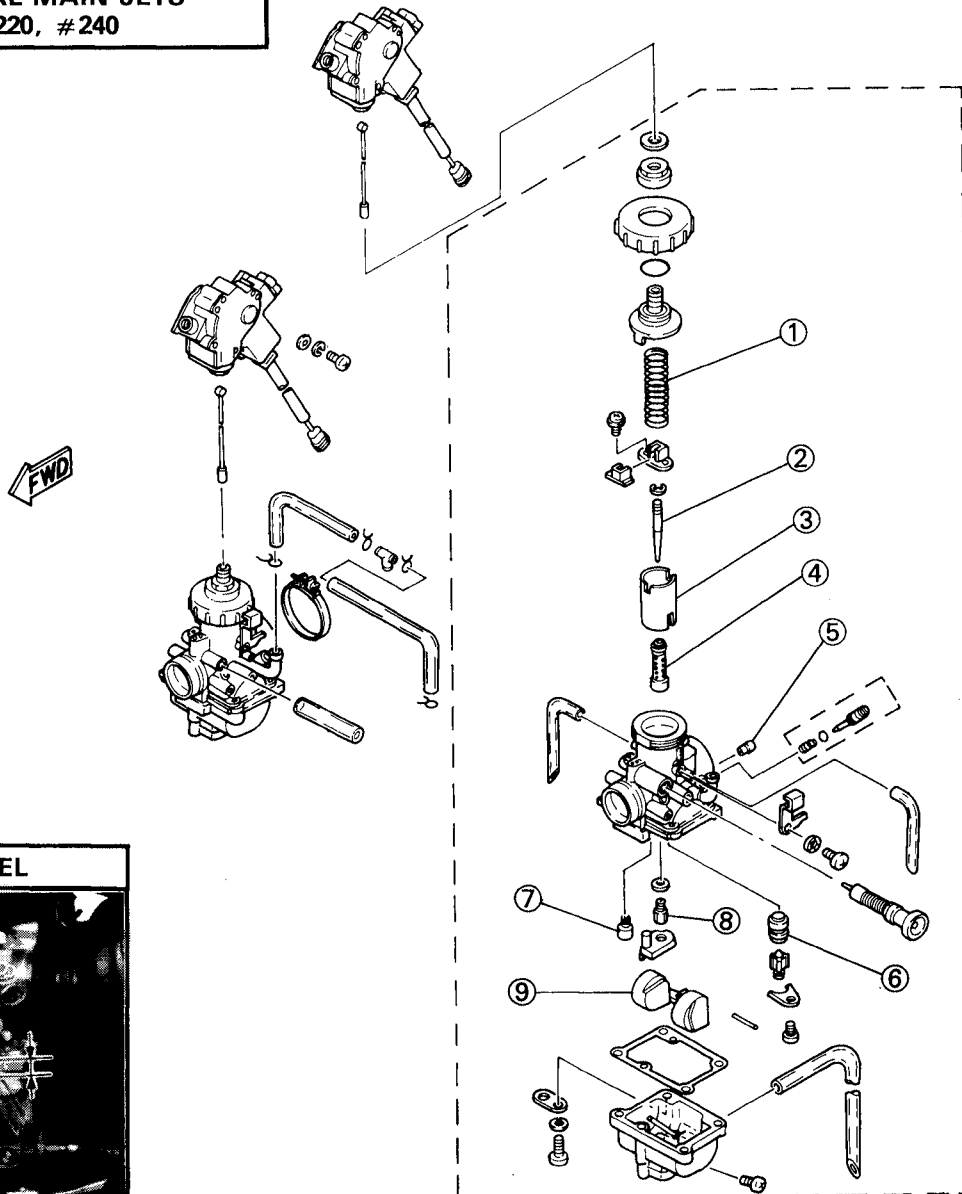


**CARBURETION
CARBURETOR**

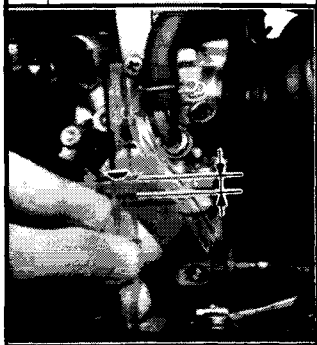
- ① Throttle valve spring
- ② Jet needle
- ③ Throttle valve
- ④ Main nozzle
- ⑤ Pilot air screw
- ⑥ Needle valve assembly
- ⑦ Pilot jet
- ⑧ Main jet
- ⑨ Float

SPECIFICATIONS	
MAIN JET (M.J.)	#210
MAIN AIR JET (M.A.J.)	φ1.6
JET NEEDLE (J.N.)	5N7-3
NEEDLE JET (N.J.)	O-8
PILOT JET (P.J.)	#25
PILOT AIR SCREW (P.A.S.)	2 turns out
FLOAT HEIGHT (F.H.)	21.0±1.0 mm (0.83±0.04 in)
FUEL LEVEL (F.L.)	0.5~1.5 mm (0.02~0.06 in)
ENGINE IDLING SPEED	1,500±50 r/min

B OPTIONAL MAIN JETS
#200, #220, #240



A FUEL LEVEL



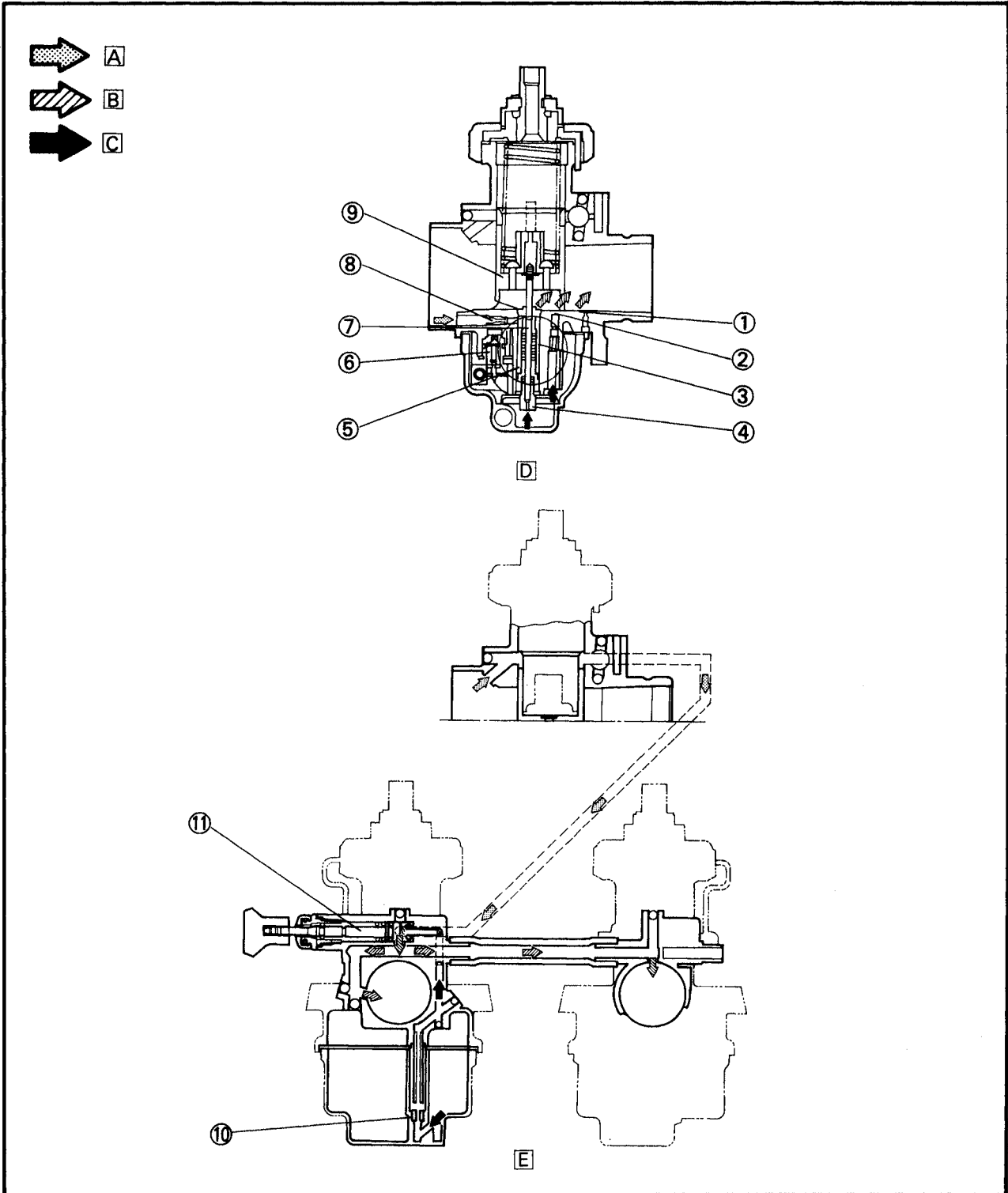


SECTIONAL VIEW

- ① Pilot outlet
- ② Bypass hole
- ③ Pilot jet
- ④ Main jet
- ⑤ Needle jet
- ⑥ Float valve set
- ⑦ Jet needle

- ⑧ Main air jet
- ⑨ Throttle valve
- ⑩ Starter jet
- ⑪ Starter plunger

- A AIR
- B MIXTURE
- C FUEL
- D MAIN METERING SYSTEM
- E STARTER SYSTEM



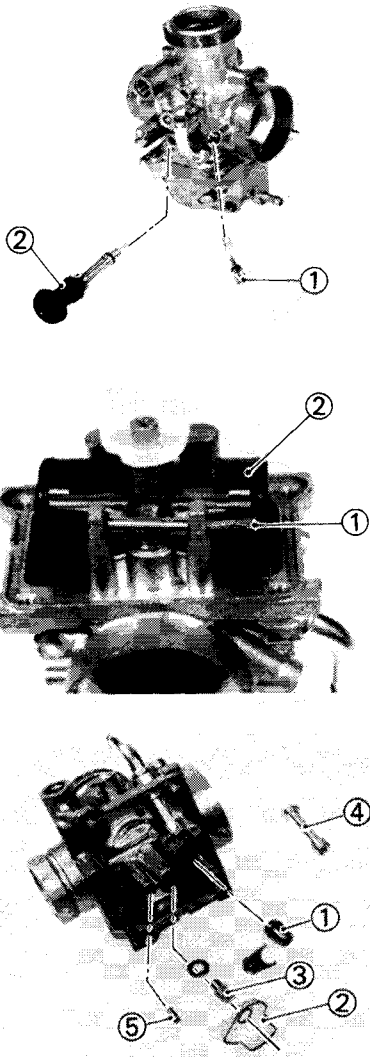
**REMOVAL**

1. Remove:
 - Carburetor assembly
Refer to engine removal section.

NOTE: _____

The following parts can be cleaned and inspected without disassembly.

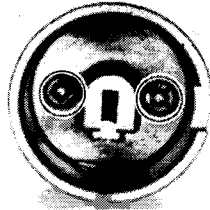
- Throttle valve
- Pilot air screw
- Starter plunger

**DISASSEMBLY**

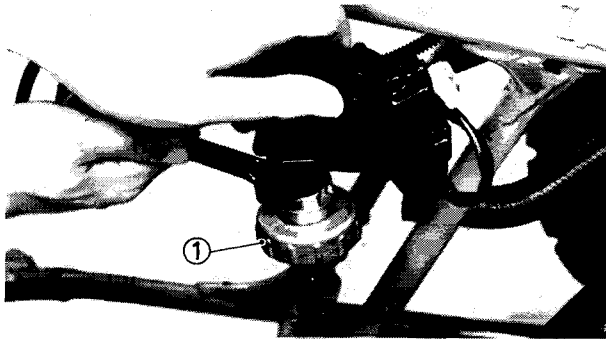
1. Remove:
 - Pilot air screw ①
 - Starter plunger ②

2. Remove:
 - Float chamber cover ②
 - Float pin ①
 - Float ②
 - Needle valve

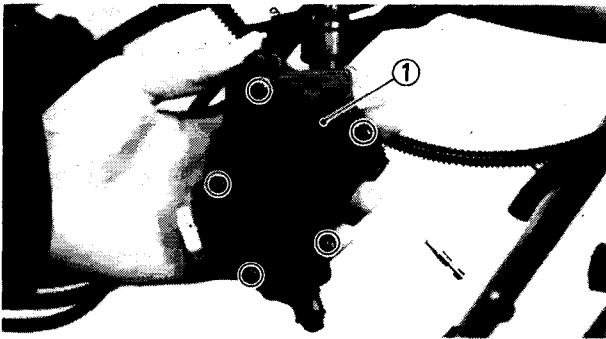
3. Remove:
 - Valve seat ①
 - Main jet ring ②
 - Main jet ③
 - Main nozzle ④
 - Pilot jet ⑤



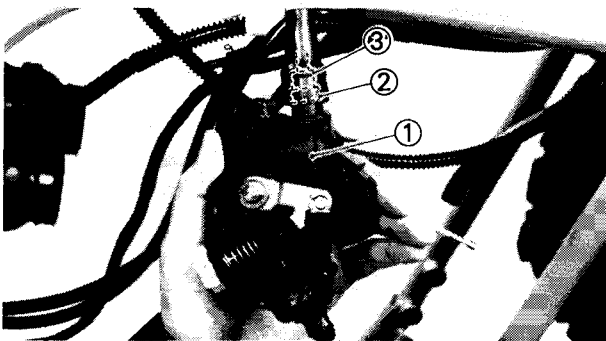
4. Remove:
 - Cable stopper
 - Throttle valve
 - Jet needle



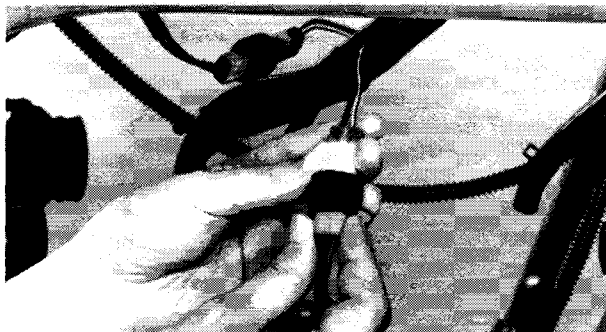
5. Remove:
 - Carburetor top ①



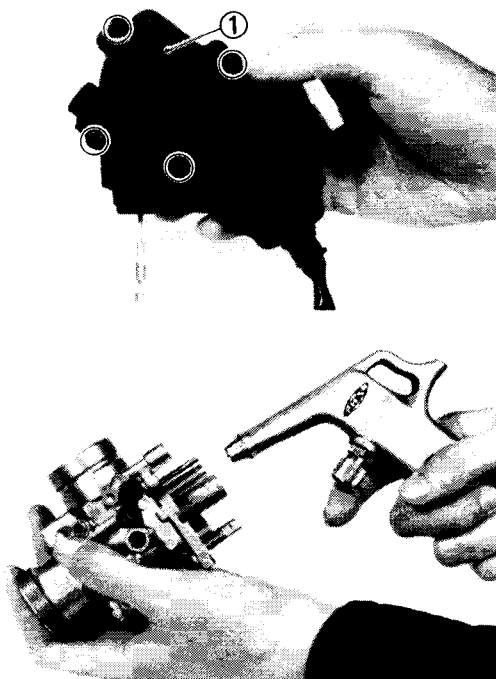
6. Remove:
 - Cover (T.O.R.S. switch-Right) ①



7. Disconnect:
 - Throttle cable ①
8. Loosen:
 - Locknut ②
9. Remove:
 - Adjuster ③



10. Disconnect:
 - T.O.R.S. switch lead



11. Remove:

- Cover (T.O.R.S. switch-Left) ①
- Throttle valve cable

INSPECTION

1. Inspect:

- Carburetor body
Contamination → Clean.

NOTE: _____

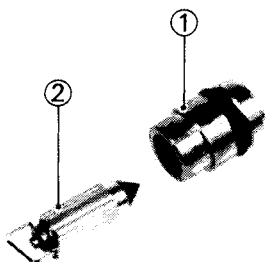
Use a petroleum based solvent for cleaning. Blow out all passages and jets with compressed air.

2. Inspect:

- Valve seat ①/Needle valve ②
Wear/Contamination → Replace.

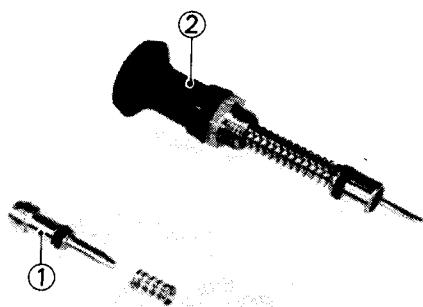
NOTE: _____

Always replace the needle valve and valve seat as a set.



3. Inspect:

- Pilot air screw ①/Starter plunger ②
Wear/Contamination → Replace.
- O-rings
Damage → Replace.

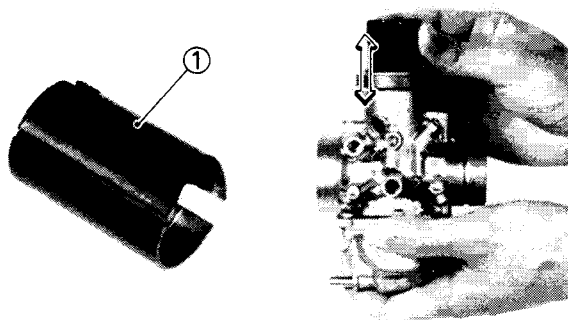


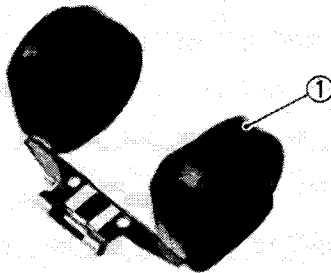
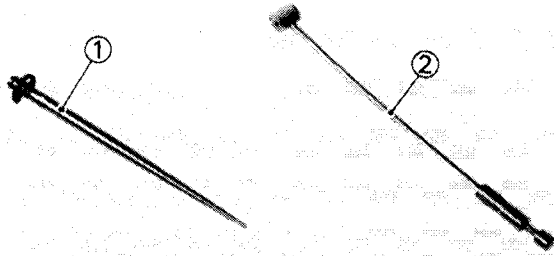
4. Inspect:

- Throttle valve ①
Wear/Damage → Replace.

5. Check:

- Free movement
Stick → Replace.
Insert the throttle valve into the carburetor body, and check for free movement.





6. Inspect:

- Jet needle ①
Bends/Wear → Replace.
- Throttle valve cable ②
Wear/Damage → Replace.
- Gasket
Damage → Replace.

7. Inspect:

- Float ①
Damage → Replace.

ASSEMBLY

To assemble the carburetor, reverse the disassembly procedures. Note the following points.

CAUTION:

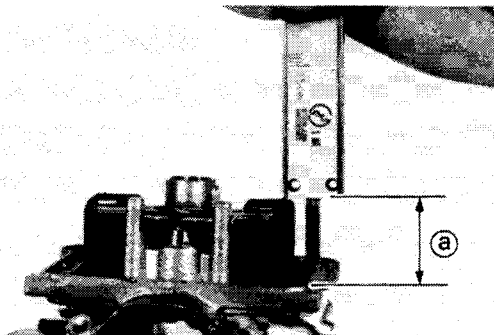
- Before reassembling, wash all parts in clean gasoline.
- Always use a new gasket.

1. Install:

- Valve seat
- Float
- Float pin

2. Measure:

- Float height
Out of specification → Adjust.

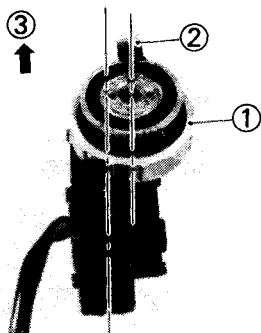
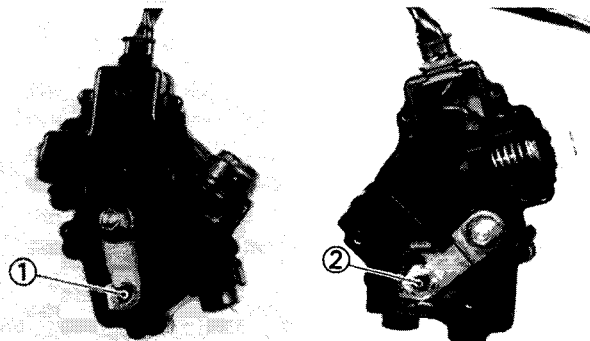
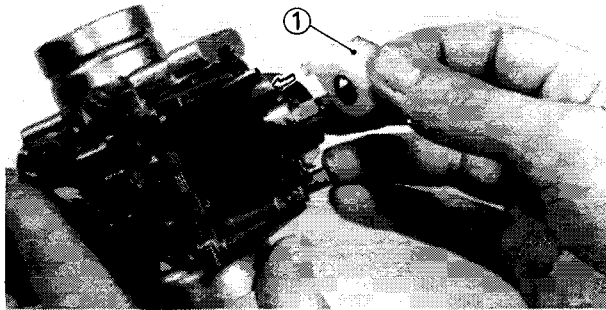
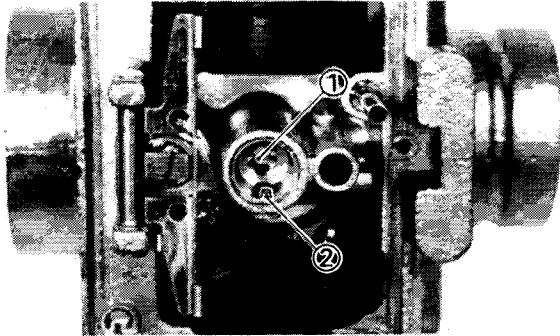
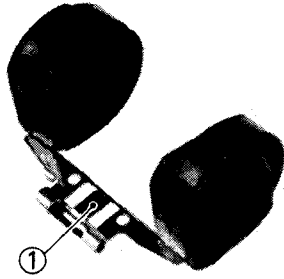


Float height measurement and adjustment steps:

- Hold the carburetor in an upside down position.
- Measure the distance between the mating surface of the float chamber (gasket removed) and top of the float using a gauge.



Float Height ①:
20 ~ 22 mm (0.80 ~ 0.88 in)



NOTE: _____

The float arm should be resting on the needle valve, but not compressing the needle valve.

- If the float height is not within specification, inspect the valve seat and needle valve.
- If either is worn, replace them both.
- If both are fine, adjust the float height by bending the float tang ① on the float.
- Recheck the float height.

3. Install:

- Pilot jet
- Main nozzle ①
- Main jet

NOTE: _____

Be sure the pin ② engages with the locating slot on the main nozzle ①.

4. Install:

- Main jet ring ①
- Starter plunger
- Pilot air screw
- Float chamber cover

5. Apply:

- Lithium base grease
- Lightly grease to the cable pivot ①, ②.

6. Install:

- Throttle cable
- Throttle valve cable
- Covers (T.O.R.S. switch)

7. Install:

- Washer
- Carburetor top ①

NOTE: _____

Install the carburetor top ① with its tab ② forward ③.

8. Connect:

- T.O.R.S. switch lead



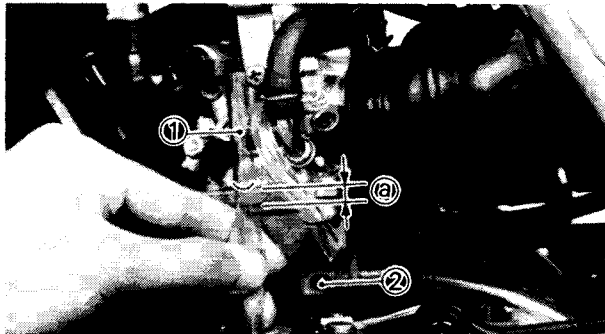
INSTALLATION

1. Install:
 - Carburetor assembly
 Reverse the removal step.

ADJUSTMENT

NOTE: _____

Before adjusting the fuel level, the float height should be adjusted.



1. Measure:
 - Fuel level
 Out of specification → Adjust.

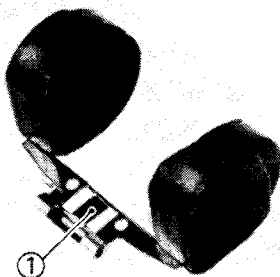
Fuel level measurement and adjustment steps:

- Place the machine on a level place.
- Attach the Fuel Level Gauge ① (YM-01312-A) to the float chamber nozzle.
- Loosen the drain screw ② and start the engine.
- Place tube vertically next to the center of the mating line of the mixing body and float chamber cover.
- Measure the fuel level ③ with gauge.



Fuel Level ③:
3.0 ~ 4.0 mm (0.12 ~ 0.16 in)
Above the Carburetor Body
Edge.

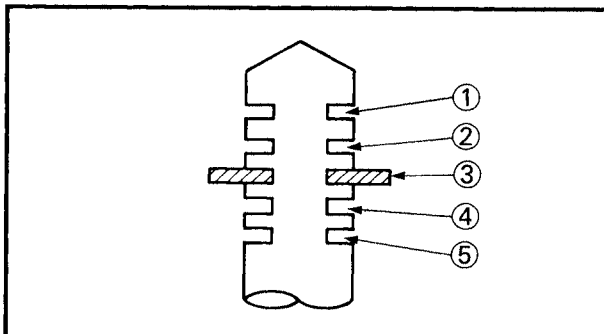
- If the fuel level is incorrect, adjust the fuel level.
- Remove the carburetor.
- Inspect the valve seat and needle valve.
- If either is worn, replace them both.
- If both are fine, adjust the float height by bending the float tang ① on the float.
- Recheck the fuel level.



2. Jet needle clip position

- Mid-range air/fuel mixture characteristics of the motorcycle
- Poor condition → Jet needle position change.

Jet Needle Type: 5N7
Standard Clip Position: No. 3 Groove



- ① 1st (Leaner condition)
- ② 2nd
- ③ 3rd (Standard position)
- ④ 4th
- ⑤ 5th (Richer condition)



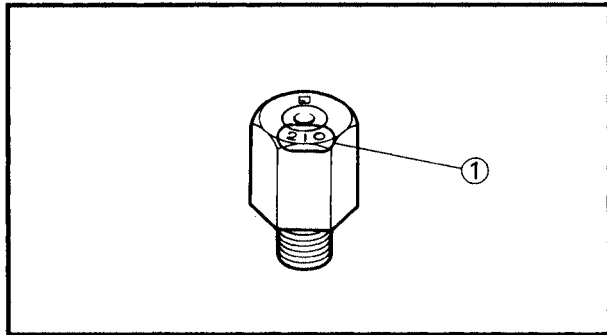
CARBURETOR SETTING CHANGE

In extremely cold weather, it is necessary to change carburetor setting to maintain optimum engine performance and to prevent engine damage.

NOTE: _____
 #200, #220, #240 optional main jets are enclosed in the tool compartment.

1. Remove:
 - Carburetor assembly
 - Refer to "CARBURETOR—REMOVAL" section.

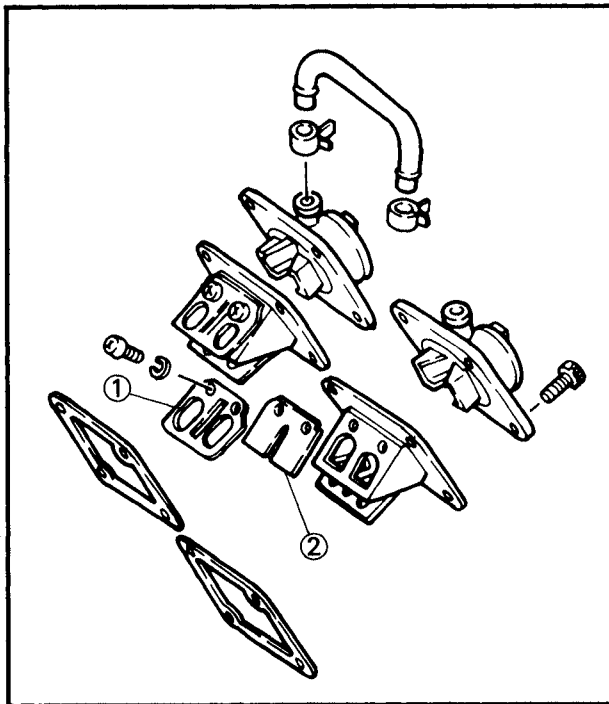
2. Adjust:
 - Carburetor setting



Carburetor setting chart			
Temperature	Main jet	Jet needle	Pilot air screw (turns out)
20°C above (68°F)	# 200	3rd groove	2.0
0°C (32°F) } 20°C (68°F)	# 210	3rd groove	2.0
+5°C (41°F) } -15°C (5°F)	# 220	3rd groove	1 - 1/2
-10°C (14°F) } -30°C (-22°F)	# 240	4th groove	1 - 1/2

① Main jet number

3. Install:
 - Carburetor assembly
 - Refer to "CARBURETOR—INSTALLATION" section.



REED VALVE

REMOVAL

1. Remove:
 - Reed valve assembly
 Refer to "CHAPTER 3. ENGINE REMOVAL" section.

DISASSEMBLY

1. Remove:
 - Reed valve stopper ①
 - Reed valve ②

INSPECTION

1. Inspect:
 - Rubber joint
Weathering/Other deterioration → Replace.
 - Reed petals
Fatigue/Cracks → Replace.

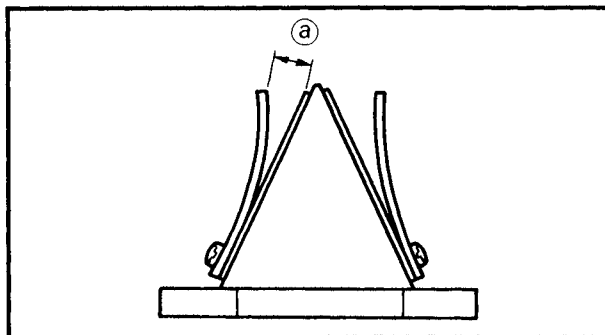
Inspection steps:

- Visually inspect the reed petals.


NOTE: _____

Correct reed petals should fit flush or nearly flush against neoprene seats.

- If in doubt as to sealing ability, apply suction to carburetor side of assembly.
- Leakage should be slight to moderate.

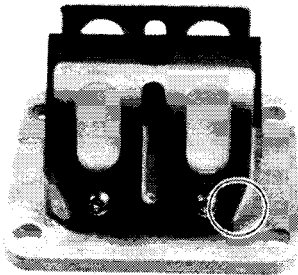
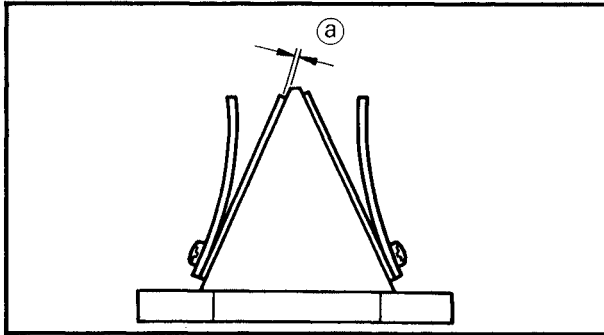


2. Measure:
 - Valve stopper height ①
 Out of specification → Adjust stopper/ Replace valve stopper.

 **Valve Stopper Height ①:**
10.3 ~ 10.7 mm (0.406 ~ 0.421 in)

NOTE: _____

If it is 0.4 mm (0.016 in) more or less than specified, replace the valve stopper.



3. Measure:

- Reed valve bending limit (a)
- Out of specification → Replace.



Reed Valve Bending Limit (a):
0.5 mm (0.02 in)

ASSEMBLY

When assembling the reed valve, reverse the disassembly procedure. Note the following points.

1. Install:

- Reed valve
- Reed valve stopper

NOTE: _____

Note the cut in the lower corner of the reed and stopper plate.

2. Tighten:

- Screws (Reed valve)



Screws (Reed Valve):
1 Nm (0.1 m•kg, 0.7 ft•lb)
LOCTITE®

NOTE: _____

Tighten each screw gradually to avoid warping.

INSTALLATION

When installing the reed valve, reverse the removal procedure. Note the following points.

1. Install:

- Gasket (New)

2. Tighten:

- Bolts (Carburetor joint)



Bolts (Carburetor Joint):
10 Nm (1.0 m•kg, 7.2 ft•lb)

NOTE: _____

Tighten each bolt gradually to avoid warping.



CHAPTER 6 CHASSIS

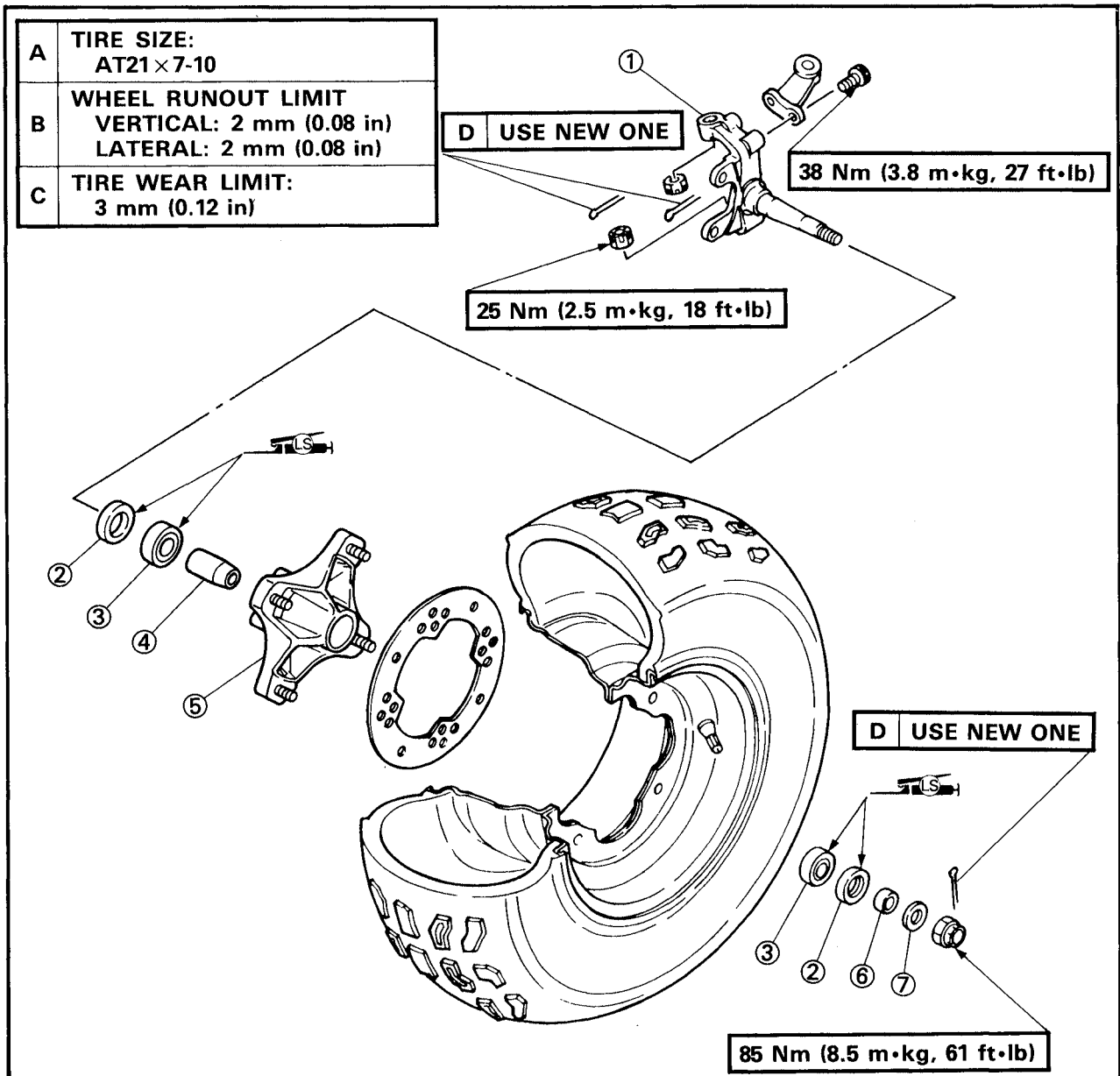
FRONT WHEEL	6-1
REMOVAL	6-2
INSPECTION	6-3
INSTALLATION	6-4
 REAR WHEEL AND REAR AXLE	 6-6
REMOVAL	6-7
INSPECTION	6-8
INSTALLATION	6-9
 FRONT BRAKE	 6-12
BRAKE PAD REPLACEMENT	6-14
CALIPER DISASSEMBLY	6-15
MASTER CYLINDER DISASSEMBLY	6-17
BRAKE DISC	6-19
AIR BLEEDING	6-20
 REAR BRAKE	 6-21
BRAKE PAD REPLACEMENT	6-22
CALIPER DISASSEMBLY	6-24
MASTER CYLINDER DISASSEMBLY	6-27
BRAKE DISC	6-28
AIR BLEEDING	6-28
 STEERING SYSTEM	 6-29
REMOVAL	6-30
INSPECTION	6-31
INSTALLATION	6-31
 STEERING KNUCKLES AND TIE-ROD ENDS	 6-33
REMOVAL	6-33
INSPECTION	6-33
INSTALLATION	6-34
ADJUSTMENT	6-35
 FRONT SHOCK ABSORBER AND FRONT ARMS	 6-37
REMOVAL	6-38
FREE PLAY INSPECTION	6-39
INSPECTION	6-40
INSTALLATION	6-40
 REAR SHOCK ABSORBER AND SWINGARMS	 6-43
HANDLING NOTES	6-44
NOTES ON DISPOSAL	6-44
REMOVAL	6-45
FREE PLAY INSPECTION	6-46
INSPECTION	6-46
INSTALLATION	6-48

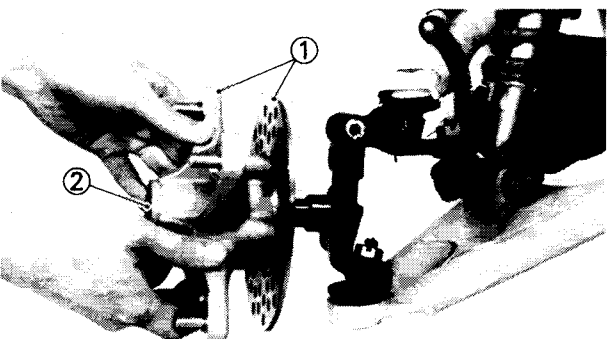
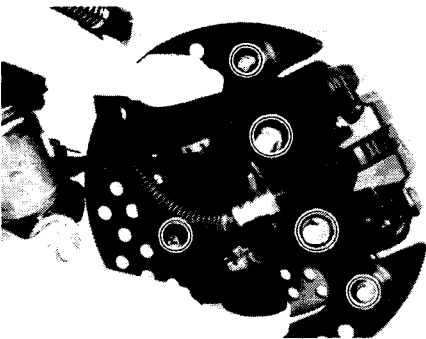
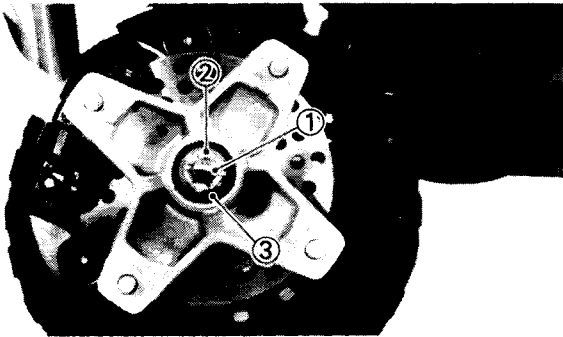
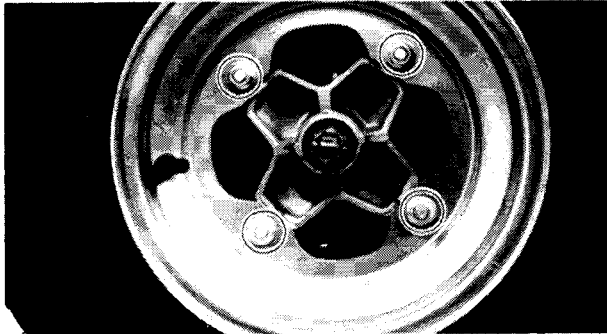
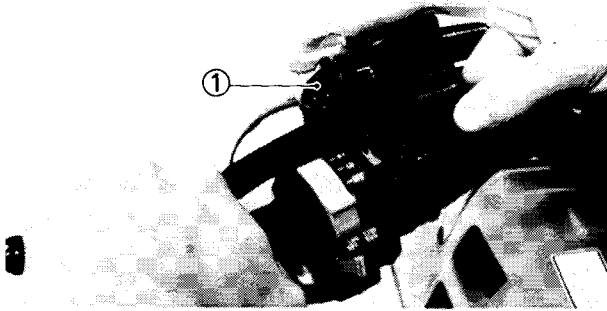
CHASSIS

FRONT WHEEL

- ① Steering knuckle
- ② Oil seal
- ③ Bearing
- ④ Spacer
- ⑤ Front hub
- ⑥ Collar
- ⑦ Washer

TIRE AIR PRESSURE		
COLD TIRE PRESSURE	FRONT	REAR
STANDARD	30 kPa (0.30 kg/cm ² , 4.3 psi)	25 kPa (0.25 kg/cm ² , 3.6 psi)
MINIMUM	27 kPa (0.27 kg/cm ² , 3.8 psi)	22 kPa (0.22 kg/cm ² , 3.1 psi)
MAXIMUM	33 kPa (0.33 kg/cm ² , 4.7 psi)	28 kPa (0.28 kg/cm ² , 4.0 psi)





REMOVAL

Front Wheel Removal

1. Place the machine on a level place.
2. Loosen:
 - Nuts (Front wheel)
 Apply the parking brake ①.
3. Elevate the front wheels by placing the suitable stand under the frame.
4. Remove:
 - Nuts (Front wheel)
 - Front wheel
 - Disc cover (Outer)

Front Wheel Hub Removal

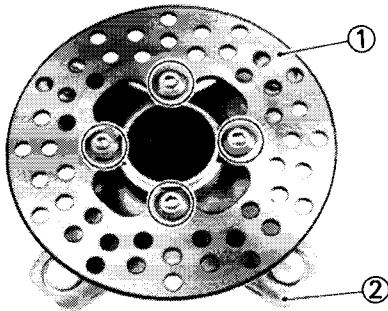
1. Remove:
 - Cotter pin ①
 - Axle nut ②
 - Plain washer ③
2. Remove:
 - Disc cover (Inner)
 - Front brake caliper
3. Remove:
 - Front wheel hub and brake disc assembly ①
 - Collar ②

CAUTION:

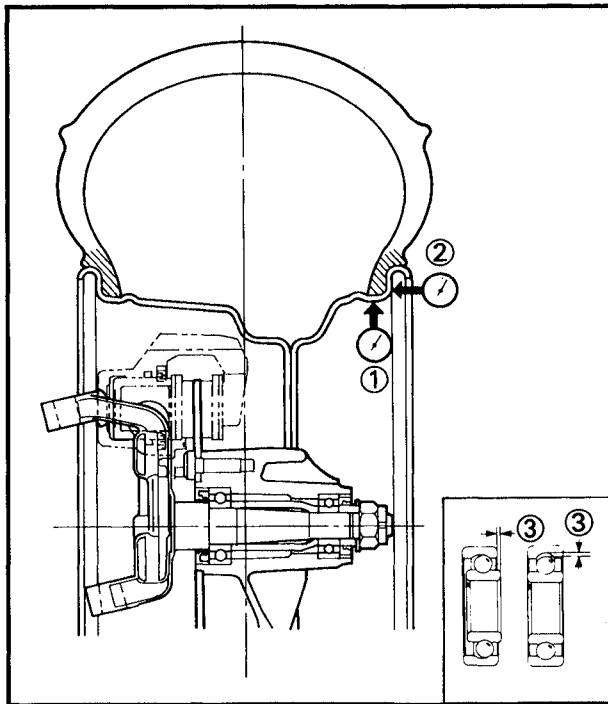
Make sure the machine is properly supported.



NOTE: _____
 Do not depress the brake lever when the brake caliper is off the disc otherwise the brake pads will be forced shut.



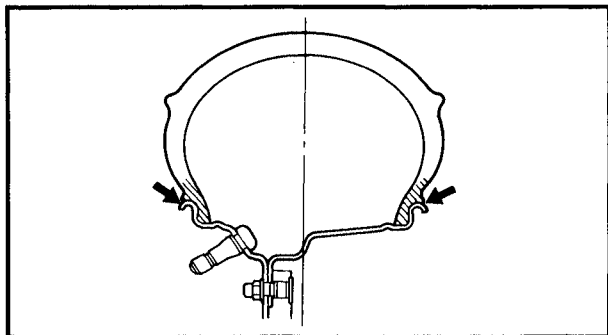
4. Remove:
- Front brake disc ①
 - Front wheel hub ②



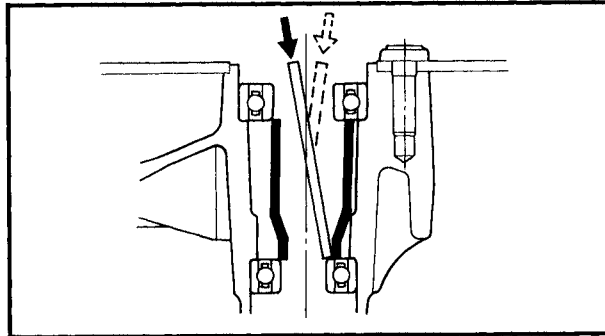
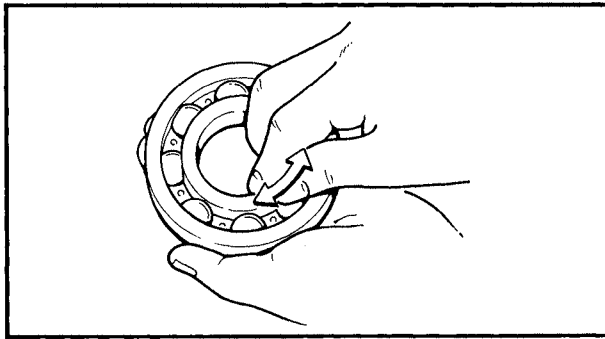
INSPECTION

1. Inspect:
 - Wheel
 Cracks/Bends/Warpage → Replace.
2. Measure:
 - Wheel runout
 Over specified limit → Replace wheel or check bearing play ③.

	Rim Runout Limits:
	Radial ① : 2.0 mm (0.08 in)
	Lateral ② : 2.0 mm (0.08 in)



WARNING: _____
 After mounting a tire, ride conservatively to allow proper tire to rim seating. Failure to do so may cause an accident resulting in machine damage and possible operator injury.



3. Check:

- Wheel bearings

Bearing allow play in the wheel hub or wheel turns roughly → Replace.

Wheel bearing replacement steps:

- Clean the outside of the wheel hub.
- Drive out the bearing.

WARNING:

Eye protection is recommended when using striking tools.

- Install the new bearing by reversing the previous steps.

NOTE:

Use a socket that matches the outside diameter of the race of the bearing.

CAUTION:

Do not strike the center race or balls of the bearing. Contact should be made only with the outer race.

INSTALLATION

When installing the front wheel, reverse the removal procedure. Note the following points.

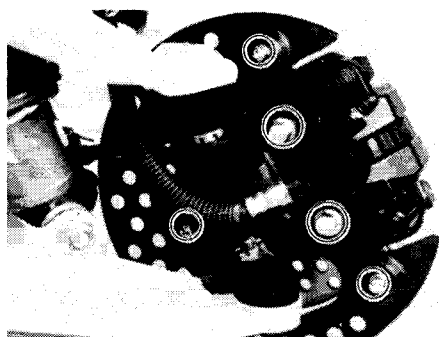
1. Apply:

- Lithium base grease

Lightly grease to the oil seal and bearing.

2. Install:

- Front brake disc
- Disc cover (Inner)
- Front brake caliper
- Axle nut

**Front Brake Disc:**

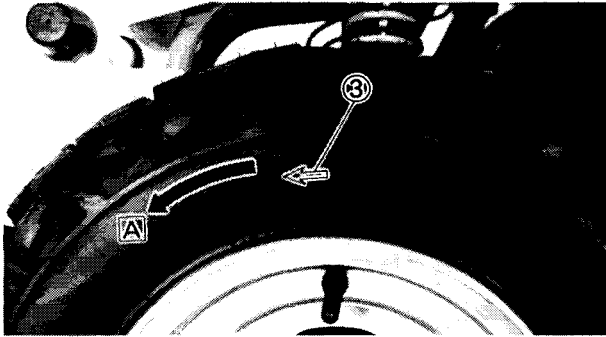
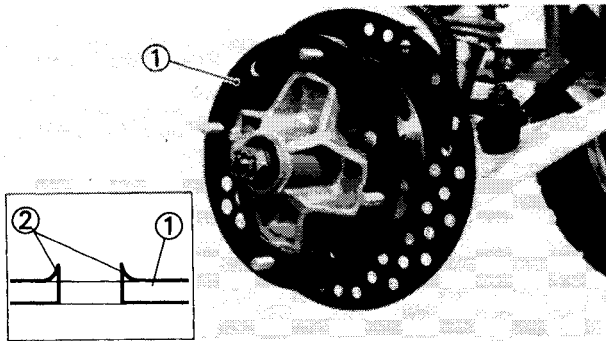
28 Nm (2.8 m•kg, 20 ft•lb)

Front Brake Caliper:

28 Nm (2.8 m•kg, 20 ft•lb)

Axle Nut:

85 Nm (8.5 m•kg, 61 ft•lb)




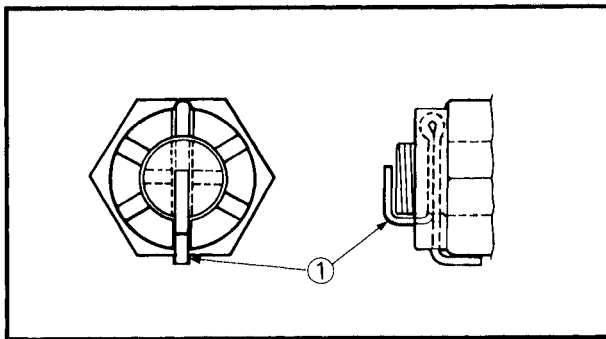
3. Install:
- Disc cover (Outer)
 - Front wheels

NOTE: _____

- Install the disc cover (outer) ① with punched burrs ② on the hub side.
- The arrow mark ③ on the tire must point toward the rotating direction **A** of the wheel.

4. Tighten:
- Nuts (Front wheel)

	<p>Nuts (Front Wheel): 45 Nm (4.5 m•kg, 32 ft•lb)</p>
---	--



5. Install:
- Cotter pin (New) ①

NOTE: _____

Do not loosen the axle nut after torque tightening. If the axle nut groove is not aligned with the cotter pin hole, align groove with the hole by tightening up on the axle nut.

WARNING: _____

Always use a new cotter pin.

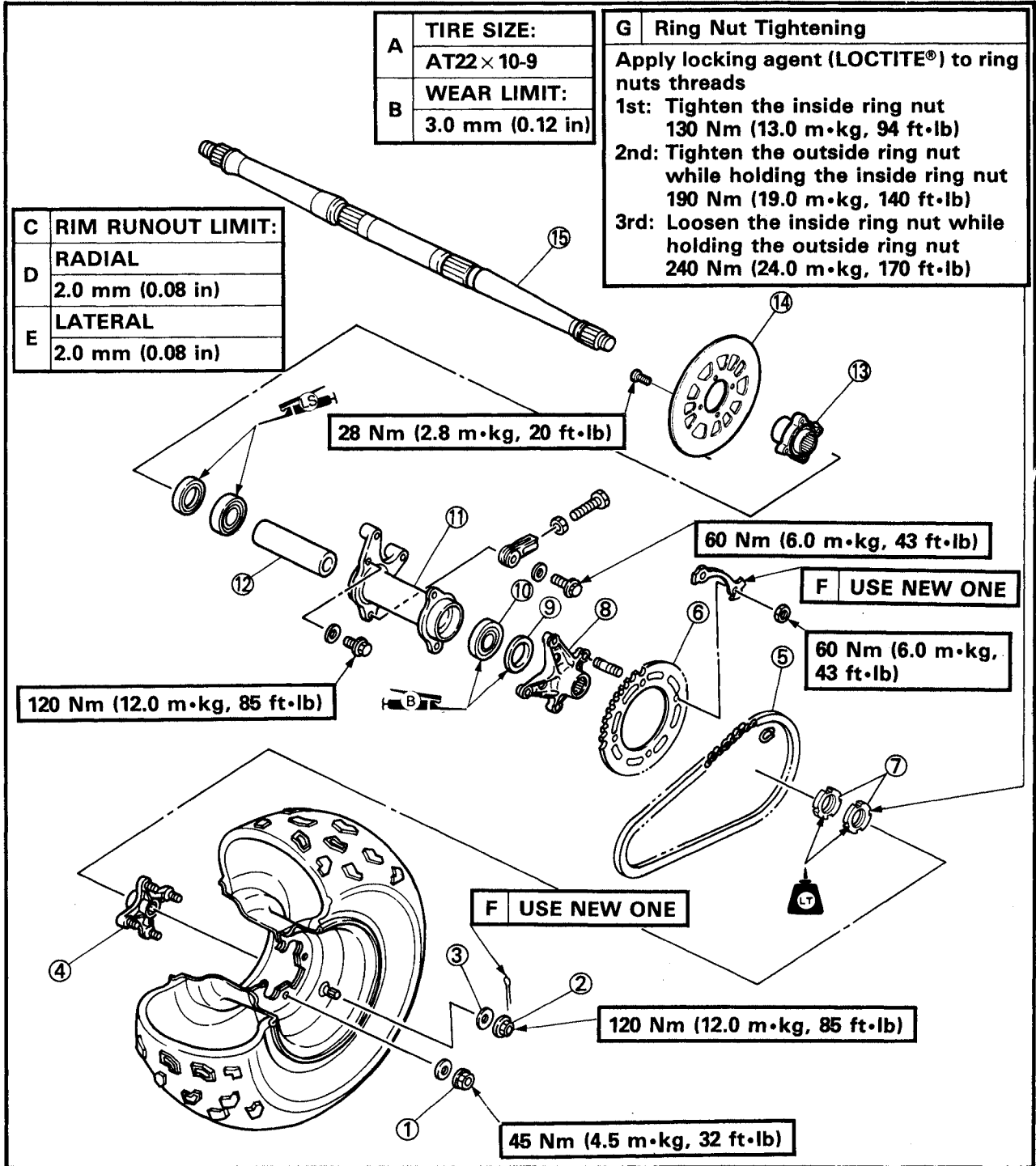


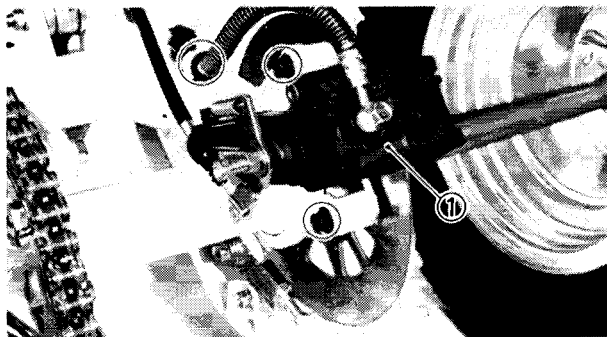
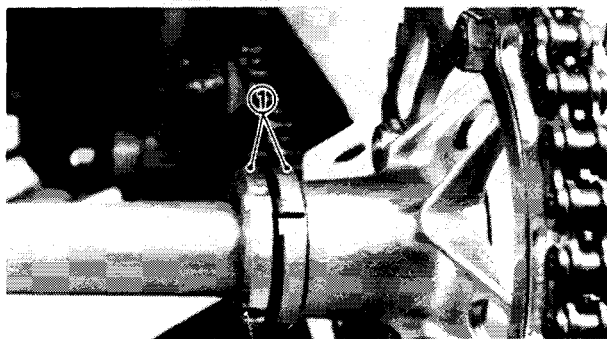
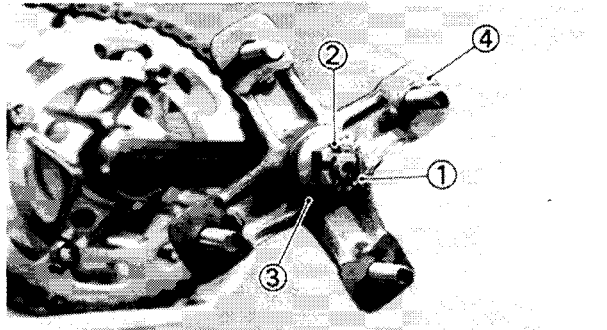
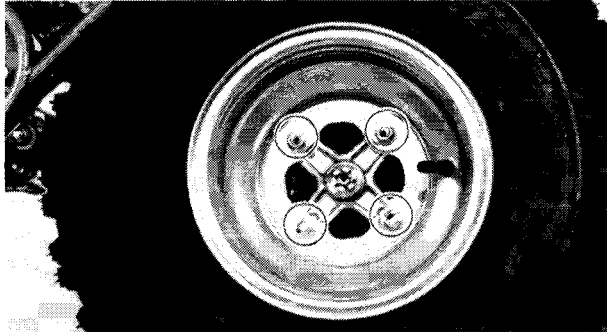
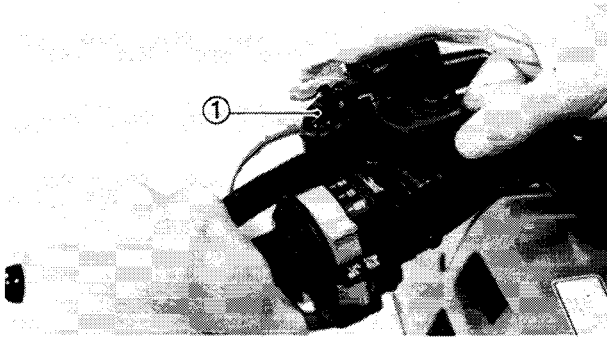
REAR WHEEL AND REAR AXLE

- ① Wheel panel nut
- ② Axle nut
- ③ Washer
- ④ Wheel boss
- ⑤ Drive chain
- ⑥ Driven sprocket
- ⑦ Ring nut
- ⑧ Sprocket boss

- ⑨ Oil seal
- ⑩ Bearing
- ⑪ Wheel hub
- ⑫ Spacer
- ⑬ Brake disc boss
- ⑭ Brake disc
- ⑮ Rear axle

- Ⓜ DRIVE CHAIN SLAK
STANDARD: 15 mm (0.6 in)
LIMIT: 40 mm (1.6 in)





REMOVAL

Rear Wheel Removal

1. Place the machine on a level place.
2. Loosen:
 - Nuts (Rear wheel)
 Apply the parking brake ①.
3. Elevate the rear wheels by placing the suitable stand under the rear of frame.
4. Remove:
 - Nuts (Rear wheel)
 - Rear wheel

Rear Wheel Hub Removal

1. Remove:
 - Cotter pin ①
 - Axle nut ②
 - Plain washer ③
 - Wheel hub ④

Rear Wheel Axle Removal

1. Remove:
 - Ring nuts ①
 Use the Ring Nut Wrench (YU-01268).

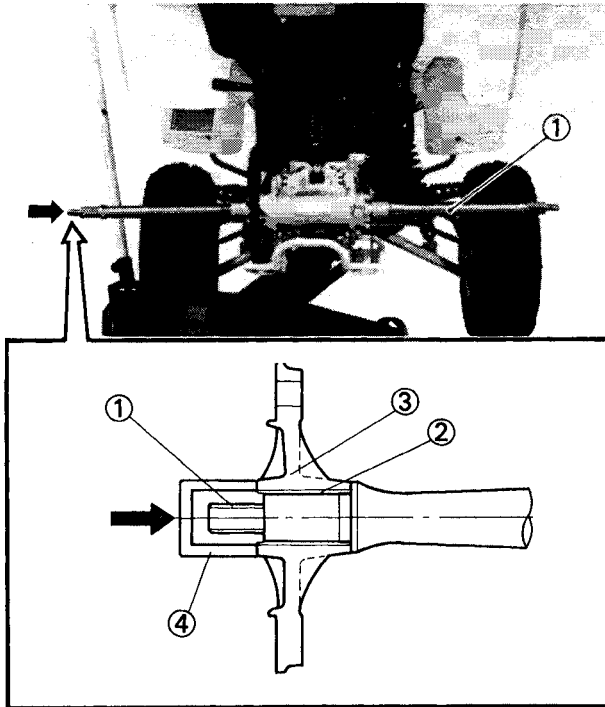
NOTE:

Apply the rear brake to lock the rear axle.

2. Remove:
 - Rear brake caliper assembly ①

NOTE:

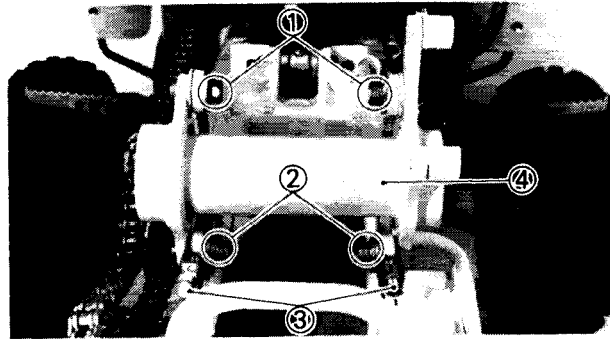
Do not depress the parking brake lever and brake pedal when the brake caliper is off the disc otherwise the brake pads will be forced shut.



3. Remove:
 - Rear axle ①
 - From the right side.
 - Brake disc

CAUTION:

- Never directly tap the axle end with a hammer, this will result in damage to the axle thread ① and spline ② .
- Install the wheel boss ③ and suitable socket ④ on the axle end to protect the thread and spline from damage.

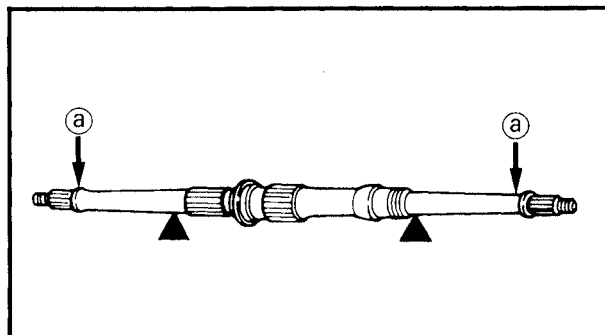


Wheel Hub Removal

1. Remove:
 - Driven sprocket and sprocket boss assembly
 - Bolts (Upper wheel hub) ①
 - Bolts (Lower wheel hub) ②
 - Tensioner assembly ③
 - Wheel hub ④

INSPECTION

1. Inspect:
 - Wheel
 - Refer to "FRONT WHEEL—INSPECTION" section.
2. Measure:
 - Wheel runout
 - Refer to "FRONT WHEEL—INSPECTION" section.
3. Inspect:
 - Rear axle runout (a)
 - Out of specification → Replace.



	<p>Rear Axle Runout Limit: 1.5 mm (0.06 in)</p>
--	--

WARNING:

Do not attempt to straighten a dent axle.



4. Inspect:
 - Oil seals
Damage → Replace.
5. Check:
 - Bearings
Bearings allow play in the final gear housing and rear hub or rear axle turns roughly → Replace. Refer to "FRONT WHEEL" section.

INSTALLATION

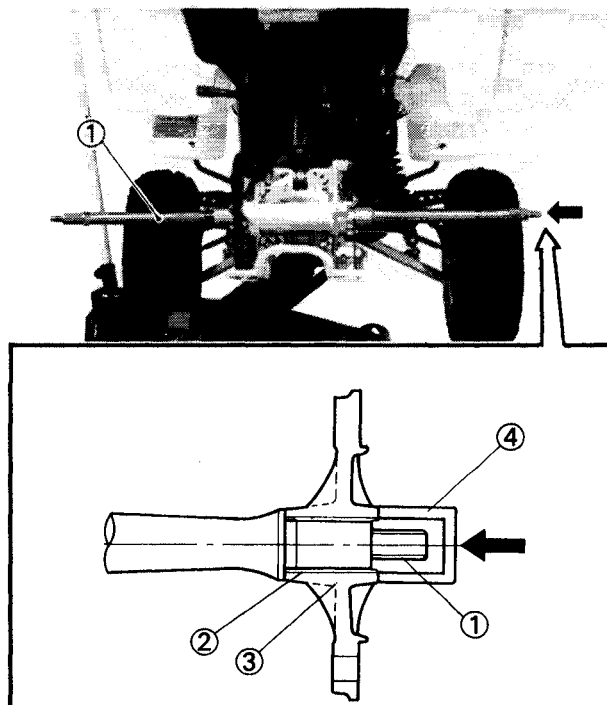
When installing the rear wheel, reverse the removal procedure. Note the following points.

Wheel Hub Installation

1. Apply:
 - Lithium base grease
Lightly grease to the oil seals and bearing.
2. Install:
 - Wheel hub
 - Tensioner assembly



Bolts (Wheel Hub—Lower):
60 Nm (6.0 m•kg, 43 ft•lb)
Bolts (Wheel Hub—Upper):
120 Nm (12.0 m•kg, 85 ft•lb)



Rear Axle Installation

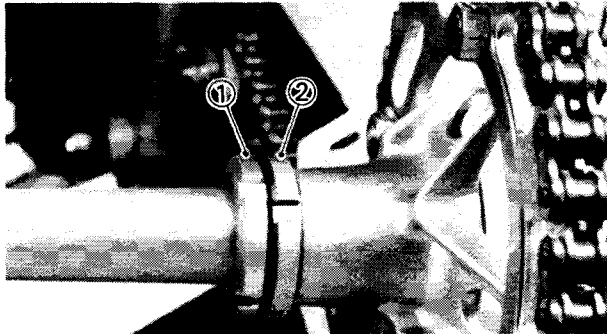
1. Install:
 - Brake disc
 - Rear axle ①
Tap the RIGHT END axle.

CAUTION:

- Never directly tap the axle end with a hammer, this will result in damage to the axle thread ① and spline ②.
- Install the wheel boss ③ and suitable socket ④ on the axle end to protect the thread and spline from damage.

2. Install:
 - Drive sprocket and sprocket boss assembly

3. Apply the brake pedal and parking brake.
4. Install:
 - Ring nuts (Rear axle)




5. Tighten:
 - Ring nuts (Rear axle) ①, ②

Ring nuts tightening steps:


NOTE: _____

Before tightening the ring nuts, apply the LOCTITE® to the thread portion of the rear axle.


- Finger tighten the inside-ring nut ② while checking the ring gear engagement.
- Tighten the inside-ring nut with Ring Nut Wrench (YU-01268) to specification while holding the rear axle.

	Inside-Ring Nut (First Tightening): 130 Nm (13.0 m•kg, 94 ft•lb)
---	---


- Hold the inside-ring nut ② and tighten the outside-ring nut ① with Ring Nut Wrench to specification.

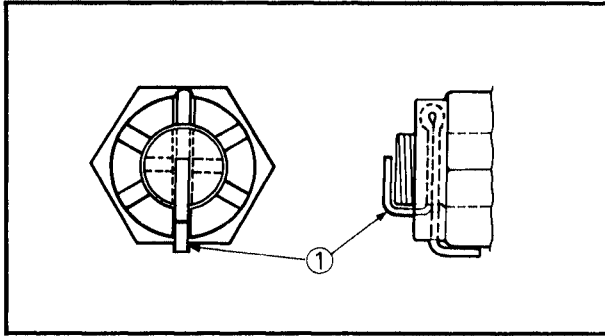
	Outside-Ring Nut: 190 Nm (19.0 m•kg, 140 ft•lb)
---	--

- Hold the outside-ring nut ① and tighten back the inside-ring nut ② with Ring Nut Wrench to specification.

	Inside-Ring Nut (Final Tightening): 240 Nm (24.0 m•kg, 170 ft•lb)
---	--

6. Install:
 - Rear brake caliper

	Rear Brake Caliper: 23 Nm (2.3 m•kg, 17 ft•lb)
---	---



Rear Wheel Hub Installation

1. Tighten:
 - Axle nuts



Axle Nuts:

120 Nm (12.0 m•kg, 85 ft•lb)

2. Install:
 - Cotter pins (New) ①

NOTE:

Do not loosen the axle nut after torque tightening. If the axle nut groove is not aligned with the cotter pin hole, align groove with the hole by tightening up on the axle nut.

WARNING:

Always use a new cotter pin.

Rear Wheel Installation

1. Install:
 - Rear wheels
2. Tighten:
 - Nuts (Rear wheel)



Nuts (Rear Wheel):

45 Nm (4.5 m•kg, 32 ft•lb)

3. Adjust:
 - Drive chain slack
Refer to "CHAPTER 2. DRIVE CHAIN SLACK ADJUSTMENT" section.

FRONT BRAKE

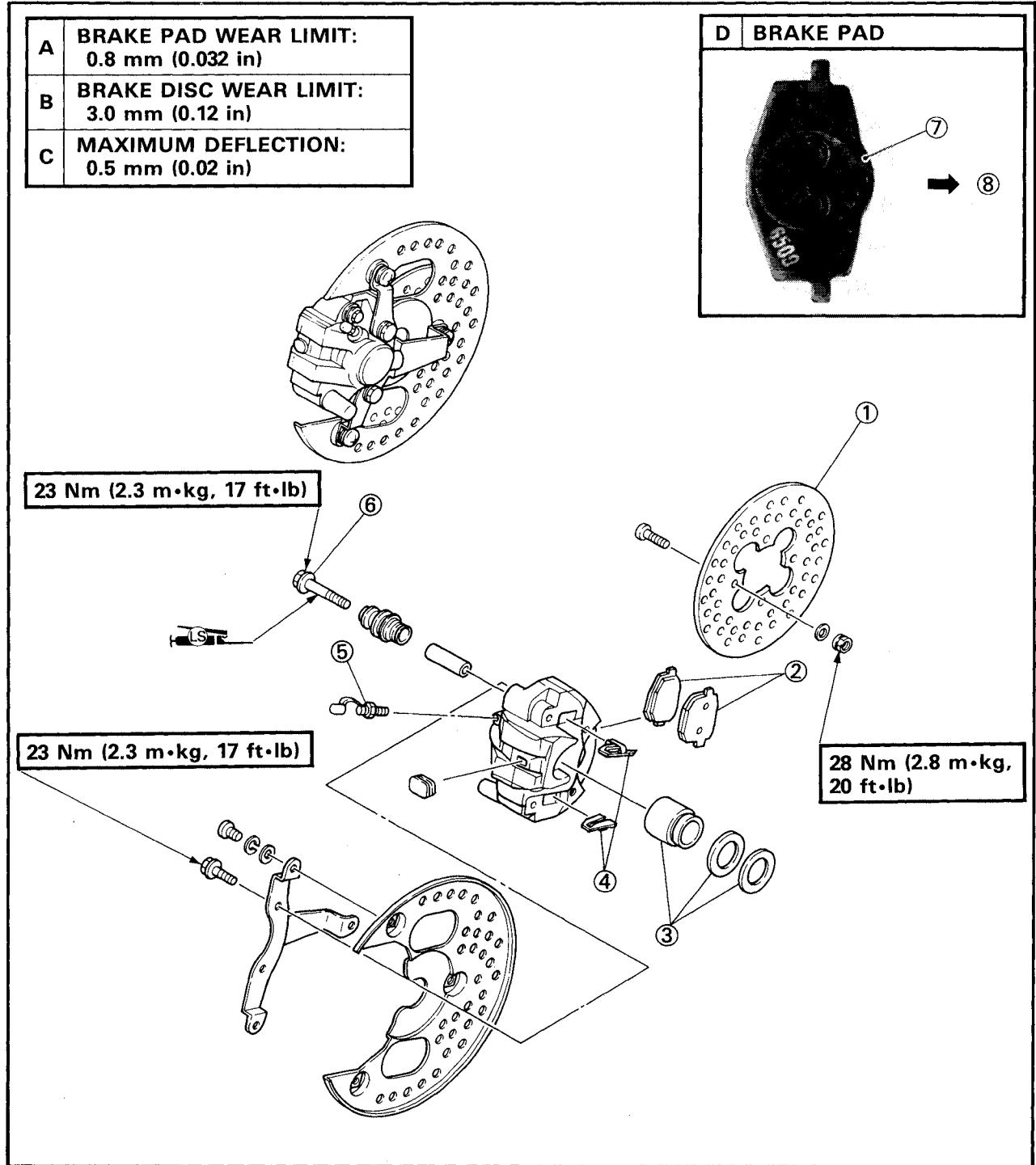
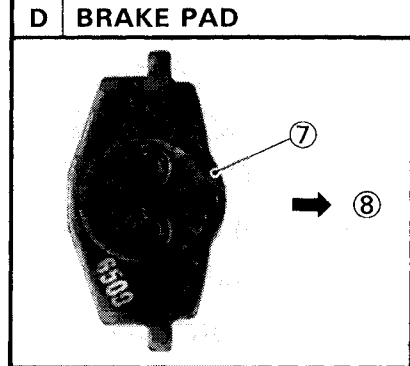
BRAKE CALIPER AND BRAKE DISC

- ① Brake disc
- ② Brake pads
- ③ Caliper piston assembly
- ④ Pad springs
- ⑤ Air bleed screw
- ⑥ Retaining bolt

NOTE: _____

- Be sure to position the pad so that its round side ⑦ is forward ⑧.
- Drain the brake fluid before removing the brake hose.

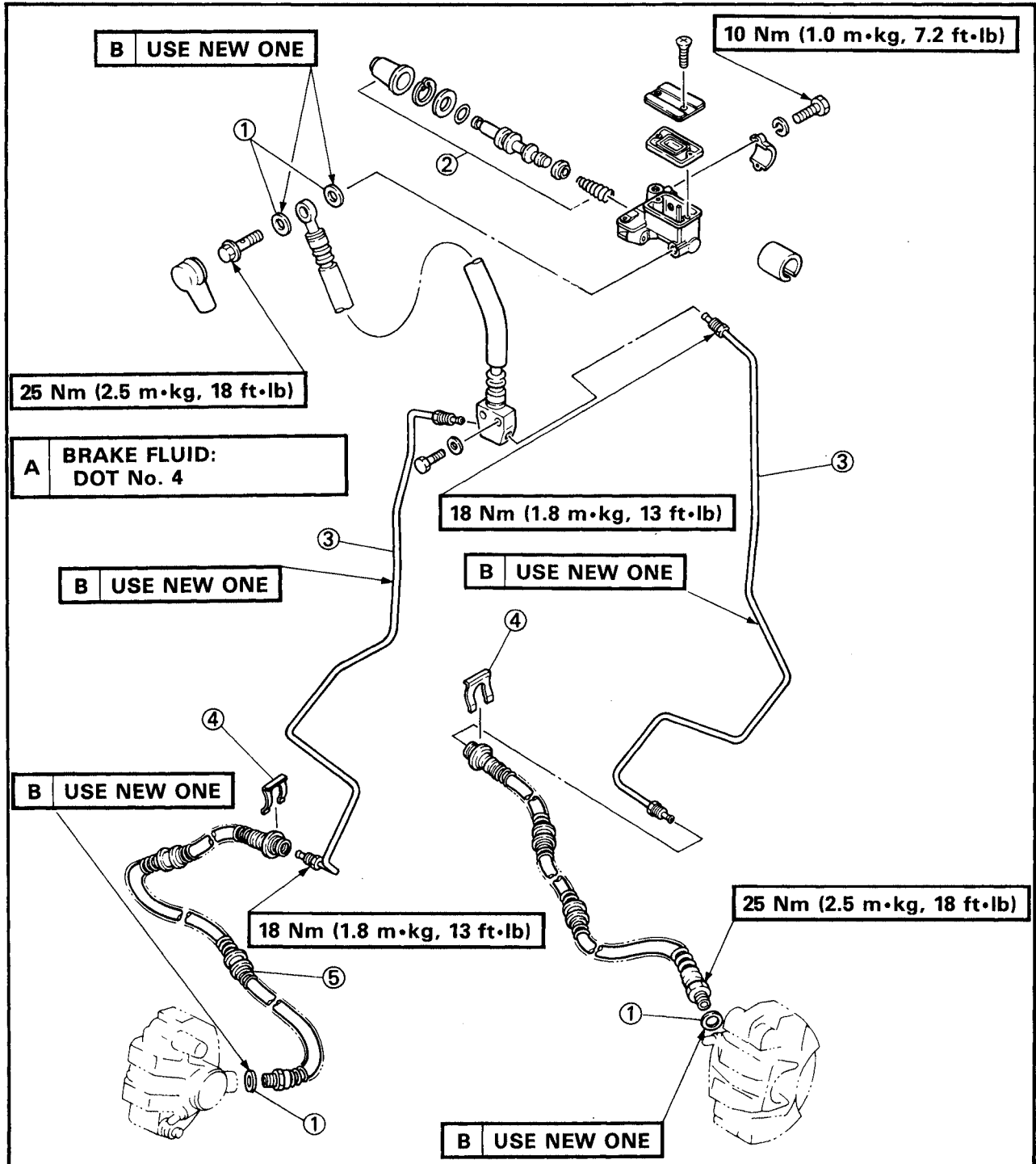
A	BRAKE PAD WEAR LIMIT: 0.8 mm (0.032 in)
B	BRAKE DISC WEAR LIMIT: 3.0 mm (0.12 in)
C	MAXIMUM DEFLECTION: 0.5 mm (0.02 in)



BRAKE HOSE AND MASTER CYLINDER

NOTE: _____
Always use a new brake pipe after removal.

- ① Copper washers
- ② Master cylinder kit
- ③ Brake pipe
- ④ Clip
- ⑤ Brake hose



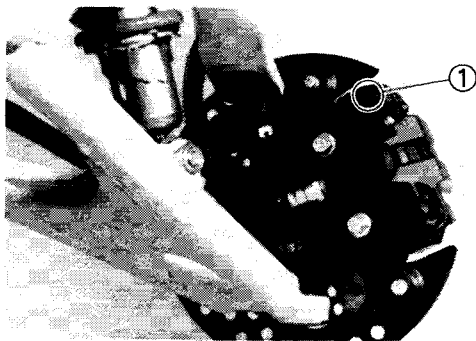
**CAUTION:**

Disc brake components rarely require disassembly. **DO NOT:**

- Disassembly components unless absolutely necessary.
- Use solvents on internal brake component.
- Use contaminated brake fluid for cleaning. Use only clean brake fluid.
- Allow brake fluid to come in contact with the eyes otherwise eye injury may occur.
- Allow brake fluid to contact painted surfaces or plastic parts otherwise damage may occur.
- Disconnect any hydraulic connection otherwise the entire system must be disassembled, drained, cleaned, and then properly filled and bled after reassembly.

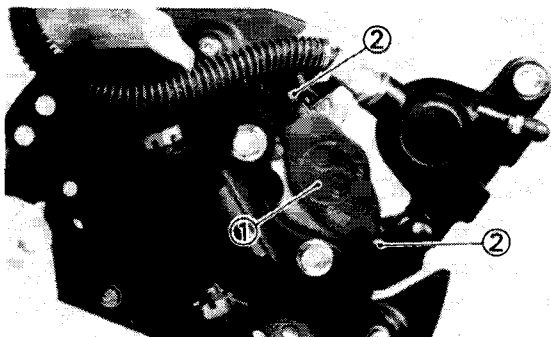
NOTE:

Drain the brake fluid before removing brake hose.

**BRAKE PAD REPLACEMENT**

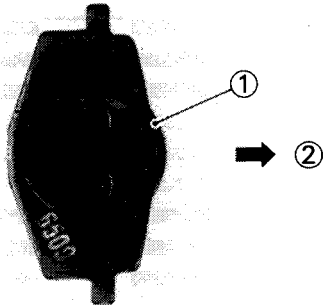
1. Remove:

- Front wheel
- Disc cover (Outer)
- Retaining bolt ①



2. Remove:

- Brake pads ①
Lift the brake caliper.
- Pad spring ②



NOTE: _____

Replace pads as a set if either is found to be worn to the wear limit.



Brake Pad Wear Limit:
0.8 mm (0.032 in)

3. Install:
- Pad springs
 - Pads (New)

NOTE: _____

Be sure to position the pad so that its round side ① is forward ②.

4. Apply:
- Lithium base grease (Lightly) (to retaining bolt)
5. Set the caliper body at the original position.
6. Tighten:
- Retaining bolt



Retaining Bolt:
23 Nm (2.3 m•kg, 17 ft•lb)

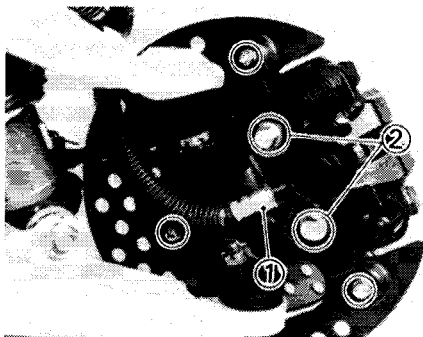
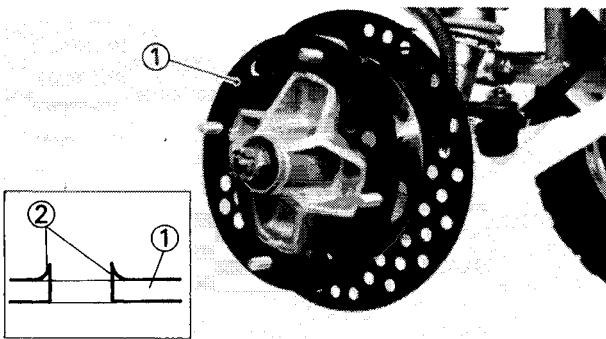
7. Install:
- Disc cover (Outer) ①
 - Front wheel



Nuts (Wheel Panel):
45 Nm (4.5 m•kg, 32 ft•lb)

NOTE: _____

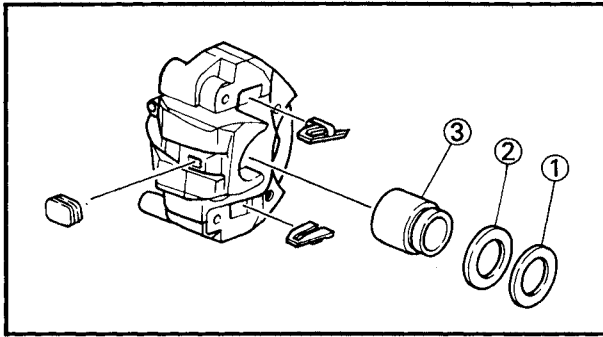
Install the disc cover (Outer) ① with punched burrs ② on the hub side.



CALIPER DISASSEMBLY

Caliper Removal

1. Remove:
- Front wheel
 - Disc cover (Outer)
 - Brake hose ①
 - Caliper securing bolts ②
 - Disc cover (Inner)
 - Brake pads
 - Pad spring



Caliper Disassembly

1. Remove:

- Dust seal ①
- Piston seal ②
- Piston ③

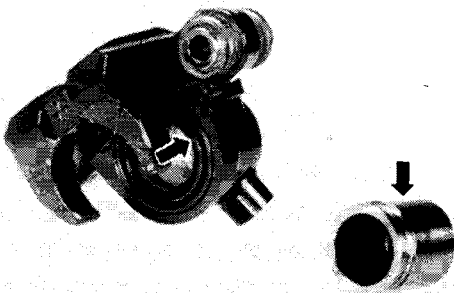
Use compressed air and proceed carefully.

WARNING:

- Cover piston with rag and use extreme caution when expelling piston from cylinder.
- Never attempt to pry out piston.

Caliper piston removal steps:

- Insert the rag into the caliper to lock the piston.
- Blow compressed air into the hose joint opening to force out the piston from the caliper body.



Inspection

1. Inspect:

- Piston
Rust/Wear → Replace.
- Caliper cylinder body
Wear/Scratches → Replace.

Installation


1. Assemble:

- Brake caliper(s)
Reverse disassembly steps.

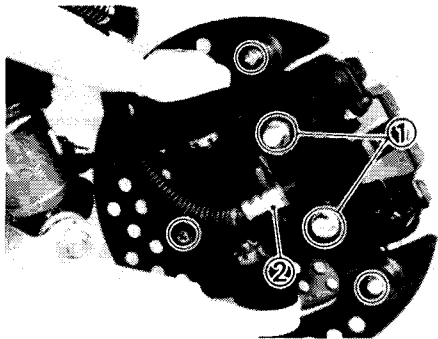
WARNING:

- All internal parts should be cleaned in new brake fluid only.
- If DOT No. 4 is not available, No. 3 can be used.


- Internal parts should be lubricated with brake fluid when installed.

	Brake Fluid: DOT No. 4
---	----------------------------------


- Replace the dust and piston seals whenever a caliper is disassembled.



2. Tighten:
 - Caliper securing bolts ①

	28 Nm (2.8 m•kg, 20 ft•lb)
---	-----------------------------------

- Brake hose union bolts ②

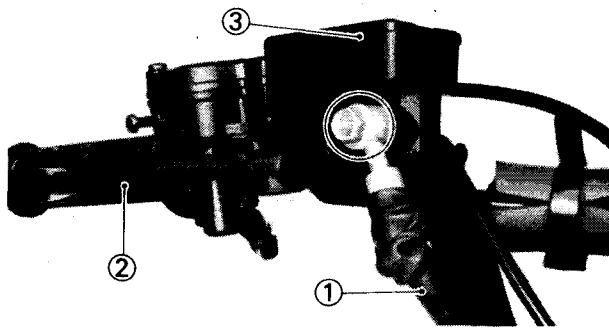
	25 Nm (2.5 m•kg, 18 ft•lb)
---	-----------------------------------

3. Bleed the air completely from the brake system.
Refer to "AIR BLEEDING" section.

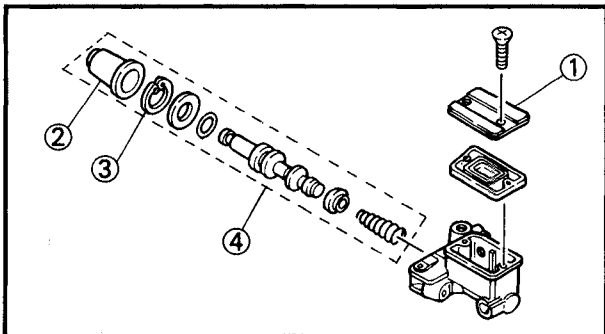
4. Install:
 - Disc cover (Outer)
 - Front wheel
 Refer to "FRONT WHEEL—INSTALLATION" section.

MASTER CYLINDER DISASSEMBLY
Master Cylinder Removal

NOTE: _____
Drain the brake fluid before removing the master cylinder.



1. Remove:
 - Brake hose ①
 - Brake lever ② and spring
 - Master cylinder assembly ③



Master Cylinder Disassembly

1. Remove:
 - Cap ①
 - Master cylinder dust boot ②
 - Circlip ③
 - Master cylinder kit ④

NOTE: _____
Be sure to reinstall the larger diameter lips of the cylinder cups first.



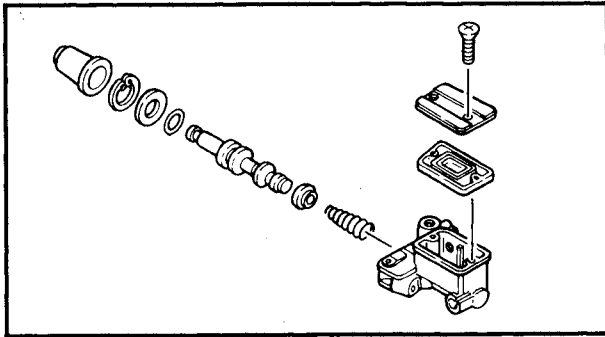
Inspection

1. Inspect:
 - Master cylinder body
Scratches/Wear → Replace.

NOTE:

Clean all passages with new brake fluid.

- Brake hoses
Cracks/Wear/Damage → Replace.
- Master cylinder kit
Scratches/Wear → Replace.



Installation

1. Assemble:
 - Master cylinder
Reverse disassembly steps.

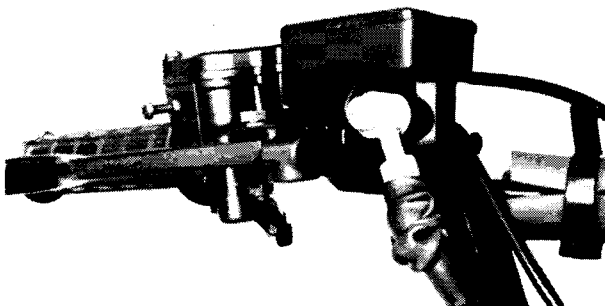
WARNING:

Internal parts should be lubricated with brake fluid when installed.

2. Install:
 - Master cylinder
 - Brake hose (With copper washers)
 - Brake lever

NOTE:

Grease the pivot point.



Master Cylinder:

10 Nm (1.0 m•kg, 7.2 ft•lb)

Brake Hose:

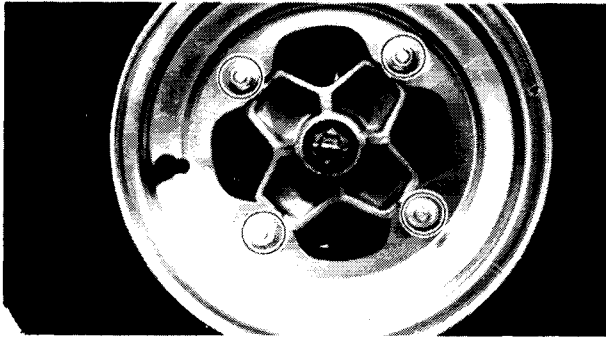
25 Nm (2.5 m•kg, 18 ft•lb)



4. Bleed the air completely from the brake system.
5. Tighten:
 - Master cylinder cap

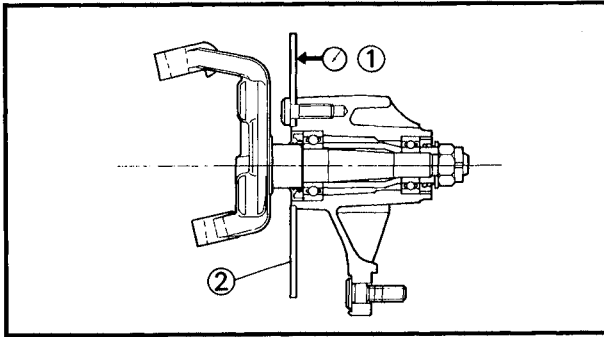


Master Cylinder Cap:
2 Nm (0.2 m•kg, 1.4 ft•lb)



BRAKE DISC

1. Remove:
 - Front wheel
 - Disc cover (Outer)
2. Inspect:
 - Brake disc ②
 Wear/Deflection out of specification → Replace.



Maximum Deflection:
0.15 mm (0.006 in)
Minimum Disc Thickness:
3.0 mm (0.12 in)

① Dial gauge

3. Install:
 - Disc cover (Outer)
 - Front wheel
 Refer to "FRONT WHEEL—INSTALLATION" section.

**AIR BLEEDING****WARNING:**

Bleed the brake system if:

- The system has been disassembled.
- A brake hose has been loosened or removed.
- The brake fluid is very low.
- The brake operation is faulty.

A dangerous loss of braking performance may occur if the brake system is not properly bled.

**Air bleeding steps:**

- Add proper brake fluid to the reservoir.
- Install diaphragm.
Be careful not to spill any fluid or allow the reservoir to overflow.
- Connect the clear plastic tube (4.5 mm, 3/16 in inside dia.) tightly to the caliper bleed screw ①.
- Place the other end of the tube into a container.
- Slowly apply the brake lever several times. (*)
- Pull the lever in. Hold the lever in position.
- Loosen the bleed screw and allow the lever to travel towards its limit.
- Tighten the bleed screw when the lever limit has been reached; then release the lever. (**)
- Repeat steps (*) to (**) until all of the air bubbles have been removed from the system.

NOTE:

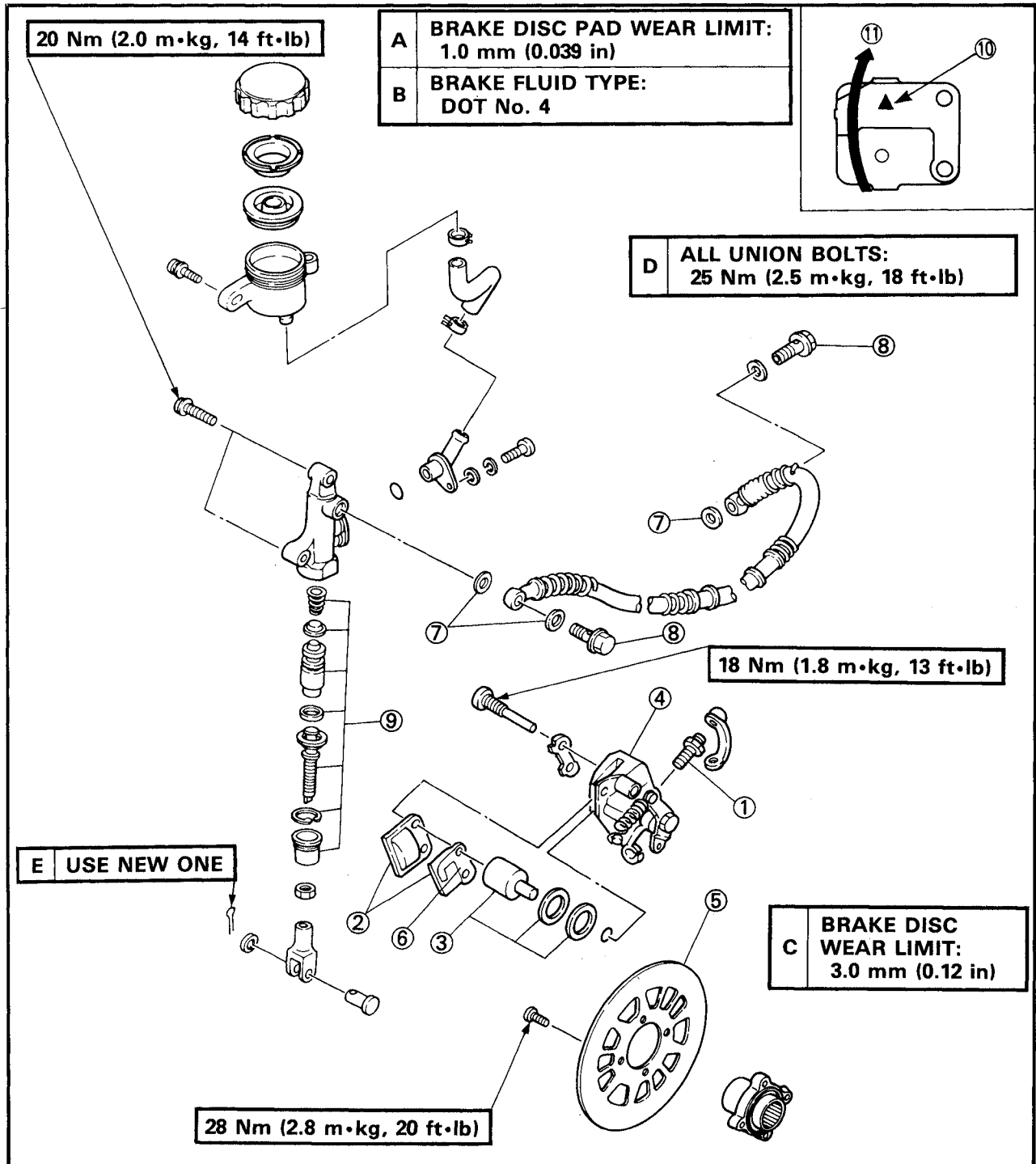
If bleeding is difficult, it may be necessary to let the brake fluid system stabilize for a few hours. Repeat the bleeding procedure when the tiny bubbles in system have disappeared.

REAR BRAKE

- ① Bleed screw
- ② Brake pad
- ③ Caliper piston assembly
- ④ Brake caliper
- ⑤ Brake disc
- ⑥ Shim
- ⑦ Copper washer
- ⑧ Union bolt
- ⑨ Master cylinder kit

NOTE:

Be sure to position the shim so that its arrow mark ⑩ points in the direction of the disc plate rotation ⑪.



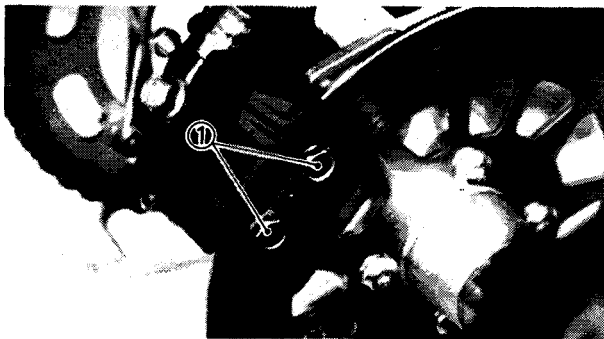
**CAUTION:**

Disc brake components rarely require disassembly. **DO NOT:**

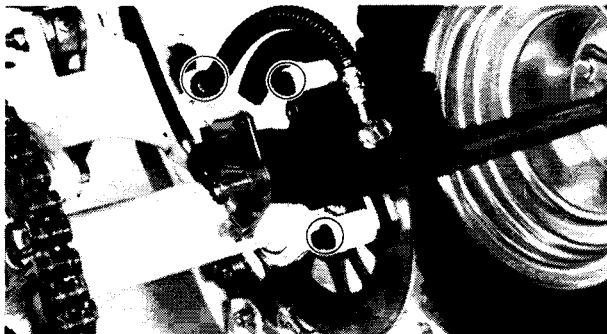
- Disassembly components unless absolutely necessary.
- Use solvents on internal brake component.
- Use contaminated brake fluid for cleaning. Use only clean brake fluid.
- Allow brake fluid to come in contact with the eyes otherwise eye injury may occur.
- Allow brake fluid to contact painted surfaces or plastic parts otherwise damage may occur.
- Disconnect any hydraulic connection otherwise the entire system must be disassembled, drained, cleaned, and then properly filled and bled after reassembly.

NOTE:

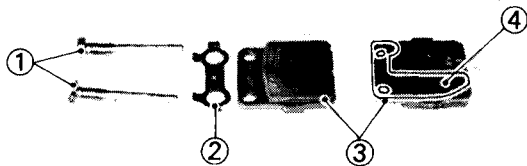
Drain the brake fluid before removing brake hose.

**BRAKE PAD REPLACEMENT****1. Loosen:**

- Pad retaining bolts ①

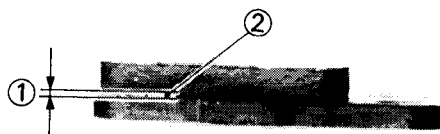
**2. Remove:**


- Brake caliper



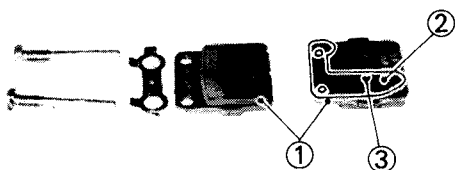
3. Remove:
 - Pad retaining bolts ①
 - Lock washer ②
 - Pad ③
 - Shim ④
 - Pad spring

4. Inspect:
 - Brake pad
 - Over wear limit ① → Replace as a set.



 **Brake Pad Wear Limit:**
1.0 mm (0.0394 in)

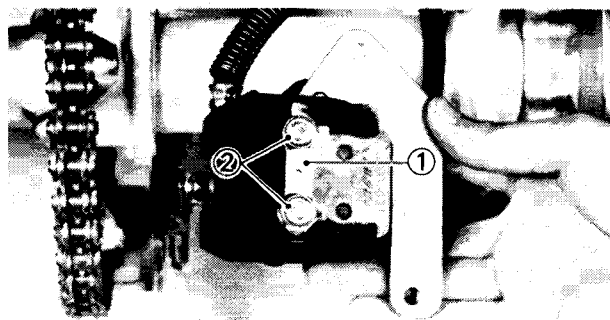
② Wear indicator



5. Install:
 - Pad spring
 - Pads (New) ①
 - Shim ②


NOTE: _____

- Be sure to position the shim so that its arrow mark ③ points in the direction of the disc plate rotation.
- Replace pads as a set if either is found to be worn to the wear limit.




6. Install:
 - Lock washer (New) ①
 - Pad retaining bolts ②

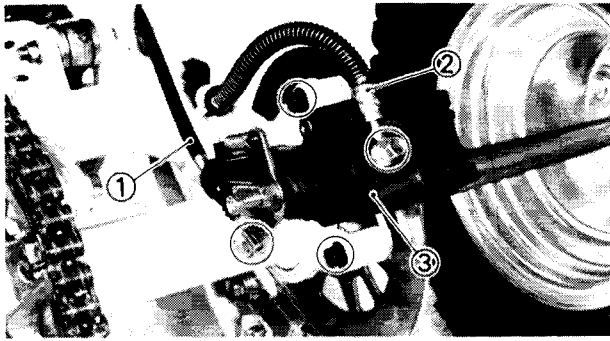
7. Install:
 - Brake caliper

 **Brake Caliper Bolts:**
23 Nm (2.3 m•kg, 17 ft•lb)

8. Tighten:
 - Pad retaining bolts

 **Pad Retaining Bolts:**
18 Nm (1.8 m•kg, 13 ft•lb)

9. Bend the lock washer tabs along the bolt flats.



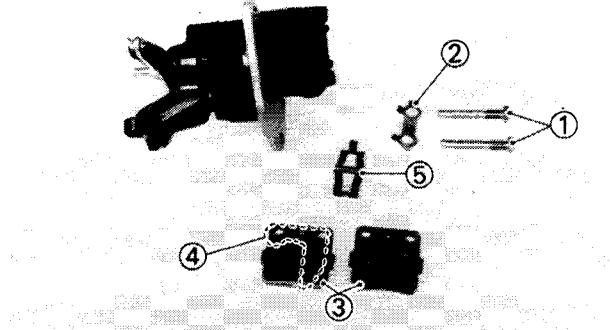
CALIPER DISASSEMBLY

Caliper Removal

NOTE:

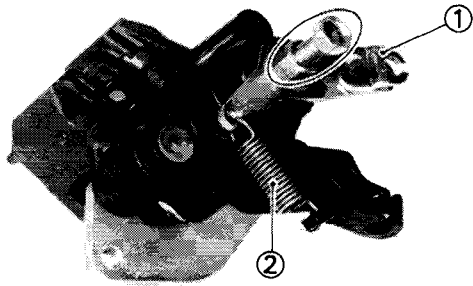
Drain the brake fluid before removing the caliper.

1. Disconnect:
 - Parking brake cable ①
 - Brake hose ②
2. Remove:
 - Brake caliper ③

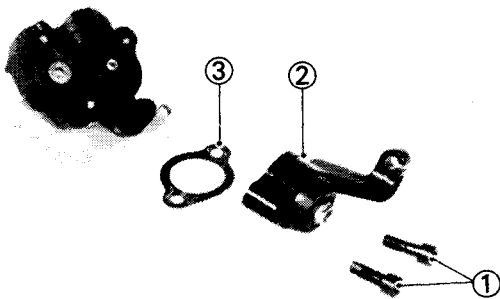


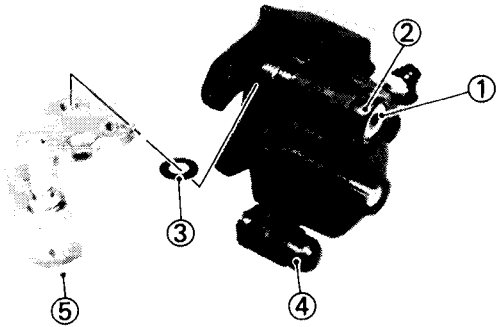
Disassembly

1. Remove:
 - Pad retaining bolts ①
 - Lock washer ②
 - Pad ③
 - Shim ④
 - Pad spring ⑤
2. Remove:
 - Parking brake lever ①
 - Spring ②

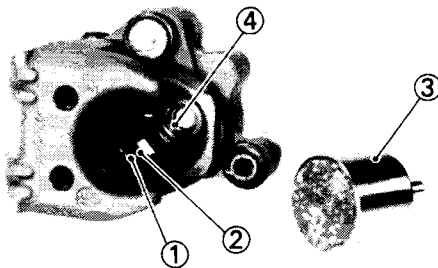


3. Remove:
 - Bolts ①
 - Parking brake case assembly ②
 - Gasket ③





4. Remove:
- Caliper bracket bolt ①
 - Cover ②
 - Washer ③
 - Cover ④
 - Bracket ⑤



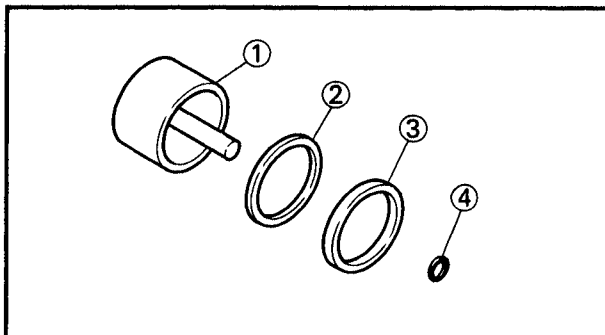
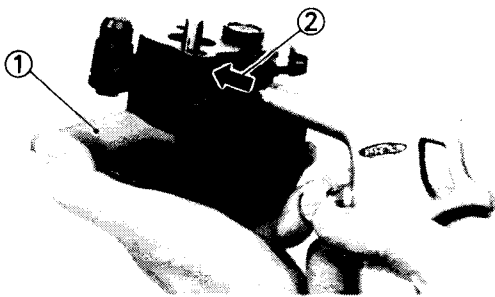
5. Remove:
- Dust seal ①
 - Piston seal ②
 - Piston ③
 - O-ring ④
- Use compressed air and proceed carefully.

WARNING:

- Cover piston with rag and use extreme caution when expelling piston from cylinder.
- Never attempt to pry out piston.

Caliper piston removal steps:

- Insert the rag ① into the caliper to lock the piston.
- Blow compressed air ② into the hose joint opening to force out the piston from the caliper body.



Inspection

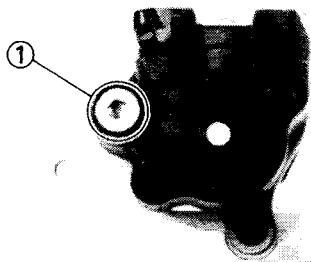
1. Inspect:
- Caliper piston ①
 - Dust seal ②
 - Piston seal ③
 - O-ring ④
- Damage/Scratches → Replace as a set.




Installation

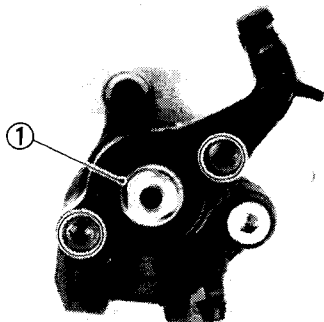
Refer to front brake assembly except for following items.


1. Tighten:
 - Bolt (Caliper bracket) ①



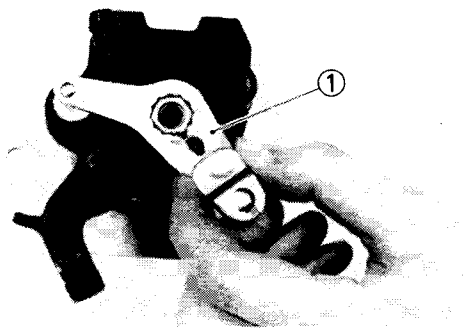
	<p>Bolt (Caliper Bracket): 23 Nm (2.3 m•kg, 17 ft•lb)</p>
---	--

2. Tighten:
 - Parking brake case ①




	<p>Parking Brake Case Bolt: 28 Nm (2.8 m•kg, 20 ft•lb) LOCTITE®</p>
---	--

3. Install:
 - Parking brake lever ①

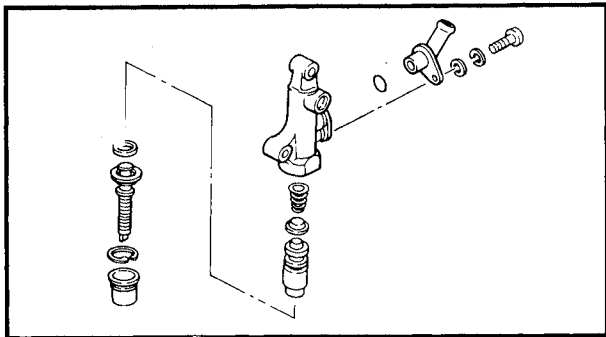
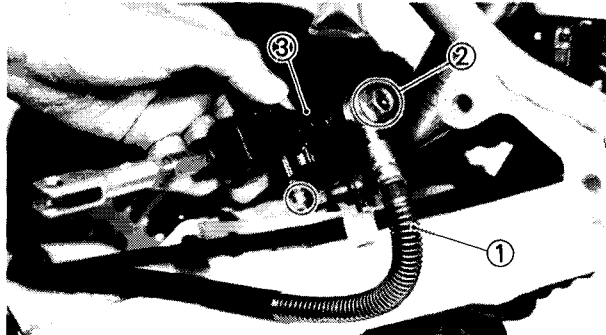
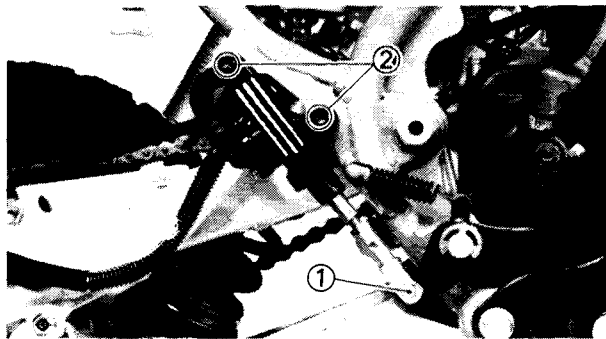


4. Tighten:

	<p>Pad Retaining Bolt: 18 Nm (1.8 m•kg, 13 ft•lb)</p> <p>Brake Caliper Bolt: 23 Nm (2.3 m•kg, 17 ft•lb)</p> <p>Brake Union Bolt: 25 Nm (2.5 m•kg, 18 ft•lb)</p>
---	--

5. Adjust:
 - Parking brake

Refer to "CHAPTER 2— PARKING BRAKE ADJUSTMENT" section.



MASTER CYLINDER DISASSEMBLY

Master Cylinder Removal

NOTE:

Drain the brake fluid before removing the master cylinder.

1. Remove:

- Cotter pin
- Washer
- Pivot pin ①
- Bolts ②

2. Remove:

- Brake hose ①
- Union bolt ②
- Washer
- Master cylinder assembly ③

Master Cylinder Disassembly

1. Remove:

- Master cylinder kit
From master cylinder body.

Inspection

1. Inspect:

- Master cylinder body
Scratches/Wear → Replace.

NOTE:

Clean all passages with new brake fluid.

- Brake hoses
Cracks/Wear/Damage → Replace.
- Master cylinder kit
Scratches/Wear → Replace.



Installation

1. Assemble:

- Master cylinder

Reverse disassembly steps.

WARNING:

Internal parts should be lubricated with brake fluid when installed.

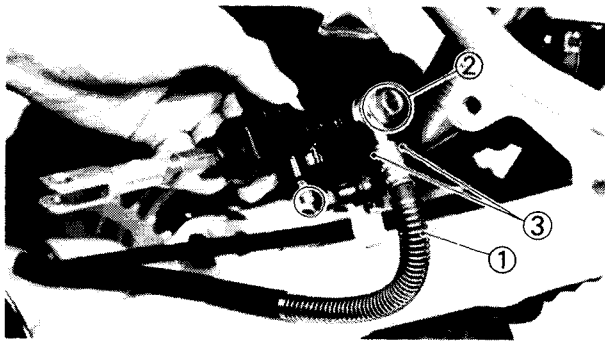
2. Install:

- Master cylinder



Master Cylinder Bolt:

20 Nm (2.0 m•kg, 14 ft•lb)



3. Install:

- Brake hose ①

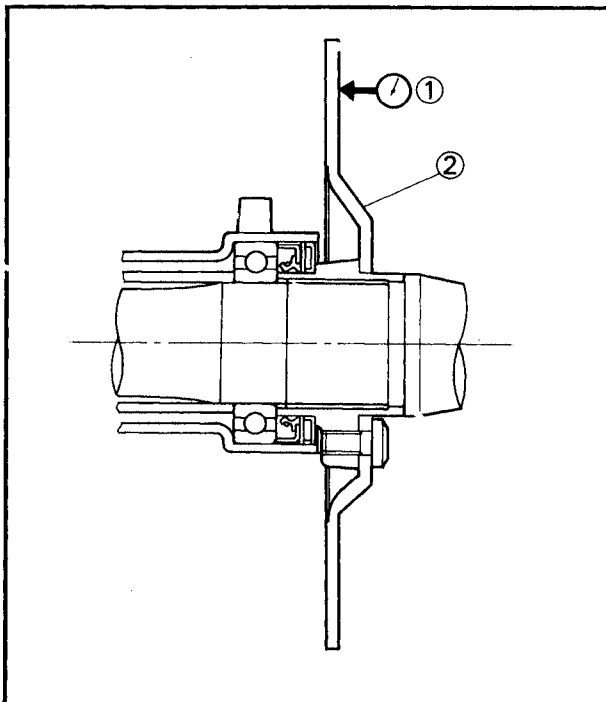


Union Bolt ②:

25 Nm (2.5 m•kg, 18 ft•lb)

CAUTION:

Be sure the brake hose should be installed between bosses ③.



BRAKE DISC

1. Inspect:

- Brake disc ②

Wear/Deflection out of specification → Replace.



Maximum Deflection:

0.15 mm (0.006 in)

Minimum Disc Thickness:

3.0 mm (0.12 in)

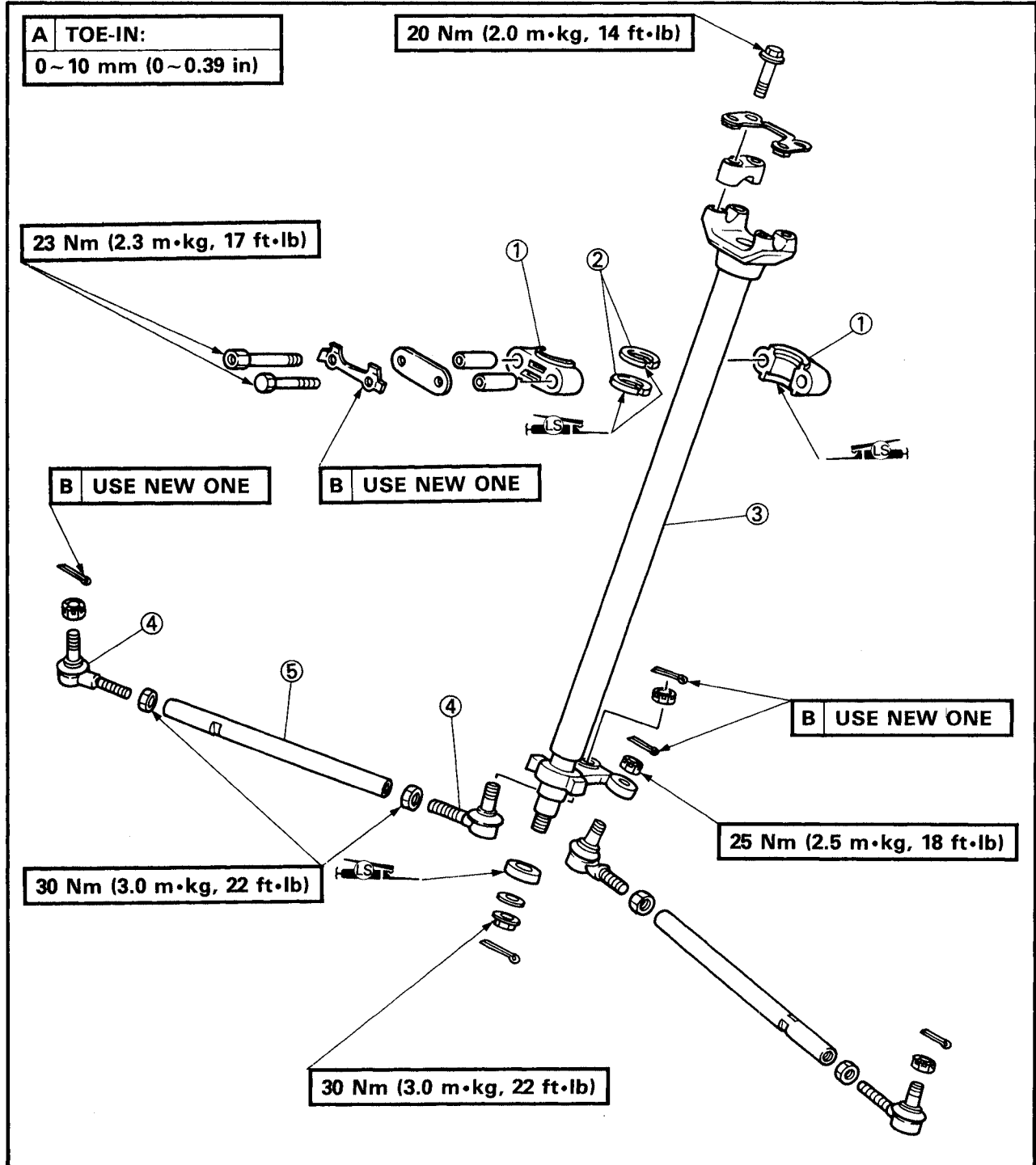
① Dial gauge

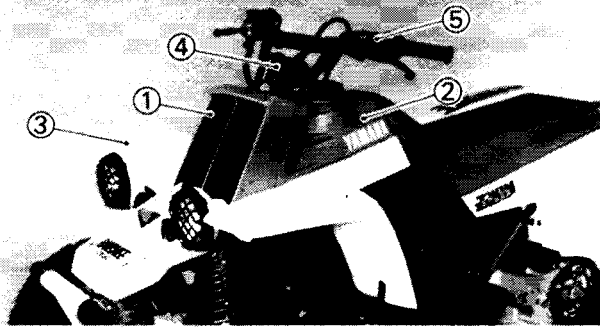
AIR BLEEDING

Refer to "FRONT BRAKE – AIR BLEEDING" section.

STEERING SYSTEM

- ① Steering shaft bearing
- ② Oil seal
- ③ Steering shaft
- ④ Tie-rod end
- ⑤ Tie-rod

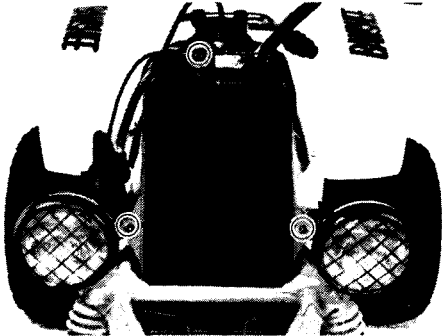




REMOVAL

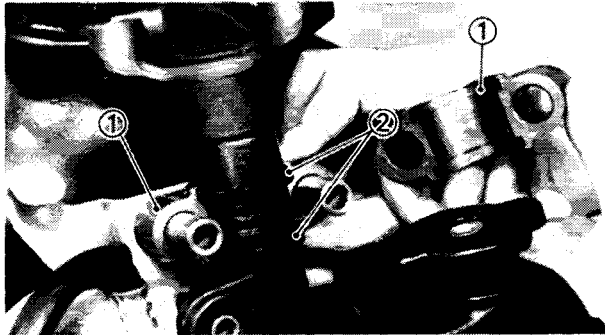
1. Remove:

- Radiator cover ①
- Fuel tank cover ②
- Front fender ③
- Handlebar cover ④
- Handlebar ⑤



2. Remove:

- Bolts (Radiator)

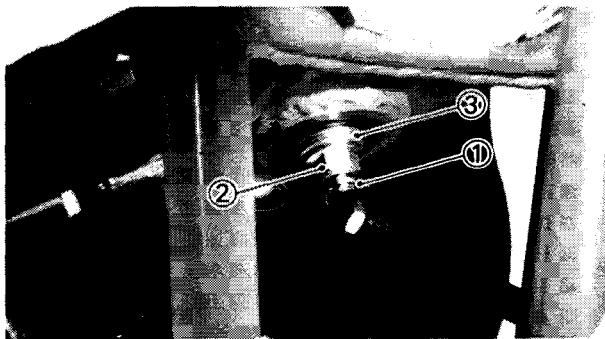


3. Straighten:

- Lock washer tabs

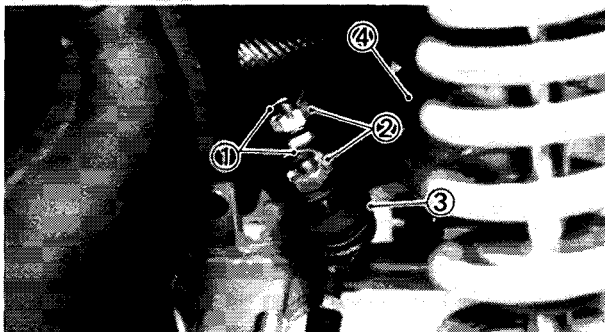
4. Remove:

- Steering shaft bushings ①
- Oil seals ②



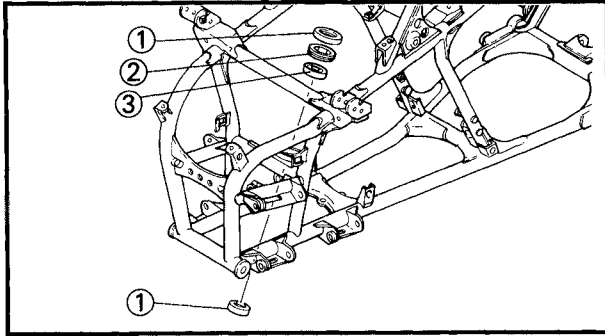
5. Remove:

- Cotter pin ①
- Nut (Steering shaft) ②
- Plain washer ③



6. Remove:

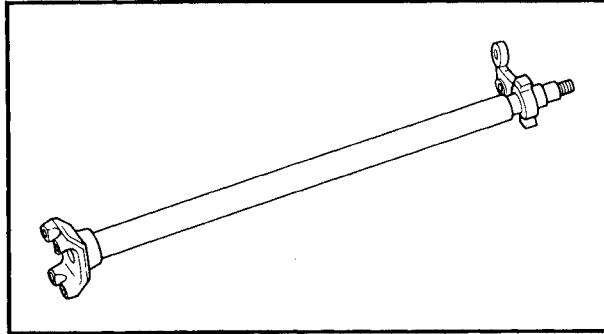
- Cotter pins ①
- Nuts (Tie-rod end) ②
- Tie-rod ends ③
- Steering shaft ④



7. Remove:

- Oil seals ①
- Bearing holder ②
- Bearing ③

Use the Damper Rod Holder (YM-01327).



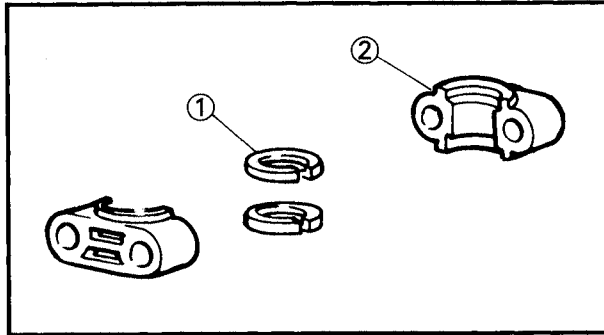
INSPECTION

1. Inspect:

- Steering shaft
- Bends → Replace.

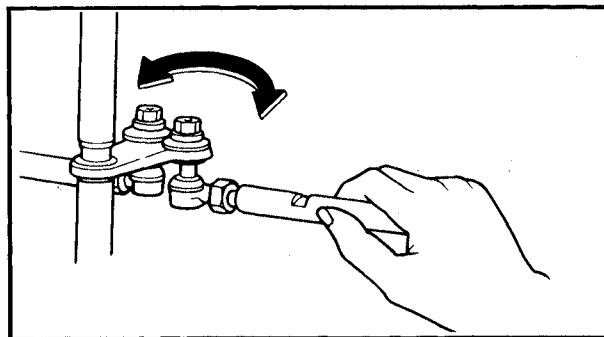
WARNING:

Do not attempt to straighten a bent shaft; this may dangerously weaken the shaft.



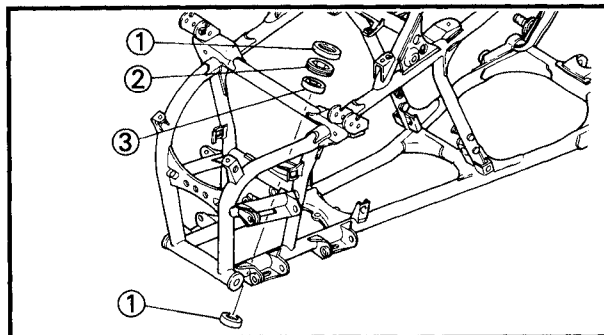
2. Inspect:

- Oil seals ①
 - Steering shaft bushings ②
- Wear/Damage → Replace.



3. Check:

- Steering shaft free play
- Steering shaft is loose → Replace bushings and O-rings.
- Insert the steering shaft into the frame, and check for free play.



INSTALLATION

When installing the steering system, reverse the removal procedure. Note the following points.

1. Install:

- Bearing ③
- Bearing holder ②
- Oil seals ①

To the frame.

Use the Damper Rod Holder (YM-01327).



NOTE: _____

Apply lithium soap base grease to the bearing and oil seals.



Bearing Holder:
40 Nm (4.0 m•kg, 29 ft•lb)

2. Install:
 - Steering shaft

WARNING: _____

Make sure the brake hoses and pipes are properly routed, and are not damaged or twisted.

3. Tighten:
 - Nuts (Tie-rod end)
 - Nut (Steering shaft)



Nuts (Tie-rod End):
25 Nm (2.5 m•kg, 18 ft•lb)
Nut (Steering Shaft):
30 Nm (3.0 m•kg, 22 ft•lb)

4. Install:
 - Cotter pins (New)

WARNING: _____

Always use a new cotter pin.

5. Install:
 - Oil seals ①
 - Steering shaft bushings ②

NOTE: _____

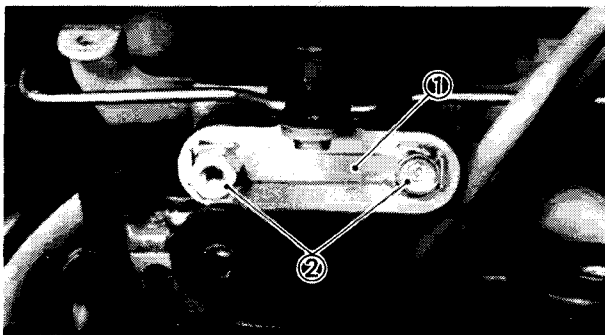
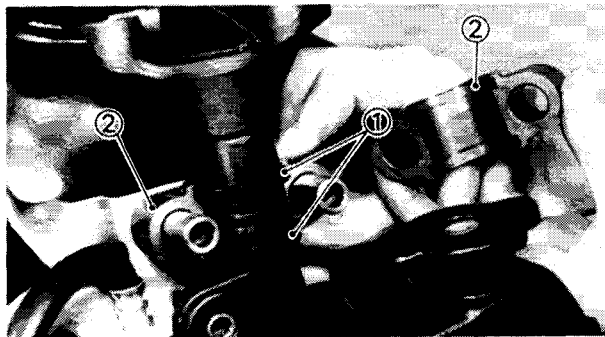
- Lightly apply lithium soap base grease to the oil seals.
- Be careful not to damage the oil seals during installation.

6. Install:
 - Lock washer (New) ①
 - Bolts (Steering shaft bracket) ②



Bolts (Steering Shaft Bracket):
23 Nm (2.3 m•kg, 17 ft•lb)

7. Bend the lock washer tab along the bolt flats.



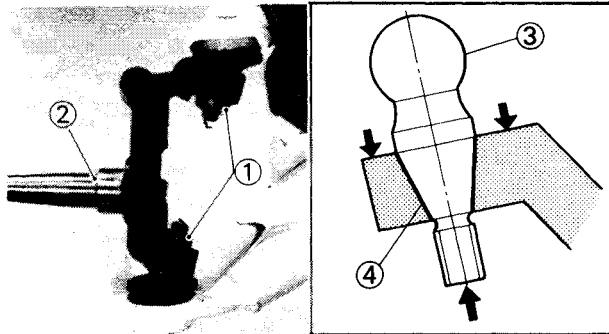
STEERING KNUCKLES AND TIE-ROD ENDS

REMOVAL

1. Remove:

- Front wheels
- Front hubs

Refer to "FRONT WHEEL — REMOVAL" section.

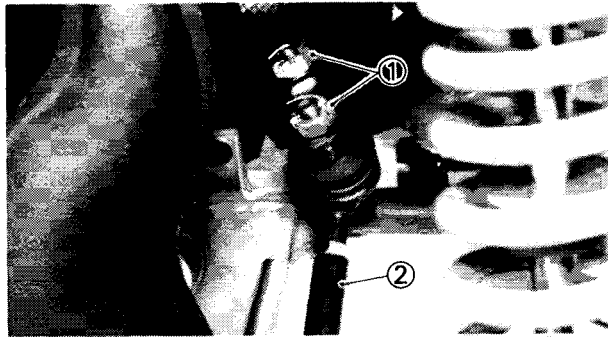


2. Remove:

- Cotter pins
- Nut (Tie-rod end)
- Bolts (Knuckle arm)
- Nuts (Steering knuckle) ①
- Steering knuckle ②

NOTE:

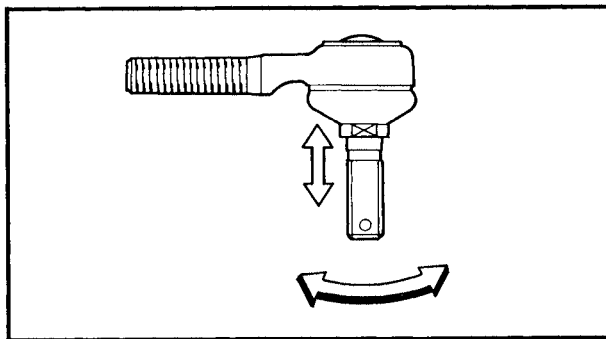
Use the General Puller to separate ball joint ③ and steering knuckle.



④ Taper fitting

3. Remove:

- Cotter pin
- Nut (Tie-rod end) ①
- Tie-rod ②



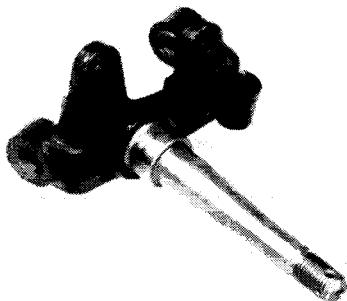
INSPECTION

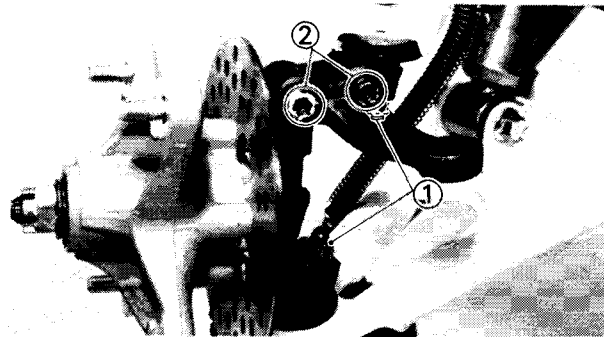
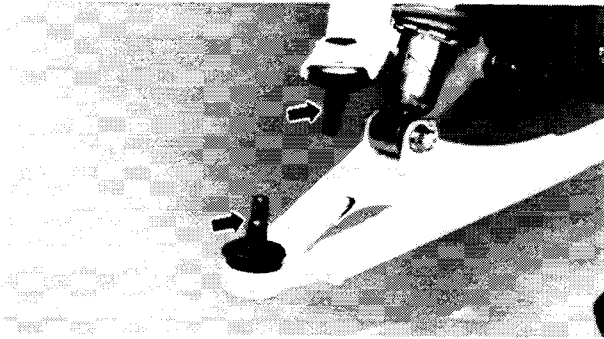
1. Check:

- Tie-rod free play and movement
Tie-rod is exists free play → Replace tie-rod end.
Tie-rod turns roughly → Replace tie-rod end.

2. Inspect:

- Steering knuckle
Damage/Pitting → Replace.





3. Inspect:

- Ball joints
Damage/Pitting → Replace front arm.
Ball joint is exists free play → Replace front arm.
Ball joint turns roughly → Replace front arm.

INSTALLATION

When installing the tie-rod, reverse the removal procedure. Note the following points.

1. Tighten:

- Nuts (Steering knuckle) ①
- Bolts (Knuckle arm) ②



Nuts (Steering Knuckle):
25 Nm (2.5 m•kg, 18 ft•lb)
Bolts (Knuckle Arm):
38 Nm (3.8 m•kg, 27 ft•lb)

CAUTION:

Avoid over-tightening.

2. Install:

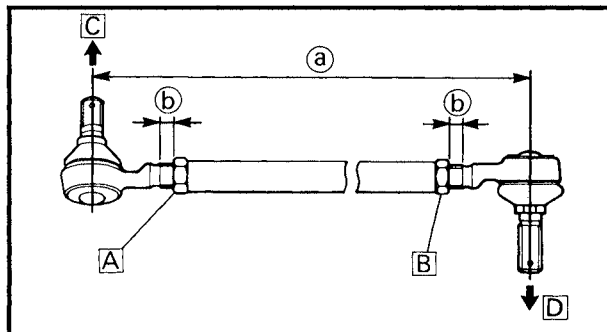
- Cotter pins

WARNING:

Always use a new cotter pin.

3. Adjust:

- Tie-rod assembly length



Tie-rod assembly length adjustment steps:

- Loosen the locknuts.
- Adjust tie-rod assembly length ① by turning both tie-rod ends.



Tie-rod Assembly Length ①:
361 mm (14.2 in)

- A** Right-hand-threads
- B** Left-hand-threads
- C** To steering shaft
- D** To knuckle

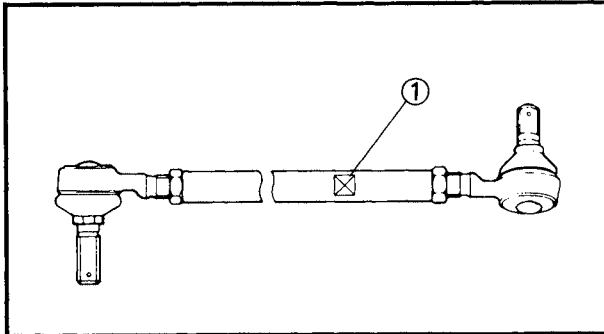
**NOTE:** _____

The threads (b) on both tie-rod ends must be of the same length.

- Tighten the locknuts.



Locknut (Tie-rod):
30 Nm (3.0 m•kg, 22 ft•lb)



4. Install:

- Tie-rods (Left and right)

NOTE: _____

Be sure to position the tie-rod so that its white painted mark (1) is right-hand rod.

5. Tighten:

- Nuts (Tie-rod end)



Nuts (Tie-rod End):
25 Nm (2.5 m•kg, 18 ft•lb)

6. Install:

- Cotter pins

WARNING: _____

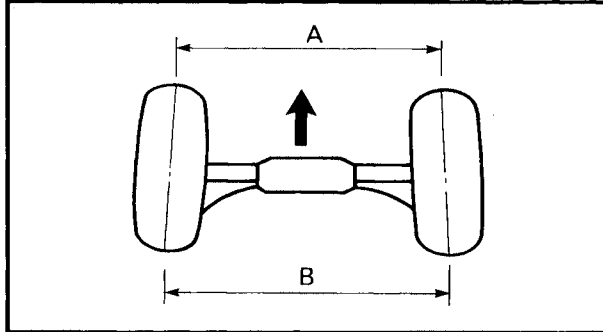
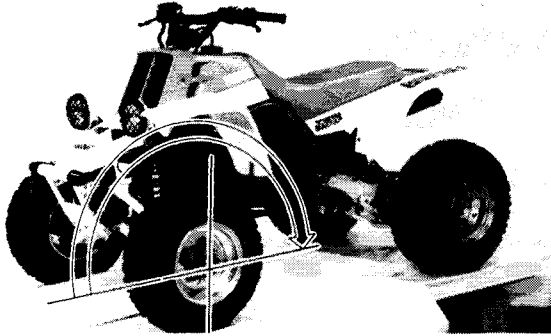
Always use a new cotter pin.

ADJUSTMENT**Toe-in Adjustment**

1. Place the machine on a level place.
2. Measure:
 - Toe-in

Toe-in measurement steps:

- Mark both front tire tread centers.



- Measure the width **A** between the marks.
- Move the front tires 180 degrees either forward or backward until the marks come exactly opposite.
- Measure the width **B** between the marks.
- Calculate the toe-in using the formula given below.

$$\text{Toe-in} = \mathbf{B} - \mathbf{A}$$



Toe-in:

0 ~ 10 mm (0 ~ 0.39 in)

- If the toe-in is incorrect, adjust the toe-in.

3. Adjust:

- Toe-in

Refer to "Tie-rod assembly length adjustment steps" section.

WARNING:

- Be sure that both tie-rod are turned by the same amount. If not, the machine will go right or left even though the handlebar is positioned straight and it may lead to mis-handling and accident.
- After setting the toe-in to specification, run the machine slowly for some distance with the hands lightly on the handlebar and check that the handlebar responds correctly. If not, turn either the right or left tie-rod within the toe-in specification.

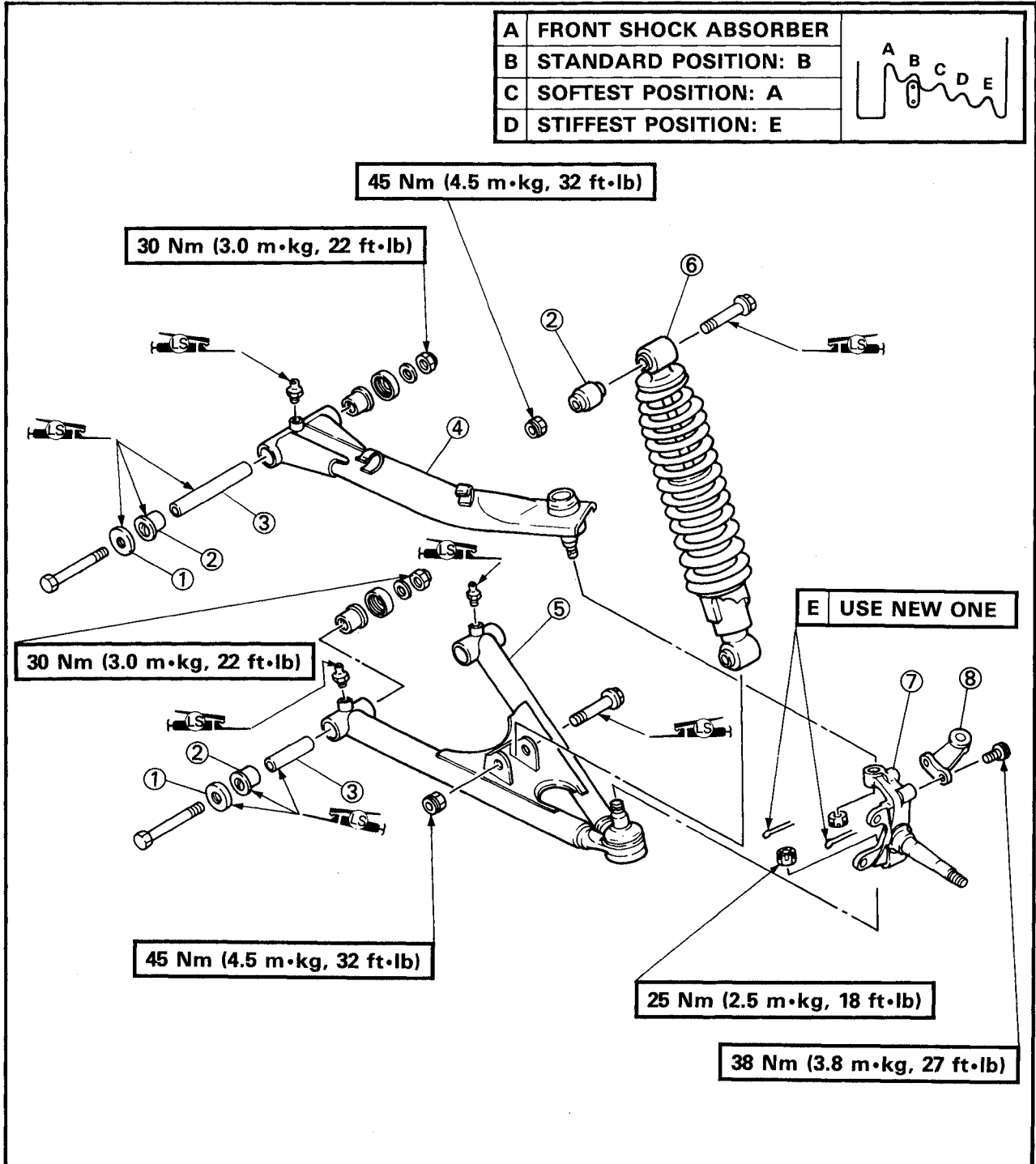
4. Measure:

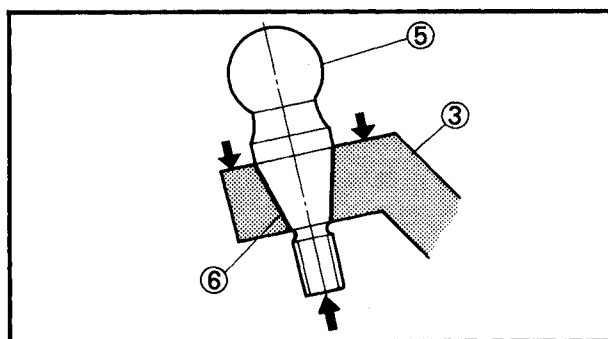
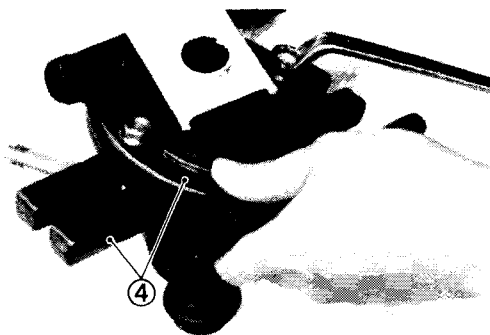
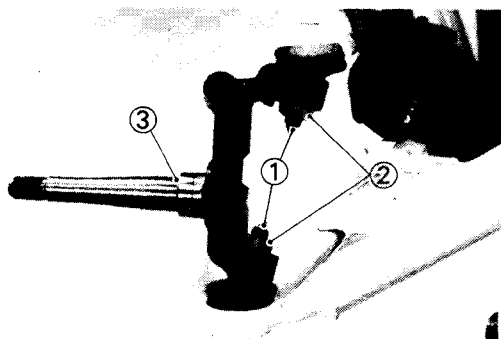
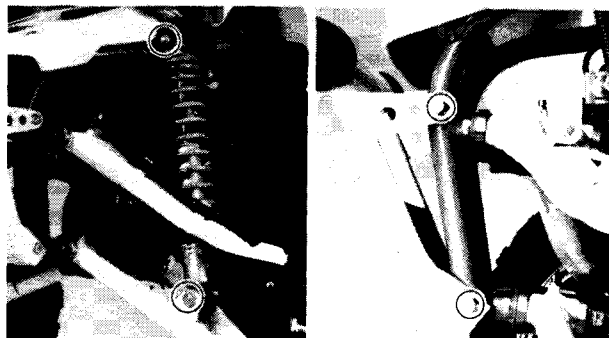
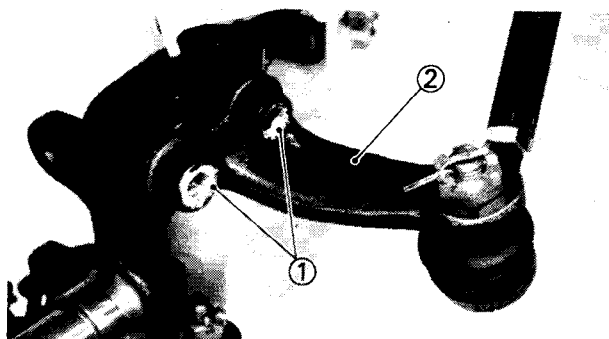
- Toe-in

Refer to "Toe-in Adjustment" section.

FRONT SHOCK ABSORBER AND FRONT ARMS

- ① Thrust cover
- ② Bushing
- ③ Collar
- ④ Front arm (upper)
- ⑤ Front arm (lower)
- ⑥ Front shock absorber
- ⑦ Steering knuckle
- ⑧ Knuckle arm





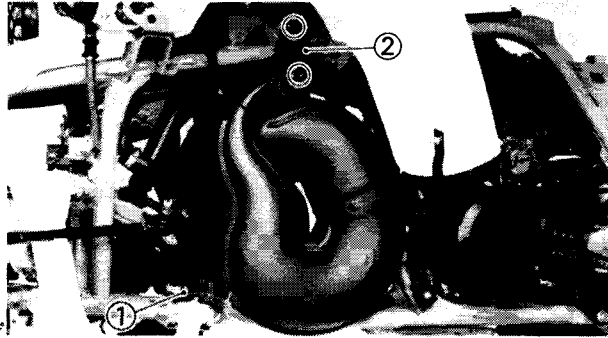
REMOVAL

1. Remove:
 - Seat
 - Rear fender
 - Wheel hub
 Refer to "FRONT WHEEL — REMOVAL" section.
2. Remove:
 - Bolt (Knuckle arm) ①
 - Knuckle arm ②
3. Remove:
 - Front shock absorber
 - Front bumper

4. Remove:
 - Cotter pins ①
 - Nuts (Steering knuckle) ②
 - Steering knuckle ③

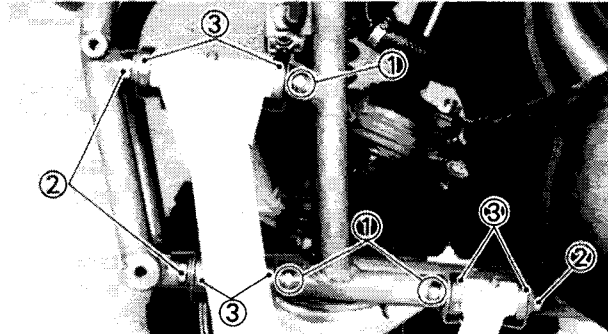
NOTE: _____
 Use the General Puller ④ to separate ball joint ⑤ and steering knuckle.

⑥ Taper fitting



5. Remove:

- Silencer
- Spring ①
- Stay (Exhaust pipe) ②



6. Remove:

- Nuts (Front arm) ①
- Bolts (Front arm) ②
- Thrust cover ③
- Collars
- Bushings

NOTE:

Remove the bolt ② while pulling the exhaust pipe toward you.

FREE PLAY INSPECTION

1. Remove:

- Front wheels
- Front brake calipers
- Front hubs
- Tie-rods
- Steering knuckles
- Front shock absorbers

Refer to "REMOVAL" section.

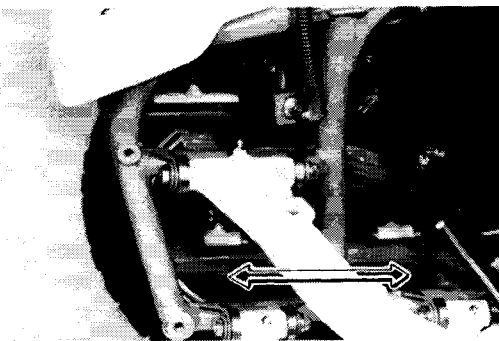
2. Check:

- Front arms (Side play)

Side play → Replace spacer and bushings as a set.

Move the front arms from side to side.

There should be no noticeable side play.

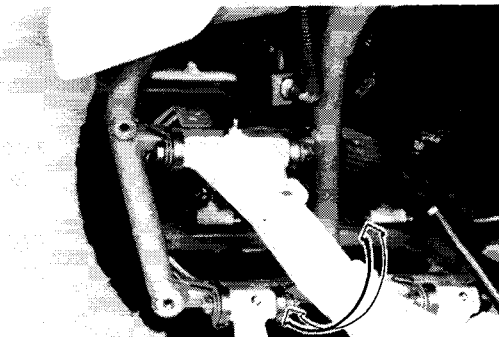


3. Check:

- Front arms (Vertical movement)

Tightness/Binding/Rough spots → Replace spacer and bushings as a set.

Move the front arms up and down.

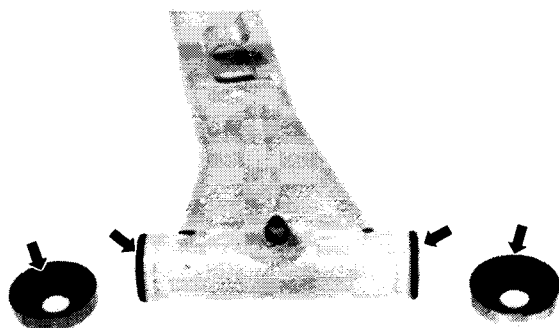


INSPECTION

Front Shock Absorber Inspection

1. Inspect:

- Shock absorber rod
Bends/Damage → Replace the shock absorber assembly.
- Shock absorber assembly
Oil leaks → Replace the shock absorber assembly.
- Spring
Fatigue → Replace the shock absorber assembly.
Move the spring up and down.



Front Arms Inspection

1. Check:

- Spacer free play
Spacer is loose → Replace spacer and bushings as a set.
Insert the spacer into the front arm, and check for free play.

2. Inspect:

- Thrust covers
- Bushings
Wear/Damage → Replace as a set.

INSTALLATION

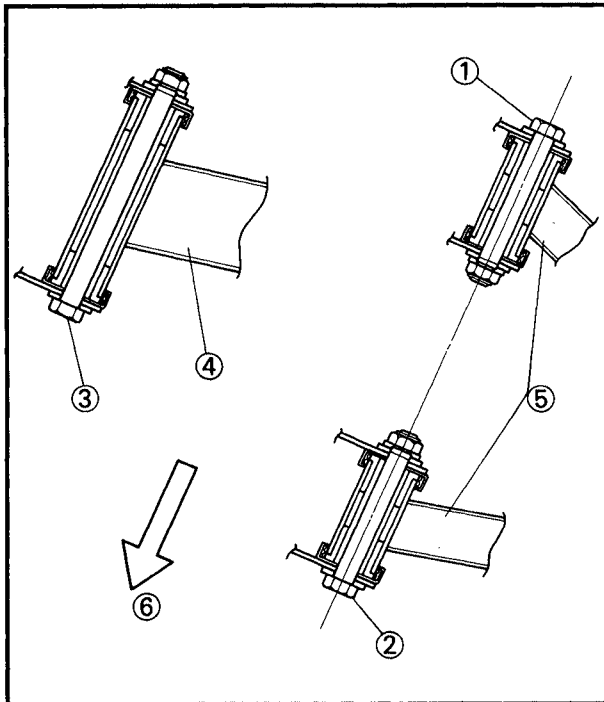
When installing the front arms and shock absorber, reverse the removal procedure. Note the following points.

1. Apply:

- Lithium base grease
- Lightly grease to the front arms, spacers, bushings and thrust covers.

2. Install:

- Front arms

**NOTE:**

Be sure to position the bolts (upper and lower) ①, ②, ③ so that the bolt head face outward.

- ④ Front arm (Upper)
- ⑤ Front arm (Lower)
- ⑥ Forward

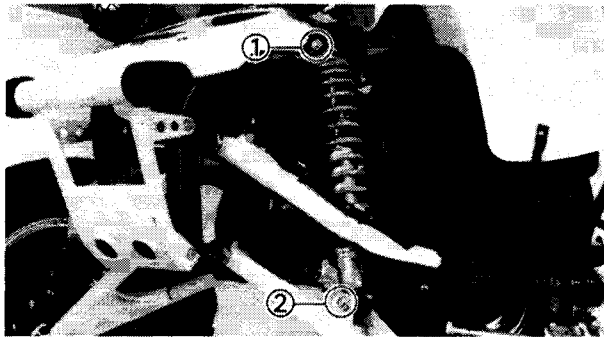
3. Tighten:

- Nuts (Front arm)



Nuts (Front Arm):

30 Nm (3.0 m•kg, 22 ft•lb)



4. Apply:

- Lithium base grease
- Lightly grease to the bushings and bolts.

5. Install:

- Front shock absorber

NOTE:

Be sure to position the bolts (Upper and lower) ①, ② so that the bolt head face backward.

6. Adjust:

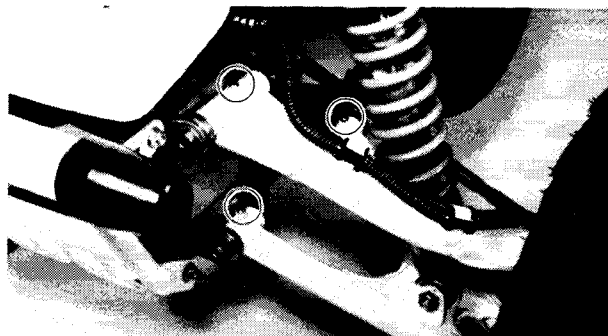
- Front shock absorber
- Refer to "CHAPTER 2. FRONT AND REAR SHOCK ABSORBER ADJUSTMENT" section.

7. Install:

- Steering knuckles
- Tie-rods
- Refer to "STEERING KNUCKLE AND TIE-ROD ENDS — INSTALLATION" section.

8. Install:

- Front hubs
- Front brake caliper
- Front wheels
- Refer to "FRONT WHEEL — INSTALLATION" section.

**WARNING:**

Make sure the brake hoses are properly routed, and are not damaged or twisted.

9. Lubricate:

- Pivot points (Front arms)
- Use a grease gun.

**Lithium Base Grease****10. Install:**

- Stay (Exhaust pipe)
- Silencer
- Spring
- Rear fender
- Seat

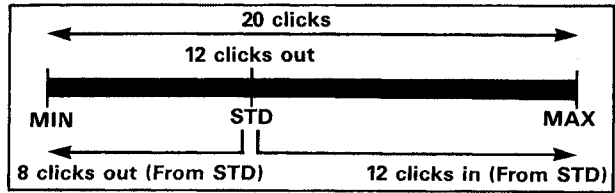
**Stay (Exhaust Pipe):****25 Nm (2.5 m•kg, 18 ft•lb)****Silencer:****35 Nm (3.5 m•kg, 25 ft•lb)**

REAR SHOCK ABSORBER AND SWINGARMS

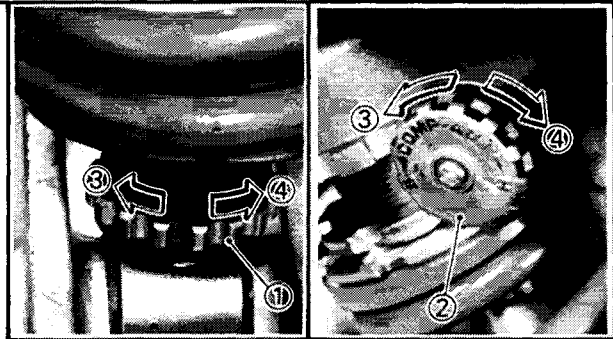
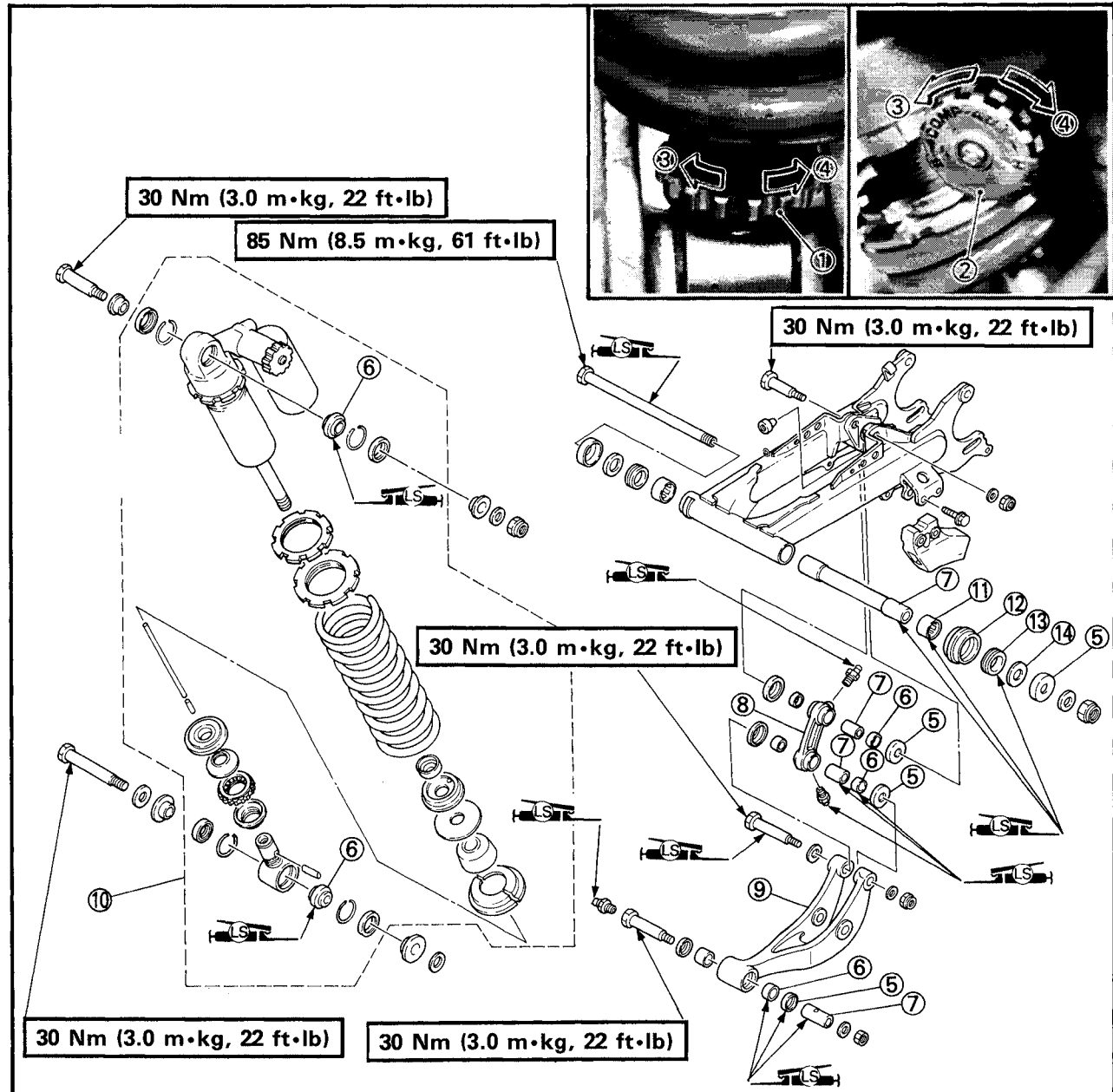
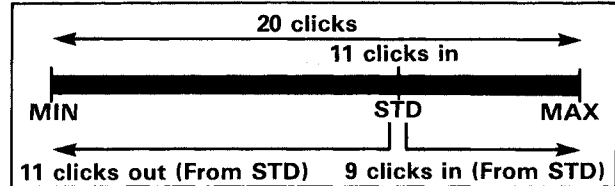
- ① Damping adjuster (Rebound)
- ② Damping adjuster (Compression)
- ③ Soft
- ④ Hard
- ⑤ Thrust cover
- ⑥ Bushing
- ⑦ Collar
- ⑧ Connecting rod
- ⑨ Relay arm
- ⑩ Rear shock absorber assembly
- ⑪ Bearing
- ⑫ Chain guide
- ⑬ Oil seal
- ⑭ Plane washer

SPRING PRELOAD: (INSTALLED LENGTH)	
STANDARD LENGTH	218.5 mm (8.6 in)
MINIMUM LENGTH	210.5 mm (8.3 in)
MAXIMUM LENGTH	225.5 mm (8.8 in)

REBOUND DAMPING



COMPRESSION DAMPING

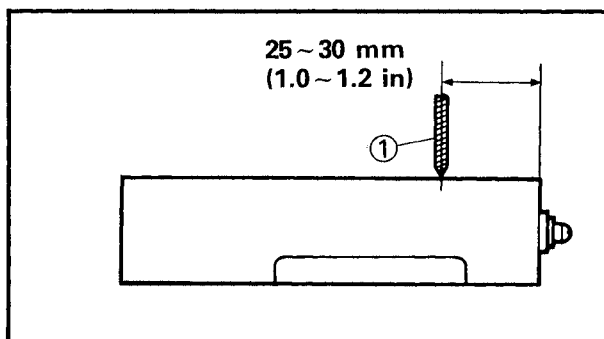


HANDLING NOTES

WARNING:

This shock absorber contains highly compressed nitrogen gas. Read and understand the following information before handling the shock absorber. The manufacturer cannot be held responsible for property damage or personal injury that may result from improper handling.

- Do not tamper or attempt to open the cylinder assembly.
- Do not subject shock absorber to an open flame or other high heat. This may cause the unit to explode due to excessive gas pressure.
- Do not deform or damage the cylinder in any way. Cylinder damage will result in poor damping performance.
- Take care not to scratch the contact surface of the piston rod with the cylinder; or oil could leak out.
- When scrapping the shock absorber, follow the instructions on disposal.



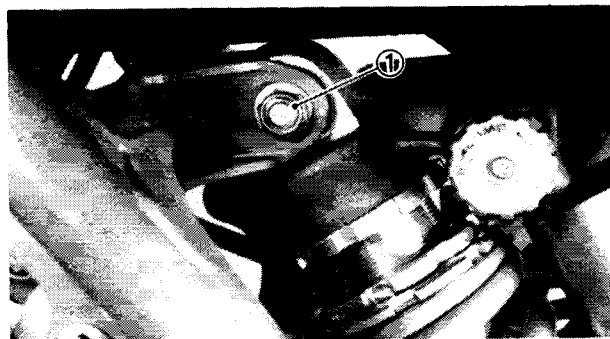
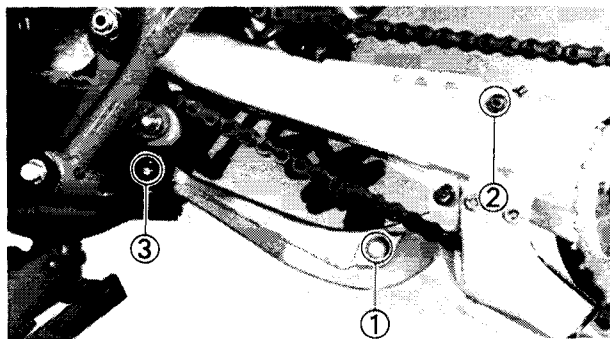
NOTES ON DISPOSAL

Shock absorber disposal steps:

Gas pressure must be released before disposing of shock absorber. To do so, drill ① a 2~3 mm (0.08~0.12 in) hole through the gas chamber wall at a point 25~30 mm (1.0~1.2 in) from the bottom end of the gas chamber.

CAUTION:

Wear eye protection to prevent eye damage from escaping gas and/or metal chips.



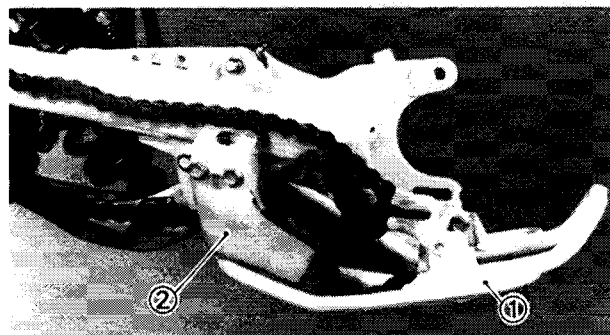
REMOVAL

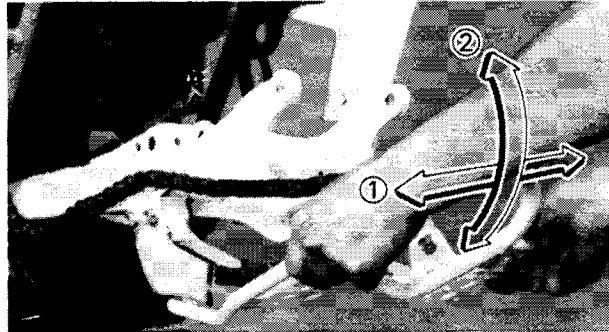
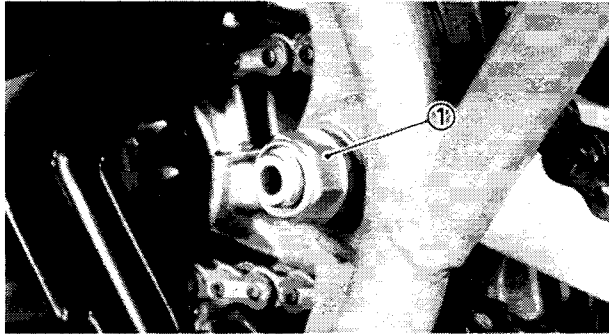
Shock Absorber

1. Elevate rear wheels by placing a suitable stand under the rear of the frame.
2. Remove:
 - Bolt (Shock absorber-lower) ①
 - Bolt (Connecting rod) ②
 - Bolt (Relay arm) ③, ④
 - Thrust covers
 - Collars
 - Relay arm
 - Connecting rod
3. Remove:
 - Bolt (Shock absorber-upper) ①
 - Shock absorber

Swingarm

1. Remove:
 - Rear wheels
 - Rear wheel hubs
 - Rear axle
 - Rear axle hub
 Refer to "REAR WHEEL AND REAR AXLE — REMOVAL" section.
2. Remove:
 - Rear hub protector ①
 - Drive chain
 Refer to "DRIVE CHAIN LUBRICATION" section.
 - Chain guide ②





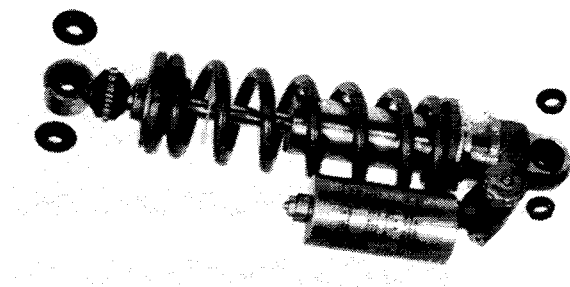
3. Remove:
 - Nut (Pivot shaft) ①
 - Pivot shaft
 - Swingarm
 - Thrust covers
 - Bushing
 - Bearings

FREE PLAY INSPECTION

1. Check:
 - Swingarm (Side play) ①
Out of specification → Replace swingarm or bearings.
 - Swingarm up and down movement ②
Tightness/Binding/Rough spots → Replace bearings.

Free play inspection step:

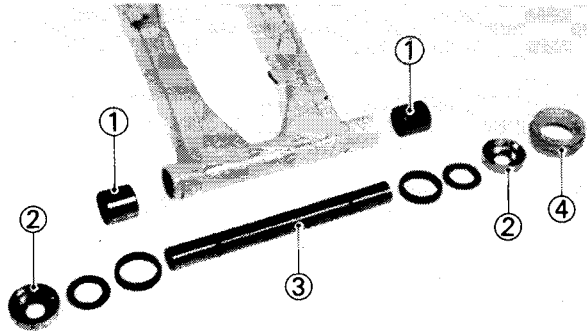
- Remove the rear wheel and rear axle.
- Remove the shock absorber and swingarm securing bolt.
- Inspect swingarm side play by moving it from side to side. (There should be on noticeable side play)
- Inspect swingarm up and down movement by moving it up and down.



INSPECTION

Rear Shock Absorber Inspection

1. Inspect:
 - Shock absorber rod
Bends/Damage → Replace the shock absorber assembly.
2. Inspect:
 - Shock absorber
Oil leaks/Gas leaks → Replace the shock absorber assembly.
 - Spring
Fatigue → Replace the shock absorber assembly.
Move the spring up and down.

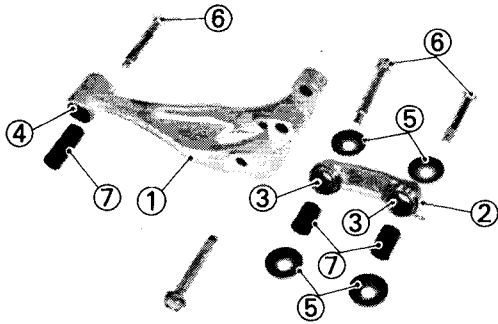


Swingarm Inspection

1. Wash the bearings in a solvent.
2. Inspect:
 - Bearings ① (Race/Balls)
Pitting/Damage → Replace.
 - Thrust cover ②
Damage → Replace.
 - Collar ③
Damage → Replace.
 - Protector ④
Damage/Wear → Replace.

Drive Chain Inspection

1. Inspect:
 - Drive chain
Refer to "CHAPTER 2. DRIVE CHAIN AND SPROCKET INSPECTION" section.




Swingarm Linkage Inspection

1. Inspect:
 - Relay arm ①
 - Connecting rod ②
 - Bushings ③
 - Oil seals ④
Damage/Wear → Replace.
 - Dust seal ⑤
 - Bolt ⑥
 - Collar ⑦
Damage/Wear → Replace.


INSTALLATION

When installing the rear shock absorber and swingarm, reverse the removal procedures. Note the following points.

1. Lubricate:
 - Bearings
 - Oil seals
 - Collars
 - Pivot shafts

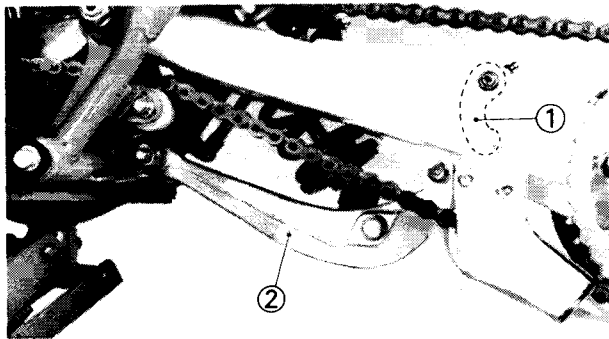
	Lithium Base Waterproof Wheel Bearing Grease
---	---


2. Install:
 - Swingarm
3. Tighten:
 - Pivot shaft

	Pivot Shaft: 85 Nm (8.5 m•kg, 61 ft•lb)
---	--


4. Check:
 - Swingarm (Side play)
 - Swingarm (Vertical movement)

Refer to "FREE PLAY INSPECTION" section.
5. Install:
 - Drive chain
 - Shock absorber
6. Tighten:
 - Bolt (Shock absorber-upper)




	Bolt (Shock Absorber-Upper): 30 Nm (3.0 m•kg, 22 ft•lb)
---	--

7. Install:
 - Connecting rod ①
 - Relay arm ②

	Connecting Rod: 30 Nm (3.0 m•kg, 22 ft•lb)
	Relay Arm: 30 Nm (3.0 m•kg, 22 ft•lb)

8. Tighten:
 - Bolt (Shock absorber-lower)

	Bolt (Shock Absorber-Lower): 30 Nm (3.0 m•kg, 22 ft•lb)
---	--



REAR SHOCK ABSORBER AND SWINGARMS

9. Install:

- Rear axle
- Rear wheel hubs
- Rear wheels

Refer to "REAR WHEEL AND REAR AXLE
— INSTALLATION" section

10. Adjust:

- Drive chain slack

Refer to "CHAPTER 2. DRIVE CHAIN
SLACK ADJUSTMENT" section.

CHAPTER 7 ELECTRICAL

YFZ350T CIRCUIT DIAGRAM7-1

ELECTRICAL COMPONENTS7-3

IGNITION SYSTEM7-5

 CIRCUIT DIAGRAM7-5

 TROUBLESHOOTING7-8

 SWITCHES TEST7-13

LIGHTING SYSTEM7-15

 CIRCUIT DIAGRAM7-15

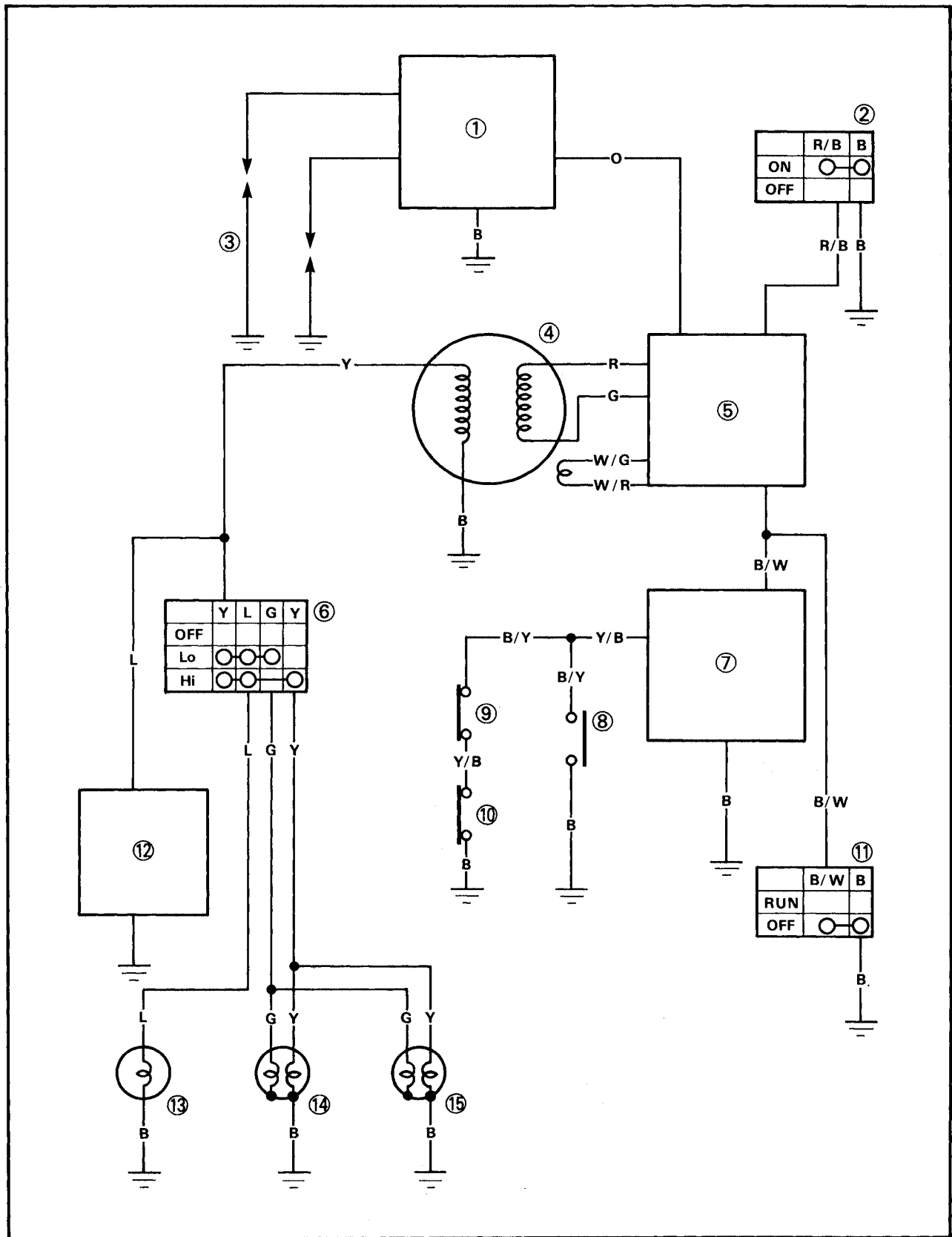
 TROUBLESHOOTING7-17

 SWITCHES TEST7-21



ELECTRICAL

YFZ350T CIRCUIT DIAGRAM



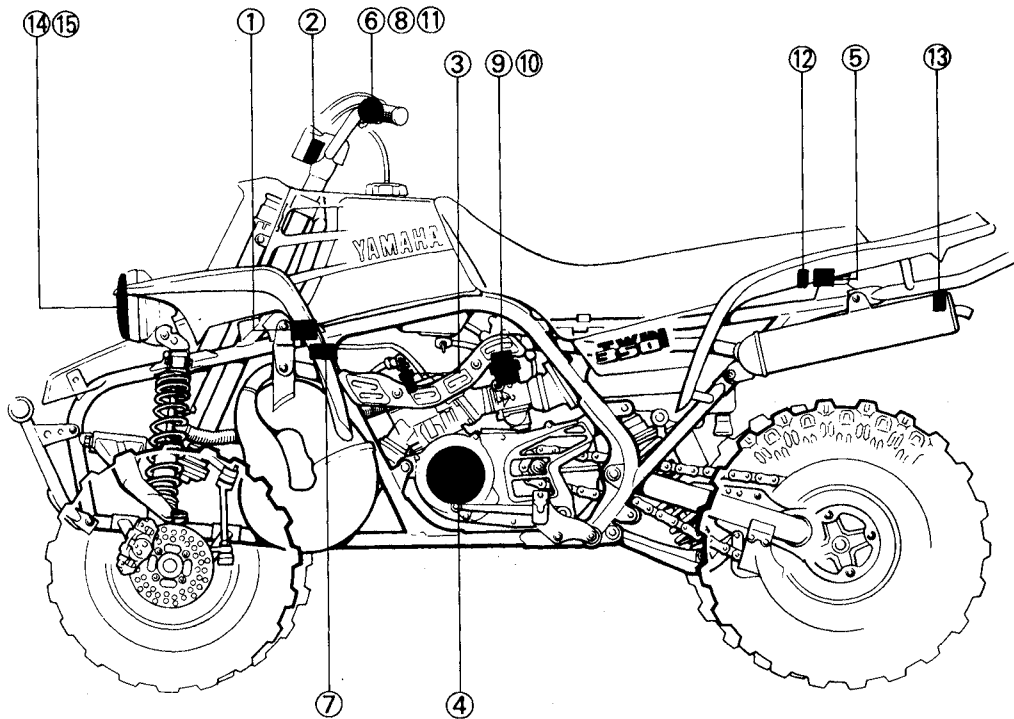
YFZ350T CIRCUIT DIAGRAM



- ① Ignition coil
- ② Main switch
- ③ Spark plug
- ④ CDI magneto
- ⑤ CDI unit
- ⑥ "LIGHTS" (Dimmer) switch
- ⑦ T.O.R.S. (Throttle override system) control unit
- ⑧ Throttle switch
- ⑨ Carburetor switch (Left)
- ⑩ Carburetor switch (Right)
- ⑪ "ENGINE STOP" switch
- ⑫ Voltage regulator
- ⑬ Taillight
- ⑭ Headlight (Left)
- ⑮ Headlight (Right)

COLOR CODE

- | | |
|--------------|----------------------|
| B.....Black | B/W.....Black/White |
| R.....Red | R/W.....Red/White |
| L.....Blue | W/G.....White/Green |
| Y.....Yellow | W/R.....White/Red |
| G.....Green | G/L.....Green/Blue |
| O.....Orange | R/B.....Red/Black |
| W.....White | Y/B.....Yellow/Black |
| Br.....Brown | B/Y.....Black/Yellow |

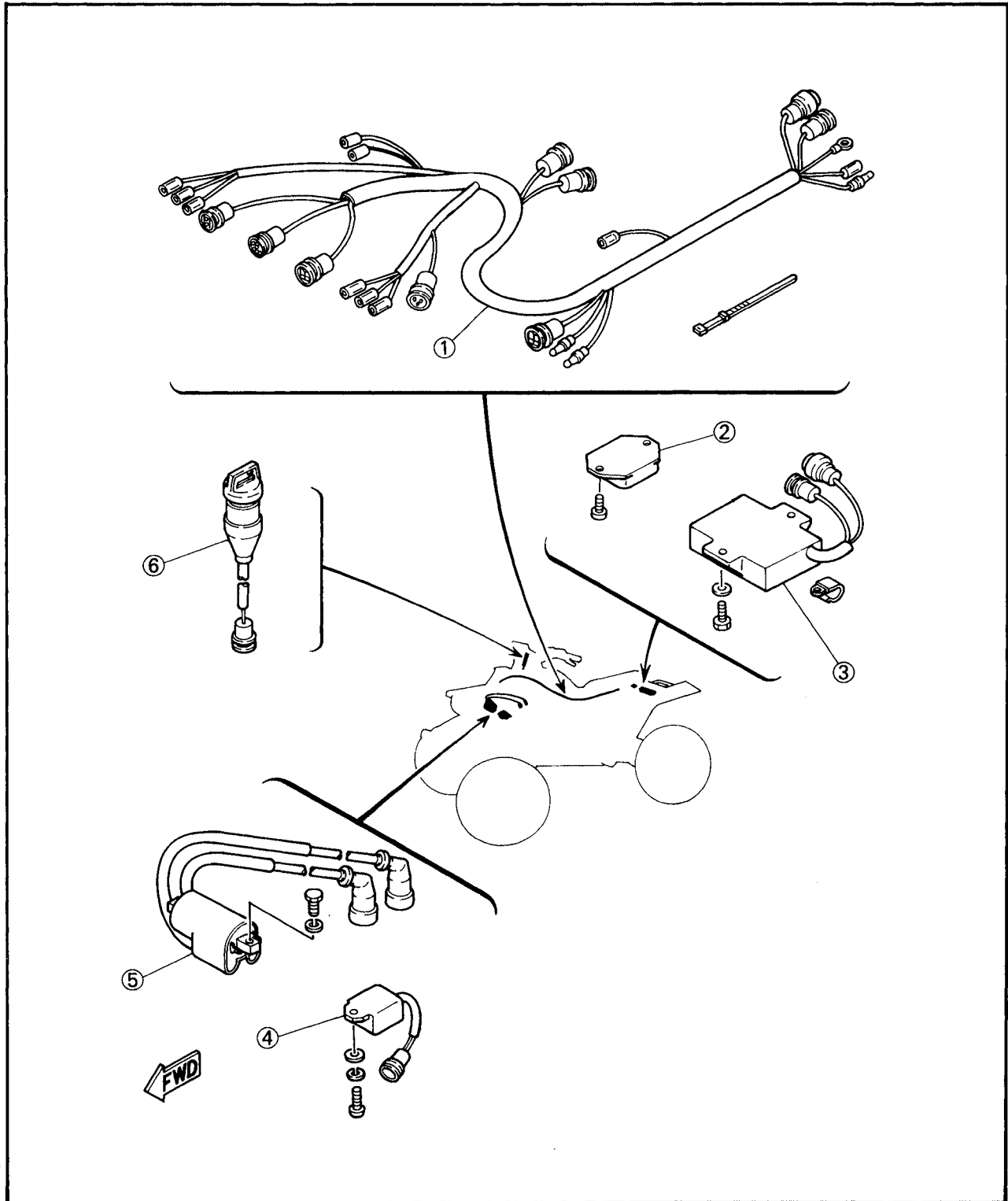




ELECTRICAL COMPONENTS

- ① Wireharness
- ② Voltage regulator
- ③ CDI unit
- ④ T.O.R.S. control unit
- ⑤ Ignition coil
- ⑥ Main switch

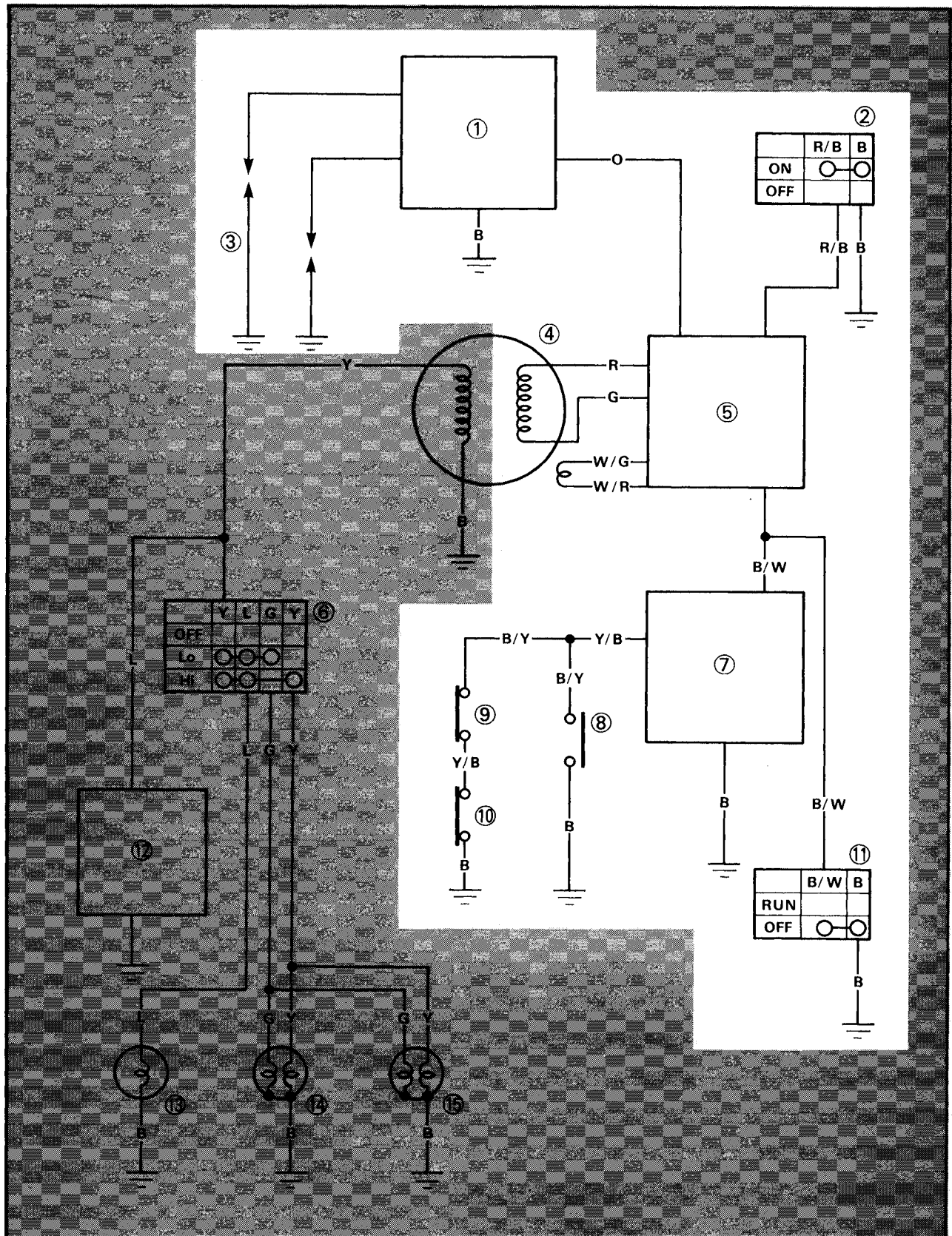
SPECIFICATIONS	RESISTANCE
IGNITION COIL:	
PRIMARY	0.28 ~ 0.38Ω
SECONDARY	4.7 ~ 7.1 kΩ
PICK-UP COIL	94 ~ 140Ω
SOURCE COIL	13.7 ~ 20.5Ω
LIGHTING COIL	0.26 ~ 0.38Ω







IGNITION SYSTEM
CIRCUIT DIAGRAM

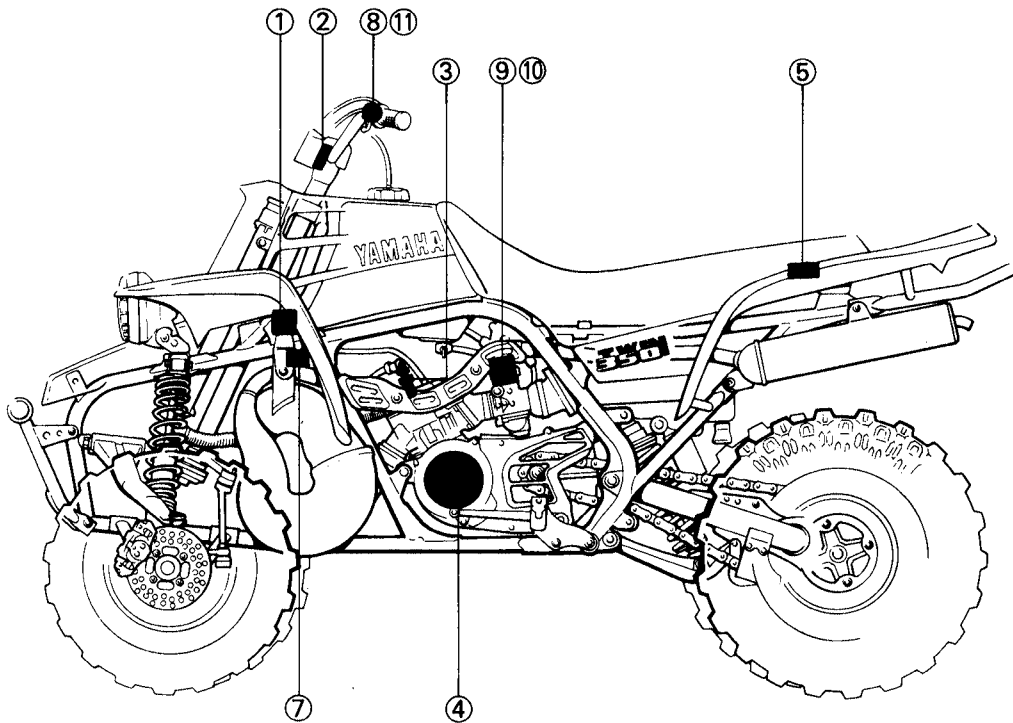


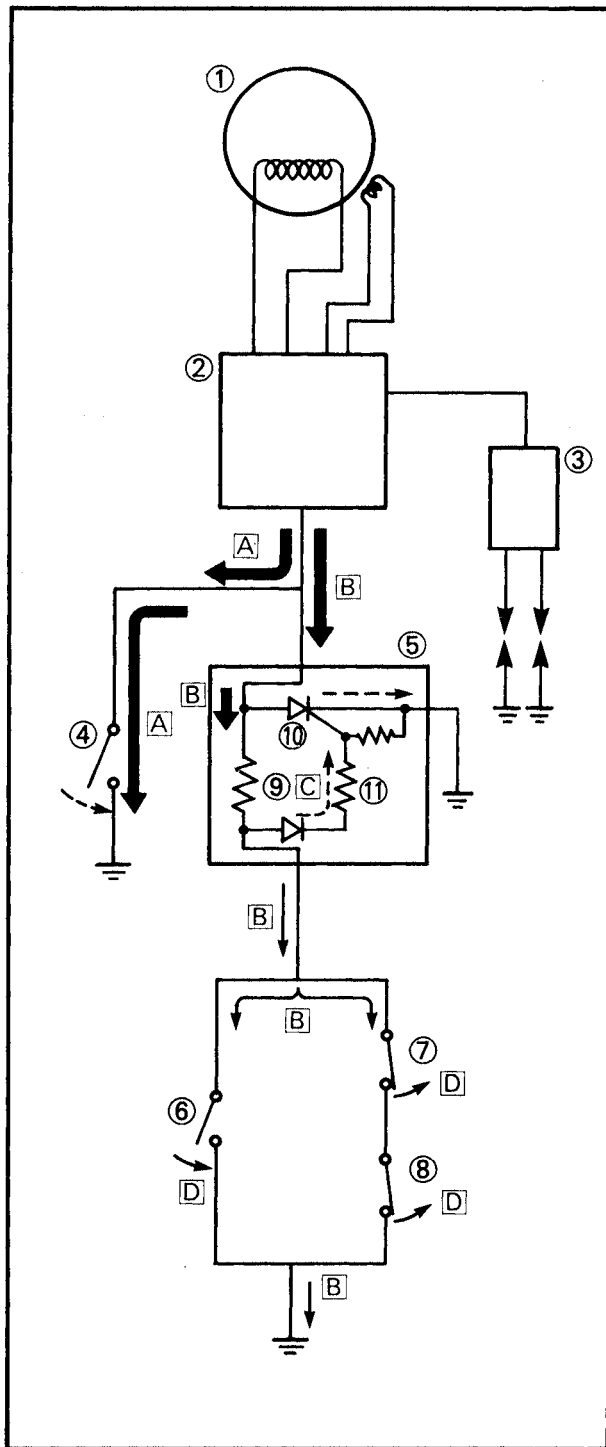


Aforementioned circuit diagram shows ignition circuit in circuit diagram.

NOTE: _____
 For the encircled numbers and color codes, see page 7-2.

- ① Ignition coil
- ② Main switch
- ③ Spark plug
- ④ CDI magneto
- ⑤ CDI unit
- ⑦ T.O.R.S. control unit
- ⑧ Throttle switch
- ⑨ Carburetor switch (Left)
- ⑩ Carburetor switch (Right)
- ⑪ "ENGINE STOP" switch





THROTTLE OVERRIDE SYSTEM (T.O.R.S.)

The ignition circuit on this model consist of the CDI magneto, CDI unit, ignition coil, spark plug, engine stop switch, T.O.R.S. control unit, throttle switch and carburetor switches.

When the engine stop switch (4) is turned to "STOP", the engine stop control current [A] flows to the ground through it; then, the engine will not start.

Operation of T.O.R.S.

- 1) Current [B] flows into the T.O.R.S. control unit (5), where it is decreased by resistance (9). The current then flows into the carburetor switches (7) and (8) or throttle switch (6). As a result, no current flows into the thyristor (10), thereby keeping the engine running.
- 2) If the carburetor and throttle switches (6), (7) and (8) are all turned off, the current [C] from the CDI unit flows into the thyristor (10), which is thus turned on, thereby grounding the engine stop control current [B] of the CDI unit.

- ① CDI magneto
- ② CDI unit
- ③ Ignition coil
- ④ "ENGINE STOP" switch
- ⑤ T.O.R.S. control unit
- ⑥ Throttle switch
- ⑦ Carburetor switch (Left)
- ⑧ Carburetor switch (Right)
- ⑨ Resistance
- ⑩ Thyristor
- ⑪ Resistance
- [A] At accelerating throttle



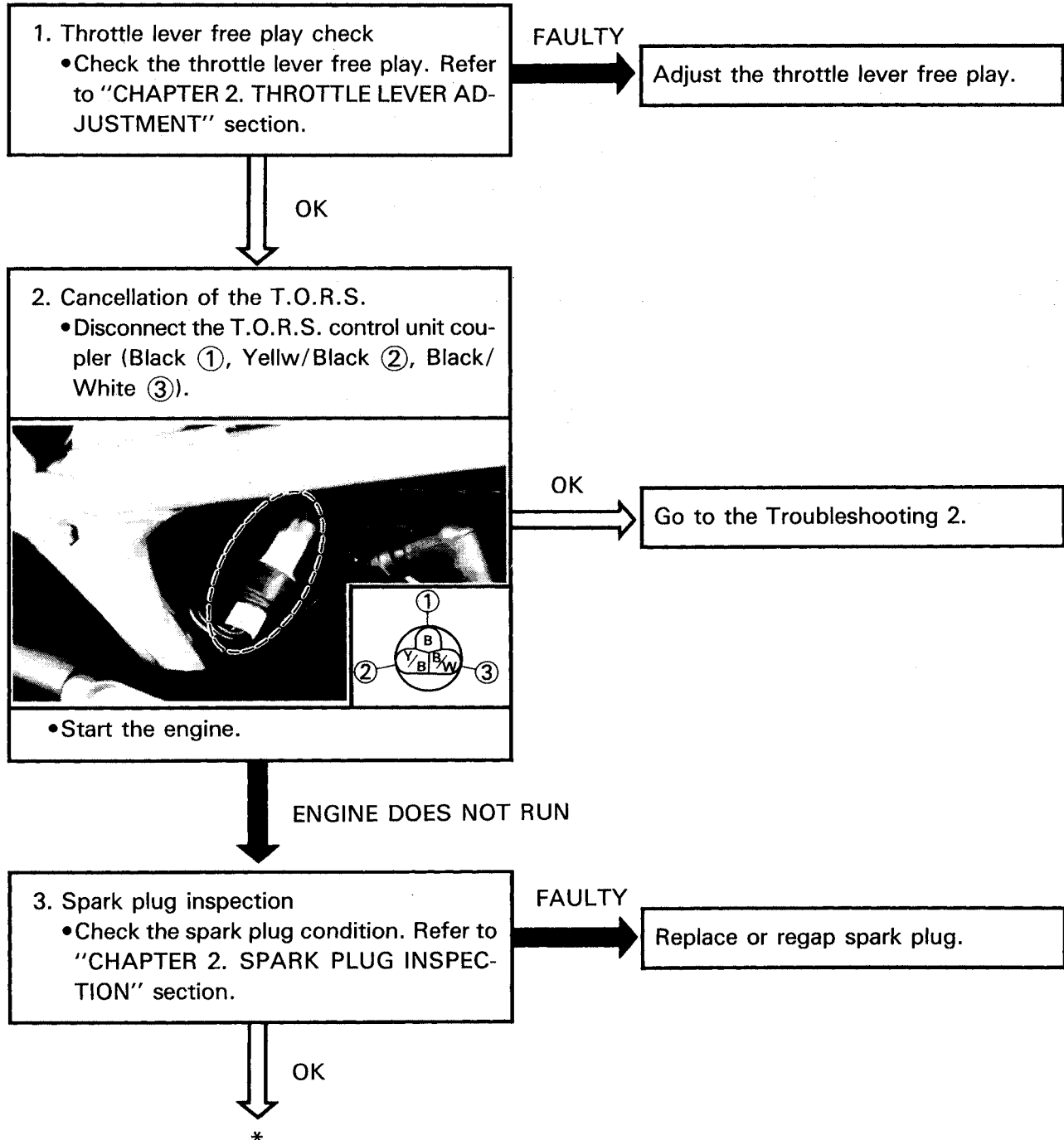
TROUBLESHOOTING

Troubleshooting 1.

NOTE:

Before this troubleshooting, remove the seat, front fender and rear fender.

IF IGNITION SYSTEM SHOULD BECOME INOPERATIVE (NO SPARK OR INTERMITTENT SPARK).





4. Ignition spark test (With spark plug)

- Install the spark plug to the plug cap.
- Ground the spark plug to the cylinder head.
- Turn the main switch to "ON" and "ENGINE STOP" switch to "RUN", then, shift the gear in neutral and set the parking brake.
- Kick the kick crank forcefully.
- Check the ignition spark condition.



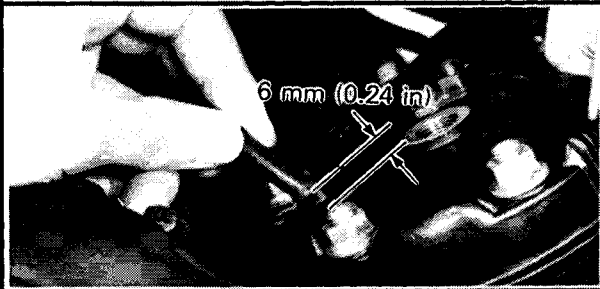
SPARK

Ignition circuit is good.

NO SPARK

5. Ignition spark gap test (Without spark plug and cap)

- Remove the spark plugs and plug caps.
- Hold the spark plug lead 6 mm (0.24 in) from the cylinder head.
- Repeat the aforementioned test.
- Check the ignition spark condition.



SPARK

Spark plug and/or plug cap is faulty. Replace faulty part(s).

NO SPARK

6. "ENGINE STOP" and main switches conduct check.

- Check the "ENGINE STOP" and main switches for continuity. Refer to "SWITCHES TEST" section.

FAULTY

"ENGINE STOP" and/or main switches is faulty. Replace faulty part(s).

OK

*



7. Ignition coil resistance test

- Disconnect the ignition coil leads (Orange ① and Black ②) and spark plug lead ③.
- Connect the Pocket Tester (YU-03112) as shown.
- Measure the primary and secondary coil resistances.



Primary Coil Resistance [A]:

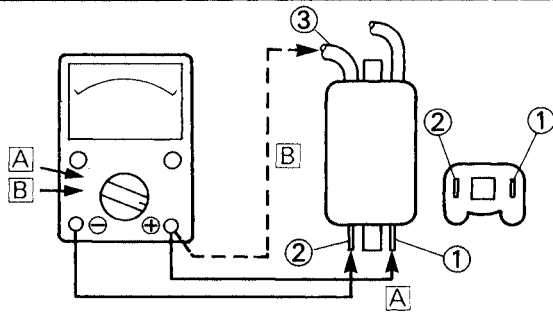
0.28 ~ 0.38Ω at 20°C (68°F)

Secondary Coil Resistance [B]:

4.7 ~ 7.1 kΩ at 20°C (68°F)

OUT OF SPECIFICATION

Ignition coil is faulty.
Replace it.



BOTH RESISTANCES
MEET SPECIFICATIONS

8. Source coil resistance test

- Disconnect the CDI magneto coupler (Green ①, Red ②, White/Red ③ and White/Green ④) from the wireharness.
- Connect the Pocket Tester (YU-03112) to the CDI magneto leads.
- Measure the source coil resistance.



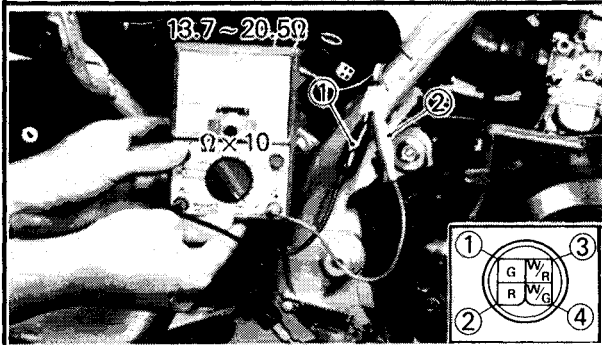
Source Coil Resistance

(Green ① – Red ②):

13.7 ~ 20.5Ω at 20°C (68°F)

OUT OF
SPECIFICATION

Source coil is faulty.
Replace stator assembly.



OK
*



9. Pickup coil resistance test

- Disconnect the CDI magneto coupler (Green ①, Red ②, White/Red ③ and White/Green ④) from the wireharness.
- Connect the Pocket Tester (YU-03112) to the pickup coil leads.
- Measure the pickup coil resistance.



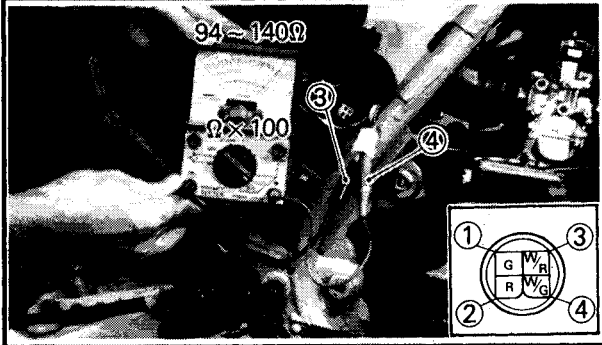
Pickup Coil Resistance

(White/Red ③ – White/Green ④)

94 ~ 140Ω at 20°C (68°F)

OUT OF SPECIFICATION

Pickup coil is faulty.
Replace stator assembly.



BOTH RESISTANCES MEET SPECIFICATIONS

POOR CONNECTION

10. Check entire ignition system for connections.
• Refer to "WIRING DIAGRAM" section.

Correct.

OK

CDI unit is faulty. Replace it.

Troubleshooting 2. (T.O.R.S.)

NOTE:

Before this troubleshooting 2., troubleshooting 1. should be performed.

1. Throttle lever switch test

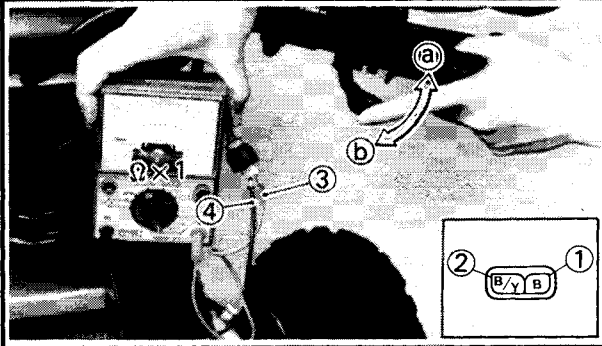
- Disconnect the throttle lever switch coupler (Black ① and Black/Yellow ②) from the wireharness.
- Connect the positive lead ③ of the Pocket Tester (YU-03112) to the Black/Yellow lead ②.
- Connect the negative lead ④ of the Pocket Tester to the Black lead ①.
- Check the switch for continuity.

BAD CONDITION

Throttle lever switch is faulty.
Replace it.

Throttle Lever	Good Condition	Bad Condition		
Open (a)	○	×	○	×
Close (b)	×	×	○	○

○: Continuity ×: Discontinuity



GOOD CONDITION

2. Carburetor switches test

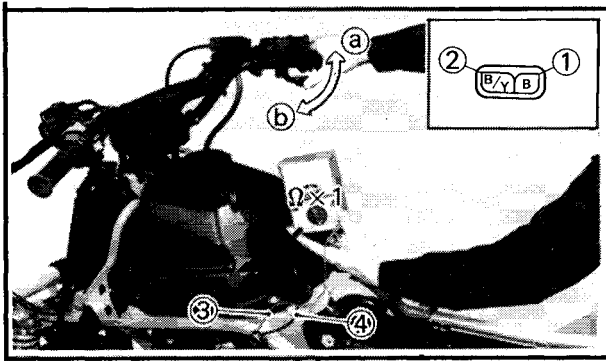
- Disconnect the carburetor switch coupler (Black ① and Black/Yellow ②) from the wireharness.
- Connect the positive lead ③ of the Pocket Tester (YU-03112) to the Black/Yellow lead ②.
- Connect the negative lead ④ of the Pocket Tester to the Black lead ①.
- Check the switch for continuity.
- Repeat the above steps for the another carburetor switch.

BAD CONDITION

Carburetor switch(s) is faulty.
Replace the carburetor switch assembly(s).

Carburetor Switch	Good Condition	Bad Condition		
Open (a)	×	×	○	○
Close (b)	○	×	○	×

○: Continuity ×: Discontinuity



GOOD CONDITION

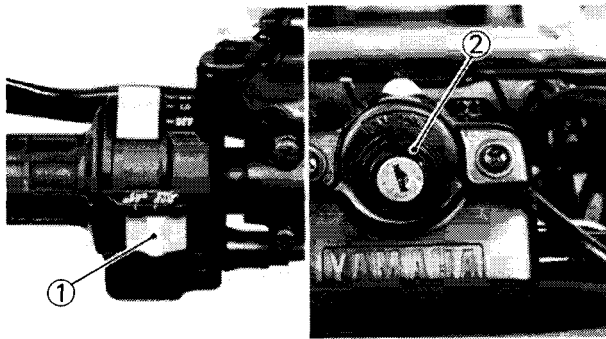
3. Check entire T.O.R. System for connections.
 •Refer to "WIRING DIAGRAM" section.

POOR CONNECTION

Correct.

OK

T.O.R.S. control unit is faulty.
 Replace it.



SWITCHES TEST

Switches may be checked for continuity with a Pocket Tester (YU-03112) on the "Ohm x 1" position.

① "ENGINE STOP" switch

② Main switch

Main Switch

Switch Position	Lead Color			
	R/W	B/R	R	Br
OFF				
ON	○—○	○—○	○—○	○—○

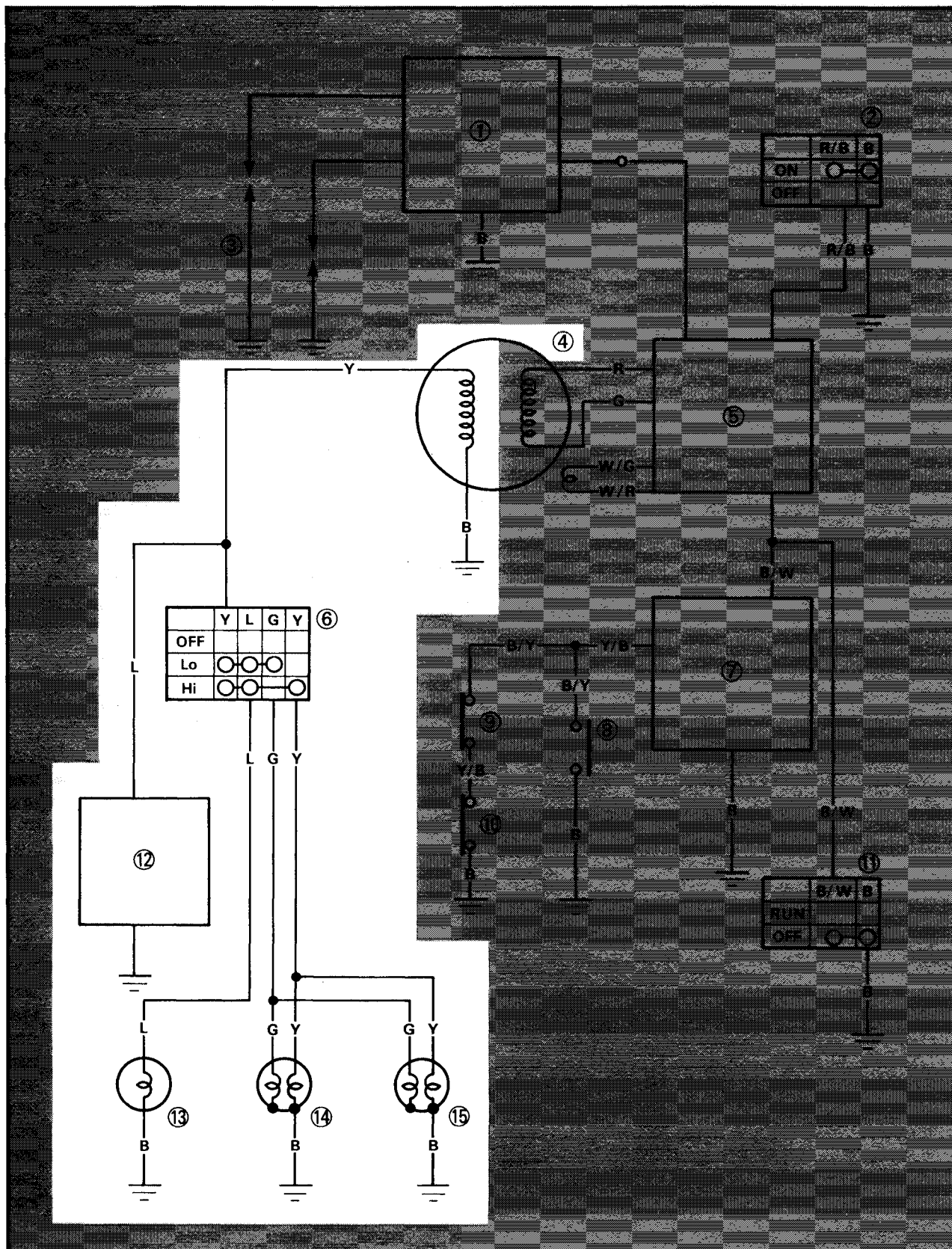
"ENGINE STOP" Switch

Switch Position	Lead Color	
	B/W	B
RUN		
OFF	○—○	○—○





LIGHTING SYSTEM
CIRCUIT DIAGRAM

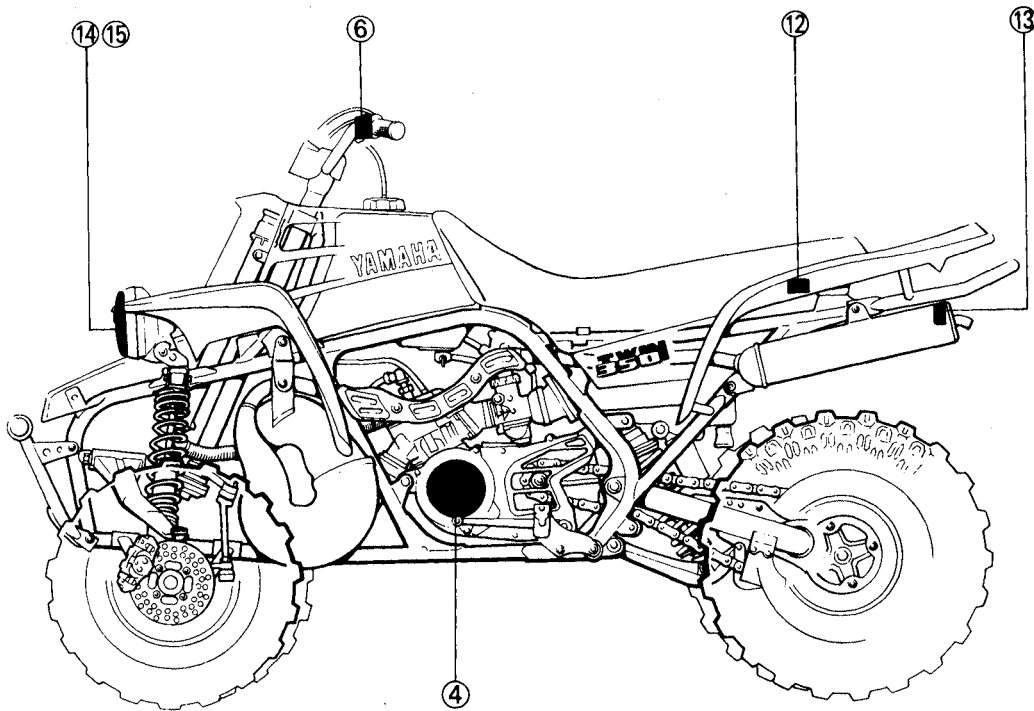




Aforementioned circuit diagram shows lighting circuit in circuit diagram.

NOTE: _____
For the encircled numbers and color codes, see page 7-2.

- ④ CDI magneto
- ⑥ "LIGHTS" (Dimmer) switch
- ⑫ Voltage regulator
- ⑬ Taillight
- ⑭ Headlight (Left)
- ⑮ Headlight (Right)





TROUBLESHOOTING

NOTE:

Before this troubleshooting, remove the front fender and rear fender.

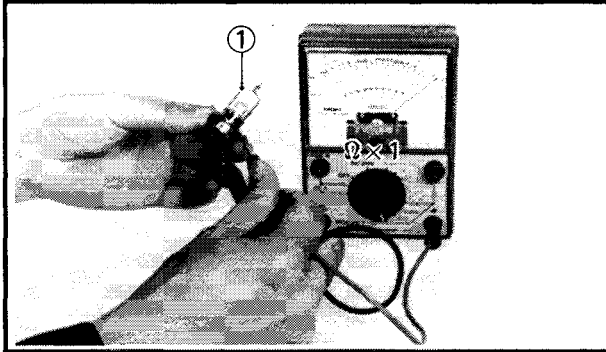
HEADLIGHT DOES NOT COME ON.

1. Headlight bulb conduct check

- Remove the headlight bulb ①. Refer to "CHAPTER 2. HEADLIGHT BULB REPLACEMENT" section.
- Connect the Pocket Tester (YU-03112) to the bulb terminals as shown, and check the bulb for continuity.

CONTINUITY DOES NOT EXIST ON CIRCUIT

Bulb is faulty.
Replace it.



CONTINUITY EXISTS ON BOTH CIRCUIT

2. Headlight bulb socket conduct check

- Install the bulb to the headlight socket.
- Connect the Pocket Tester (YU-03112) to the headlight leads (Black ①, Yellow ② and Green ③), and check it for continuity.

CONTINUITY DOES NOT EXIST ON CIRCUIT

Bulb socket is faulty.
Replace it.



CONTINUITY EXISTS ON BOTH CIRCUIT

*



3. Lighting voltage test

- Connect the Pocket Tester (YU-03112) to the headlight leads (Black ①, Yellow ② and Green ③).
- Turn the "LIGHTS" (Dimmer) switch to "LO" or "HI" position.
- Start the engine and accelerate to specific engine revolution.
- Measure the lighting voltage.

MORE THAN 16.3V AT 8,000 r/min

Voltage regulator is faulty.
Replace it.

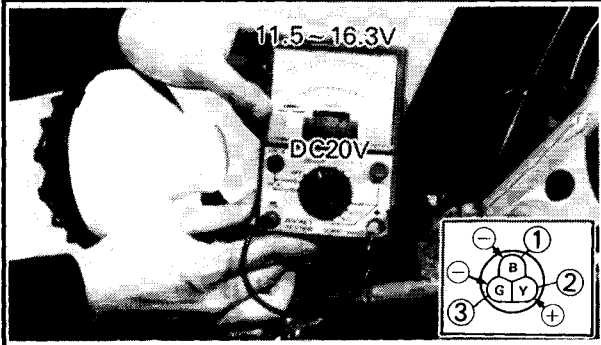


Lighting Voltage:
11.5V at 2,500 r/min
16.3V at 8,000 r/min

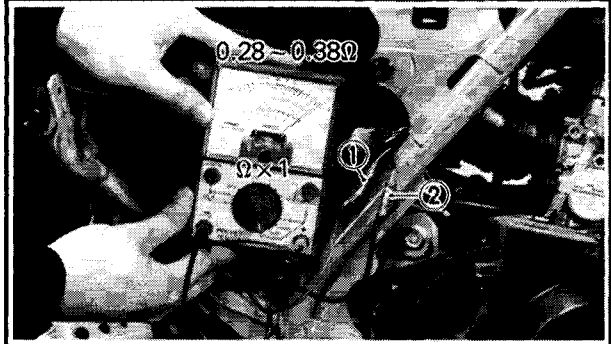
LESS THAN 11.5V AT 2,500 r/min

4. Lighting coil resistance test

- Disconnect the CDI magneto leads (Yellow ① and Black ②) from the wire-harness.
- Connect the pocket tester (YU-03112) to the CDI magneto leads.
- Measure the lighting coil resistance.



Lighting Coil Resistance
(Yellow ① – Black ②):
0.28 ~ 0.38Ω at 20°C (68°F)



OK

4. "LIGHTS" (Dimmer) switch conduct check

- Check the "LIGHTS" (Dimmer) switch for continuity. Refer to "SWITCHES TEST" section.

OUT OF SPECIFICATION

OK

FAULTY

OK

Correct entire lighting system for connections.
• Refer to "WIRING DIAGRAM" section.

Correct entire lighting system for connections.
• Refer to "WIRING DIAGRAM" section.

Lighting coil is faulty.
Replace stator assembly.

"LIGHTS" (Dimmer) switch is faulty. Replace it.



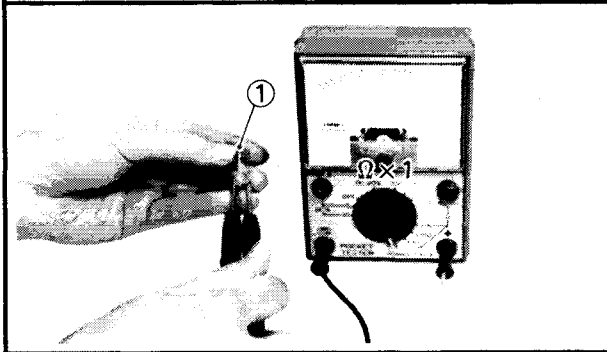
TAILLIGHT DOES NOT COME ON.

1. Taillight bulb conduct check

- Remove the taillight bulb ①.
- Connect the Pocket Tester (YU-03112) to the bulb terminals as shown, and check the bulb for continuity.

CONTINUITY DOES NOT EXIST ON CIRCUIT

Bulb is faulty.
Replace it.



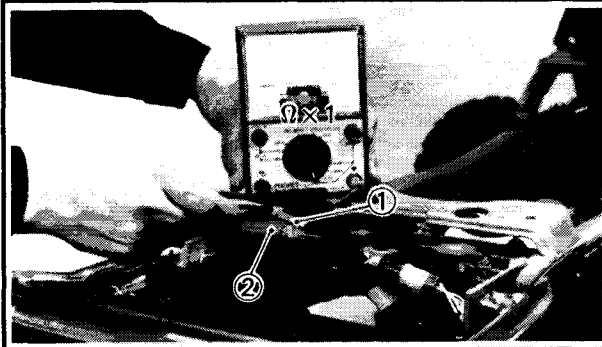
CONTINUITY EXISTS ON BOTH CIRCUIT

2. Taillight bulb socket conduct check

- Install the bulb to the taillight socket.
- Connect the Pocket Tester (YU-03112) to the taillight leads (Black ①, Blue ②), and check it for continuity.

CONTINUITY DOES NOT EXIST ON CIRCUIT

Bulb socket is faulty.
Replace it.



CONTINUITY EXISTS ON BOTH CIRCUIT

*



3. Lighting voltage test

- Connect the Pocket Tester (YU-03112) to the taillight leads (Black ①, Blue ②).
- Start the engine and accelerate to specific engine revolution.
- Measure the lighting voltage.

MORE THAN 16.3V AT 8,000 r/min

Voltage regulator is faulty.
Replace it.



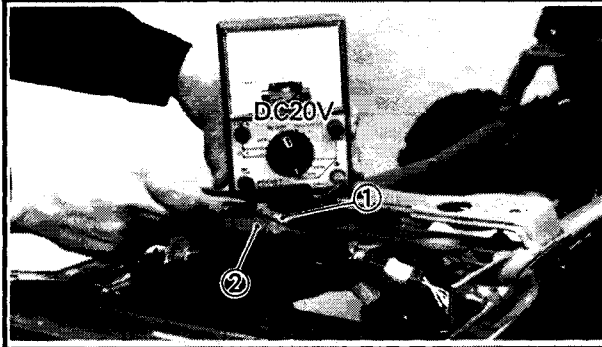
Lighting Voltage:

11.5V at 2,500 r/min
16.3V at 8,000 r/min

LESS THAN 11.5V AT 2,500 r/min

4. Lighting coil resistance test

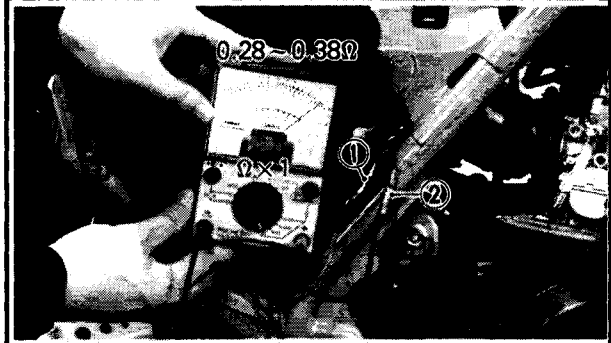
- Disconnect the CDI magneto leads (Yellow ① and Black ②) from the wire-harness.
- Connect the pocket tester (YU-03112) to the CDI magneto leads.
- Measure the lighting coil resistance.



Lighting Coil Resistance

(Yellow ① – Black ②):

0.28 ~ 0.38Ω at 20°C (68°F)



OK

4. "LIGHTS" (Dimmer) switch conduct check

- Check the "LIGHTS" (Dimmer) switch for continuity. Refer to "SWITCH TEST" section.

FAULTY

OK

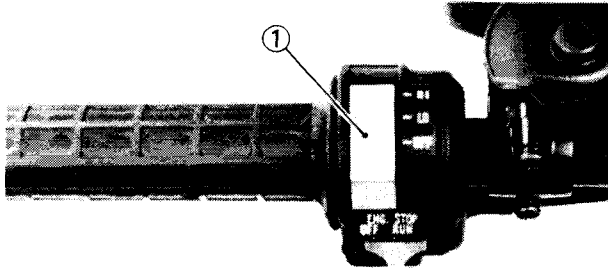
Correct entire lighting system for connections.
• Refer to "WIRING DIAGRAM" section.

Correct entire lighting system for connections.
• Refer to "WIRING DIAGRAM" section.

OUT OF SPECIFICATION

"LIGHTS" (Dimmer) switch is faulty. Replace it.

Lighting coil is faulty.
Replace stator assembly.



SWITCHES TEST

Switches may be checked for continuity with a Pocket Tester (YU-03112) on the "Ohm $\times 1$ " position.

① "LIGHTS" (Dimmer) switch

"LIGHTS" (Dimmer) Switch

Switch Position	Lead Color			
	Y	L	G	Y
OFF				
LO	○	○	○	
HI	○	○		○

**CHAPTER 8.
APPENDICES**

SPECIFICATIONS8-1
 GENERAL SPECIFICATIONS8-1
 MAINTENANCE SPECIFICATIONS8-4

GENERAL TORQUE SPECIFICATIONS8-13

DEFINITION OF UNITS8-13

CONVERSION TABLE8-14

CABLE ROUTING8-15

YFZ350T WIRING DIAGRAM



SPECIFICATIONS

APPENDICES

SPECIFICATIONS

GENERAL SPECIFICATIONS

Model	YFZ350T
Model Code Number	2GU
Engine Starting Number	2GU-000101
Vehicle Identification Number	JY42GU00*HC000101
DIMENSIONS:	
Overall Length	1,855 mm (73 in)
Overall Width	1,100 mm (43.3 in)
Overall Height	1,080 mm (42.5 in)
Seat Height	780 mm (30.7 in)
Wheelbase	1,280 mm (50.4 in)
Minimum Ground Clearance	135 mm (5.31 in)
BASIC WEIGHT:	
With Oil and Full Fuel Tank	182 kg (401 lb)
Minimum Turning Radius:	3,600 mm (142 in)
ENGINE:	
Engine Type	Liquid Cooled, 2-Stroke
Induction System	Reed Valve
Cylinder Arrangement	Forward Inclined Parallel 2-Cylinder
Displacement	347 cm ³
Bore x Stroke	64 x 54 mm (2.520 x 2.126 in)
Compression Ratio	6.5 : 1
Starting System	Kick Starter
LUBRICATION SYSTEM:	
Premix Ratio	Premix YAMALUBE "R" 24 : 1 CASTROL R30 20 : 1 CASTROL A545 20 : 1 CASTROL A747 20 : 1
Transmission Oil	SAE 10W30 type SE motor oil
OIL CAPACITY:	
Transmission Oil	
Periodic Oil Change	1.5 L (1.3 Imp qt, 1.6 US qt)
Total Amount	1.7 L (1.5 Imp qt, 1.8 US qt)
Radiator Capacity:	
(Including all Routes)	1.5 L (0.33 Imp gal, 0.40 US gal)
AIR FILTER:	Wet Type Element

SPECIFICATIONS

APPX



Model	YFZ350T	
FUEL: Type Capacity: Total Reserve Amount	Premix Premium Gasoline 12 L (2.64 Imp gal, 3.17 US gal) 2.5 L (2.2 Imp qt, 2.64 US qt)	
CARBURETOR: Type/Quantity Manufacturer	VM26SS/2 MIKUNI	
SPARK PLUG: Type Manufacturer Spark Plug Gap	B8ES/W24ES NGK/NIPPON DENSO 0.7 ~ 0.8 mm (0.028 ~ 0.032 in)	
Clutch Type	Wet, Multiple-disc	
TRANSMISSION: Primary Reduction System Primary Reduction Ratio Secondary Reduction System Secondary Reduction Ratio Transmission Type Operation Gear Ratio: 1st 2nd 3rd 4th 5th 6th	Helical Gear 66/23 (2.869) Chain Drive 42/13 (3.230) Constant Mesh 6-Speed Left Foot Operation 32/13 (2.461) 29/16 (1.812) 27/18 (1.500) 25/20 (1.250) 23/22 (1.045) 21/24 (0.875)	
CHASSIS: Frame Type Caster Angle Trail Tread (Standard): Rear Front Toe-in	Steel Tube Frame 9° 40 mm (1.57 in) 840 mm (33.1 in) 900 mm (35.4 in) 0 ~ 10 mm (0 ~ 0.39 in)	
TIRE: Type Size: Front Rear Wear Limit	Tubeless AT21 × 7-10 AT22 × 10-9 3 mm (0.12 in)	
TIRE PRESSURE:	Front	Rear
	30 kPa (0.3 kg/cm ² , 4.3 psi)	25 kPa (0.25 kg/cm ² , 3.6 psi)

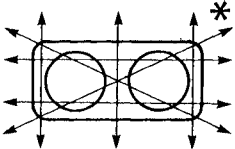
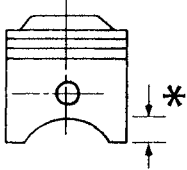
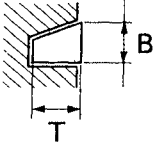
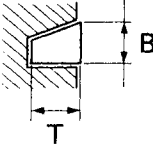
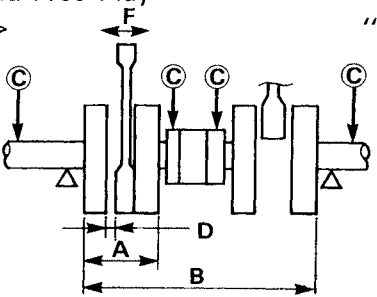


Model	YFZ350T
BRAKE: Front Brake Type Front Brake Operation Rear Brake Type Rear Brake Operation Parking Brake Operation	Dual Disc Brake Right Hand Operation Single Disc Brake Right Foot Operation Left Hand Operation
SUSPENSION: Front Rear	Double Wishbone Swingarm (Link Suspension)
SHOCK ABSORBER: Front Rear	Coil Spring/Oil Damper Coil-Gas Spring/Oil Damper
WHEEL TRAVEL: Front Rear	220 mm (8.66 in) 220 mm (8.66 in)
ELECTRICAL: Ignition System Generator System Headlight Type Bulb Watage × Quantity: Headlight Tail/Brake Light	C.D.I. Flywheel Magneto Bulb Type 12V30W/30W × 2 12V3.8W/—W × 1



MAINTENANCE SPECIFICATIONS

Engine

Model	YFZ350T
<p>CYLINDER HEAD: Warp Limit</p> 	<p>< 0.03 mm (0.0012 in) > *Lines indicate straightedge measurement:</p>
<p>CYLINDER: Bore Size < Limit > Taper Limit Out of Round Limit</p>	<p>64.00 ~ 64.02 mm (2.520 ~ 2.521 in) 64.1 mm (2.524 in) < 0.05 mm (0.002 in) > < 0.01 mm (0.0004 in) ></p>
<p>PISTON: Piston Size Measuring Point* Piston Clearance Oversize: 1st 2nd</p> 	<p>63.94 ~ 64.00 mm (2.517 ~ 2.520 in) 10 mm (0.39 in) 0.060 ~ 0.065 mm (0.0024 ~ 0.0026 in) 64.25 mm (2.53 in) 64.50 mm (2.54 in)</p>
<p>PISTON RING: TOP RING: Type Dimensions (B x T) End Gap (Installed) < Limit > Side Clearance (Installed) < Limit > 2ND RING: Type Dimensions (B x T) End Gap (Installed) < Limit > Side Clearance < Limit ></p>  	<p>Keystone 1.2 x 2.6 mm (0.05 x 0.10 in) 0.30 ~ 0.45 mm (0.012 ~ 0.018 in) < 0.5 mm (0.020 in) > 0.02 ~ 0.06 mm (0.0008 ~ 0.0024 in) < 0.12 mm (0.0047 in) > Keystone 1.50 x 2.15 mm (0.06 x 0.08 in) 0.30 ~ 0.45 mm (0.012 ~ 0.018 in) < 0.5 mm (0.020 in) > 0.02 ~ 0.06 mm (0.0008 ~ 0.0024 in) < 0.12 mm (0.0047 in) ></p>
<p>CRANKSHAFT: Crank Width "A" Assembly Width "B" Runout Limit "C" Big End Side Clearance "D" Small End Free Play "E" < Limit > "F"</p> 	<p>53.95 ~ 54.00 mm (2.124 ~ 2.126 in) 155.90 ~ 156.05 mm (6.138 ~ 6.144 in) < 0.05 mm (0.0021 in) > 0.25 ~ 0.75 mm (0.0098 ~ 0.0295 in) 0.36 ~ 0.98 mm (0.0142 ~ 0.0386 in) < 2.0 mm (0.08 in) ></p>



Model	YFZ350T
CLUTCH: Friction Plate: Thickness Quantity Wear Limit Clutch Plate: Thickness Quantity Warp Limit Clutch Spring: Free Length Quantity Minimum Length Clutch Release Method Push rod bending limit	3 mm (0.118 in) 7 pcs <2.7 mm (0.106 in)> 1.2 mm (0.047 in) 6 pcs <0.05 mm (0.002 in)> 36.4 mm (1.43 in) 6 pcs 34.4 mm (1.351 in) Inner Push, Cam Push <0.2 mm (0.008 in)>
TRANSMISSION: Main Axle Deflection Limit Drive Axle Deflection Limit	<0.08 mm (0.0031 in)> <0.08 mm (0.0031 in)>
SHIFTER: Shifter Type	Cam Drum
KICK STARTER: Kick Starter Type Kick clip Friction Force Air Filter Oil Grade	Kick & Mesh Type 0.8~1.3 kg (1.8~2.9 lb) Foam-Air-Filter Oil or SAE10W30SE type motor oil
CARBURETOR: I.D. Mark Fuel Level (F.L.) (With Special Tool) Float Height (F.H.) Main Jet (M.J.) Main Air Jet (M.A.J.) Jet Needle (J.N.) Needle Jet (N.J.) Cutaway (C.A.) Pilot Outlet (P.O.) Pilot Jet (P.J.) Bypass 1 (B.P.1.) Air Screw (A.S.) Valve Seat Size (V.S.) Starter Jet (G.S.)	2GU 00 0.5~1.5 mm (0.020~0.059 in) 20~22 mm (0.80~0.88 in) #210 φ1.6 5N7-3 O-8 2.0 φ0.6 #25 1.4 2.0 turns out 2.8 φ1.4
REED VALVE: Thickness Valve Stopper Height Valve Bending Limit	0.37~0.47 mm (0.0146~0.0185 in) 10.3~10.7 mm (0.406~0.421 in) <0.5 mm (0.02 in)>

SPECIFICATIONS

APPX



Model	YFZ350T
COOLING SYSTEM: Radiator Core Size: Width Height Thickness Radiator Cap Opening Pressure Reservoir Tank Capacity Water Pump Type	210 mm (8.27 in) 350 mm (13.8 in) 32 mm (1.26 in) 93 ~ 123 kPa (0.95 ~ 1.25 kg/cm ² , 13.5 ~ 17.8 psi) 0.28 L (0.246 Imp qt, 0,296 US, qt) Single-Suction Centrifugal Pump



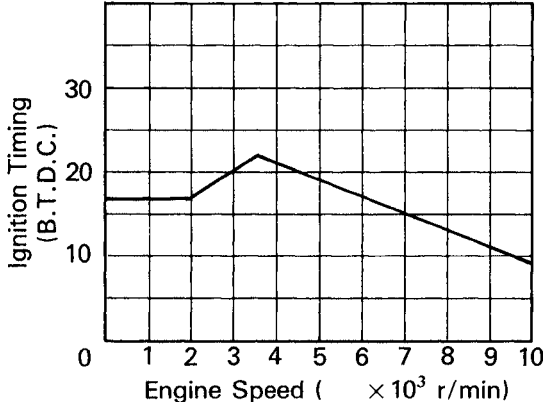
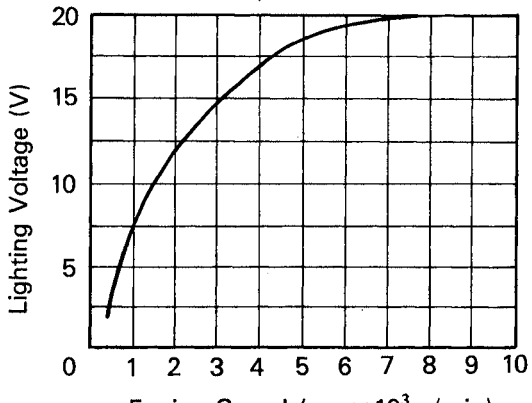
Tightening torque

Part to be tightened	Thread size	Tightening torque			Remarks
		Nm	m•kg	ft•lb	
Cylinder head	M 8×1.25	28	2.8	20	
Cylinder	M 8×1.25	28	2.8	20	
Spark plug	M14×1.25	20	2.0	14	
Reed valve	M 3×0.5	1	0.1	0.7	
Water pump cover	M 6×1.0	8	0.8	5.8	
Joint (Cylinder head)	M 6×1.0	12	1.2	8	
Reed valve assembly	M 6×1.0	10	1.0	7.2	
Primary drive gear	M16×1.0	65	6.5	47	
Clutch boss	M20×1.0	90	9.0	65	
Clutch spring	M 6×1.0	10	1.0	7.2	
Drive sprocket	M18×1.0	80	8.0	58	
Kick crank	M 8×1.25	25	2.5	18	
Shift pedal	M 6×1.0	14	1.4	10	
Flywheel magneto	M12×1.25	80	8.0	58	
Exhaust pipe	M 8×1.25	25	2.5	18	
Silencer	M 8×1.25	35	3.5	25	
Drain plug (Transmission)	M14×1.5	20	2.0	14	
(Coolant)	M 6×1.0	14	1.4	10	
Crankcase cover (R)	M 6×1.0	7	0.7	5.1	
(L)	M 6×1.0	7	0.7	5.1	
Crankcase (Lower)	M 8×1.25	25	2.5	18	
(Upper)	M 6×1.0	10	1.0	7.2	
Bearing stopper plate	M 6×1.0	14	1.4	10	
Shift cam stopper plate	M 6×1.0	14	1.4	10	
Stopper lever	M 6×1.0	10	1.0	7.2	
Shift lever adjust screw	M 8×1.25	30	3.0	22	



Model	YFZ350T
REAR DISC BRAKE: Type Disc Outside Dia. × Thickness Pad Thickness Inner <Limit> Pad Thickness Outer <Limit> Master Cylinder Inside Diameter Caliper Cylinder Inside Dia. Brake Fluid Type	Single 220.0 × 3.5 mm (8.66 × 0.138 in) 4.5 mm (0.18 in) <1 mm (0.039 in)> 4.5 mm (0.18 in) <1 mm (0.039 in)> 12.7 mm (0.50 in) 33.96 mm (1.34 in) DOT No. 4
BRAKE LEVER AND BRAKE PEDAL: Brake Lever Free Play Brake Pedal Position Brake Pedal Free Play	4~8 mm (0.16~0.32 in) at lever end 10 mm (0.4 in) 8 mm (0.3 in)

MAINTENANCE SPECIFICATION (ELECTRICAL)

Model	YFZ350T
Voltage	12V
IGNITION SYSTEM: Ignition Timing (B.T.D.C.) Advancer Type	17°/1,200 r/min Electrical Type 
C.D.I.: Magneto Model/Manufacturer Pickup Coil Resistance (Color) Charging Coil Resistance (Color) C.D.I. Unit Model/Manufacturer	032000-620/NIPPONDENSO 94 ~ 140Ω at 20°C (68°F) (W/R—W/G) 13.7 ~ 20.5Ω at 20°C (68°F) (G—R) 070000-167/NIPPONDENSO
IGNITION COIL: Model/Manufacturer Minimum Spark Gap Primary Winding Resistance Secondary Winding Resistance	129700-146/NIPPONDENSO 6 mm (0.24 in) 0.28 ~ 0.38Ω at 20°C (68°F) 4.7 ~ 7.1kΩ at 20°C (68°F)
SPARK PLUG CAP: Type Resistance	Rubber Type 5kΩ
F.W.MAGNETO: Model/Manufacturer Lighting Voltage (Min.) Lighting Voltage (Max.) Lighting Coil Resistance (Color)	032000-620/NIPPONDENSO 11.5V/2,500 r/min 16.3V/8,000 r/min 0.26 ~ 0.38Ω at 20°C (68°F) (Y—B) 

SPECIFICATIONS

APPX



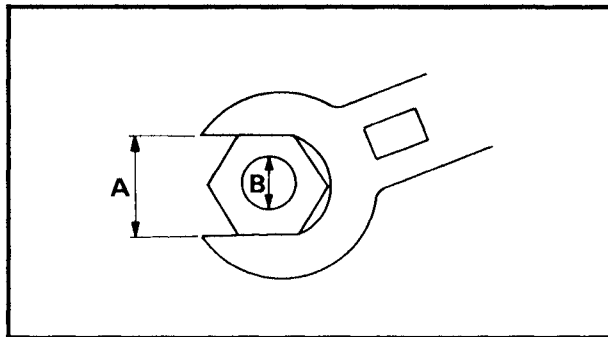
Model	YFZ350T
VOLTAGE REGULATOR: Model/Manufacturer No Load Regulated Voltage Withstand Voltage	TRIZ-50/HITACHI 16V 200V



GENERAL TORQUE SPECIFICATIONS

This chart specifies torque for standard fasteners with standard I.S.O. pitch threads. Torque specifications for special components or assemblies are included in the applicable sections of this book. To avoid warpage, tighten multi-fastener assemblies in a crisscross fashion, in progressive stages, until full torque is reached. Unless otherwise specified, torque specifications call for clean, dry threads. Components should be at room temperature.

A (Nut)	B (Bolt)	General torque specifications		
		Nm	m·kg	ft·lb
10 mm	6 mm	6	0.6	4.3
12 mm	8 mm	15	1.5	11
14 mm	10 mm	30	3.0	22
17 mm	12 mm	55	5.5	40
19 mm	14 mm	85	8.5	61
22 mm	16 mm	130	13.0	94



- A** Distance across flats
- B** Outside thread diameter

DEFINITION OF UNITS

Unit	Read	Definition	Measure
mm	millimeter	10^{-3} meter	Length
cm	centimeter	10^{-2} meter	Length
kg	kilogram	10^3 gram	Weight
N	Newton	$1 \text{ kg} \times \text{m}/\text{sec}^2$	Force
Nm	Newton meter	$\text{N} \times \text{m}$	Torque
m·kg	Meter kilogram	$\text{m} \times \text{kg}$	Torque
Pa	Pascal	N/m^2	Pressure
N/mm	Newton per millimeter	N/mm	Spring rate
L	Liter		Volume or Capacity
cm^3	Cubic centimeter		Volume or Capacity
r/min	Rotation per minute		Engine Speed

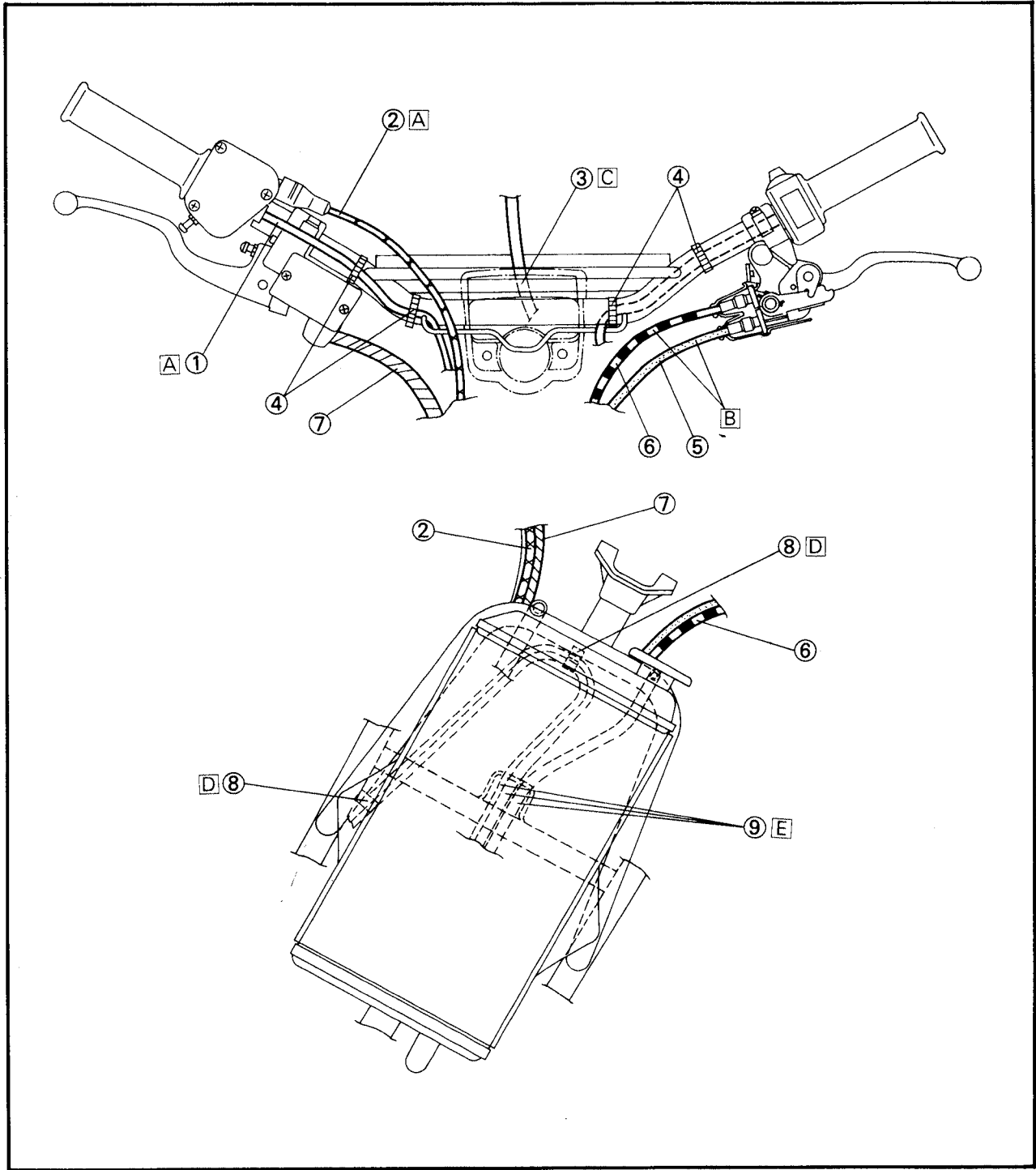
CONVERSION TABLES

Metric to inch system		
Known	Multiplier	Result
m•kg	7.233	ft•lb
m•kg	86.80	in•lb
cm•kg	0.0723	ft•lb
cm•kg	0.8680	in•lb
kg	2.205	lb
g	0.03527	oz
km/lit	2.352	mpg
km/hr	0.6214	mph
km	0.6214	mi
m	3.281	ft
m	1.094	yd
cm	0.3937	in
mm	0.03937	in
cc (cm ³)	0.03382	oz (US liq)
cc (cm ³)	0.06102	cu in
lit (liter)	2.1134	pt (US liq)
lit (liter)	1.057	qt (US liq)
lit (liter)	0.2642	gal (US liq)
kg/mm	56.007	lb/in
kg/cm	14.2234	psi (lb/in)
Centigrade (°C)	9/5 (°C) + 32	Fahrenheit (°F)

Inch to metric system		
Known	Multiplier	Result
ft•lb	0.13862	m•kg
in•lb	0.01152	m•kg
ft•lb	13.831	cm•kg
in•lb	1.1521	cm•kg
lb	0.4535	kg
oz	28.352	g
mpg	0.4252	km/lit
mph	1.609	km/hr
mi	1.609	km
ft	0.3048	m
yd	0.9141	m
in	2.54	cm
in	25.4	mm
oz (US liq)	29.57	cc (cm ³)
cu in	16.387	cc (cm ³)
pt (US liq)	0.4732	lit (liter)
qt (US liq)	0.9461	lit (liter)
gal (US liq)	3.785	lit (liter)
lb/in	0.017855	kg/mm
psi (lb/in)	0.07031	kg/cm
Fahrenheit (°C)	5/9 (F°-32)	Centigrade (°F)

CABLE ROUTING

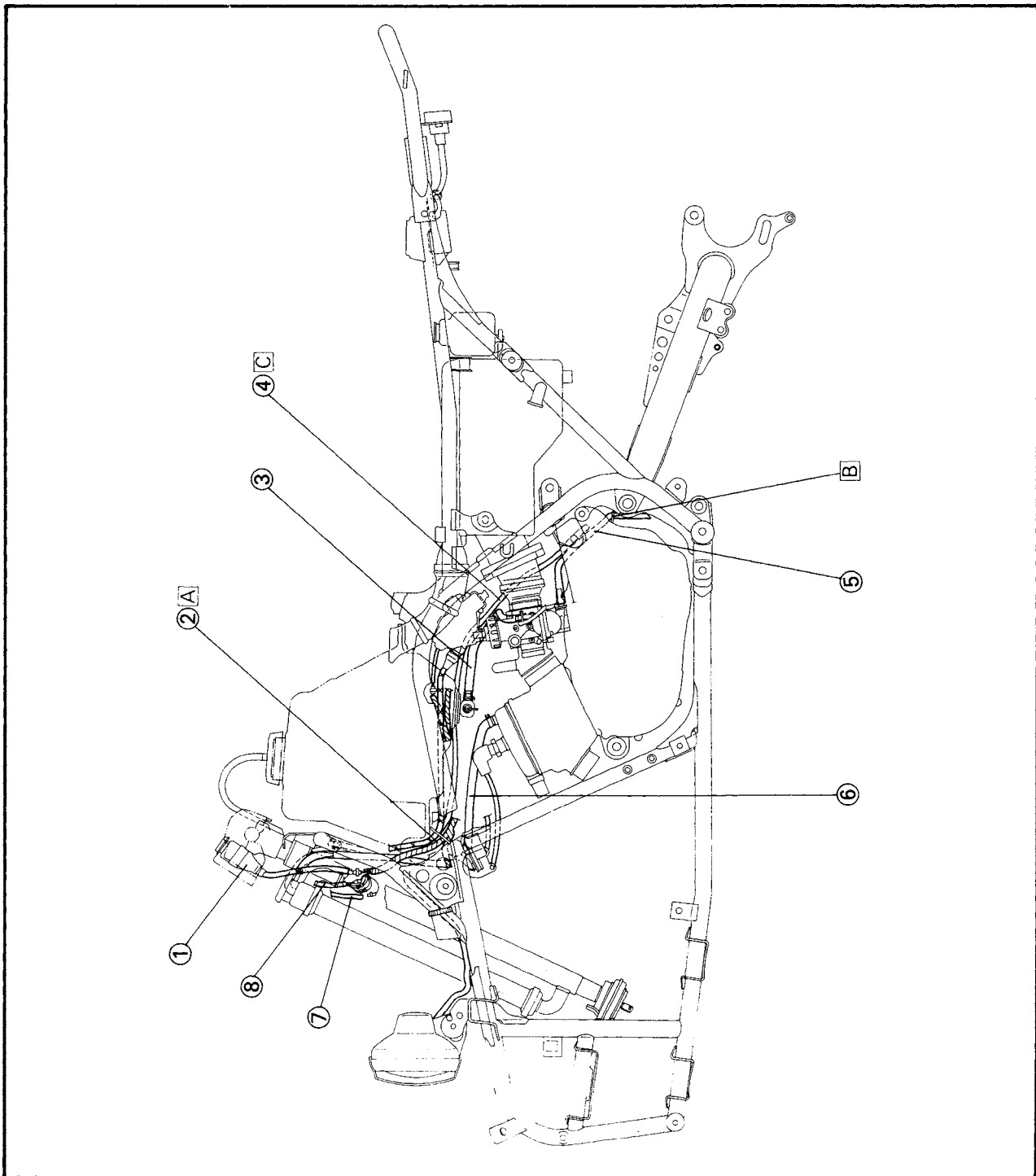
- ① Throttle switch lead
 - ② Throttle cable
 - ③ Fuel tank breather hose
 - ④ Band
 - ⑤ Parking brake cable
 - ⑥ Clutch cable
 - ⑦ Front brake hose
 - ⑧ Clamp
 - ⑨ Breather hose
- A** Pass the cable in front of the front brake pipe.
 - B** Pass the cables behind the front brake pipe.
 - C** Pass the hose through the handle protector hole.
 - D** Clamp the hoses.
 - E** Pass the hoses through the hose guide.



CABLE ROUTING

- ① Main switch
- ② Wire harness
- ③ Fuel hose
- ④ Crankcase breather hose
- ⑤ Carburetor over flow hose
- ⑥ Radiator hose
- ⑦ Throttle switch lead
- ⑧ Handle switch lead.

- A Pass the wire harness into the guide. Align the marking tape at the position of the guide.
- B Pass the hose into the guide
- C Do not pass the hose into the guide. Pass the hose behind the brake pipe.

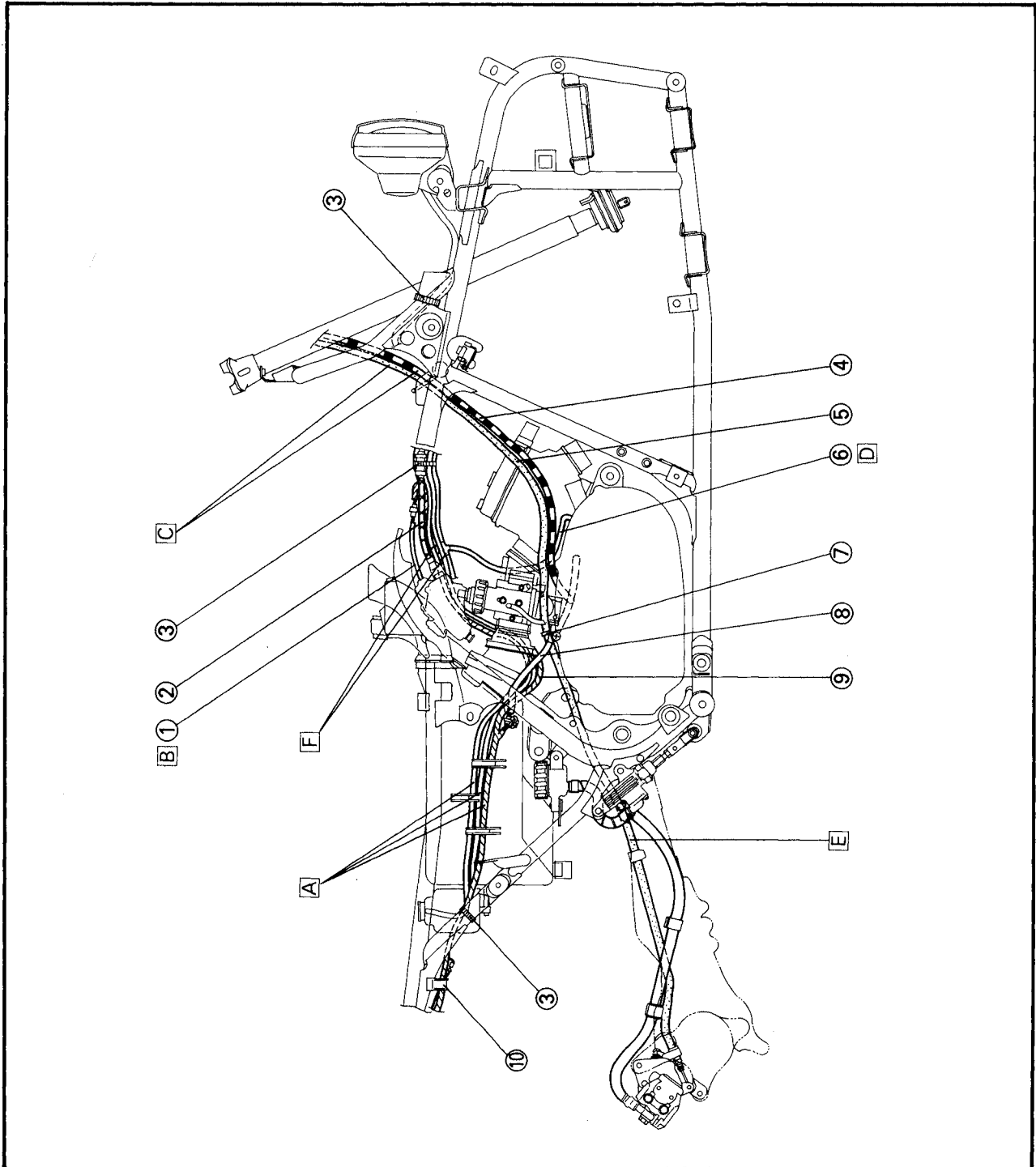




CABLE ROUTING

- ① Carburetor switch lead
- ② Throttle cable
- ③ Band
- ④ Clutch cable
- ⑤ Parking brake cable
- ⑥ Breather hose
- ⑦ Cable guide
- ⑧ CDI magneto lead
- ⑨ Wire harness
- ⑩ Clamp

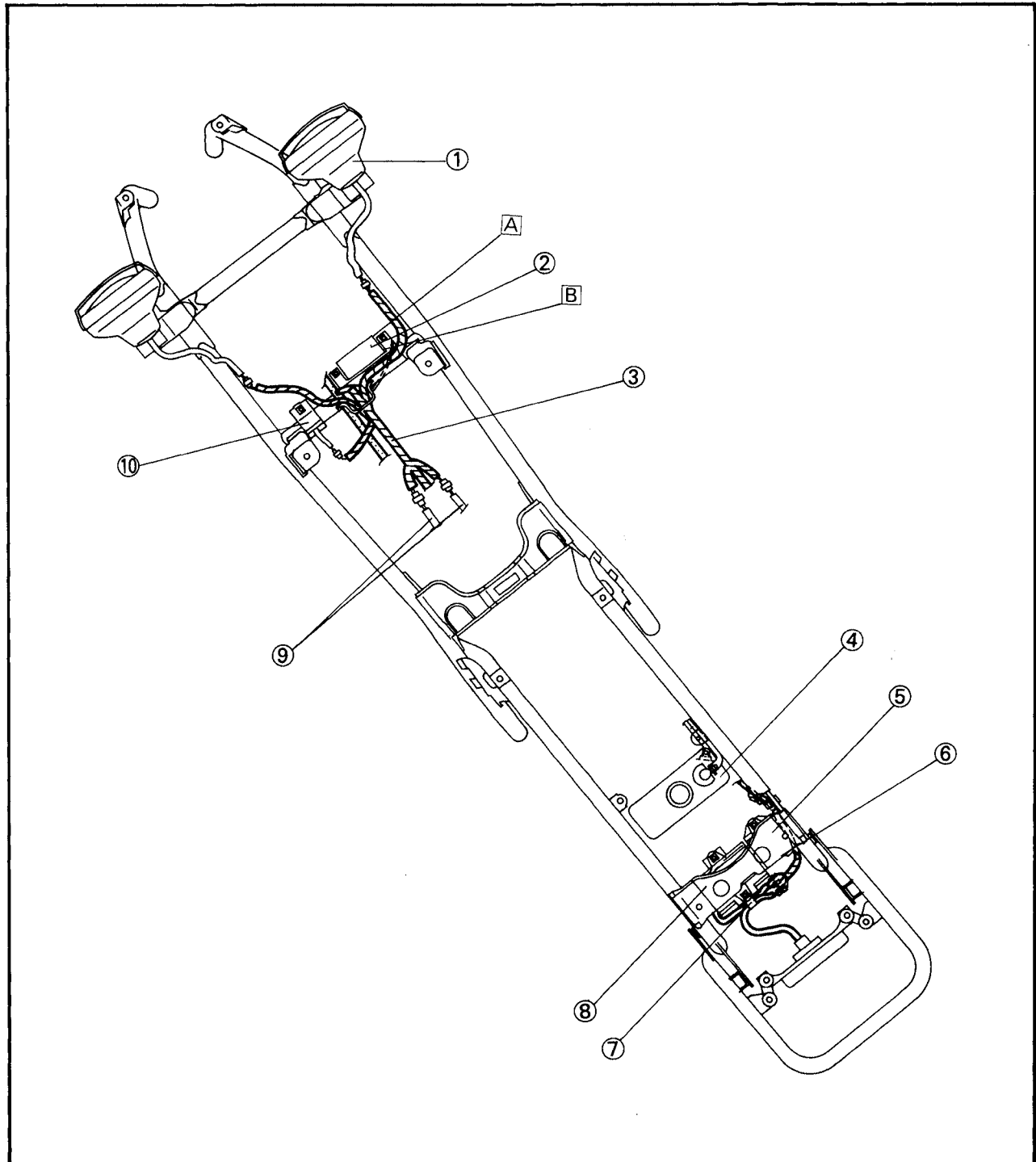
- A Pass the wire harness and hoses through the guide on the air cleaner.
- B Pass the lead above the hoses and cables.
- C Pass the cable through the guide.
- D Route the hose behind the clutch and Parking cable. Pass the hose between both carburetor joint.
- E Route the cable behind the rear brake hose.
- F Pass the hoses inside the wire harness.





CABLE ROUTING

- ① Headlight
 - ② Ignition coil
 - ③ Wire harness
 - ④ Reserver tank
 - ⑤ Voltage regulator
 - ⑥ Body earth
 - ⑦ Clamp
 - ⑧ CDI unit
 - ⑨ Carburetor switch lead
 - ⑩ T.O.R.S. control unit
- A Ignition coil lead (Orange)
 - B Ignition coil lead (Black)



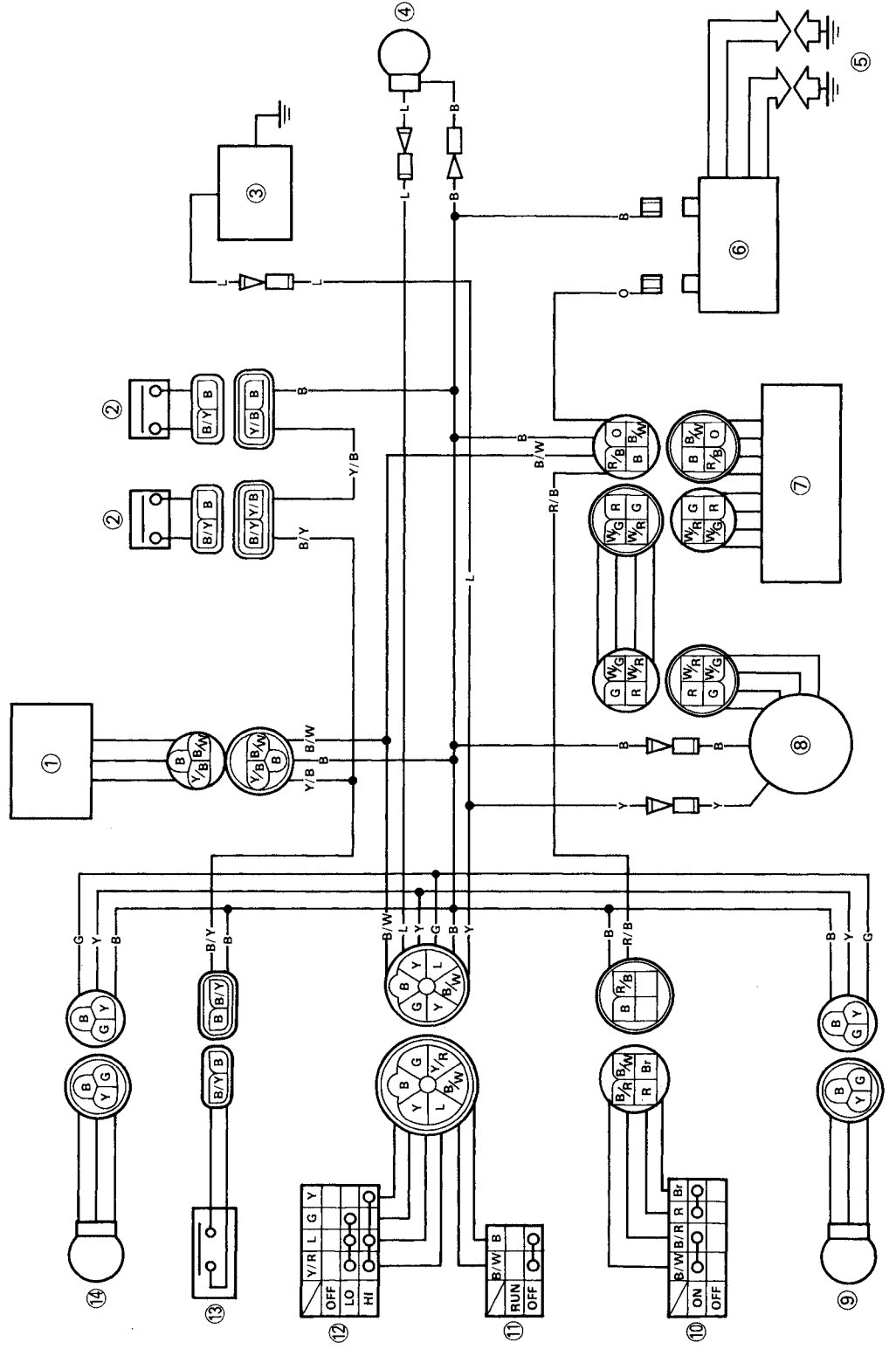


YFZ350T WIRING DIAGRAM

- ① T.O.R.S. control unit
- ② Carburetor switch
- ③ Voltage regulator
- ④ Taillight
- ⑤ Spark plug
- ⑥ Ignition coil
- ⑦ CDI unit
- ⑧ Headlight
- ⑨ Main switch
- ⑩ "ENGINE STOP" switch
- ⑪ "LIGHTS" (Dimmer) switch
- ⑫ Throttle switch
- ⑬ Headlight

COLOR CODE

- B Black
- Br Brown
- G Green
- L Blue
- O Orange
- R Red
- Y Yellow
- B/W Black/White
- B/Y Black/Yellow
- R/B Red/Black
- W/G White/Green
- W/R White/Red
- W/B White/Black
- Y/B Yellow/Black
- Y/R Yellow/Red
- B/R Black/Red





YAMAHA MOTOR CO.,LTD.

IWATA, JAPAN

PRINTED IN U.S.A.

PROTECT YOUR INVESTMENT
Use Genuine YAMAHA Parts And Accessories



LIT-11616-YF-36

YAMAHA MOTOR CORPORATION, U.S.A.
PRINTED IN U.S.A.