



YAMAHA

PARTS CATALOGUE

IT125J (3W?)

EUROPE

A2

CONTENTS

ENGINE

Cylinder	B2
Crankshaft - Piston	B3 ~ B4
C.D.I Magneto	B5
Intake	B6
Carburetor	B7 ~ B8
Exhaust	B9
Crankcase	B10
Crankcase Cover	B11
Kick Starter	B12
Clutch	B13
Transmission	B14 ~ B15
Shift Cam - Fork	C2
Shift Shaft - Pedal	C3

CHASSIS

Frame	C4
Front Fender - Rear Fender	C5
Side Cover	C6
Rear Arm	C7
Rear Suspension	C8
Steering	C9
Front Fork	C10
Fuel Tank	C11 ~ C12
Seat	C13
Front Wheel	C14 ~ C15
Rear Wheel	D2 ~ D3
Handlebar - Cable	D4
Stand - Footrest	D5 ~ D6
Flasher Light	D7

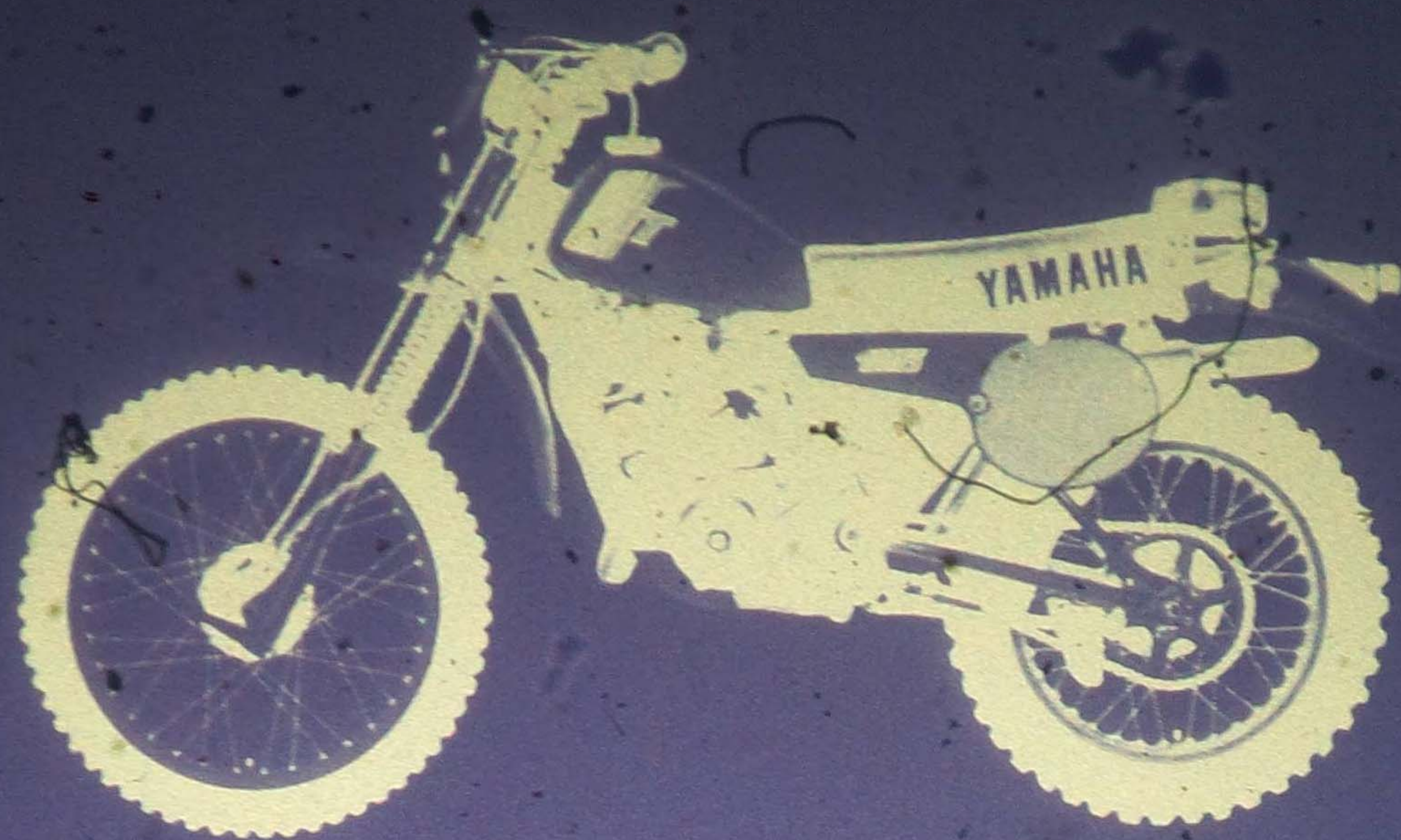
Speedometer	D8
Headlight	D9
Taillight	D10
Electrical 1	D11
Handle Switch - Lever	D12

REPAIR KIT

Repair Kit	D13 ~ D14
------------------	-----------

INDEX

Numerical Index	M1 ~ M3
Parts Name Index	M11 ~ M16



A3

FOREWORD

This Parts Catalogue is related to the parts in use for the Yamaha IT 125J (3W1).
When you are ordering replacement parts for the IT 125J (3W1), refer to this Parts Catalogue and quote both part numbers and part names correctly.

1. Modifications or additions which have been made after issue of the Parts Catalogue will be announced in the Yamaha Parts News.
It is advisable that according to the Yamaha Parts News you make necessary corrections to the Parts Catalogue on hand to keep it up-to-date.

2. Abbreviations

The following abbreviations are used in this Parts Catalogue.

- U.R. Use size (thickness) and/or number as required.
- U.N. Use as many as you need.
- A.P. Alternate Parts
- L.M. Local Made
- F# Frame No. (Applicable machine No.)

3. The parts marked with (+) in the parts number column of this Catalogue are not supplied with by Yamaha, those have to be found locally.
4. Parts, which are to be supplied in the form of assemblies, are listed with an indention of one letter's space, and a dot (.) is put against the name of each part.

EXAMPLE CARBURETOR ASS'Y
 . JET, pilot
 . NOZZLE, main

5. Indication of No. of constituent parts for assembly

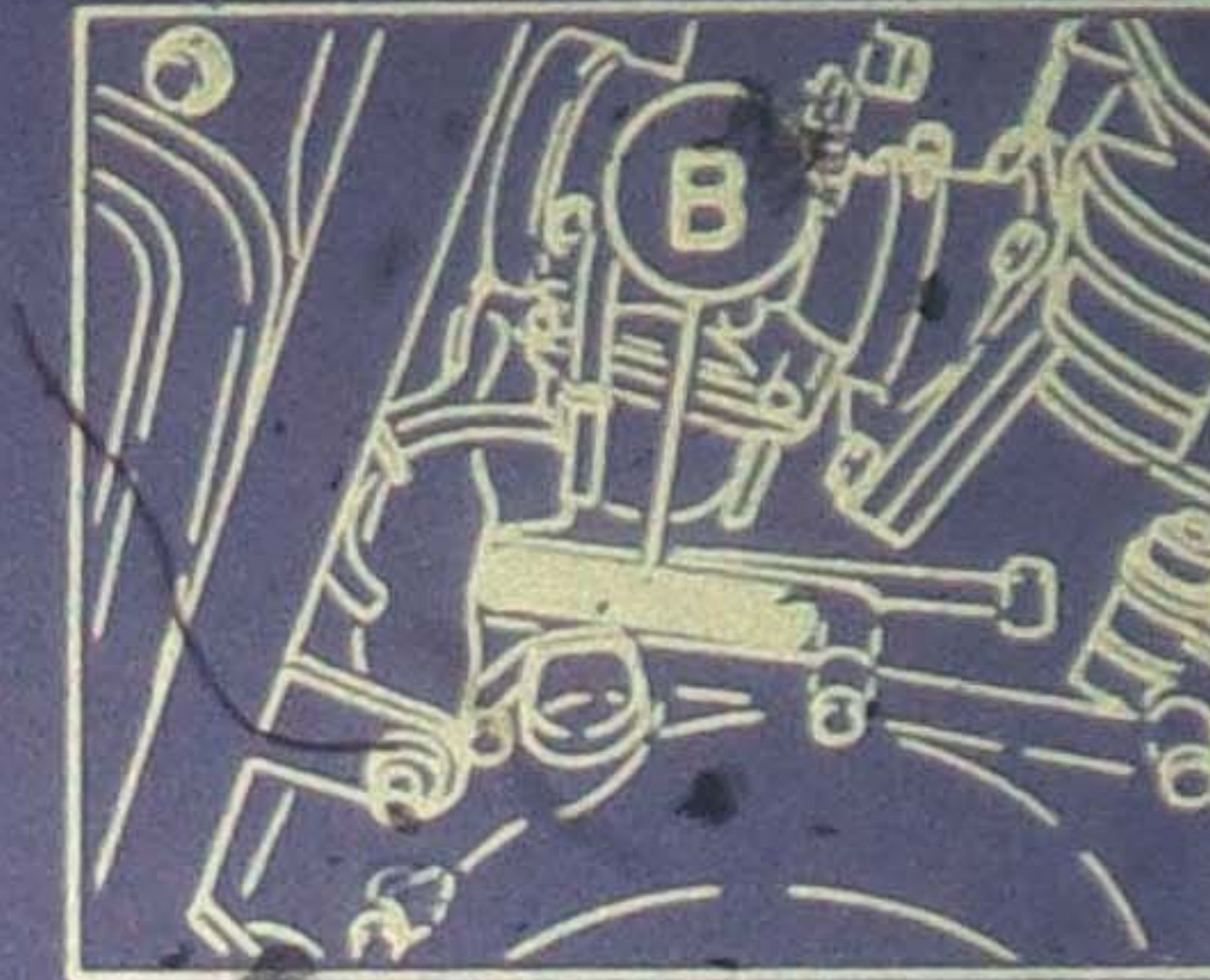
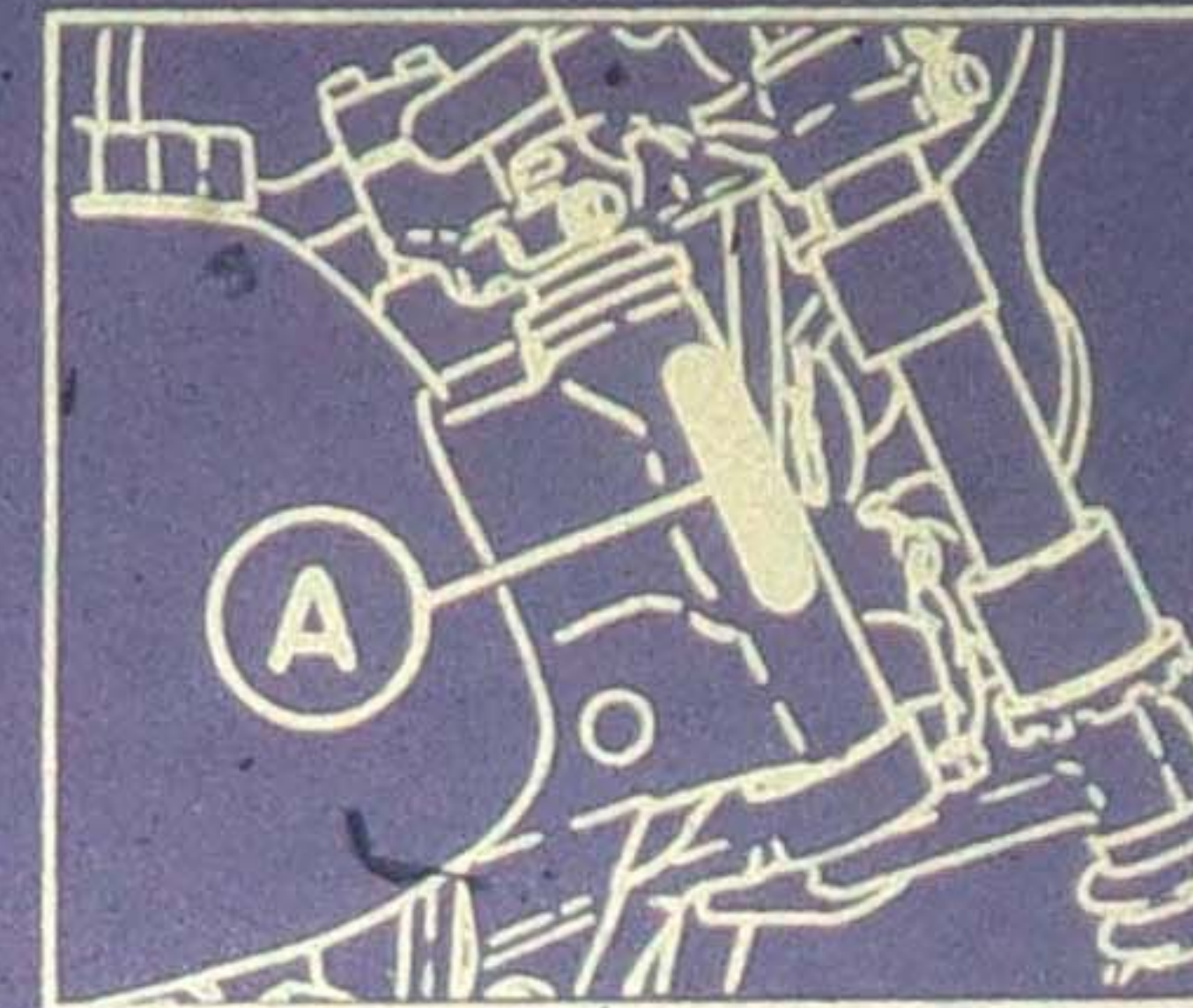
The numeral appearing to the right of each constituent part under the description indicates the quantity of such parts for each individual assembly unit.

EXAMPLE

Part No.	Description	Q'ty	Remarks
2F5-83310-60	FRONT FLASHER LIGHT ASS'Y	2	
115-83311-50	. BULB (6V-18W)	1	
1M1-83309-60	. REFLECTOR	1	

6. Initial Serial No. and Color Code

(A) Frame Serial No.	3W1-020101 and following
(B) Engine Serial No.	3W1-020101 and following



Color Code	Color Name	Abbreviate
	Sky Blue	

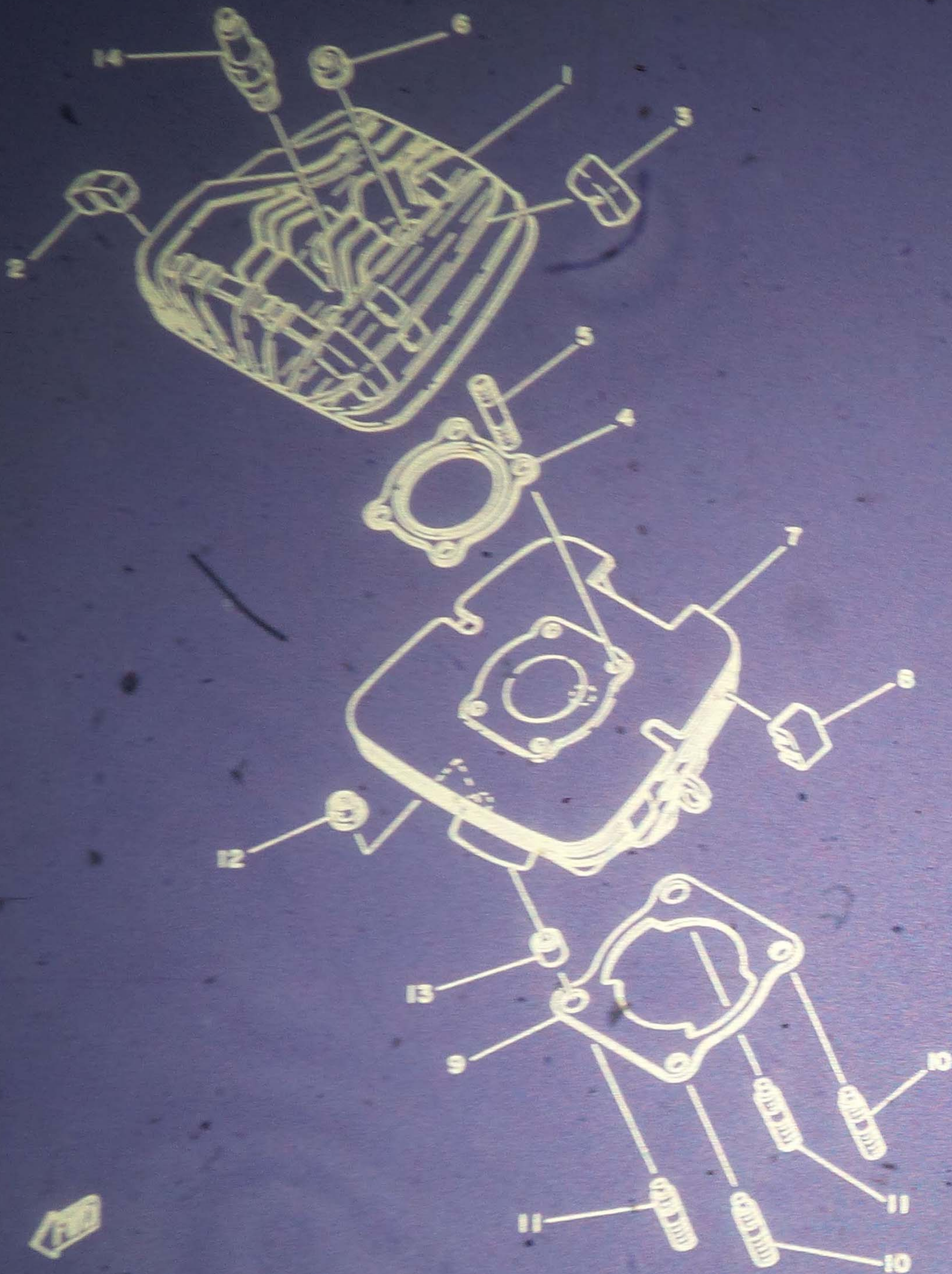
7. Applicable colors of graphics are represented in the "Remarks" column by the letter(s) appropriately picked out of the full word(s) showing such colors.

EXAMPLE

Part No.	Description	Q'ty	Remarks
2N4-24110-00-X5	FUEL TANK COMP.	1	MAXIM RED
3J1-24240-10	. GRAPHIC, fuel tank set	1	for MXR

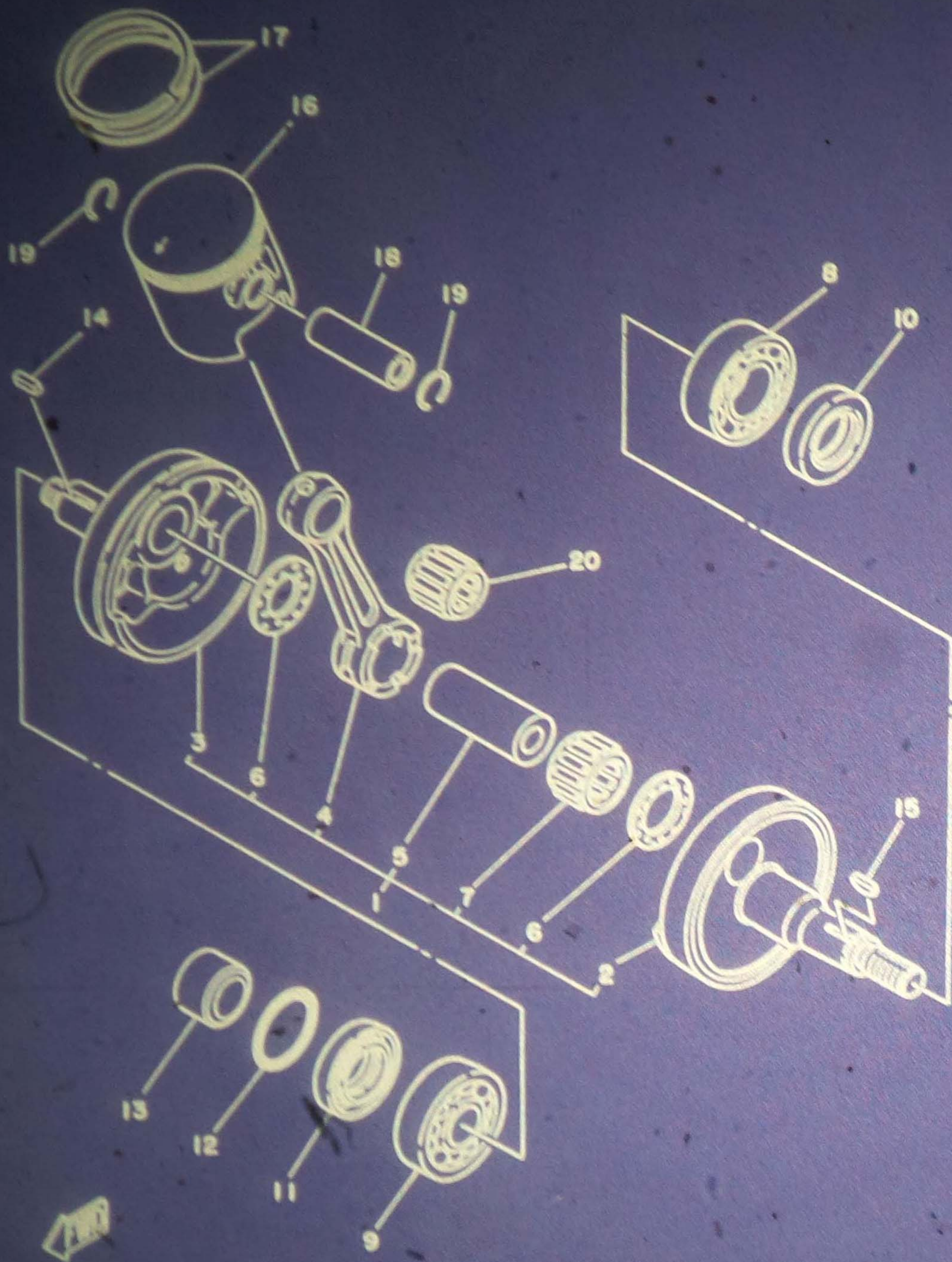
FIG. 1 CYLINDER

REF. NO.	PART NO.	DESCRIPTION	Q'TY	REMARKS
1	3R9-11111-00	HEAD, cylinder 1	1	
2	1W2-11161-00	ABSORBER 1	2	
3	1W2-11127-00	ABSORBER 3	1	
4	2X3-11181-00	GASKET, cylinder head 1	1	
5	90116-08321	BOLT, stud	4	
6	90179-08299	NUT	4	
7	3R9-11311-00	CYLINDER 1	1	
8	3R9-11162-00	ABSORBER 2	5	
9	1W1-11351-00	GASKET, cylinder	1	
10	90116-10278	BOLT, stud	2	
11	90116-10279	BOLT, stud	2	
12	90179-10272	NUT	4	
13	91830-24016	PIN, dowel	2	
14	*	PLUG, sPark (CHAMPION N2G)	1	LM



B2

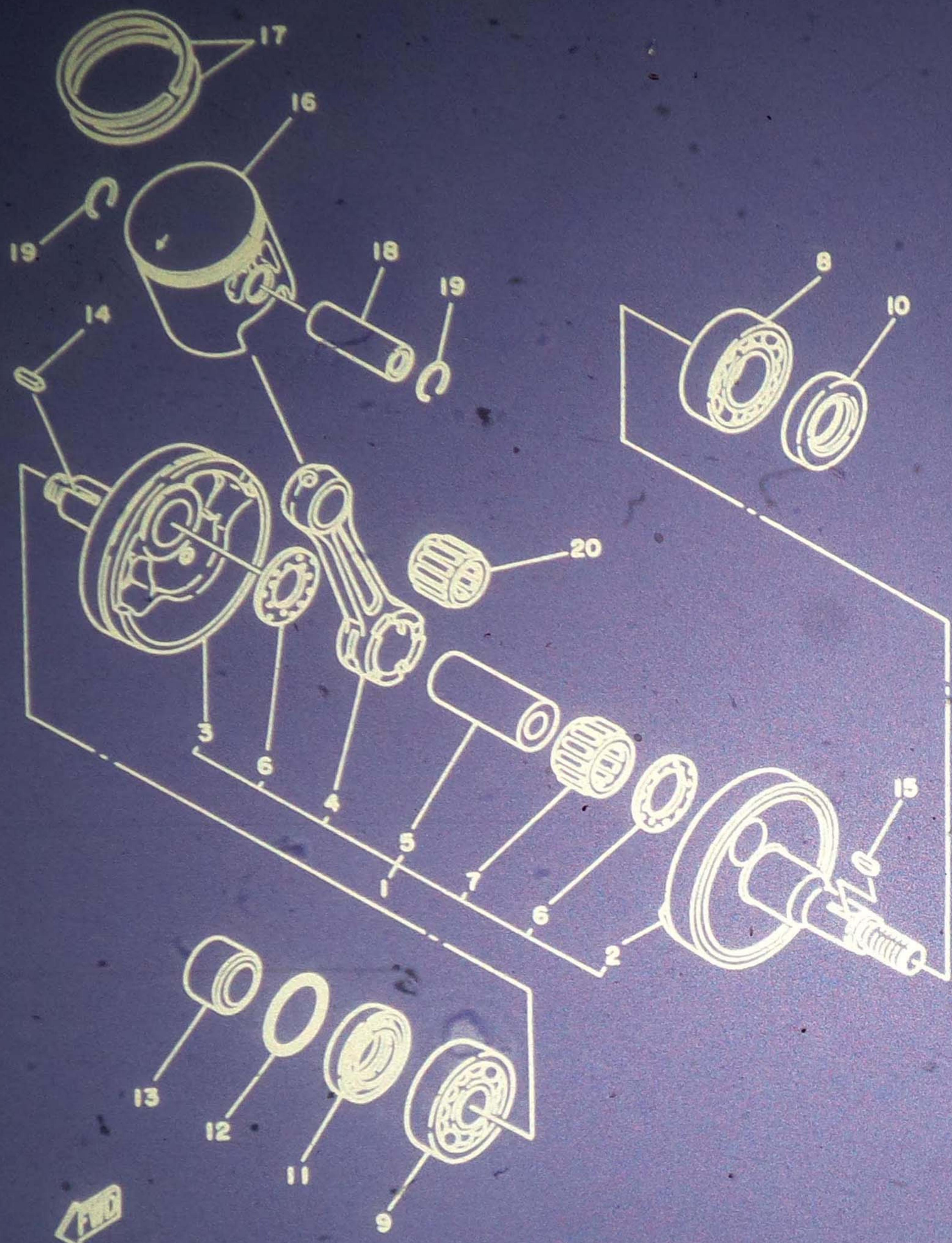
FIG. 2 CRANKSHAFT.PISTON



REF. NO.	PART NO.	DESCRIPTION	Q'TY	REMARKS
1	3R9-11400-00	CRANKSHAFT ASSY	1	
2	1W1-11412-01	.CRANK 1	1	
3	1W1-11422-01	.CRANK 2	1	
4	1G8-11651-00	.ROD, connecting	1	
5	3M5-11681-00	.PIN, crank 1	1	
6	90209-22071	.WASHER	2	
7	93310-422H0	.BEARING, cylindrical	1	
8	93306-20529	BEARING (B6205C4)	1	
9	93306-30406	BEARING (B6304C3)	1	
10	93102-25144	OIL SEAL	1	
11	93103-28100	OIL SEAL	1	
12	93210-18023	O-RING	1	
13	90387-20488	COLLAR	1	
14	90282-05005	KEY, straight	1	
15	90280-03017	KEY, woodruff	1	
16	3R9-11631-00-96	PISTON (STD)	1	UR
	3R9-11631-00-97	PISTON (STD)	1	UR
	3R9-11635-00	PISTON (1ST O/S 0.25MM)	1	AP
	3R9-11636-00	PISTON (2ND O/S 0.50MM)	1	AP
	3R9-11637-00	PISTON (3RD O/S 0.75MM)	1	AP
	3R9-11638-00	PISTON (4TH O/S 1.00MM)	1	AP
17	3R9-11610-00	PISTON RING SET (STD)	1	
	3R9-11610-10	PISTON RING SET (1ST O/S)	1	AP
	3R9-11610-20	PISTON RING SET (2ND O/S)	1	AP
	3R9-11610-30	PISTON RING SET (3RD O/S)	1	AP
	3R9-11610-40	PISTON RING SET (4TH O/S)	1	AP
18	137-11633-00	PIN, Piston	1	
19	93450-17044	CIRCLIP	2	

FIG. 2 CRANKSHAFT.PISTON

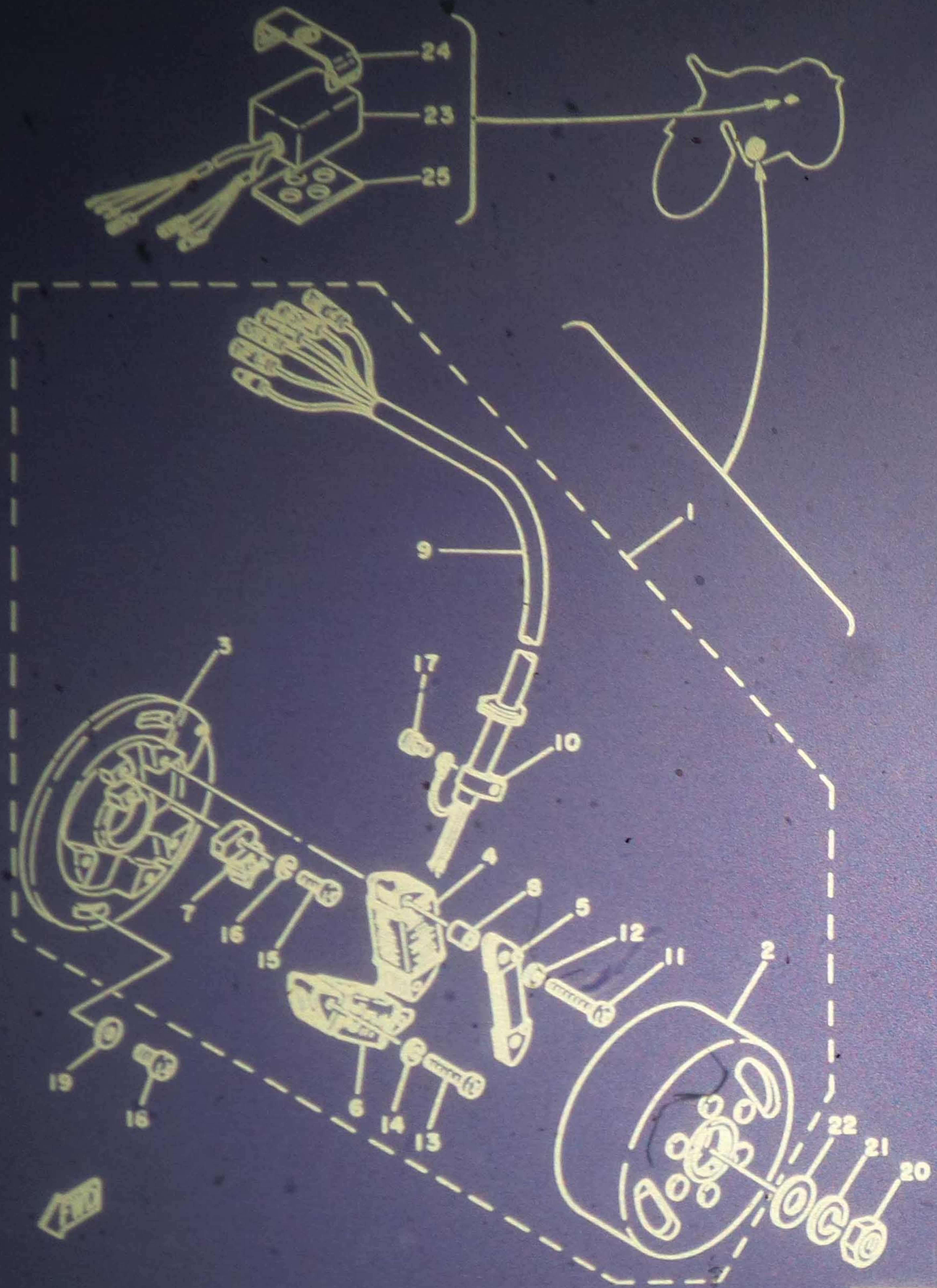
REF. NO.	PART NO.	DESCRIPTION	Q'TY	REMARKS
20	93310-216A3	BEARING, cylindrical	1	



B4

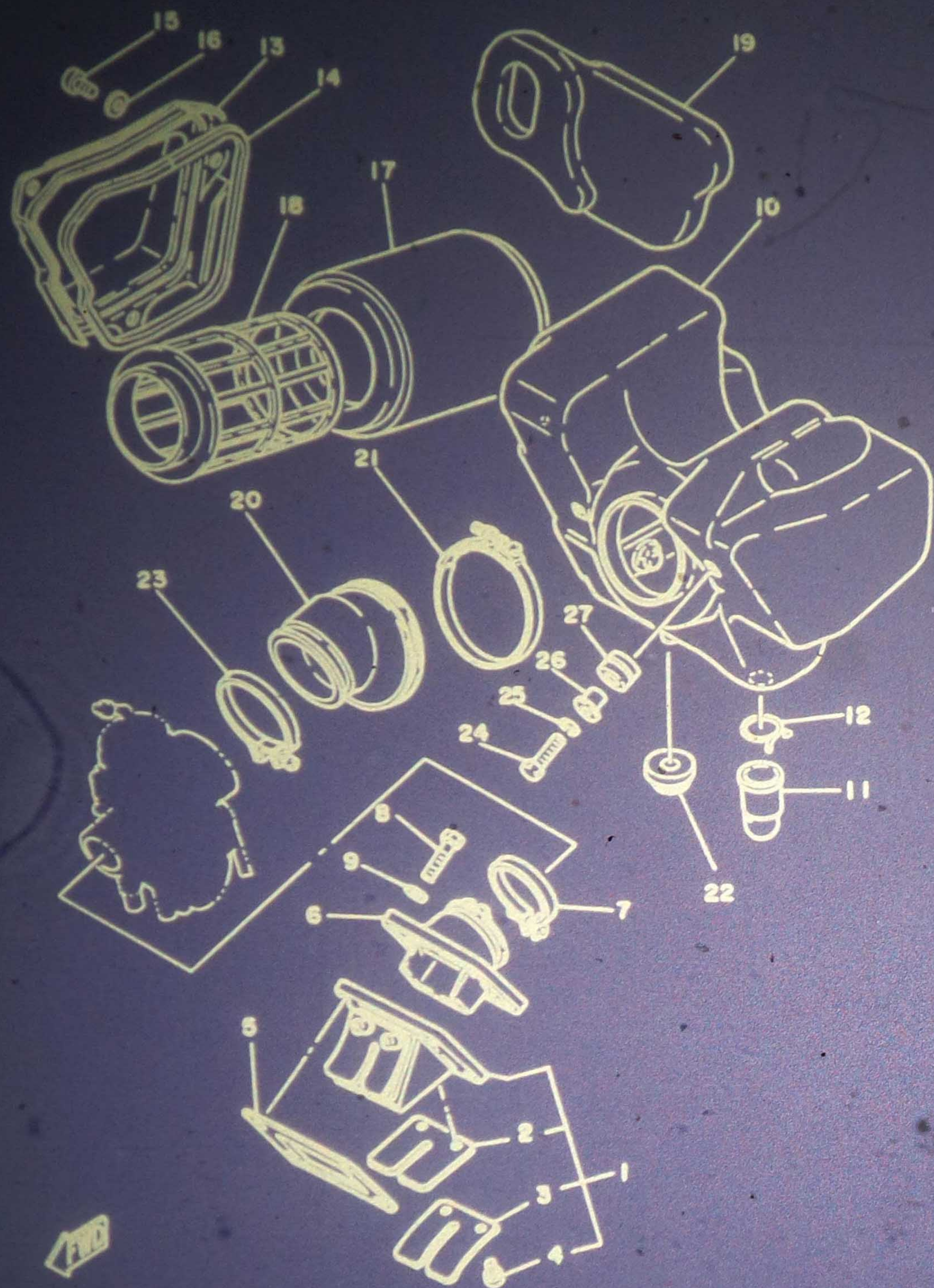
FIG. 3 C.D.I MAGNETO

REF. NO.	PART NO.	DESCRIPTION	Q'TY	REMARKS
1	3W1-85500-20	C.D.I. MAGNETO ASSY	1	
2	1W2-85550-20	.ROTOR ASSY	1	
3	1W2-85509-20	.BASE, magneto	1	
4	2W6-85511-20	.COIL, source	1	
5	2W6-85512-20	.COIL, source	1	
6	4J0-85513-20	.COIL, lighting 1	1	
7	2W6-85580-20	.COIL, Pulser	1	
8	1W2-85516-20	.SPACER	2	
9	3W1-85515-20	.LEAD WIRE ASSY	1	
10	445-81328-20	.CLAMP	1	
11	98501-04035	.SCREW, Pan head	2	
12	92901-04100	.WASHER, sPring	2	
13	98501-04030	.SCREW, Pan head	2	
14	92901-04100	.WASHER, sPring	2	
15	98501-04014	.SCREW, Pan head	2	
16	92901-04100	.WASHER, sPring	2	
17	110-81345-21	.SCREW, Pan head	1	
18	92501-06015	SCREW, Pan head	2	
19	92901-06600	WASHER, Plate	2	
20	90170-12067	NUT	1	
21	92901-12100	WASHER, sPring	1	
22	90201-12593	WASHER, Plate	1	
23	2W6-85540-20	C.D.I. UNIT ASSY	1	
24	288-21376-00	BAND, tool	1	
25	2K7-85547-00	DAMPER	1	



B5

FIG. 4 INTAKE

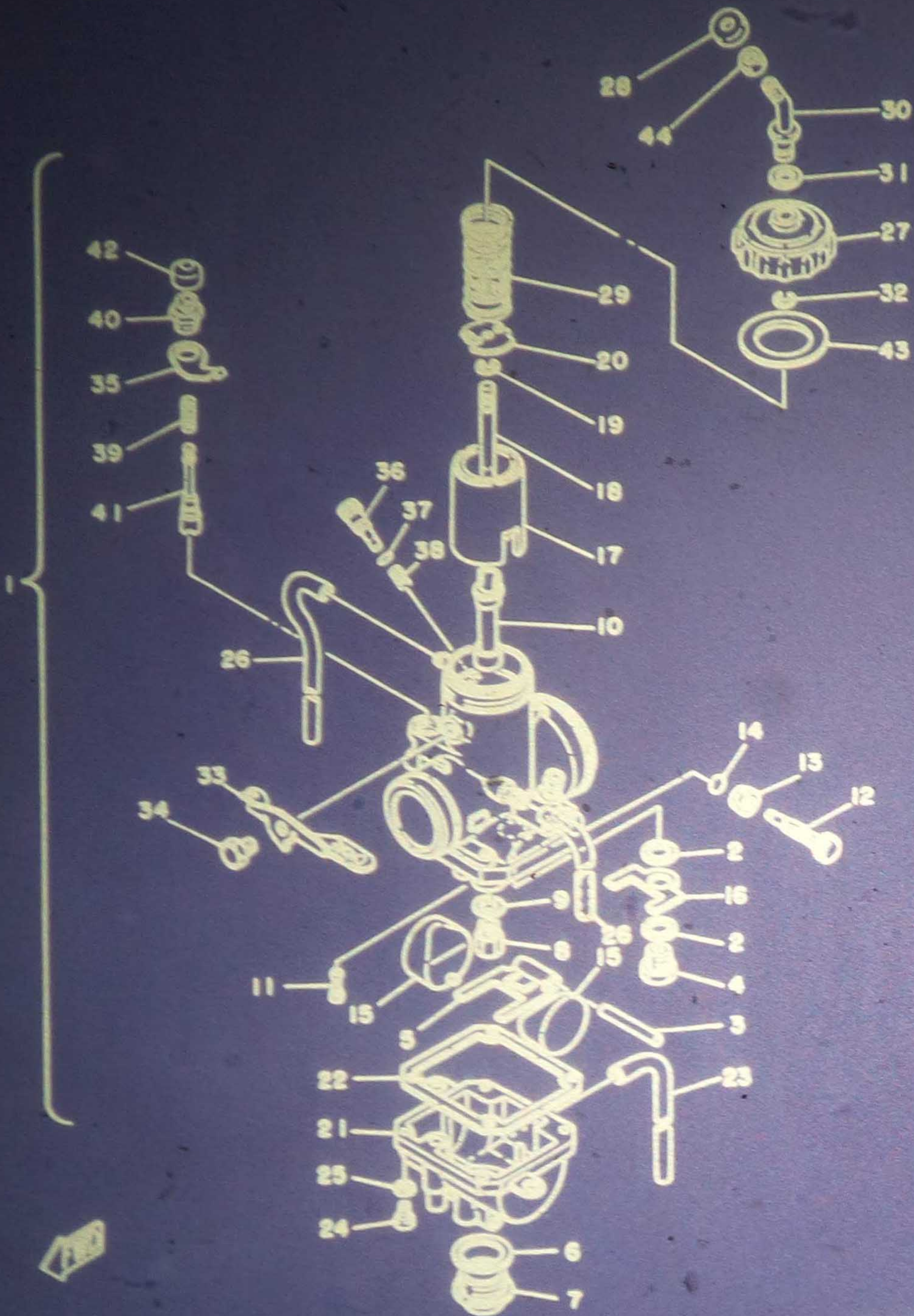


REF. NO.	PART NO.	DESCRIPTION	Q'TY	REMARKS
1	1L8-13610-00	REED VALVE ASSY	1	
2	1L8-13613-00	.REED, valve	2	
3	311-13616-01	.STOPPER, reed valve	2	
4	97602-03108	.SCREW, Pan head with washer	4	
5	311-13621-01	GASKET, valve seat	1	
6	537-13565-01	JOINT, carburetor	1	
7	90460-43053	CLAMP, hose	1	
8	97301-06025	BOLT	4	
9	92901-06600	WASHER, Plate	4	
10	3R9-14401-00	AIR CLEANER CASE ASSY	1	
11	1W4-14457-00	SEAL	1	
12	90467-20030	CLIP	1	
13	3R9-14412-00	CAP, cleaner case 1	1	
14	3R9-14452-00	SEAL	1	
15	92501-06012	SCREW, Pan head	3	
16	92901-06600	WASHER, Plate	3	
17	3R9-14451-00	ELEMENT, air cleaner	1	
18	3R9-14458-00	GUIDE	1	
19	3R9-14468-00	PLATE, element fitting	1	
20	3R9-14453-00	JOINT, air cleaner 1	1	
21	90460-75020	CLAMP, hose	1	
22	90460-18171	GROMMET	1	
23	90460-54125	CLAMP, hose	1	
24	97301-06020	BOLT	2	
25	92901-06100	WASHER, spring	2	
26	90337-07391	COLLAR	2	
27	90480-14102	GROMMET	2	

B6

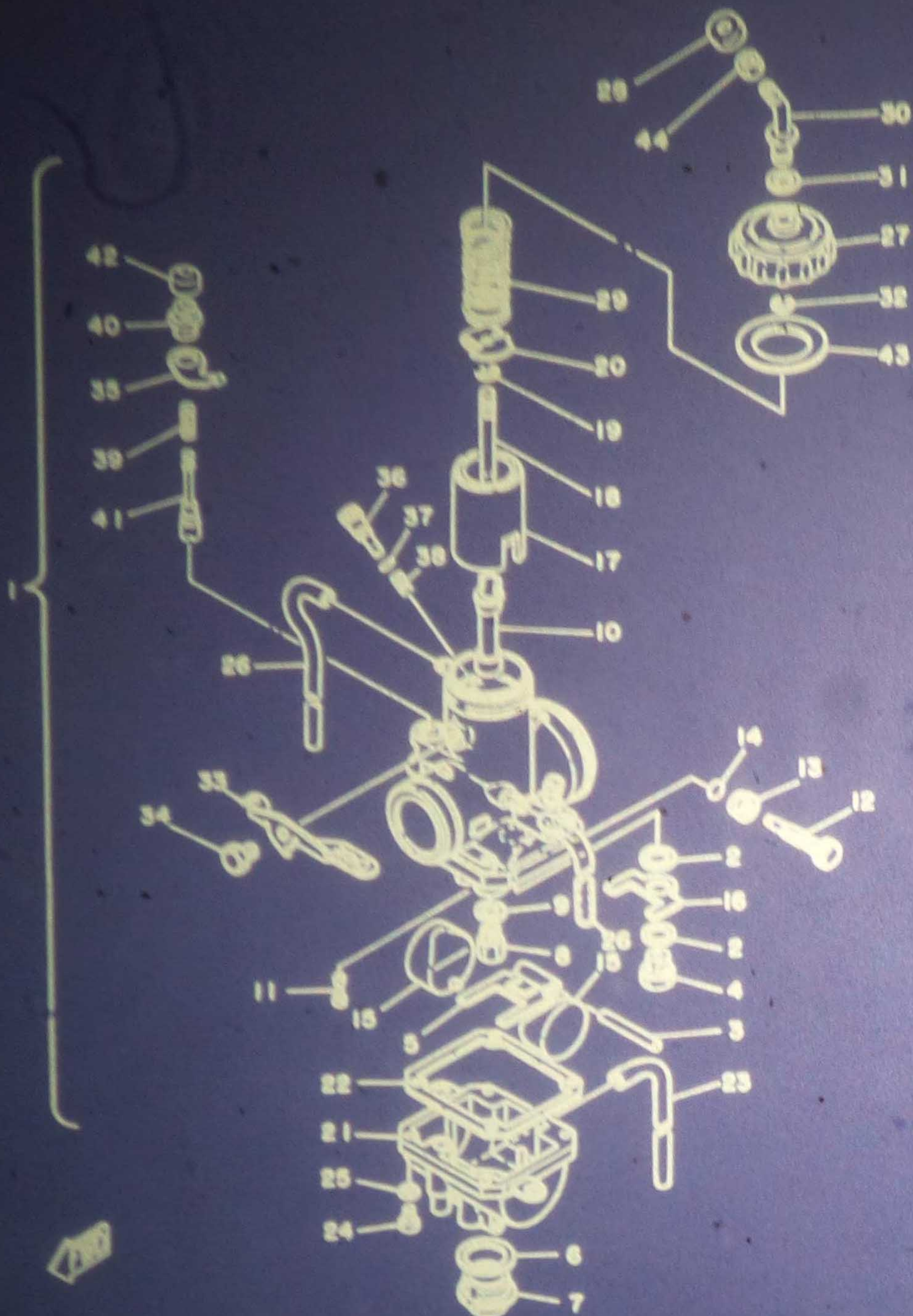
FIG. 5 CARBURETOR

REF. NO.	PART NO.	DESCRIPTION	Q'TY	REMARKS
1	3R9-14101-00	CARBURETOR ASSY 1	1	
2	214-14195-00	.WASHER, needle valve	2	
3	537-14186-00	.PIN, float	1	
4	168-14190-28	.NEEDLE VALVE ASSY	1	
5	2K5-14187-00	.ARM, float	1	
6	278-14117-00	.WASHER, Plug screw	1	
7	537-14115-00	.PLUG, screw	1	
8	137-14143-40	.JET, main (#200)	1	UR STD
	137-14143-38	.JET, main (#190)	1	UR
	137-14143-42	.JET, main (#210)	1	UR
9	537-14153-00	.WASHER, main Jet	1	
10	278-14141-52	.NOZZLE, main	1	
11	193-14142-40	.JET, Pilot (#40.0)	1	
12	537-14122-00	.SCREW, throttle	1	
13	537-14161-00	.NUT, throttle screw	1	
14	214-14147-00	.O-RING	1	
15	280-14185-00	.FLOAT	2	
16	537-14146-00	.PLATE	1	
17	537-14112-20	.VALVE, throttle 1	1	
18	1J4-14116-19	.NEEDLE	1	
19	164-14137-00	.CLIP	1	
20	537-14136-00	.SEAT, sPrinG	1	
21	537-14181-16	.BODY, float chamber 1	1	
22	537-14184-00	.GASKET, float chamber	1	
23	183-14197-01	.PIPE	1	
24	98501-04016	.SCREW, Pan head	4	
25	92902-04100	.WASHER, sPrinG	4	
26	310-14196-00	.PIPE	2	



B7

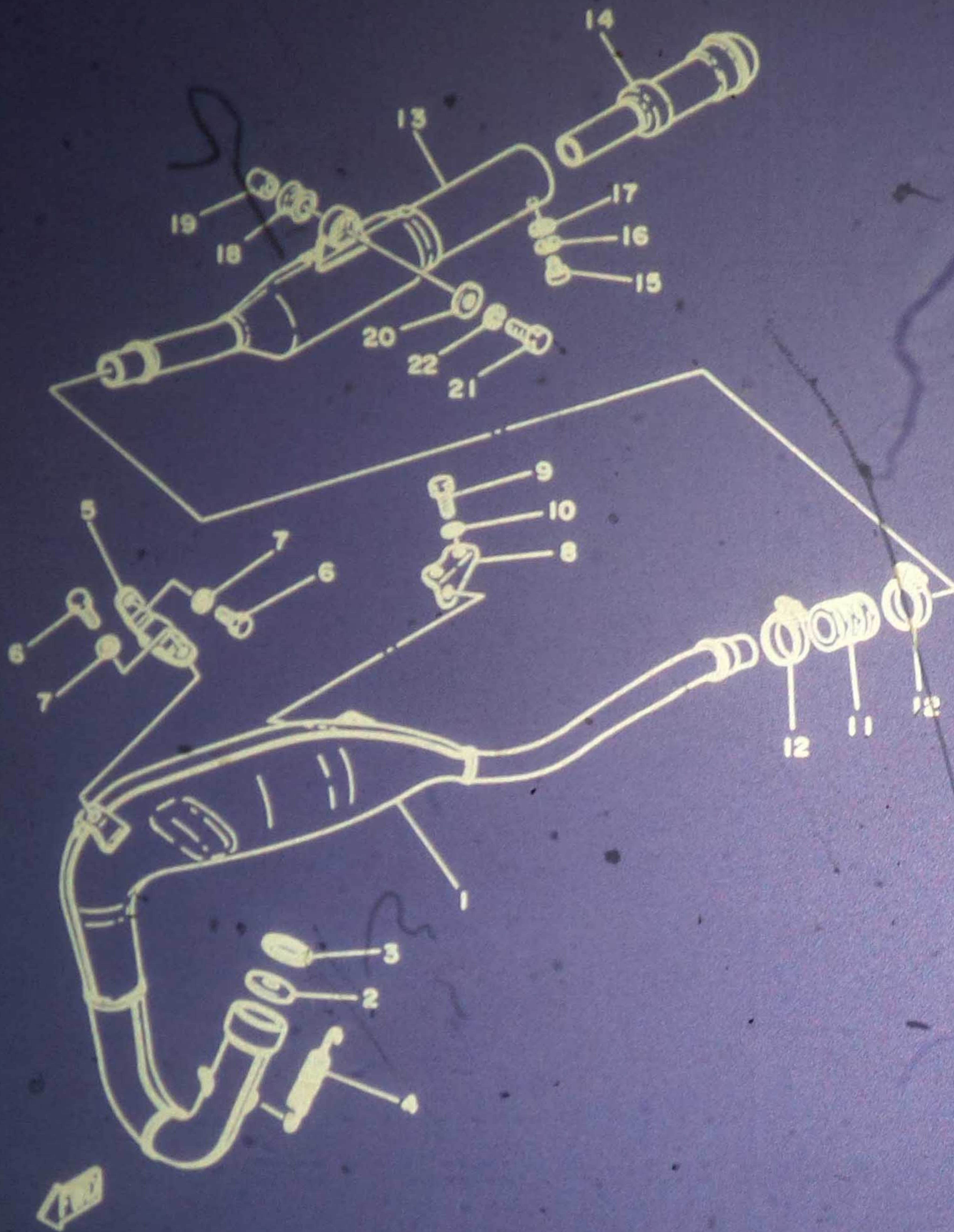
FIG. 5 CARBURETOR



REF. NO.	PART NO.	DESCRIPTION	Q'TY	REMARKS
27	2K5-14158-00	•TOP, mixing chamber	1	
28	1M1-14169-00	•CAP	1	
29	537-14131-00	•SPRING, throttle valve	1	
30	2K5-14155-00	•HOLDER, Guide	1	
31	363-14198-00	•GASKET	1	
32	363-14137-00	•CLIP	1	
33	537-14175-00	•LEVER, starter 1	1	
34	537-14162-00	•BOLT, starter lever	1	
35	537-14178-00	•PLATE, starter lever	1	
36	525-14123-00	•SCREW, air adjusting	1	
37	354-14147-00	•O-RING	1	
38	174-14134-00	•SPRING, air adjusting	1	
39	500-14135-00	•SPRING, Plunger	1	
40	802-14174-00	•CAP, Plunger	1	
41	174-14171-00	•PLUNGER, starter	1	
42	802-14173-00	•COVER, Plunger cap	1	
43	2K5-14198-00	•GASKET	1	
44	127-14161-00	•NUT, cable adjusting	1	

Bs

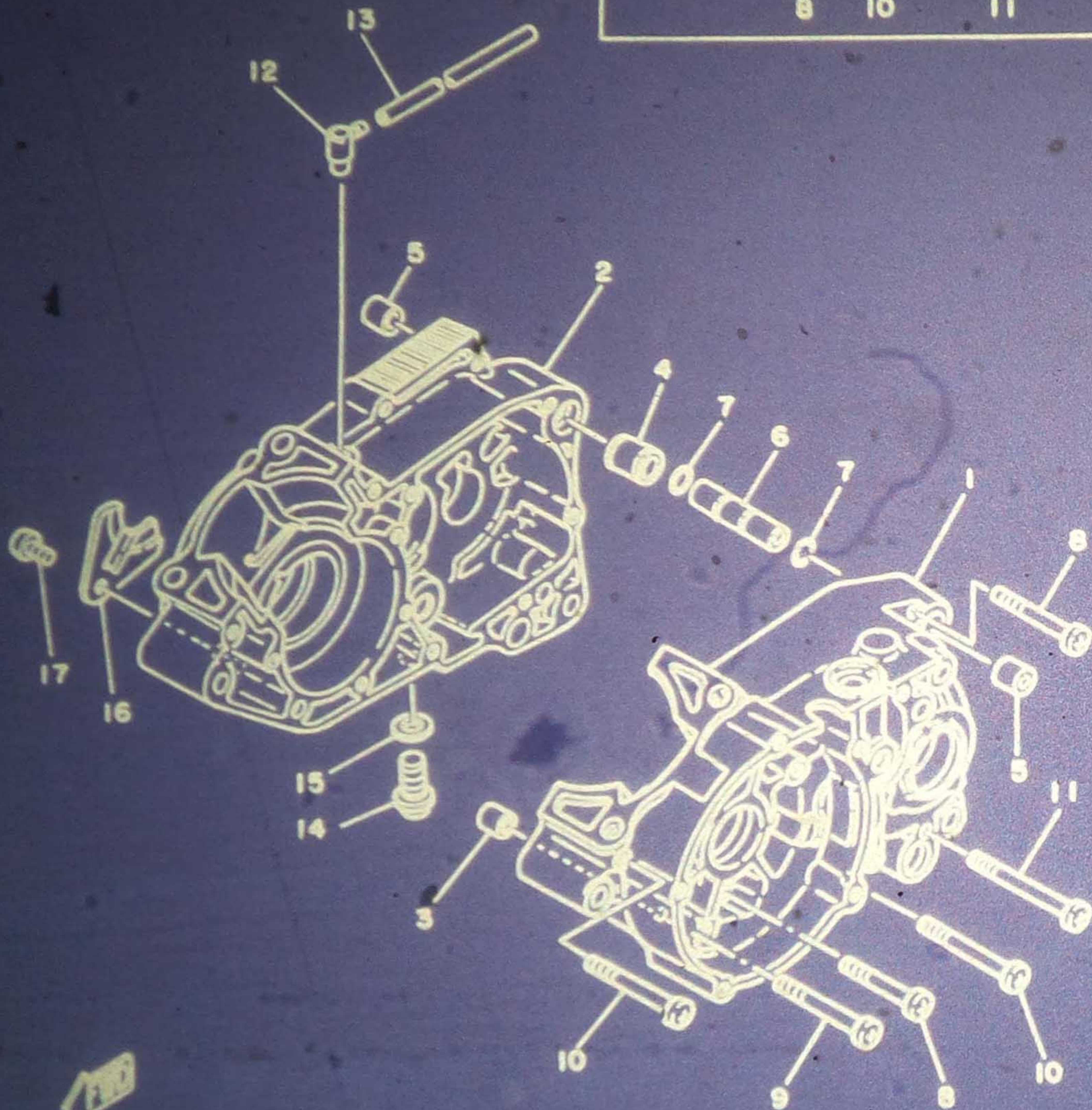
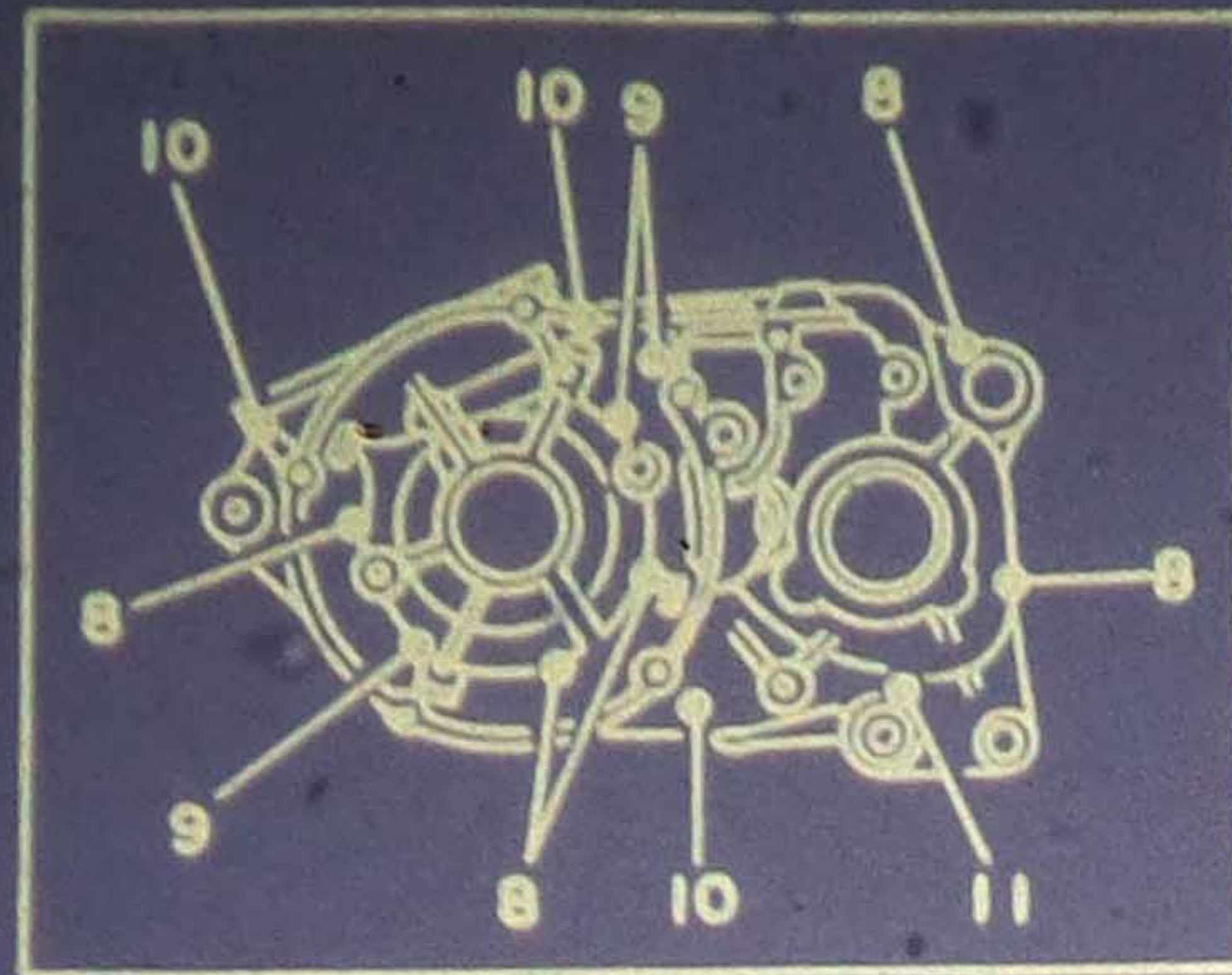
FIG. 6 EXHAUST



REF. NO.	PART NO.	DESCRIPTION	Q'TY	REMARKS
1	3R9-14610-00	EXHAUST PIPE ASSY 1	1	
2	3W1-14617-00	WASHER	1	
3	3R3-14613-00	GASKET, exhaust Pipe	1	
4	90507-20030	SPRING, tension	2	
5	1M1-14772-00	STAY, muffler 2	1	
6	97301-06012	BOLT	2	
7	92901-06600	WASHER, Plate	2	
8	565-14771-00	STAY, muffler 1	1	
9	97301-06012	BOLT	2	
10	92901-06600	WASHER, Plate	2	
11	1W2-14714-00	GASKET, muffler	1	
12	90460-37026	CLAMP, hose	2	
13	2A6-14753-00	SILENCER, exhaust	1	
14	1M1-14752-01	PIPE, outlet	1	
15	92501-06012	SCREW, Pan head	1	
16	92901-06100	WASHER, sPring	1	
17	92901-06600	WASHER, Plate	1	
18	565-14747-00	DAMPER, muffler	1	
19	90387-08258	COLLAR	1	
20	90201-08114	WASHER, Plate	1	
21	97301-08030	BOLT	1	
22	92901-08100	WASHER, sPring	1	

B9

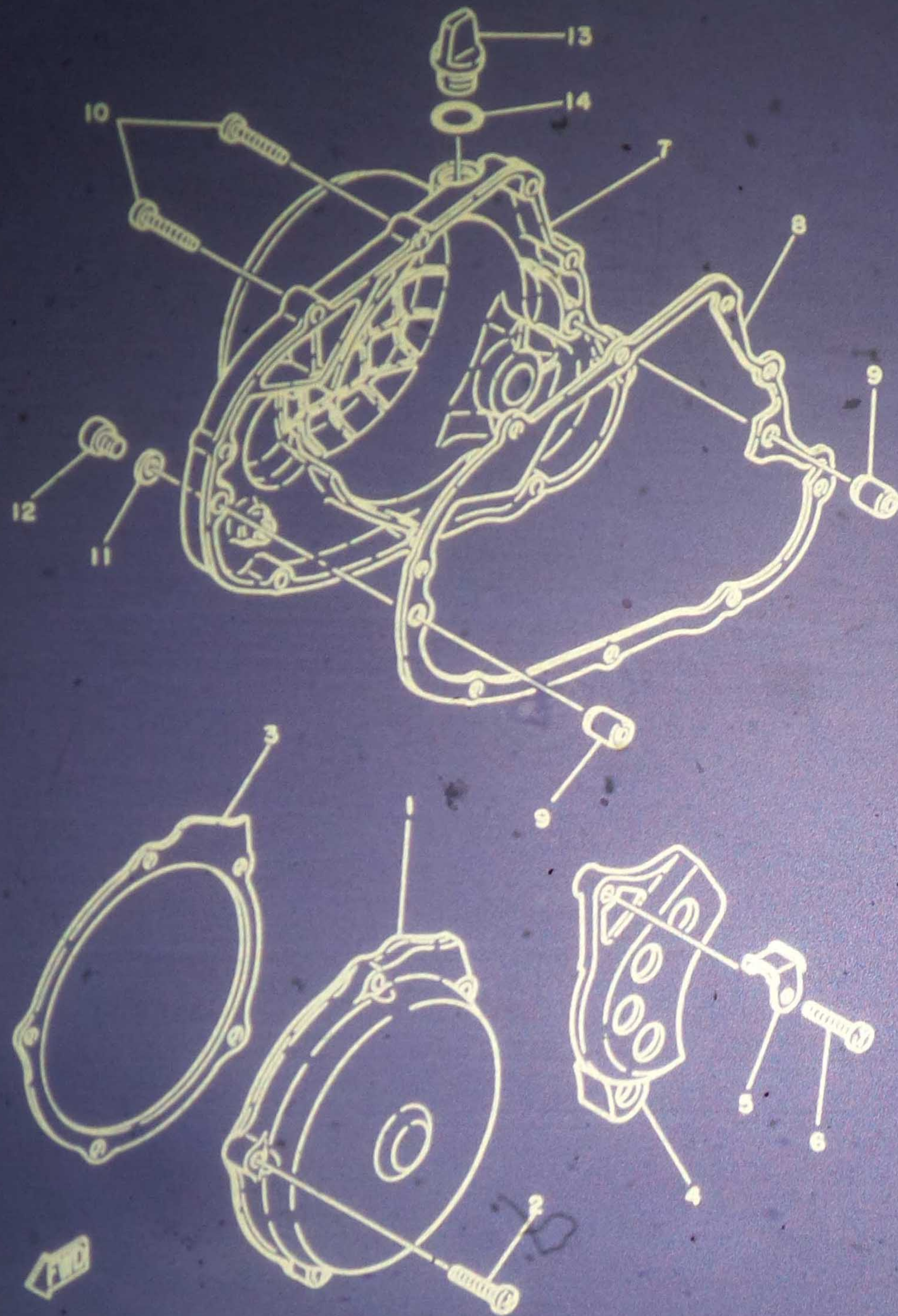
FIG. 7 CRANKCASE



REF. NO.	PART NO.	DESCRIPTION	Q'TY	REMARKS
1	1W1-15111-02	CRANKCASE 1	1	
2	1W1-15121-02	CRANKCASE 2	1	
3	91810-02014	PIN, dowel	1	
4	91810-19020	PIN, dowel	1	
5	5V7-21486-01	DAMPER 2	2	
6	401-15317-00	SPACER, engine mount	1	
7	93210-11073	O-RING	2	
8	92506-06050	SCREW, Pan head	5	
9	92506-06060	SCREW, Pan head	3	
10	92506-06070	SCREW, Pan head	3	
11	92506-06075	SCREW, Pan head	1	
12	2N4-15371-00	BREATHER	1	
13	90445-07371	HOSE	1	
14	90340-12005	PLUG, straight screw	1	
15	90430-12038	GASKET	1	
16	304-15128-00	HOLDER	1	
17	92501-08010	SCREW, Pan head	1	

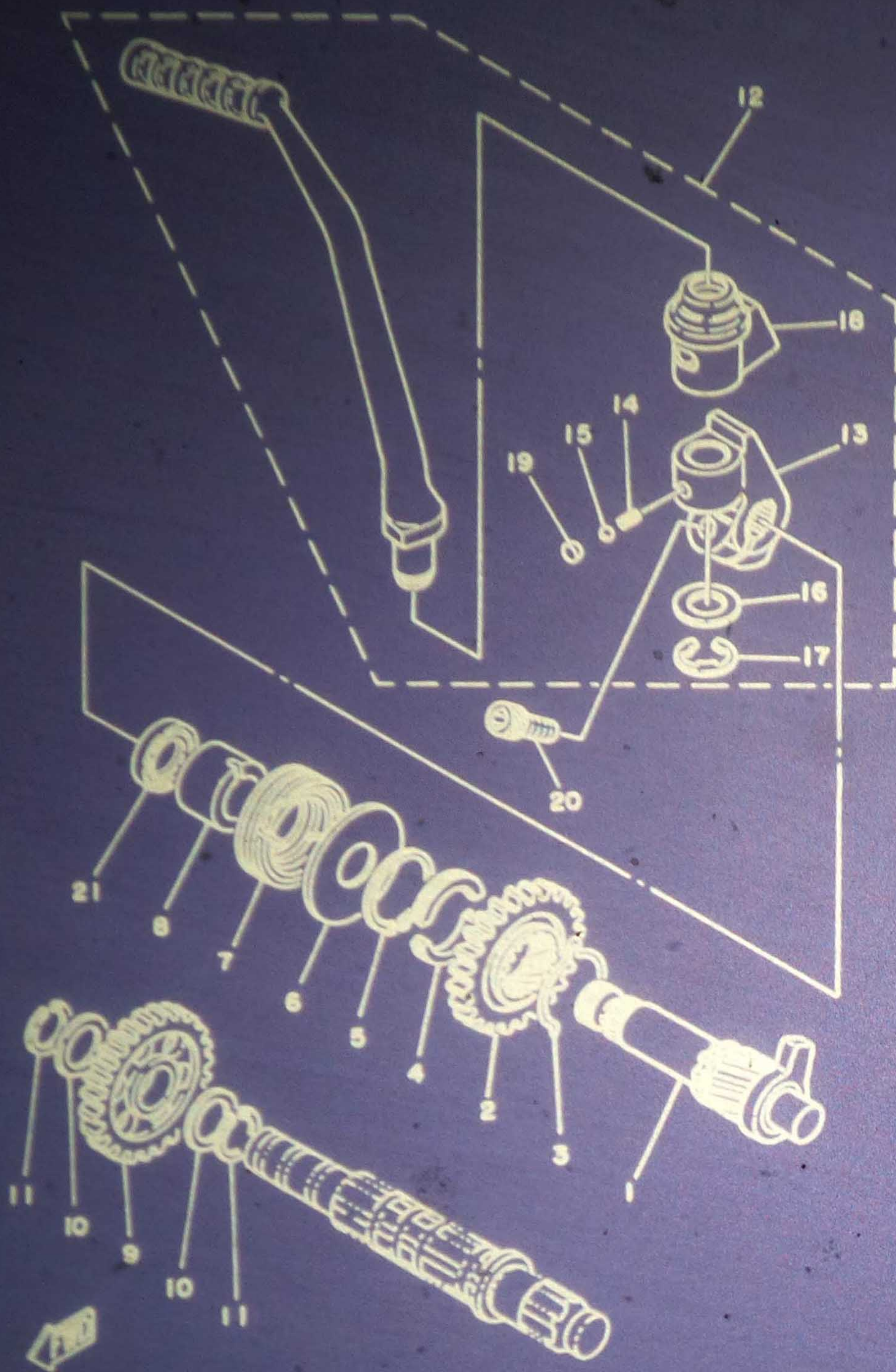
B10

FIG. 8 CRANKCASE COVER



REF. NO.	PART NO.	DESCRIPTION	Q'TY	REMARKS
1	1W1-15411-00	COVER, crankcase 1	1	
2	92506-06025	SCREW, Pan head	5	
3	1W1-15455-00	GASKET, crankcase cover	1	
4	2W5-15421-00	COVER, crankcase 2	1	
5	2A6-15484-00	CLAMP 2	1	
6	92506-06025	SCREW, Pan head	1	
7	1W1-15431-00	COVER, crankcase 3	1	
8	1W1-15451-00	GASKET, crankcase cover	1	
9	91810-02014	PIN, dowel	2	
10	92506-06030	SCREW, Pan head	9	
11	90430-06016	GASKET	1	
12	92506-06008	SCREW, Pan head	1	
13	1G8-15362-00	PLUG, oil level	1	
14	93210-14104	O-RING	1	

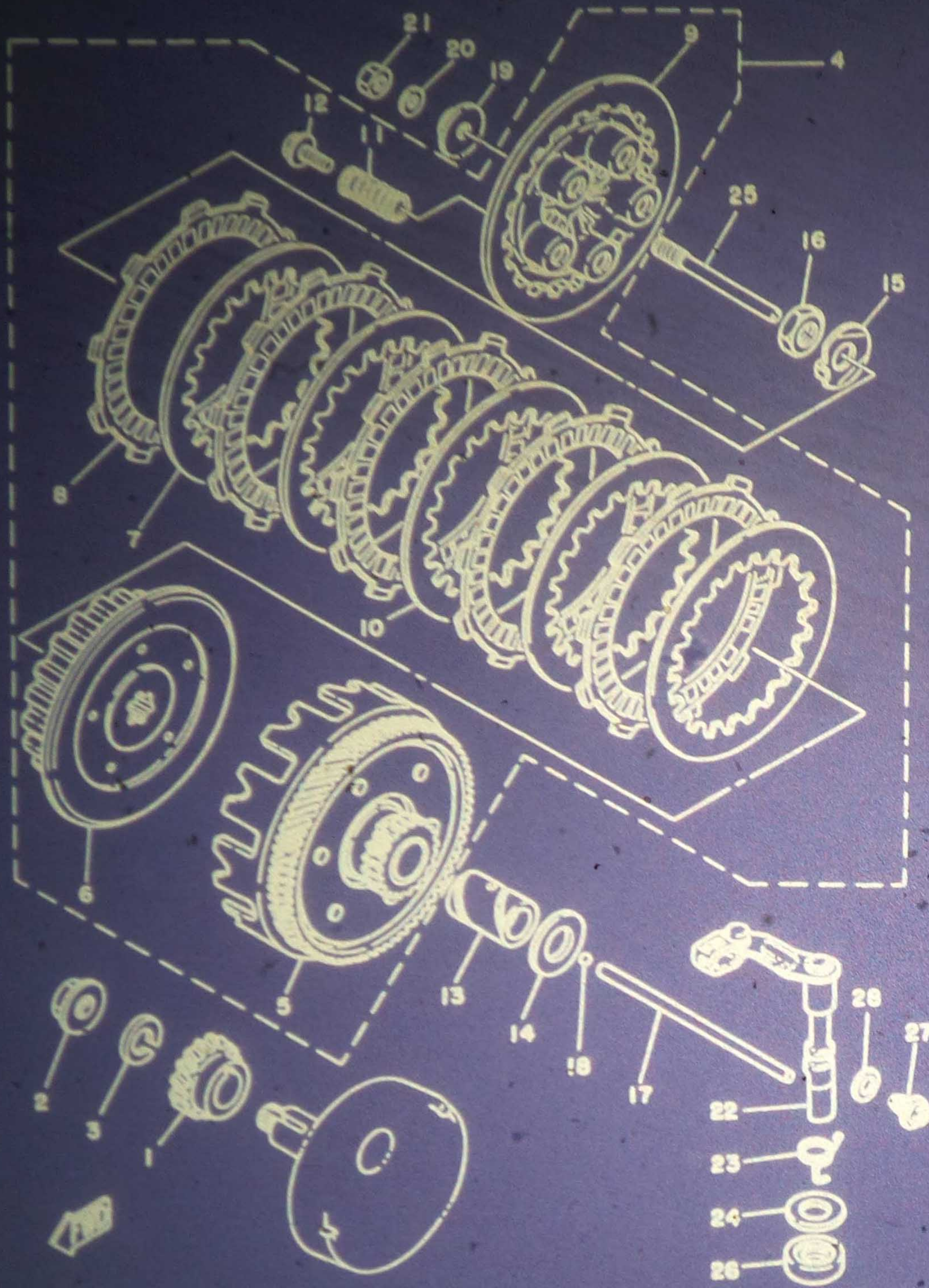
FIG. 9 KICK STARTER



REF. NO.	PART NO.	DESCRIPTION	Q'TY	REMARKS
1	2A6-15660-00	KICK AXLE ASSY	1	
2	1W1-15641-00	GEAR, kick (27T)	1	
3	90468-26048	CLIP	1	
4	248-15654-00	HOLDER, kick Gear	2	
5	93410-30012	CIRCLIP	1	
6	401-15676-00	COVER, spring	1	
7	90508-26346	SPRING, torsion	1	
8	1W1-15666-00	SPACER	1	
9	525-15651-00	GEAR, kick idle (25T)	1	
10	137-17417-00-05	SHIM (0.5T)	2	
11	93440-15012	CIRCLIP	2	
12	1W1-15620-01	KICK CRANK ASSY	1	
13	1W1-15621-01	•BOSS, kick crank	1	
14	90501-10459	•SPRING, compression	1	
15	93503-16010	•BALL	1	
16	90201-12541	•WASHER, Plate	1	
17	93430-08007	•CIRCLIP	1	
18	1W1-15618-01	•COVER, kick lever	1	
19	90336-06030	•PLUG, taper	1	
20	91316-08025	BOLT	1	
21	93101-17062	OIL SEAL	1	

B12

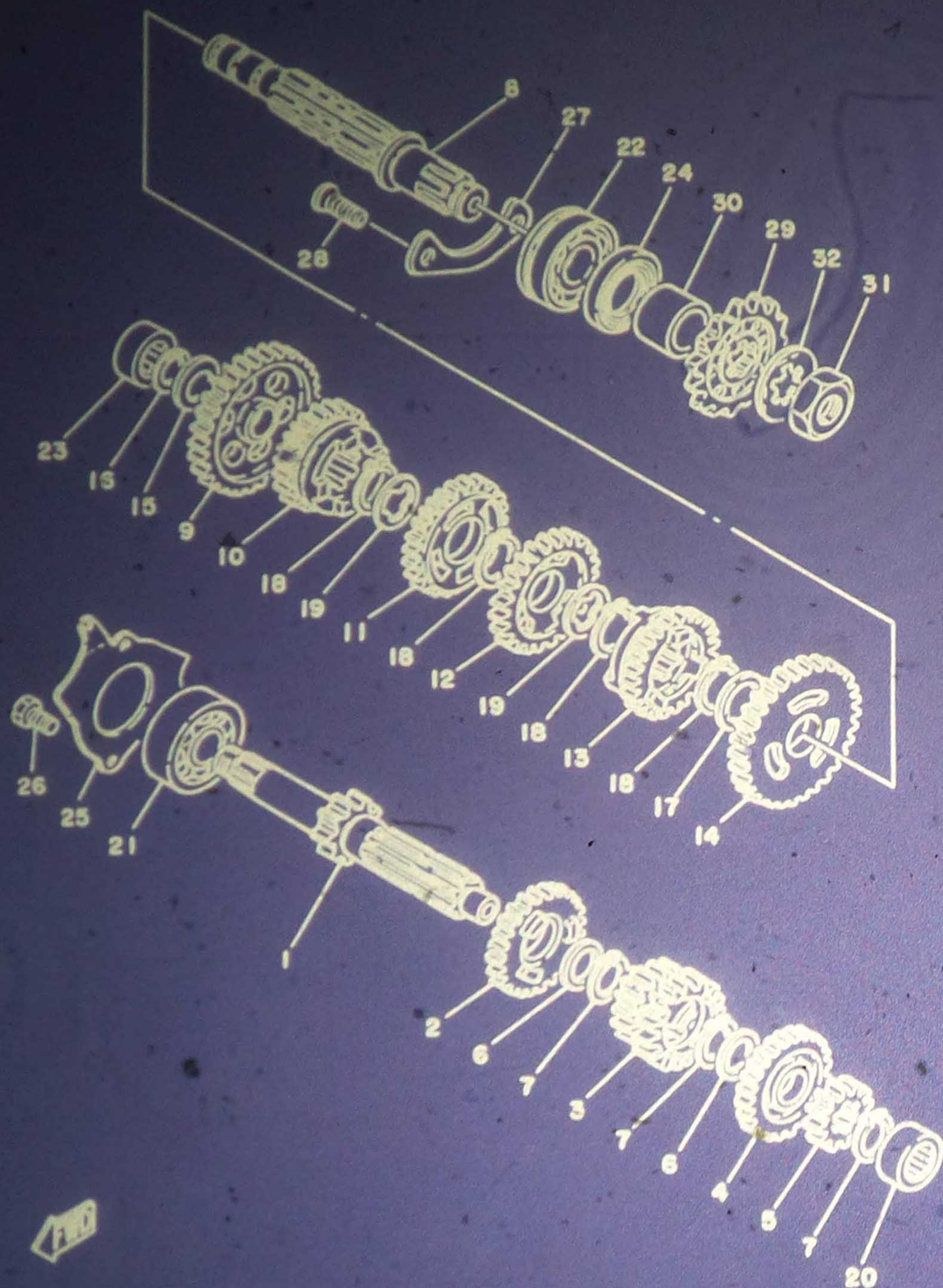
FIG. 10 CLUTCH



REF. NO.	PART NO.	DESCRIPTION	Q'TY	REMARKS
1	1W1-16111-00	GEAR, Primary drive (22T)	1	
2	90179-12244	NUT	1	
3	90204-12007	WASHER, sPrInG	1	
4	2X3-16300-00	CLUTCH ASSY	1	
5	1W1-16150-01	.PRIMARY DRIVEN GEAR COMP.(71T)	1	
6	1G8-16371-00	.BOSS, clutch	1	
7	137-16325-00	.PLATE, clutch 2	4	
8	537-16321-00	.PLATE, friction	5	
9	1W1-16351-00	.PLATE, Pressure 1	1	
10	137-16325-70	.PLATE, clutch 2	1	
11	90501-20122	.SPRING, comPrEssion	5	
12	90159-05011	.SCREW, with washer	5	
13	90560-17147	SPACER	1	
14	90201-17550	WASHER, Plate	2	
15	90215-14144	WASHER, lock	1	
16	90170-14171	NUT	1	
17	2X3-16357-00	ROD, Push 2	1	
18	93503-16010	BALL	1	
19	1W1-16358-00	PLATE, Push	1	
20	92901-06200	WASHER, Plain	1	
21	95301-06600	NUT	1	
22	2X3-16380-00	PUSH LEVER ASSY	1	
23	90508-20345	SPRING, torsion	1	
24	90201-14217	WASHER, Plate	1	
25	1W1-16356-00	ROD, Push 1	1	
26	93104-14004	OIL SEAL	1	
27	90149-08108	SCREW	1	
28	90430-08069	GASKET	1	

B13

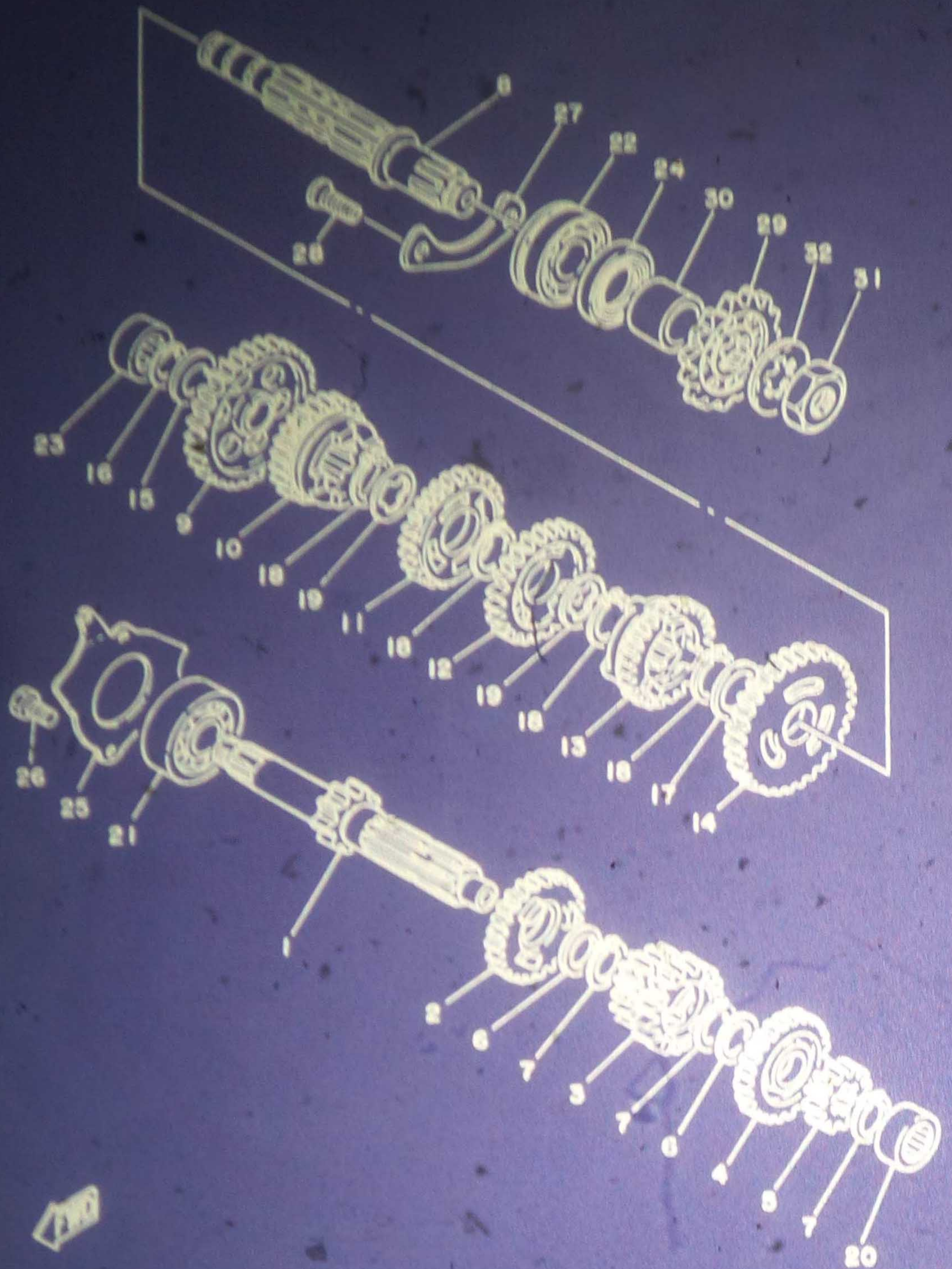
FIG. 11 TRANSMISSION



REF. NO.	PART NO.	DESCRIPTION	Q'TY	REMARKS
1	1W2-17411-00	AXLE, main (11T)	1	
2	1W2-17151-00	GEAR, 5th Pinion (23T)	1	
3	2W6-17131-01	GEAR, 3rd/4th Pinion (18T/21T)	1	
4	1W2-17161-00	GEAR, 6th Pinion (25T)	1	
5	1W2-17121-00	GEAR, 2nd Pinion (15T)	1	
6	90201-20266	WASHER, Plate	2	
7	93410-20038	CIRCLIP	3	
8	1W1-17421-00	AXLE, drive	1	
9	1W2-17211-01	GEAR, 1st wheel (34T)	1	
10	2W6-17251-01	GEAR, 5th wheel (23T)	1	
11	2W6-17231-01	GEAR, 3rd wheel (27T)	1	
12	1W2-17241-00	GEAR, 4th wheel (25T)	1	
13	1W2-17261-00	GEAR, 6th wheel (21T)	1	
14	1W2-17221-01	GEAR, 2nd wheel (31T)	1	
15	90201-15701	WASHER, Plate (1.0T)	1	
16	93440-15012	CIRCLIP	1	
17	90201-22555	WASHER, Plate	1	
18	93410-22039	CIRCLIP	4	
19	90209-18135	WASHER	2	
20	93311-41530	BEARING, cylindrical	1	
21	93306-30303	BEARING (B63032)	1	
22	93306-30411	BEARING (B6304)	1	
23	93311-31515	BEARING, cylindrical	1	
24	93102-26042	OIL SEAL	1	
25	1W1-17471-01	PLATE, cover	1	
26	97321-06012	BOLT	2	
27	1W1-15381-00	PLATE, bearing cover	1	
28	92701-06012	SCREW, flat head	2	

B14

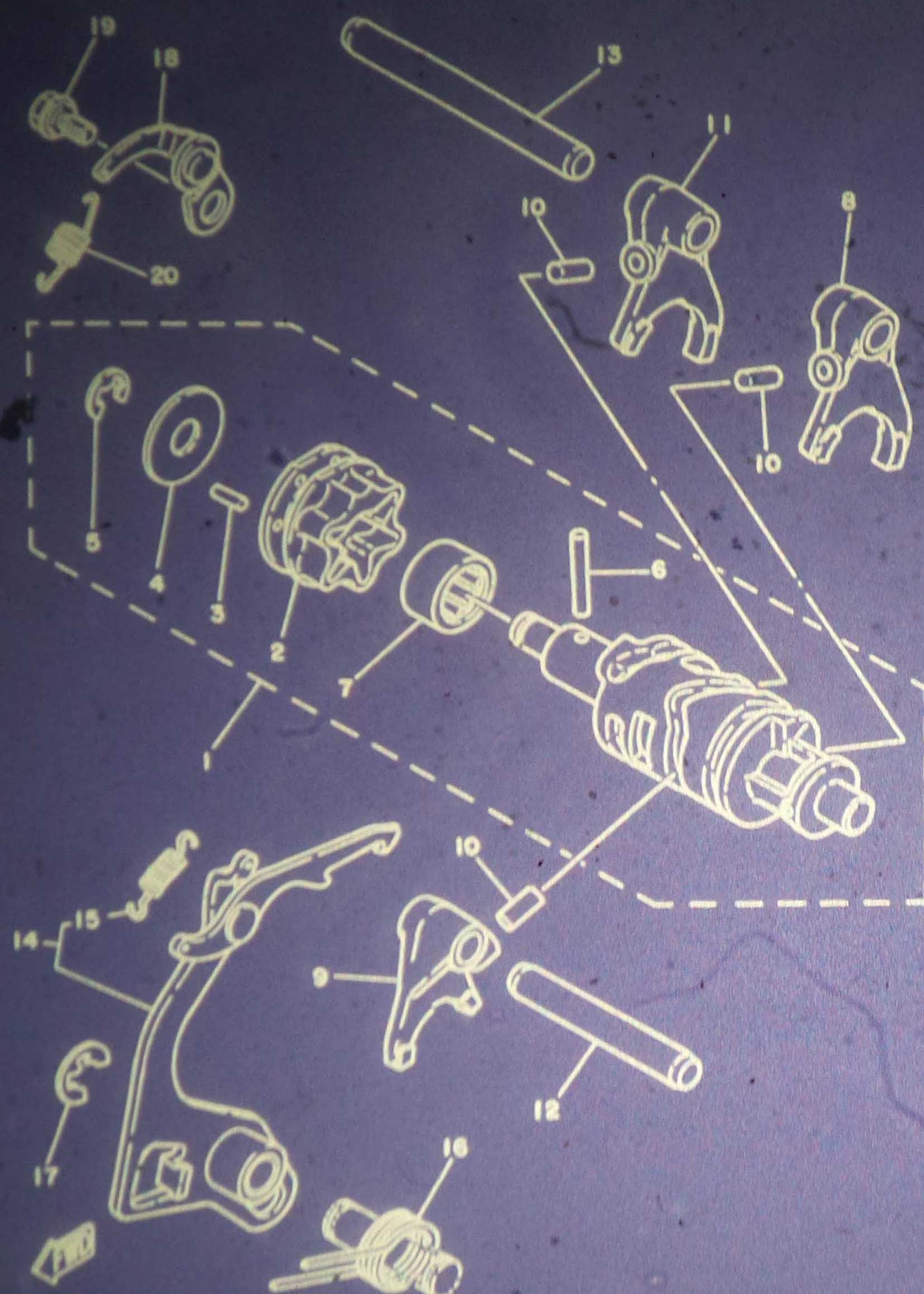
FIG. 11 TRANSMISSION



REF. NO.	PART NO.	DESCRIPTION	Q'TY	REMARKS
29	1G8-17461-20	SPROCKET, drive (12T)	1	UR STD
	1G8-17461-10	SPROCKET, drive (11T)	1	UR
	1G8-17461-30	SPROCKET, drive (13T)	1	UR
30	90387-202A0	COLLAR	1	
31	90179-16226	NUT	1	
32	90215-16127	WASHER, lock	1	

B15

FIG. 12 SHIFT CAM.FORK

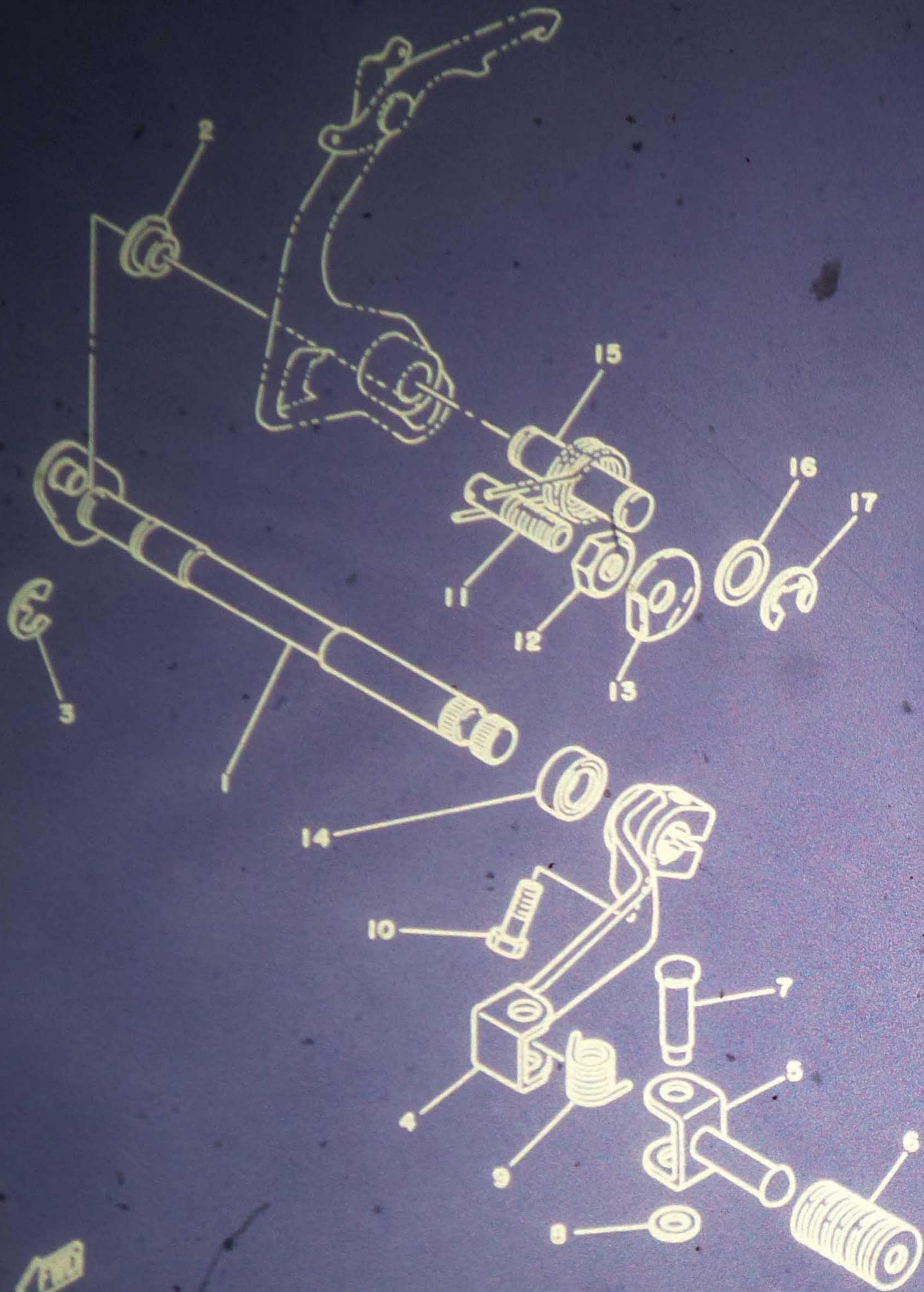


REF. NO.	PART NO.	DESCRIPTION	Q'TY	REMARKS
1	2W6-18540-00	SHIFT CAM ASSY	1	
2	1W1-18185-00	.SEGMENT	1	
3	93604-12037	.PIN, dowel	6	
4	1W1-18561-00	.PLATE, side 1	1	
5	93430-08006	.CIRCLIP	1	
6	93604-30018	.PIN, dowel	1	
7	93315-21813	.BEARING, cylindrical	1	
8	2W6-18511-00	FORK, shift 1	1	
9	2W6-18512-00	FORK, shift 2	1	
10	90250-06013	PIN, straight	3	
11	2W6-18513-00	FORK, shift 3	1	
12	2A6-18531-00	BAR, shift fork Guide 1	1	
13	2A6-18535-00	BAR, shift fork Guide 2	1	
14	2A6-18120-01	SHIFT LEVER ASSY	1	
15	90506-08155	.SPRING, tension	1	
16	90508-32349	SPRING, torsion	1	
17	93430-10016	CIRCLIP	1	
18	1W1-18140-00	STOPPER LEVER ASSY	1	
19	1W1-18177-00	BOLT, stopper	1	
20	90506-09156	SPRING, tension	1	

C2

FIG. 13 SHIFT SHAFT.PEDAL

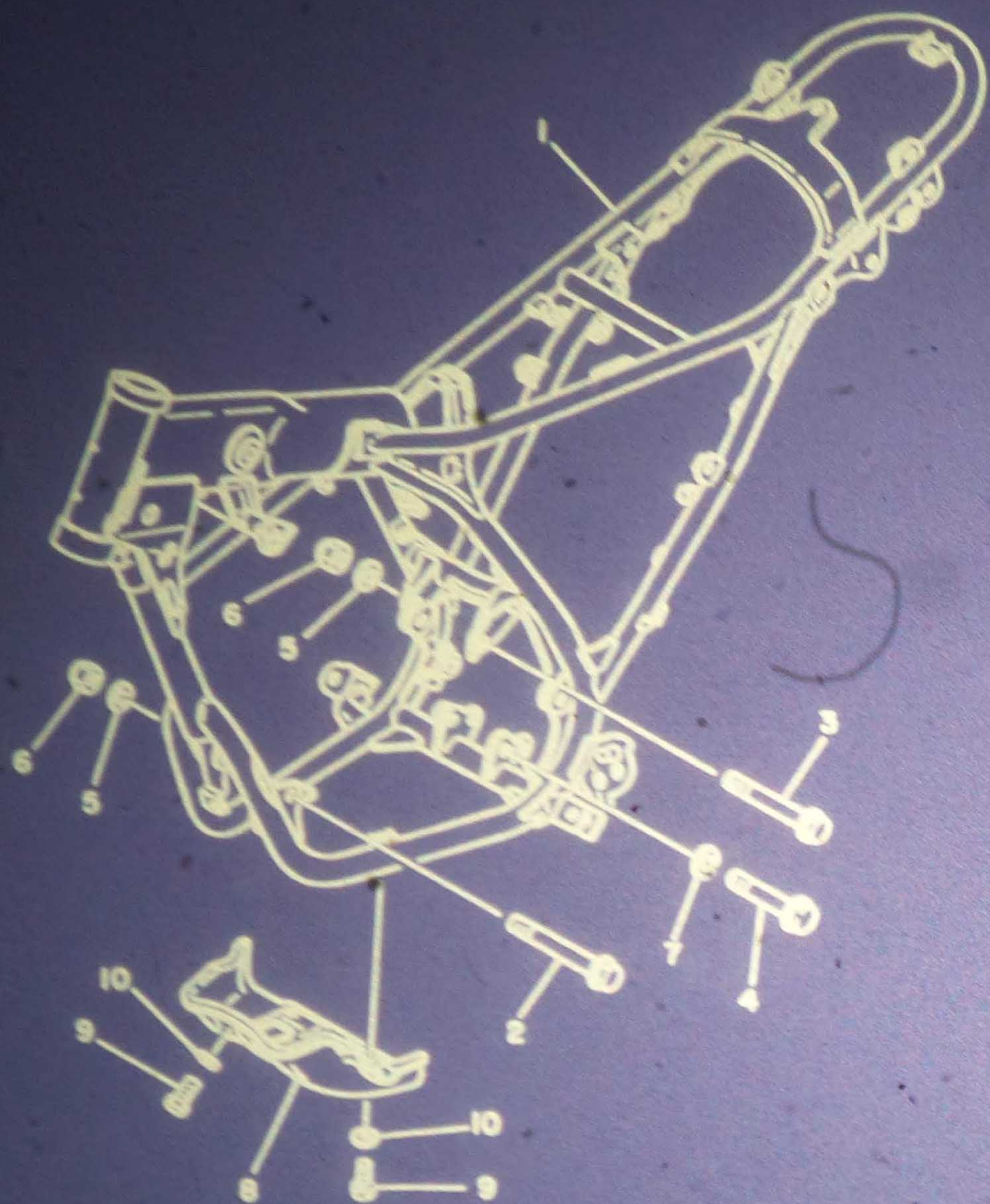
REF. NO.	PART NO.	DESCRIPTION	Q'TY	REMARKS
1	4F2-18101-00	SHIFT SHAFT ASSY	1	
2	401-18178-00	ROLLER, shift lever	1	
3	93430-10016	CIRCLIP	1	
4	3R9-18111-00	PEDAL, shift	1	
5	3R8-18162-00	PEDAL, shift	1	
6	1W6-18113-00	COVER, shift Pedal	1	
7	90243-08019	PIN	1	
8	90201-06042	WASHER, Plate	1	
9	90508-20415	SPRING, torsion	1	
10	97321-06020	BDLT	1	
11	90149-08111	SCREW	1	
12	90170-08029	NUT	1	
13	90215-08014	WASHER, lock	1	
14	93101-12060	OIL SEAL	1	
15	1W1-18197-01	SHAFT	1	
16	102-18137-00-10	WASHER 1	1	
17	93430-10016	CIRCLIP	1	



C3

FIG. 14 FRAME

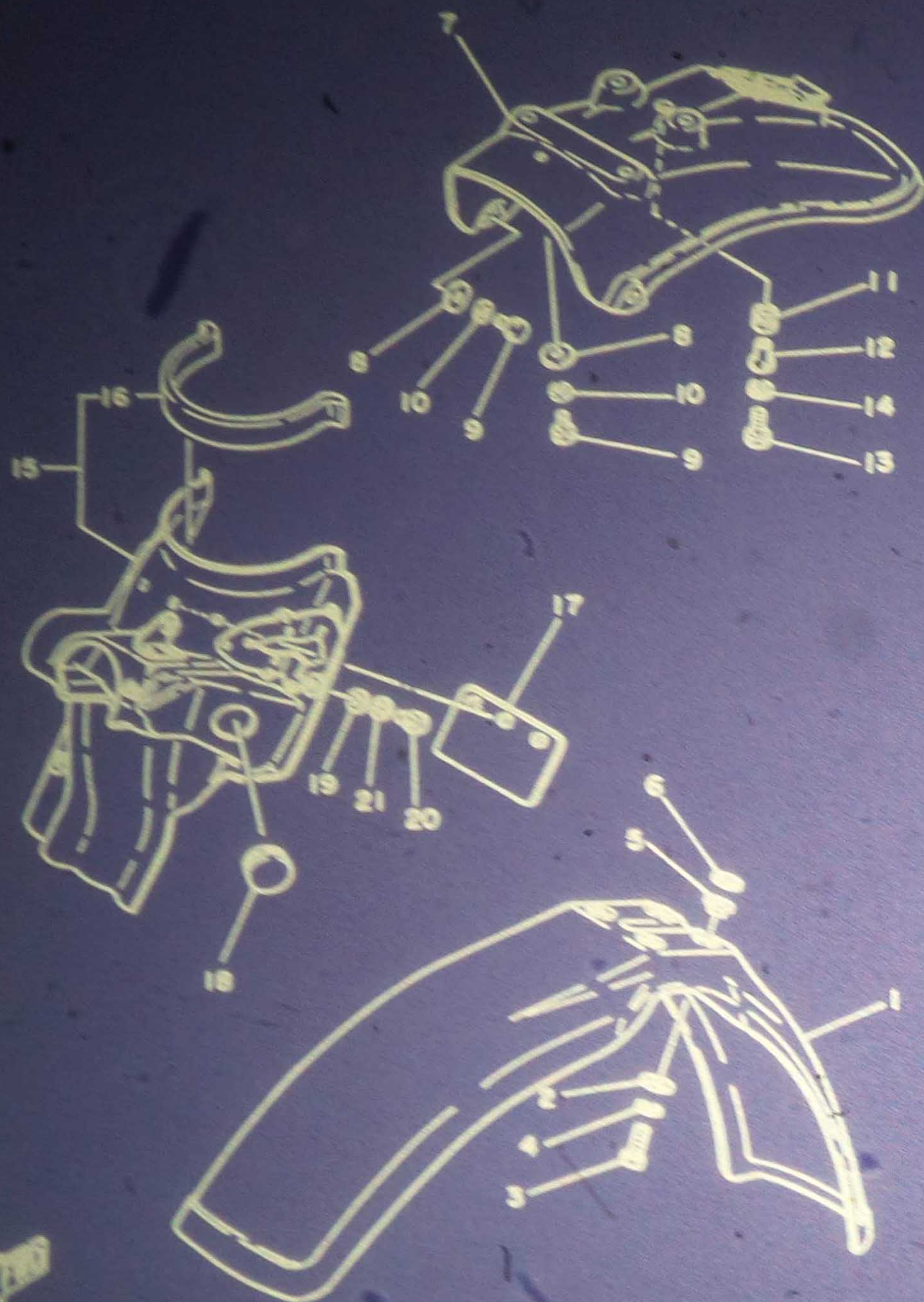
REF. NO.	PART NO.	DESCRIPTION	Q'TY	REMARKS
1	3W1-21110-01-33	FRAME COMP	1	yamaha black
2	90105-08099	BOLT, washer based	1	
3	90105-08120	BOLT, washer based	1	
4	90105-10037	BOLT, washer based	1	
5	92901-08200	WASHER, Plain	2	
6	90185-0P054	NUT, self-locking	2	
7	92901-10100	WASHER, sPring	1	
8	3R9-21471-00-35	PROTECTOR, engine	1	silver
9	97301-06012	BOLT	4	
10	92901-06600	WASHER, Plate	4	



C4

FIG. 15 FRONT FENDER, REAR FENDER

REF. NO.	PART NO.	DESCRIPTION	Q'TY	REMARKS
1	3R9-21511-10	FENDER, front	1	sky blue
2	90201-06067	WASHER, Plate	4	
3	97302-06020	BOLT	4	
4	92902-06100	WASHER, sPrin8	4	
5	90209-06187	WASHER	4	
6	90201-06557	WASHER, Plate	4	
7	3M1-21610-11	REAR FENDER COMP.	1	sky blue
8	90201-06067	WASHER, Plate	3	
9	97301-06014	BOLT	3	
10	92901-06100	WASHER, sPrin8	3	
11	90480-14198	GRIPNET	1	
12	90387-06388	COLLAR	1	
13	97301-06030	BOLT	1	
14	92901-06100	WASHER, sPrin8	1	
15	3M1-21620-00	MUD GUARD COMP.	1	
16	2A6-21639-00	DAMPER 2	1	
17	1M1-21621-00	FLAP	1	
18	90480-01254	GRIPNET	2	
19	90201-06067	WASHER, Plate	3	
20	97301-06014	BOLT	3	
21	92901-06100	WASHER, sPrin8	3	



C5

FIG. 16 SIDE COVER

REF. NO.	PART NO.	DESCRIPTION	Q'TY	REMARKS
1	3R9-21711-00-26	COVER, side 1	1	competition yellow/sky blue
2	3R9-21721-00-26	COVER, side 2	1	competition yellow/sky blue
3	92501-06015	SCREW, Pan head	2	
4	92901-06100	WASHER, sPrinE	2	
5	90201-06067	WASHER, Plate	2	
6	92501-06015	SCREW, Pan head	2	
7	92901-06100	WASHER, sPrinE	2	
8	90201-06067	WASHER, Plate	2	
9	431-24181-00	DAMPER, locating 1	1	
10	3R9-21737-01	EMBLEM	1	
11	3R9-21737-01	EMBLEM	1	
12	3W1-21170-00	BOX COMP.	1	
13	90480-15279	GROMMET	4	
14	90387-06574	COLLAR	2	
15	97301-06045	BOLT	2	
16	92901-06100	WASHER, sPrinE	2	
17	3W1-2176E-00	PLATE	1	
18	4J2-21773-00	GROMMET	2	
19	92501-06012	SCREW, Pan head	2	
20	92902-06100	WASHER, sPrinE	2	
21	90462-05005	CLAMP	1	

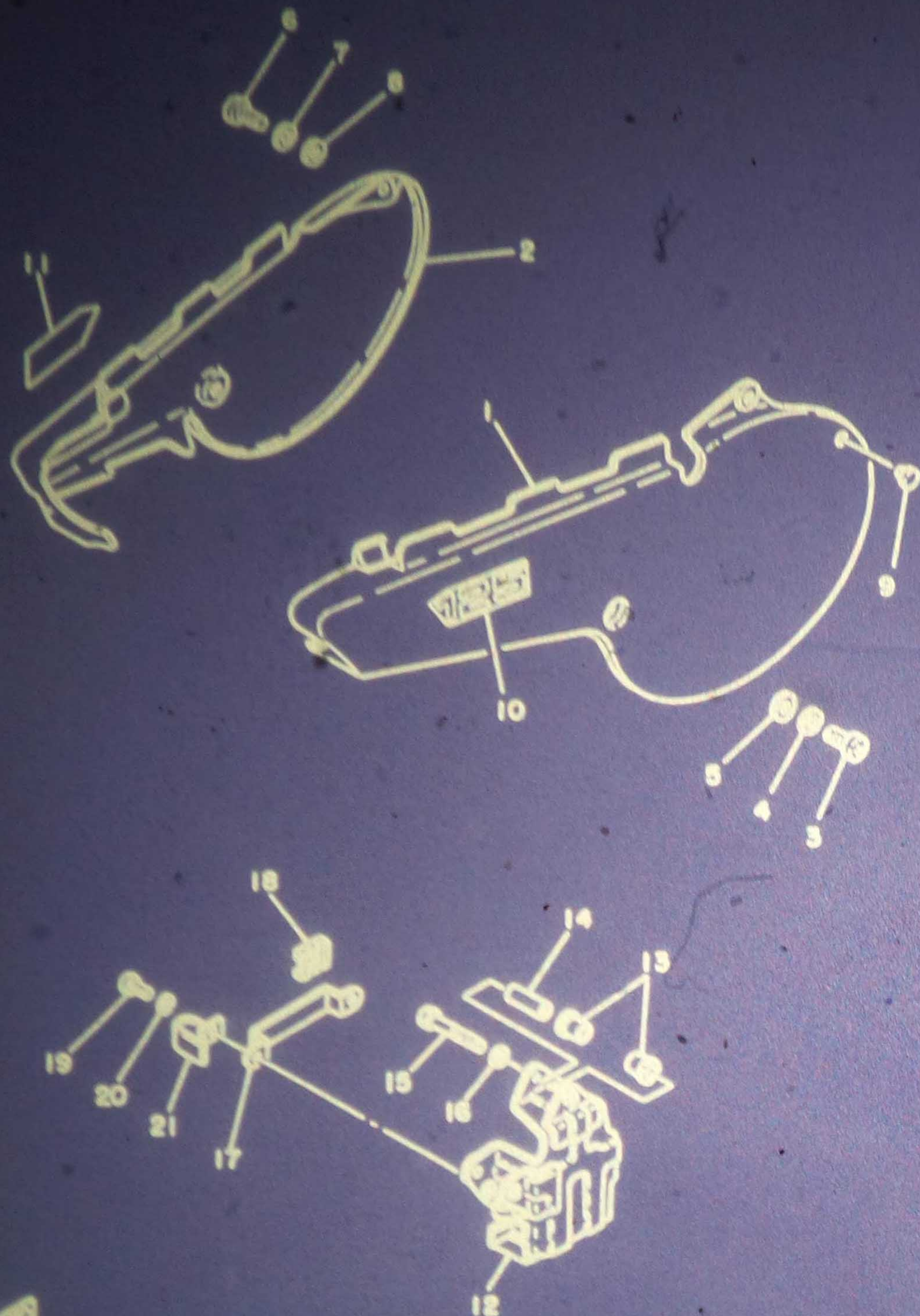
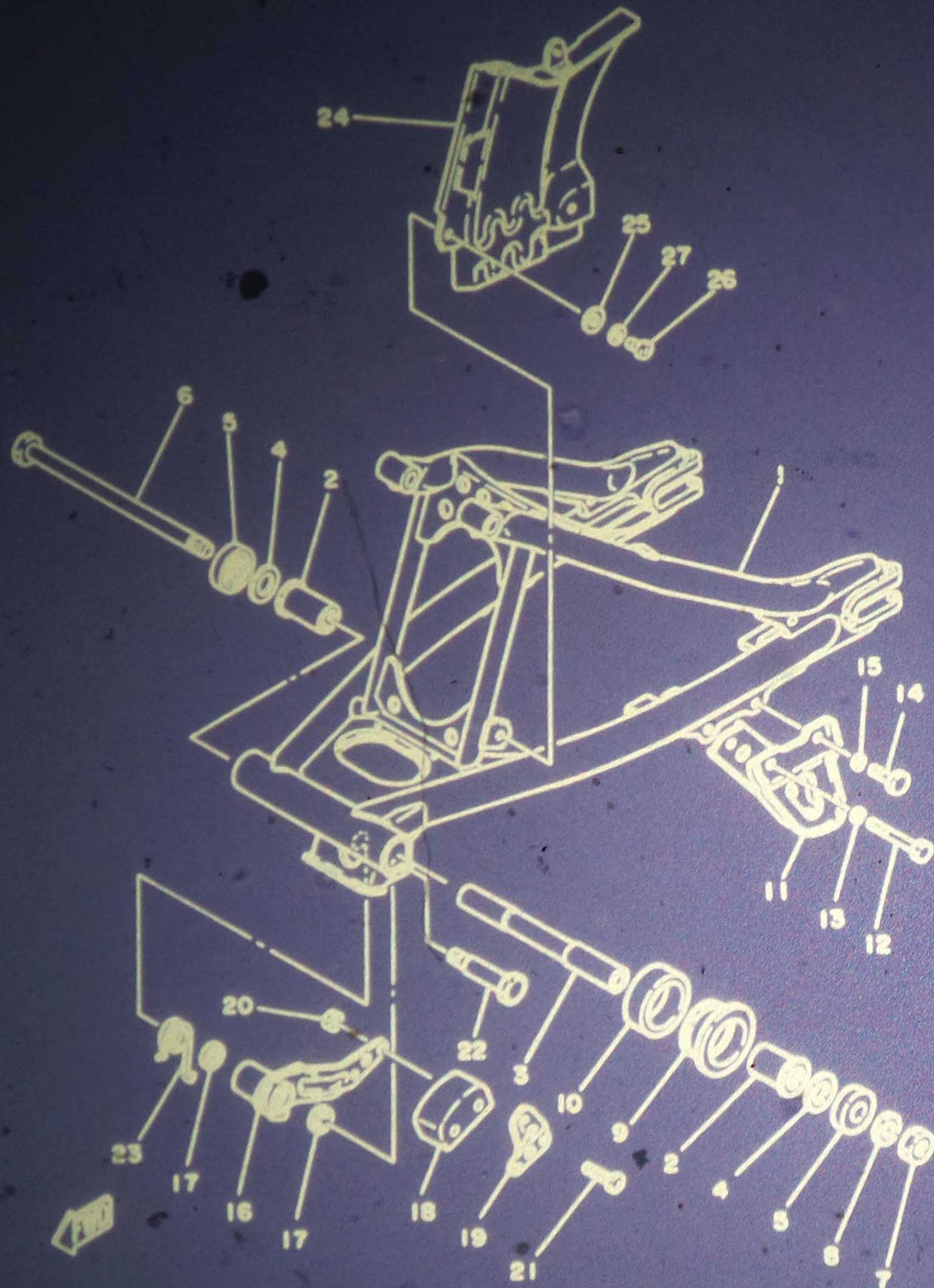


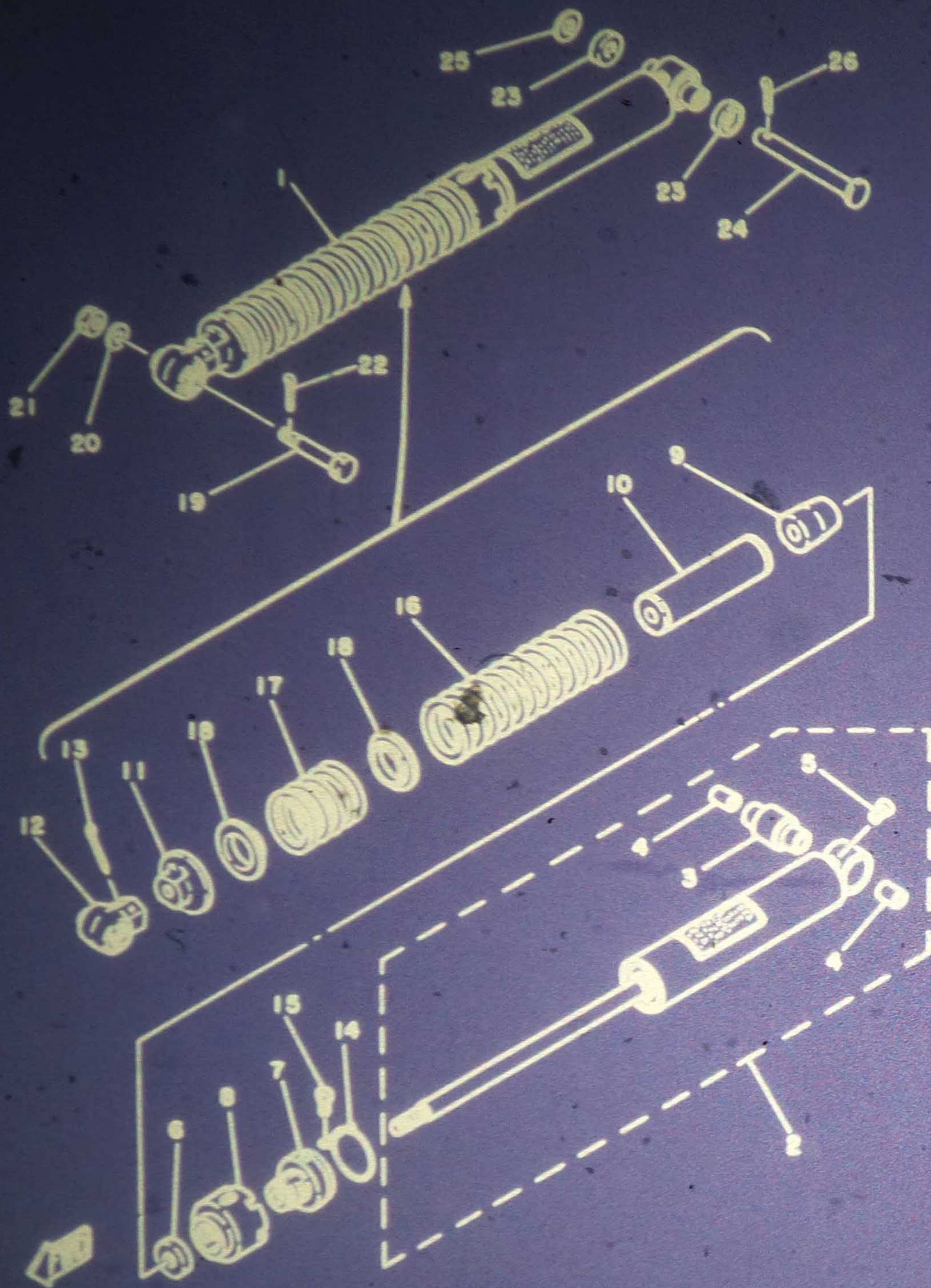
FIG. 17 REAR ARM



REF. NO.	PART NO.	DESCRIPTION	Q'TY	REMARKS
1	3R9-22110-00-33	REAR ARM COMP.	1	yamaha black
2	90326-18028	BUSH	2	
3	403-22124-00	BUSH 2	1	
4	401-22127-00	SHIM	2	UN
5	401-22128-01	SEAL, Guard	2	
6	2N4-22141-00	SHAFT, Pivot	1	
7	90185-12046	NUT, self-locking	1	
8	92901-12100	WASHER, sPrinE	1	
9	2A6-22151-00	SEAL, Guard	1	
10	2A6-22152-00	SEAL, Guard	1	
11	2K5-22153-01	GUARD, chain	1	
12	97301-06055	BOLT	1	
13	92901-06100	WASHER, sPrinE	1	
14	97301-06012	BOLT	1	
15	92901-06100	WASHER, sPrinE	1	
16	2A6-22179-00	ARM, tensioner	1	
17	93106-14044	OIL SEAL	2	
18	2N0-22178-00	TENSIONER	1	
19	1W1-22187-00	GUIDE, chain	1	
20	95301-05700	NUT	2	
21	98501-05035	SCREW, Pan head	2	
22	90109-10483	BOLT	1	
23	90508-35350	SPRING, torsion	1	
24	3R9-22311-00-33	CASE, chain	1	yamaha black
25	92901-05200	WASHER, Plain	3	
26	98501-05010	SCREW, Pan head	3	
27	92901-05100	WASHER, sPrinE	3	

C7

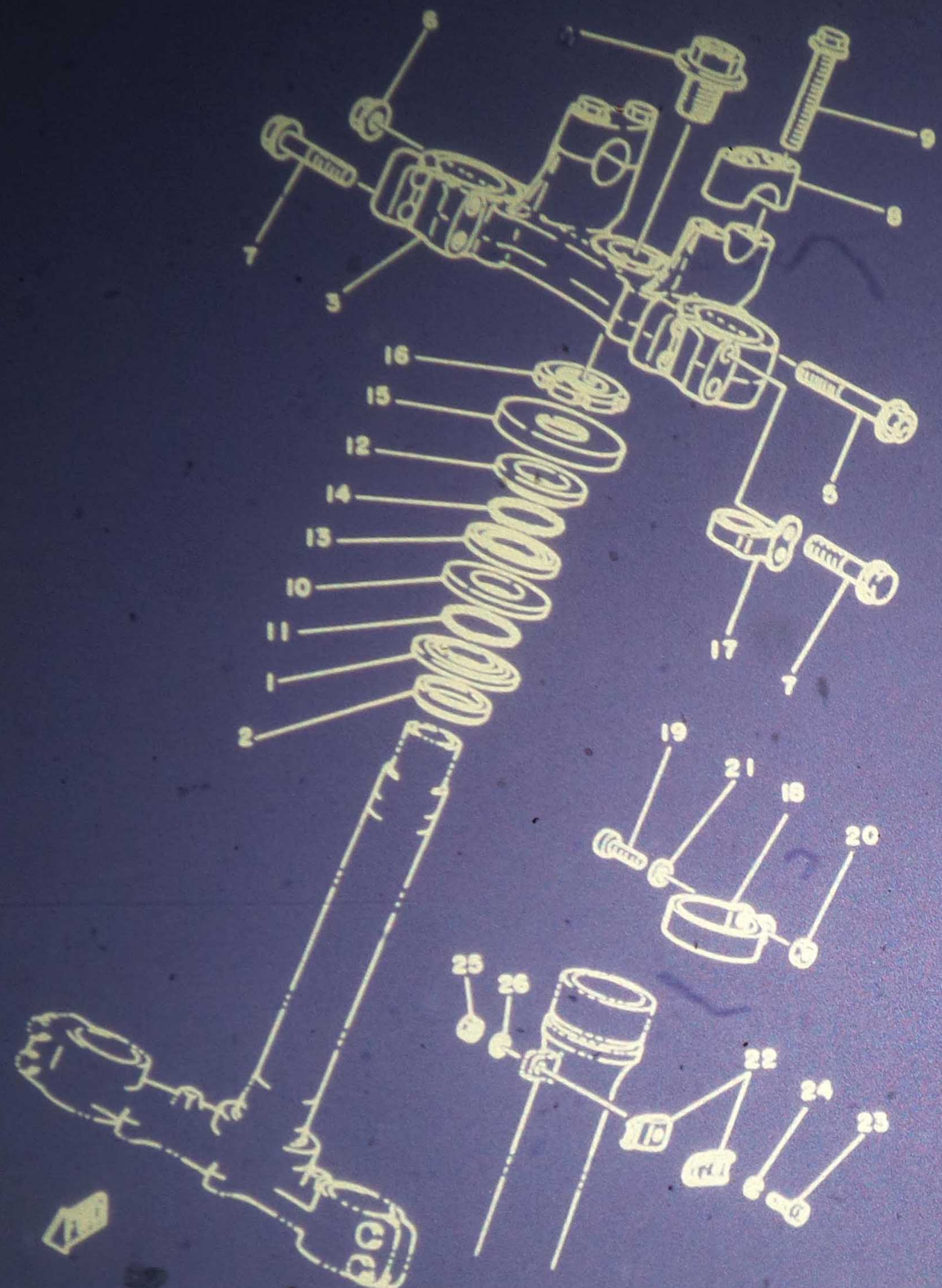
FIG. 18 REAR SUSPENSION



REF. NO.	PART NO.	DESCRIPTION	Q'TY	REMARKS
1	3R9-22210-10	SHOCK ABSORBER ASSY, rear	1	
2	3R9-22401-10	.DUMPER SUB ASSY	1	
3	1W1-22226-00	.BUSH, shock absorber lower	1	
4	90380-12051	.BUSH, solid	2	
5	98501-04005	.SCREW, Pan head	1	
6	2A6-22482-00	.STOPPER	1	
7	1M1-22472-01	.CAP, case	1	
8	1M1-22223-00	.SEAT, sPrin8 lower	1	
9	2A6-22493-00	.STOPPER, bumP	1	
10	3R9-22496-00	.SLEEVE, rod	1	
11	1M1-22213-01	.SEAT, sPrin8 uPPer	1	
12	1M1-22219-01	.BRACKET, uPPer	1	
13	91401-30040	.PIN, cotter	1	
14	1M1-22225-00	.RING, hold	1	
15	90149-04109	.SCREW	1	
16	3R9-22222-00	.SPRING, shock absorber 2	1	
17	3R9-22212-00	.SPRING	1	
18	3R9-22234-00	.GUIDE, sPrin8 3	2	
19	90109-10453	BOLT	1	
20	92901-10200	WASHER, Plain	1	
21	95302-10700	NUT	1	
22	91401-20025	PIN, cotter	1	
23	1W1-22128-00	COVER, thrust :	2	
24	90240-12059	PIN, clevis	1	
25	92901-12800	WASHER, Plate	1	
26	91401-30025	PIN, cotter	1	

C8

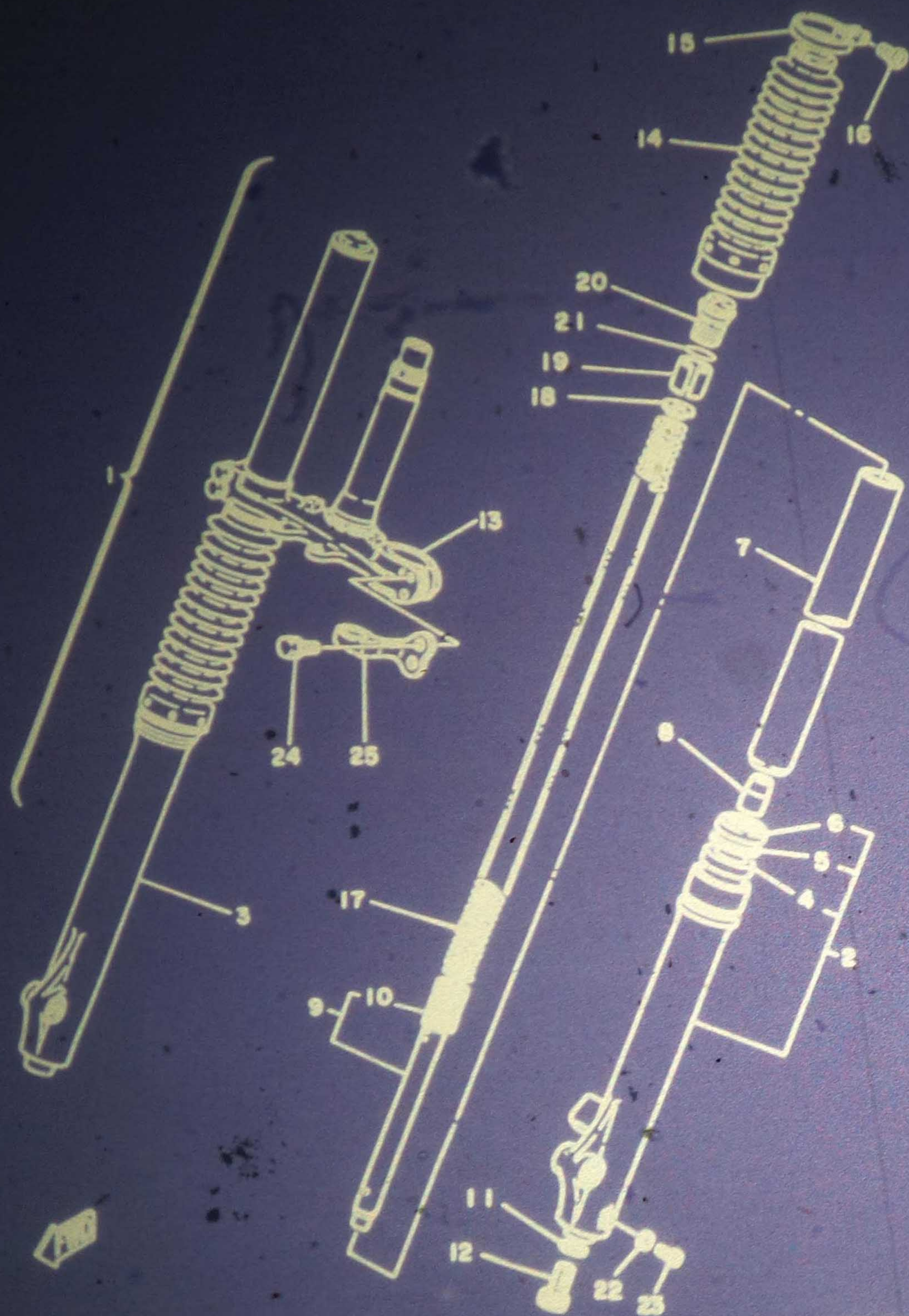
FIG. 19 STEERING



REF. NO.	PART NO.	DESCRIPTION	Q'TY	REMARKS
1	156-23411-00	RACE, ball 1	1	
2	164-23462-00	SEAL, steering	1	
3	3R2-1435-00-98	CROWN, handle	1	low gloss black
4	90105-14136	BOLT, washer based	1	
5	95821-08055	BOLT, flange	1	
6	95701-08100	NUT, flange	1	
7	95821-08040	BOLT, flange	4	
8	1E6-23441-00-98	HOLDER, handle upper	2	low gloss black
9	95821-08035	BOLT, flange	4	
10	156-23412-00	RACE, ball 2	1	
11	93501-04011	BALL	19	
12	122-23411-00	RACE, ball 1	1	
13	122-23412-00	RACE, ball 2	1	
14	93503-16010	BALL	22	
15	583-23416-01	COVER, ball race 2	1	
16	90179-25033	NUT	1	
17	3R4-23317-00	HOLDER, cable	1	
18	3R9-23318-00	HOLDER, cable 1	1	
19	98501-05018	SCREW, Pan head	1	
20	95301-05800	NUT	1	
21	92901-05600	WASHER, Plate	1	
22	90462-14055	CLAMP	2	
23	92501-06025	SCREW, Pan head	1	
24	92901-06100	WASHER, spring	1	
25	95301-06600	NUT	1	
26	92901-06600	WASHER, Plate	1	

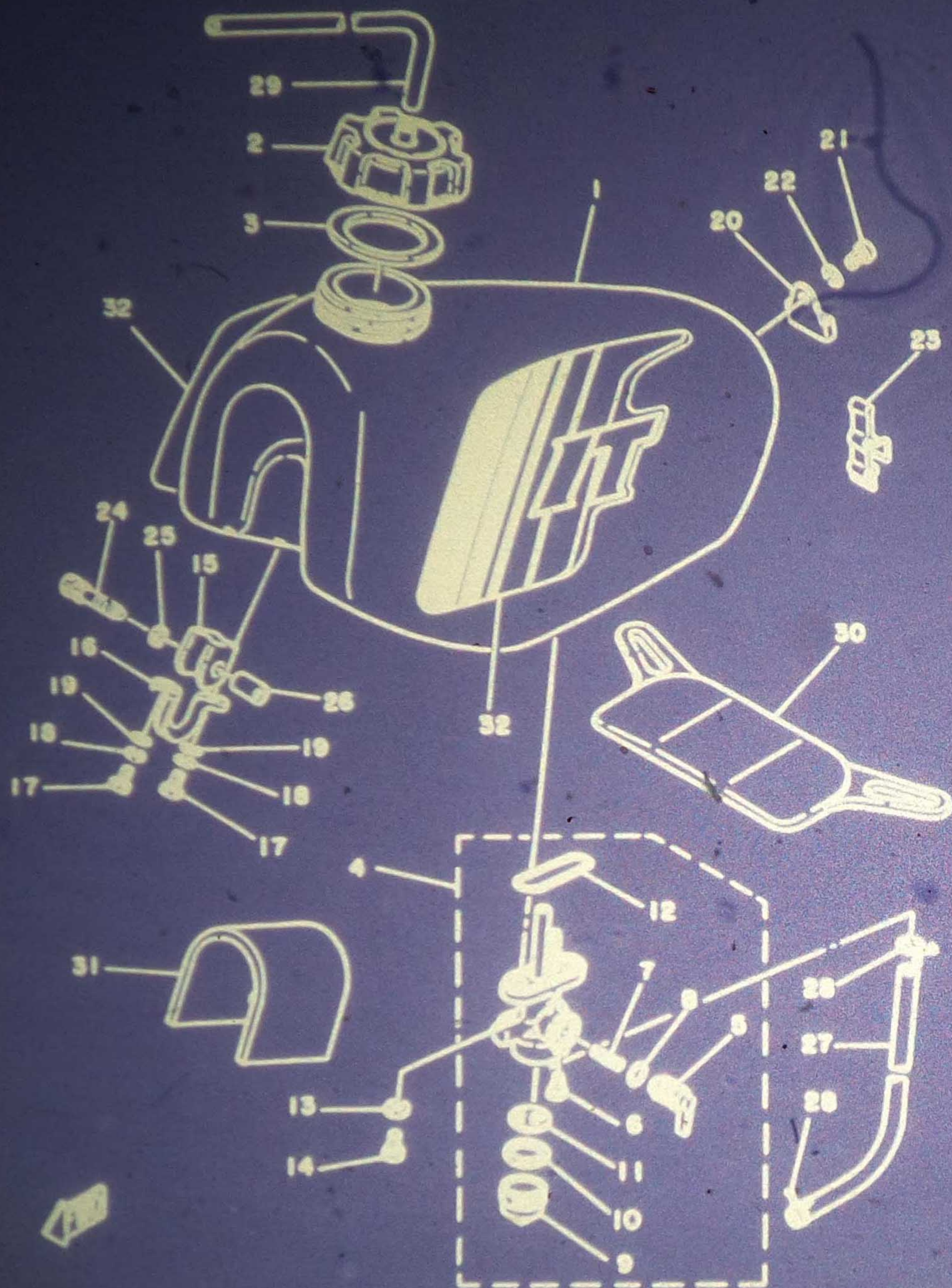
C9

FIG. 20 FRONT FORK



REF. NO.	PART NO.	DESCRIPTION	Q'TY	REMARKS
1	3R9-23101-10	FRONT FORK ASSY	1	
2	3R2-23106-00	•OUTER TUBE COMP. (L.H)	1	
3	3R2-23107-01	•OUTER TUBE COMP. (R.H)	1	
4	1T3-23145-00	••OIL SEAL	2	
5	4A1-23156-00	••CLIP, oil seal	2	
6	3R2-23144-00	••SEAL, dust	2	
7	3R2-23110-00	•INNER TUBE COMP.1	2	
8	1W1-23173-L0	•SPINDLE, taper	2	
9	3R9-23170-10	•CYLINDER COMP., front fork	2	
10	509-23151-L0	••SPRING, rebound	2	
11	509-23158-L0	•GASKET	2	
12	278-23181-50	•BOLT, hexagon socket head	2	
13	3R2-23340-00-33	•UNDER BRACKET COMP.	1	yamaha black
14	3R2-23191-M0	•BOOT	2	
15	341-92090-60	•BAND, boot	2	
16	509-23194-L0	•SCREW, boot band	2	
17	3R9-23141-10	•SPRING, front fork	2	
18	583-23142-00	•SEAT, spring upper	2	
19	1W2-23118-10	•SPACER	2	
20	2W6-23111-00	•BOLT, cap	2	
21	240-23114-00	•GASKET	2	
22	122-23129-00	•GASKET, drain plug	2	
23	122-23119-01	•PLUG, drain	2	
24	2K6-23128-00	•BOLT, axle holder	4	
25	3R4-23389-00	•GUIDE, cable	1	

FIG. 21 FUEL TANK

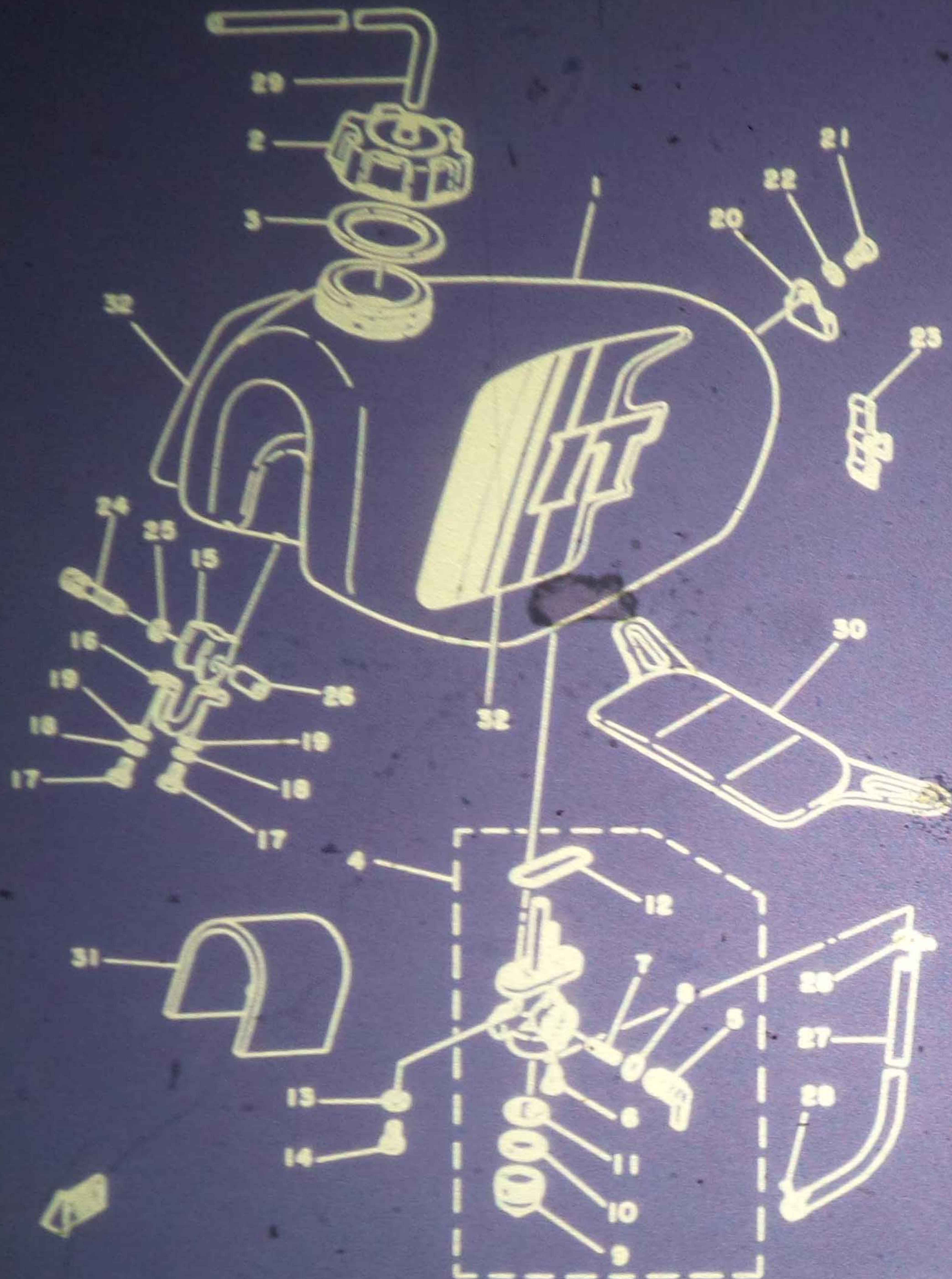


REF. NO.	PART NO.	DESCRIPTION	Q'TY	REMARKS
1	3R9-24110-01	FUEL TANK COMP.	1	sky blue
2	3R9-24611-00	BODY, caP	1	
3	3R9-24612-00	GASKET, caP	1	
4	3R9-24500-00	FUEL COCK ASSY 1	1	
5	2W6-24524-00	.LEVER, cock	1	
6	2N3-24535-00	.SCREW, lever fitting	1	
7	2W6-24529-00	.SPRING	1	
8	2N3-24528-00	.O-RING	1	
9	357-24521-10	.CUP, filter	1	
10	357-24522-10	.GASKET	1	
11	2W6-24561-00	.NET, filter	1	
12	2W6-24512-00	.O-RING	1	
13	90202-06010	WASHER, Plate	2	
14	90149-06011	SCREW	2	
15	1W1-24182-01	DAMPER, locating 2	2	
16	1W1-24144-01	HOLDER, damPer	2	
17	97301-06012	BOLT	4	
18	92901-06100	WASHER, sPring	4	
19	92901-06000	WASHER, Plate	4	
20	2K5-24192-00	BRACKET, fuel tank 2	1	
21	92901-06012	SCREW, Pan head	1	
22	92901-06100	WASHER, sPring	1	
23	2K5-24173-00	BAND, tank fitting 1	1	
24	90119-06022	BOLT, with washer	2	
25	90201-06407	WASHER, Plate	2	
26	90387-07393	COLLAR	2	
27	90445-11295	HOSE	1	
28	90467-10008	CLIP	2	

C11

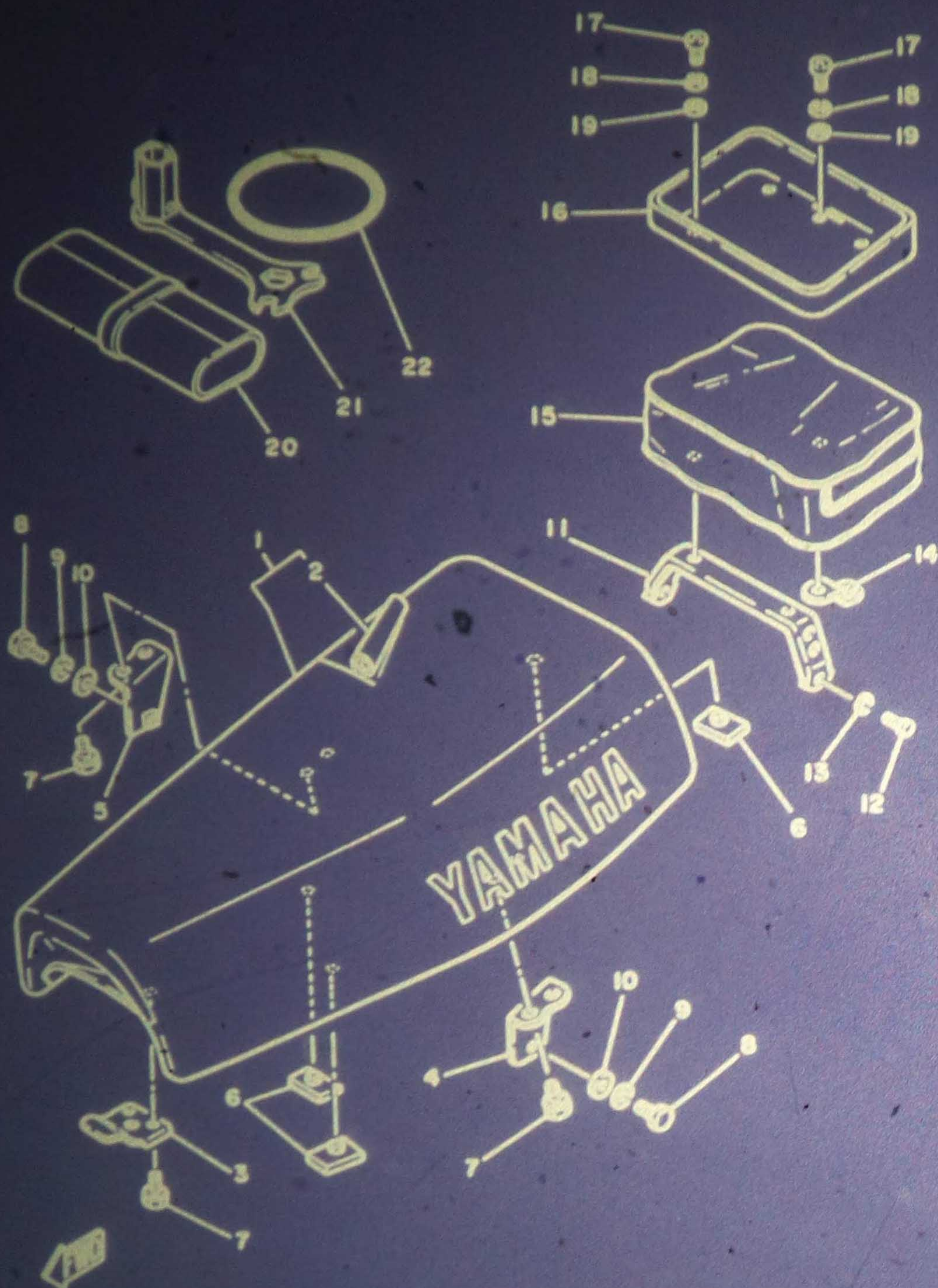
FIG. 21 FUEL TANK

REF. NO.	PART NO.	DESCRIPTION	Q'TY	REMARKS
29	90445-09117	HOSE	1	
30	2K5-24181-00	DAMPER, locatinE 1	1	
31	1W1-24183-00	DAMPER, locatinE 3	1	
32	3R9-24240-35	GRAPHIC SET	1	



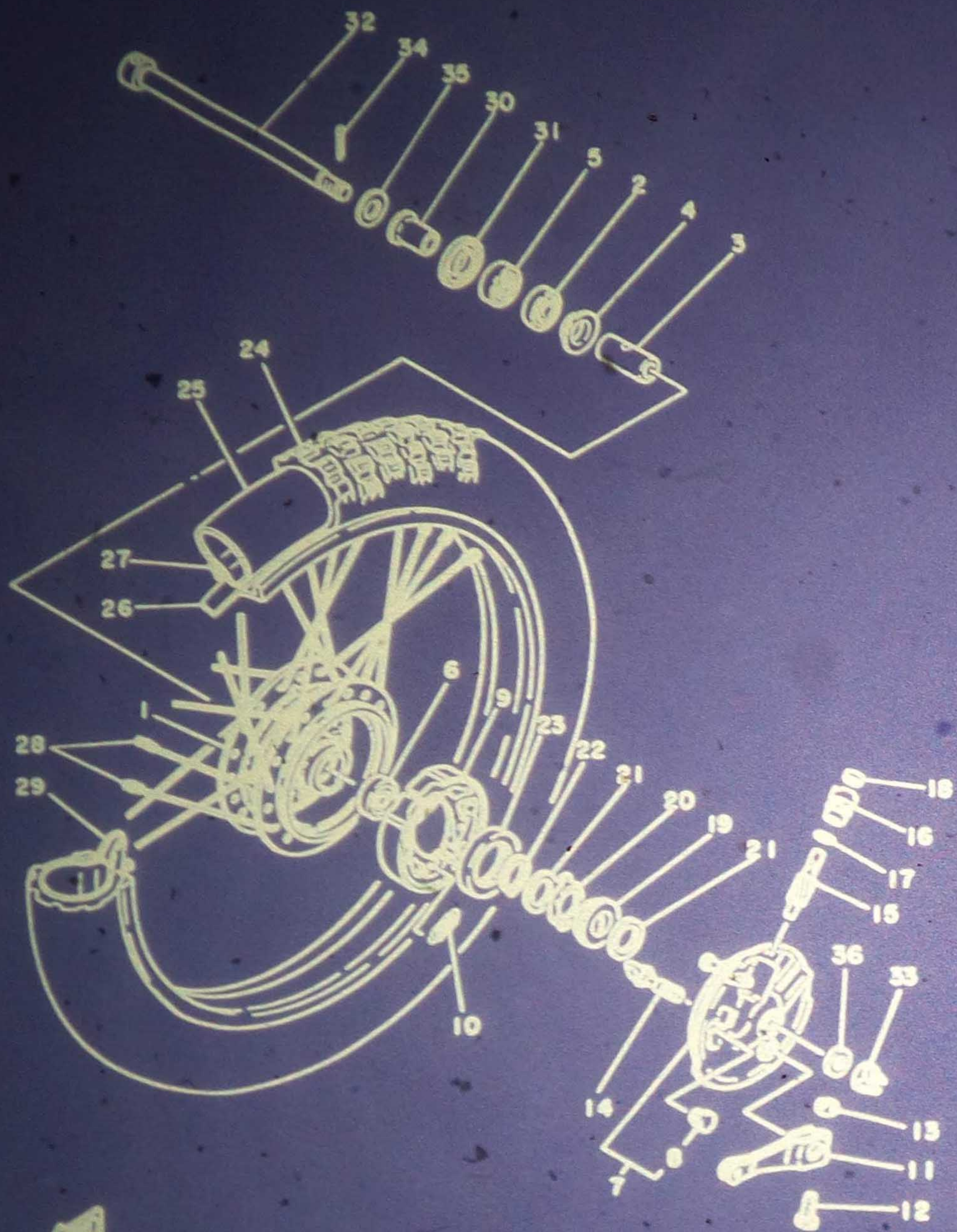
C12

FIG. 22 SEAT



REF. NU.	PART NO.	DESCRIPTION	Q'TY	REMARKS
1	3R2-W2473-00	SEMI-DOUBLE SEAT ASSY	1	
2	3R2-24771-00	COVER, semi-double seat	1	
3	2K5-24715-00	STAY, front	1	
4	2K5-24716-00	STAY, rear	1	
5	2K5-24719-00	STAY, rear	1	
6	509-24724-00	DAMPER, seat	6	
7	90101-06304	BOLT	6	
8	97301-06016	BOLT	2	
9	92901-06100	WASHER, spring	2	
10	92901-06600	WASHER, Plate	2	
11	3W1-24832-00	BRACKET, carrier 1	1	
12	97301-06014	BOLT	2	
13	92901-06100	WASHER, spring	2	
14	3W1-24819-00	STAY, rear	1	
15	4V5-24850-00	CARRIER BOX ASSY	1	
16	4V5-24833-00	BRACKET, carrier 2	1	
17	92502-06016	SCREW, Pan head	3	
18	92902-06100	WASHER, spring	3	
19	90201-06007	WASHER, Plate	3	
20	3R9-26100-10	TOOL KIT	1	
21	3R9-26136-00	SPANNER, special	1	
22	93210-06202	O-RING	1	

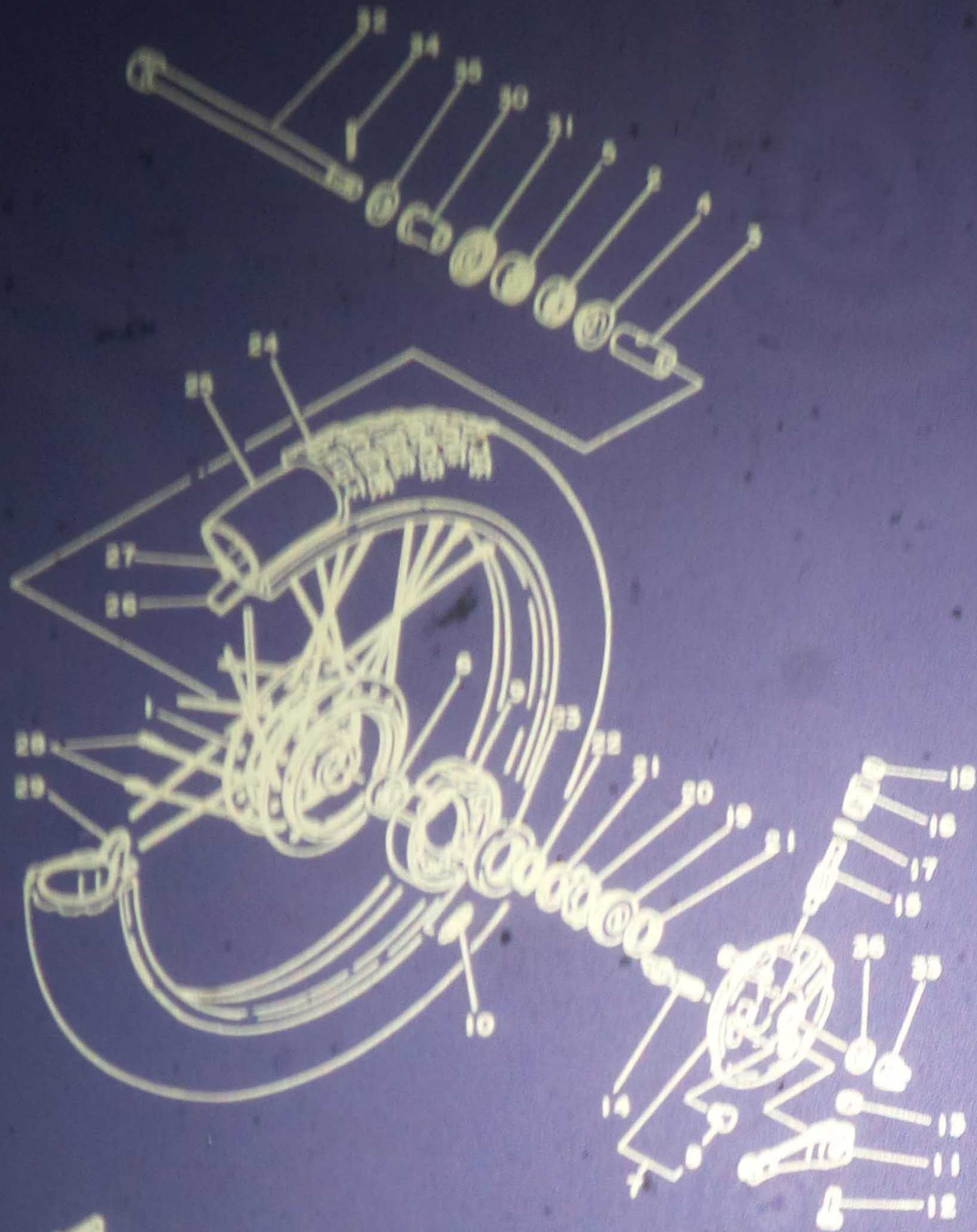
FIG. 23 FRONT WHEEL



REF. NO.	PART NO.	DESCRIPTION	Q'TY	REMARKS
1	248-25111-00-98	HUB, front	1	low gloss black
2	93306-30102	BEARING (B63011)	1	
3	90560-12138	SPACER	1	
4	109-25315-00	FLANGE, sPacer	1	
5	93102-18008	OIL SEAL	1	
6	93306-30103	BEARING (B63012)	1	
7	3W1-25016-00-98	BRAKE SHOE PLATE ASSY	1	low gloss black
8	90480-10068	.GROMMET	1	
9	437-25130-00	BRAKE SHOE COMP.	2	
10	90506-16150	SPRING, tension	2	
11	401-25155-11	LEVER, camshaft 1	1	
12	90101-06278	BOLT	1	
13	95301-06600	NUT	1	
14	122-25351-02	CAMSHAFT	1	
15	3R9-25138-00	GEAR, meter	1	
16	109-25136-00	BUSH	1	
17	90201-07076	WASHER, Plate	1	
18	93104-07003	OIL SEAL	1	
19	3R9-25135-00	GEAR, drive	1	
20	183-25149-00	CLUTCH, meter	1	
21	90201-20269	WASHER, Plate	2	
22	93410-20009	CIRCLIP	1	
23	93105-47007	OIL SEAL	1	
24	94130-21554	TIRE (3.00-21)	1	
25	94227-21123	TUBE (2.75-21)	1	bridgestone
26	94330-21084	BAND, rim (3.00-21)	1	bridgestone
27	94416-21265	RIM (1.60-21)	1	
28	345-25104-01	SPOKE SET, front	1	

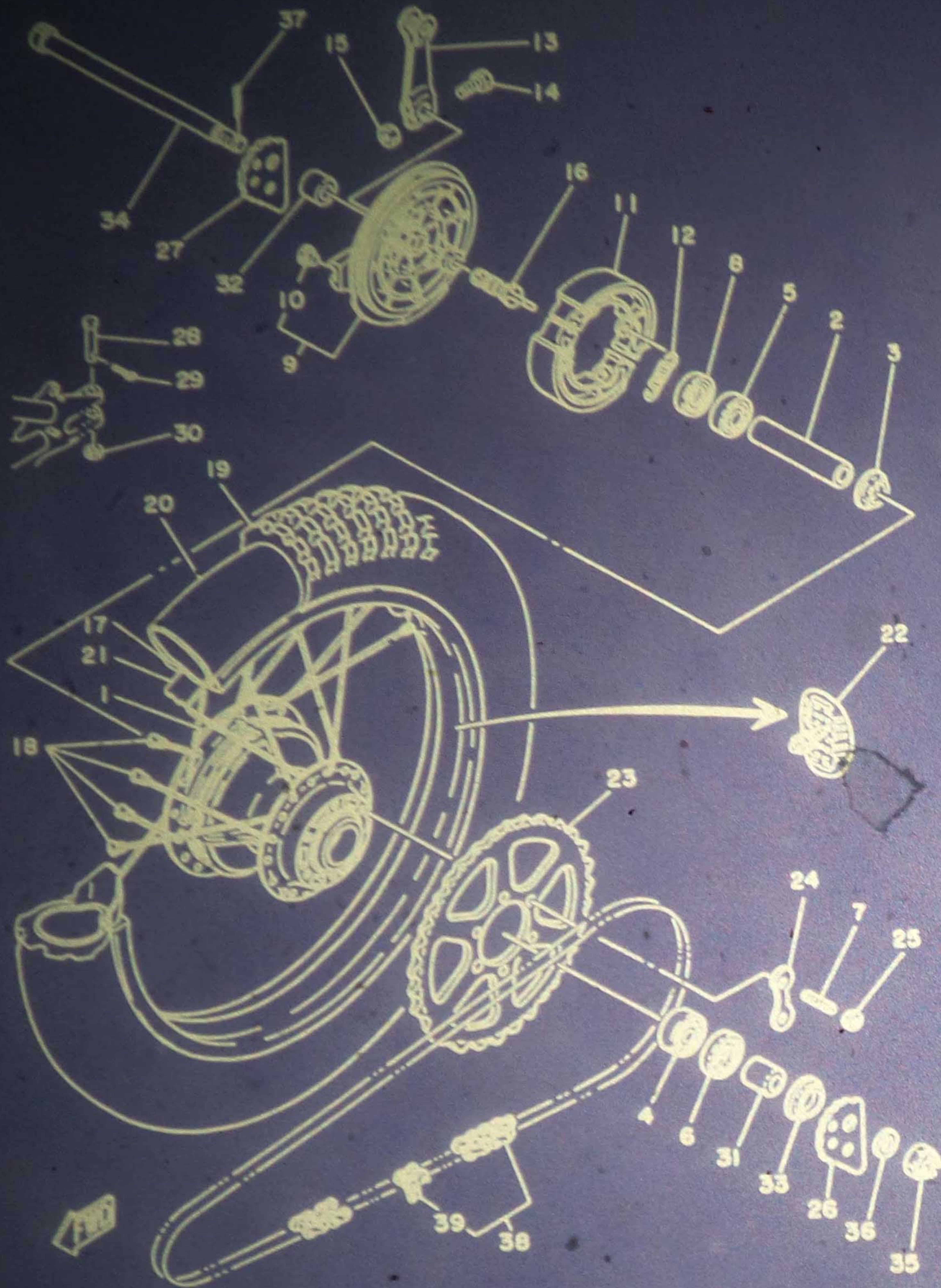
C14

FIG. 29 FRONT WHEEL



REF. NO.	PART NO.	DESCRIPTION	Q'TY	REMARKS
29	171-25194-00	SPACER, bead	1	
30	90387-12265	COLLAR	1	
31	2K9-25118-00	COVER, hub dust	1	
32	353-25361-00	AXLE, wheel	1	
33	90171-10004	NUT, castle	1	410
34	91401-20020	PIN, cotter	1	
35	90201-12174	WASHER, plate	1	
36	92901-10200	WASHER, plain	1	

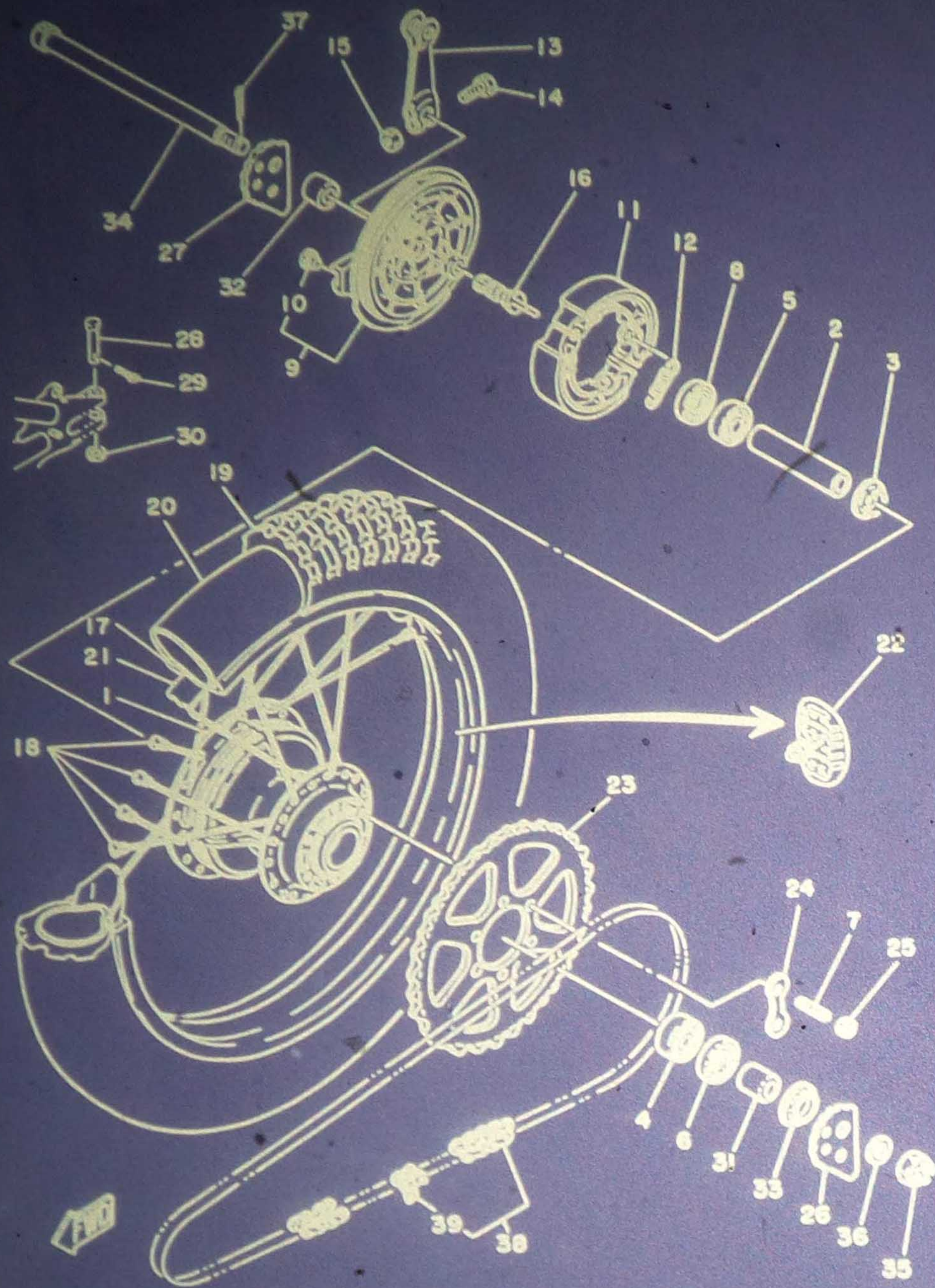
FIG. 24 REAR WHEEL



REF. NO.	PART NO.	DESCRIPTION	Q'TY	REMARKS
1	1W1-25311-00-98	HUB, rear	1	low gloss black
2	248-25317-00	SPACER, bearing	1	
3	148-25115-00	FLANGE, spacer	1	
4	93306-30208	BEARING	1	
5	93306-20205	BEARING (B6202)	1	
6	93106-26005	OIL SEAL	1	
7	90116-10221	BOLT, stud	6	
8	93104-22018	OIL SEAL	1	
9	2A6-25026-01-98	BRAKE SHOE PLATE ASSY	1	low gloss black
10	90480-10068	GROMMET	1	
11	437-25330-00	BRAKE SHOE COMP.	2	
12	90506-16036	SPRING, tension	2	
13	1E2-25155-00	LEVER, camshaft	1	
14	90101-06278	BOLT	1	
15	95301-06600	NUT	1	
16	2A6-25351-01	CAMSHAFT	1	
17	94418-18266	RIM (4.85-18)	1	
18	537-25304-01	SPOKE SET, rear	1	
19	94141-18557	TIRE (4.10-18)	1	
20	94241-18153	TUBE (4.10-18)	1	bridgestone
21	94330-18087	BAND, rim (3.00-18)	1	bridgestone
22	2X3-25394-00	SPACER, bead	2	
23	3R9-25446-10-33	SPROCKET, driven (46T)	1	UR STD yamaha black
	3R9-25444-10-33	SPROCKET, driven (44T)	1	UR yamaha black
	3R9-25448-10-33	SPROCKET, driven (48T)	1	UR yamaha black
24	1G8-25412-00	WASHER	3	
25	90170-10219	NUT	6	
26	1W2-25308-01	PULLER, chain	1	

D2

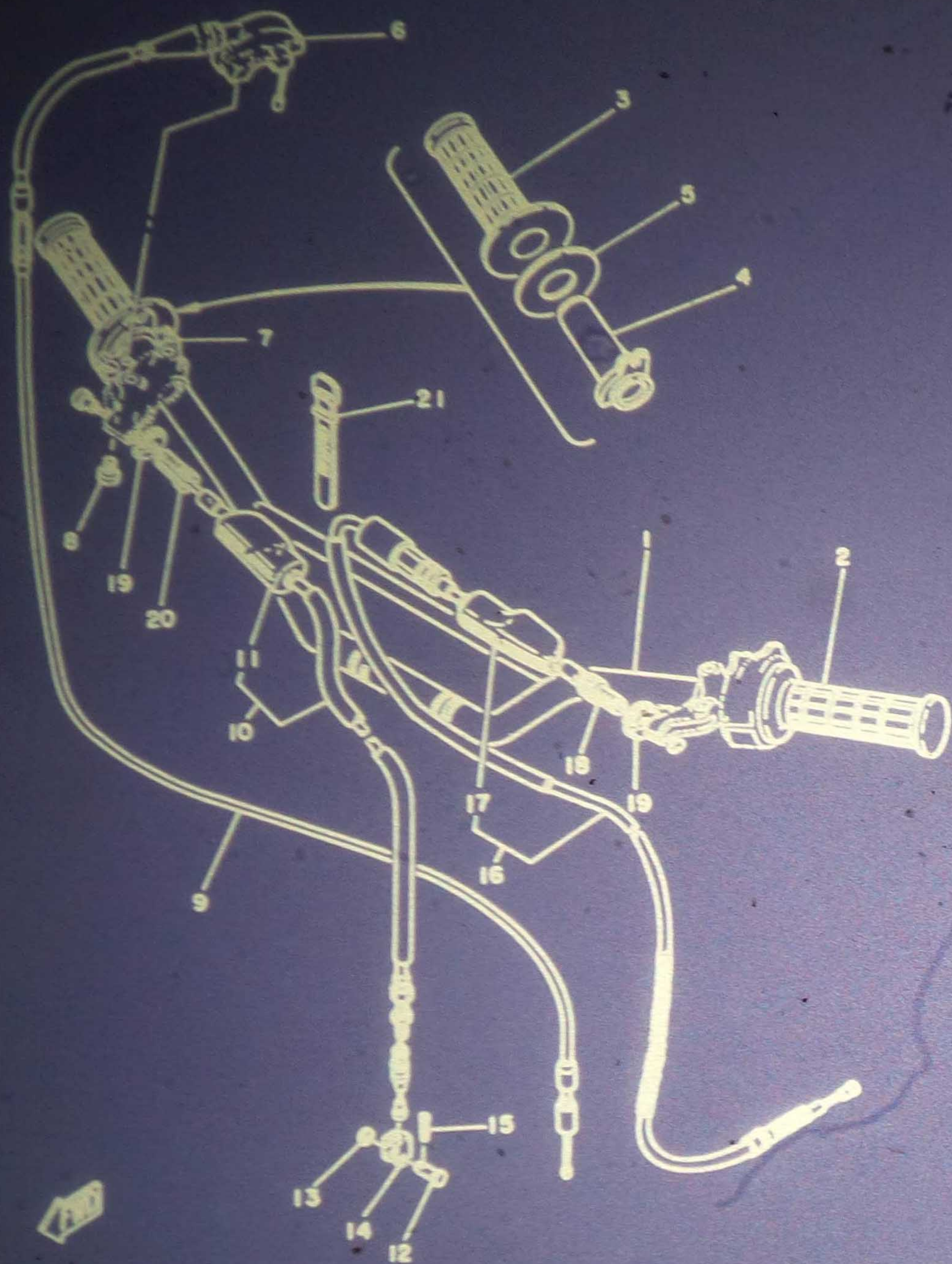
FIG. 24 REAR WHEEL



REF. NO.	PART NO.	DESCRIPTION	Q'TY	REMARKS
27	1W2-25389-01	PULLER, chain 2	1	
28	91701-06042	PIN, clevis	2	
29	91401-20015	PIN, cotter	2	
30	92901-06600	WASHER, Plate	2	
31	90387-15524	COLLAR	1	
32	90387-15524	COLLAR	1	
33	401-25367-00	COVER, hub dust	1	
34	2A6-25381-00	AXLE, wheel	1	
35	90171-14020	NUT, castle	1	
36	90201-15238	WASHER, Plate	1	
37	91401-30030	PIN, cotter	1	
38	94585-20100	CHAIN, drive (DID520DS 100L)	1	
39	94685-20001	JOINT, chain	1	

D3

FIG. 25 HANDLEBAR-CABLE

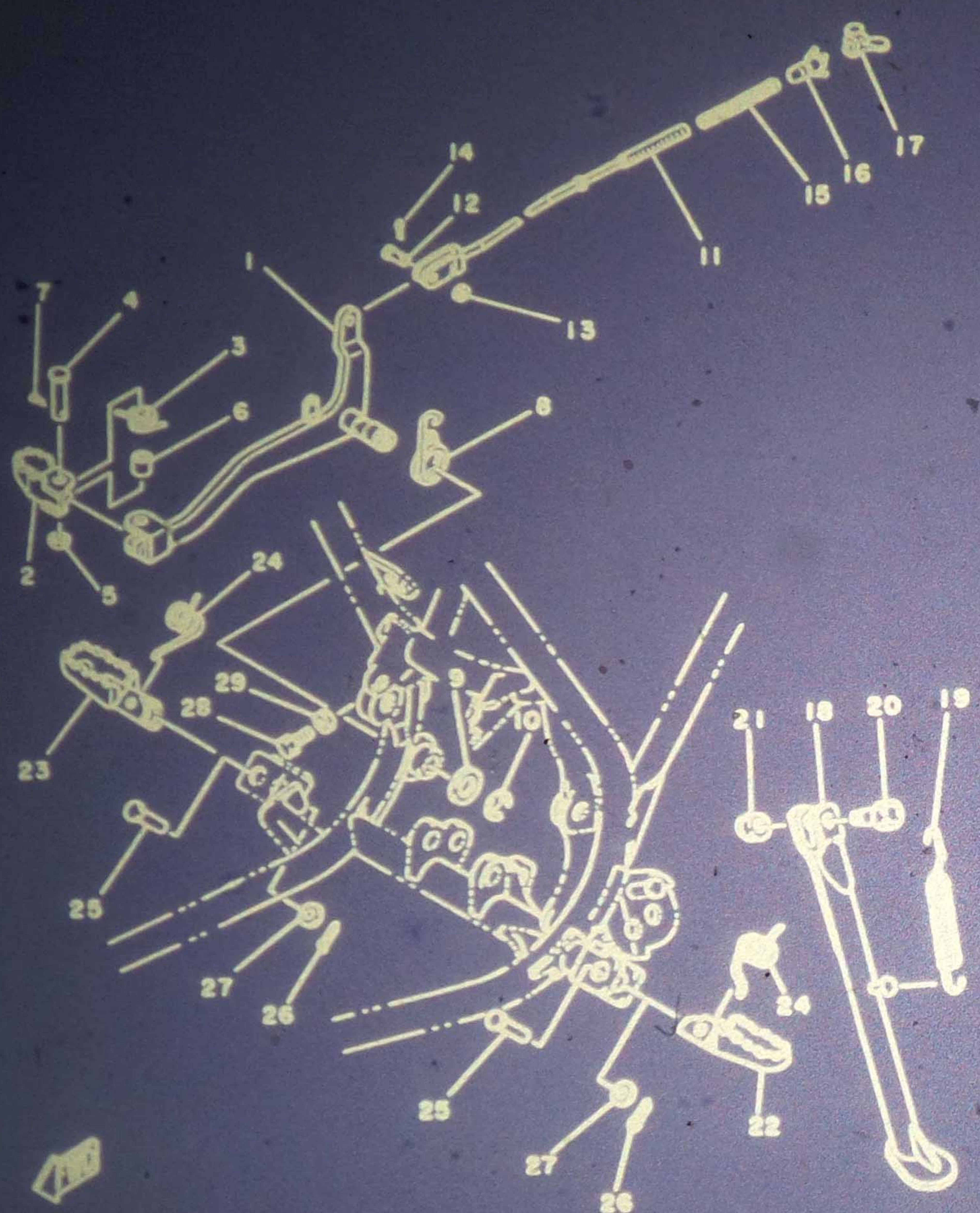


REF. NO.	PART NO.	DESCRIPTION	Q'TY	REMARKS
1	3R9-26111-00	HANDLEBAR	1	
2	4V4-26241-00	GRIP (L.H)	1	
3	3R9-26242-00	GRIP (R.H)	1	
4	322-26243-00	TUBE, throttle Guide	1	
5	1W1-26249-00	RING, leaf	1	
6	322-26281-00-98	CAP, Grip upper	1	low Gloss black
7	322-26282-00-98	CAP, Grip lower	1	low Gloss black
8	98503-05015	SCREW, Pan head	2	
9	2K5-26311-02	CABLE, throttle 1	1	
10	3W1-26341-00	CABLE, brake	1	
11	498-26372-00	COVER, handle lever 1	1	
12	90240-08012	PIN, clevis	1	
13	90201-08083	WASHER, Plate	1	
14	156-26347-00	JOINT, cable	1	
15	91401-20015	PIN, cotter	1	
16	3R9-26335-00	CABLE, clutch	1	
17	382-26372-01	COVER, handle lever 1	1	
18	90123-08013	BOLT	1	
19	90179-08148	NUT	2	
20	90123-08046	BOLT	1	
21	437-83936-10	BAND, switch cord	1	

D4

FIG. 26 STAND-FOOTREST

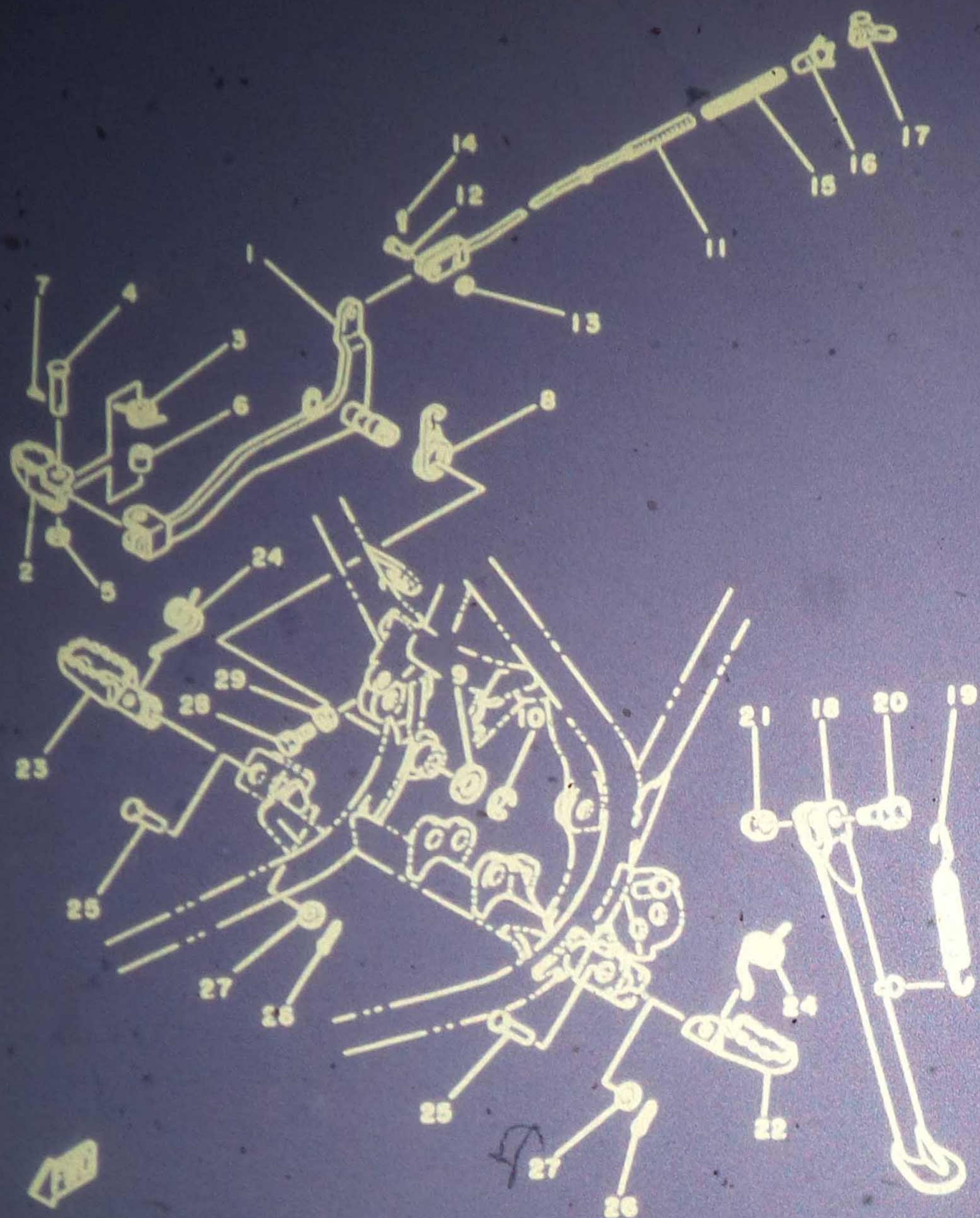
REF. NO.	PART NO.	DESCRIPTION	Q'TY	REMARKS
1	3W1-27211-00	PEDAL, brake	1	
2	3R9-27242-00	PEDAL, brake	1	
3	90508-20414	SPRING, torsion	1	
4	91701-08032	PIN, clevis	1	
5	92901-08600	WASHER, Plate	1	
6	90387-08762	COLLAR	1	
7	91401-25015	PIN, cotter	1	
8	90508-32354	SPRING, torsion	1	
9	90201-14212	WASHER, Plate	1	
10	93430-10015	CIRCLIP	1	
11	2K5-27231-00	ROD, brake	1	
12	90240-06006	PIN, clevis	1	
13	92901-06200	WASHER, Plain	1	
14	91401-25015	PIN, cotter	1	
15	90501-10245	SPRING, compression	1	
16	90249-12008	PIN	1	
17	90175-06013	NUT, wing	1	
18	3R9-27311-00-33	STAND, side	1	yamaha black
19	90507-29008	SPRING, tension	1	
20	90109-10473	BOLT	1	
21	90185-10037	NUT, self-locking	1	
22	3R4-27411-00	FOOTREST 1	1	
23	3R4-27421-00	FOOTREST 2	1	
24	90508-20023	SPRING, torsion	2	
25	91702-08040	PIN, clevis	2	
26	91401-25015	PIN, cotter	2	
27	92901-08600	WASHER, Plate	2	
28	97301-06020	BOLT	1	



D5

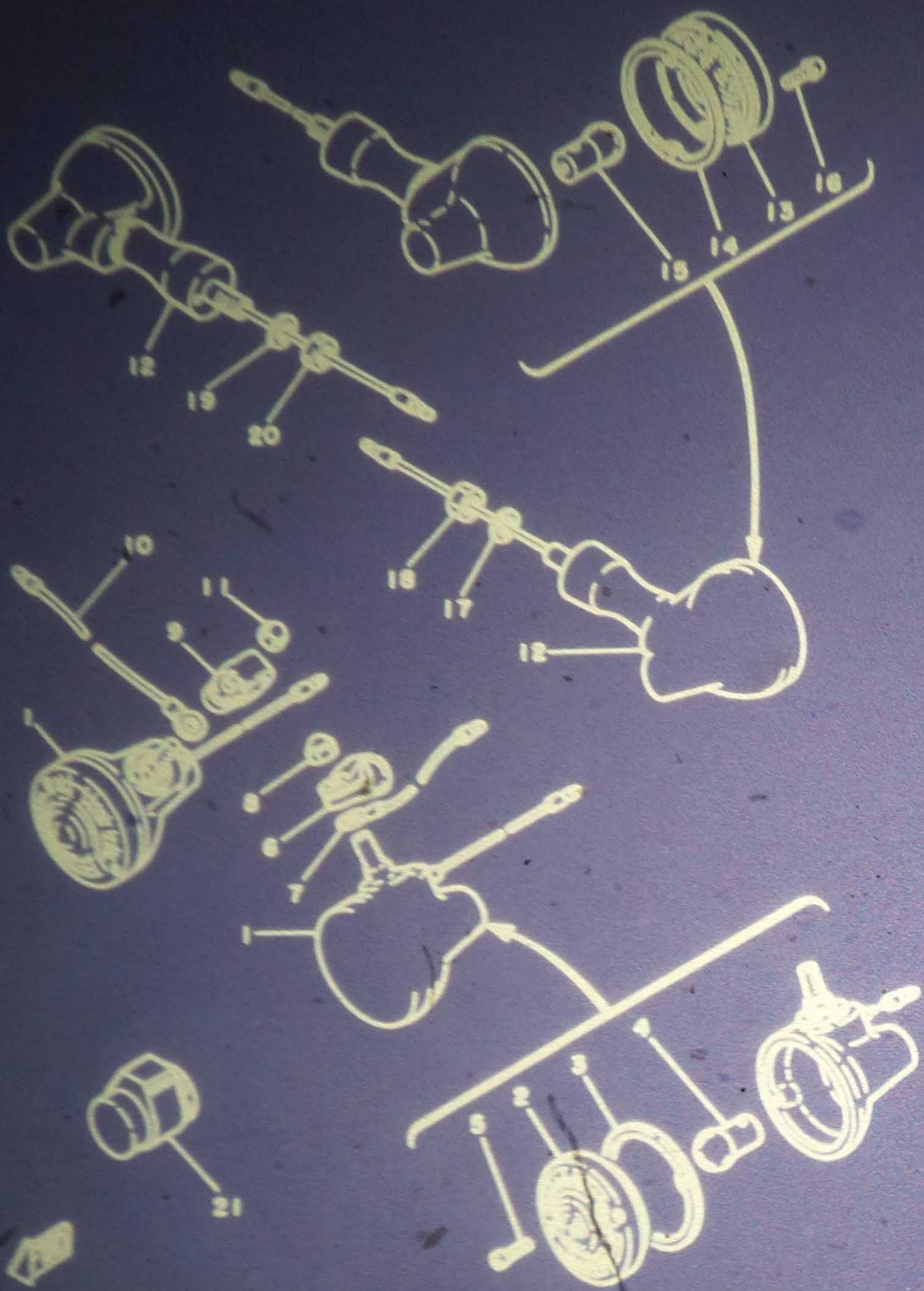
FIG. 26 STAND.FOOTREST

REF. NO.	PART NO.	DESCRIPTION	Q'TY	REMARKS
29	95301-06700	NUT	1	



D6

FIG. 27 FLASHER LIGHT

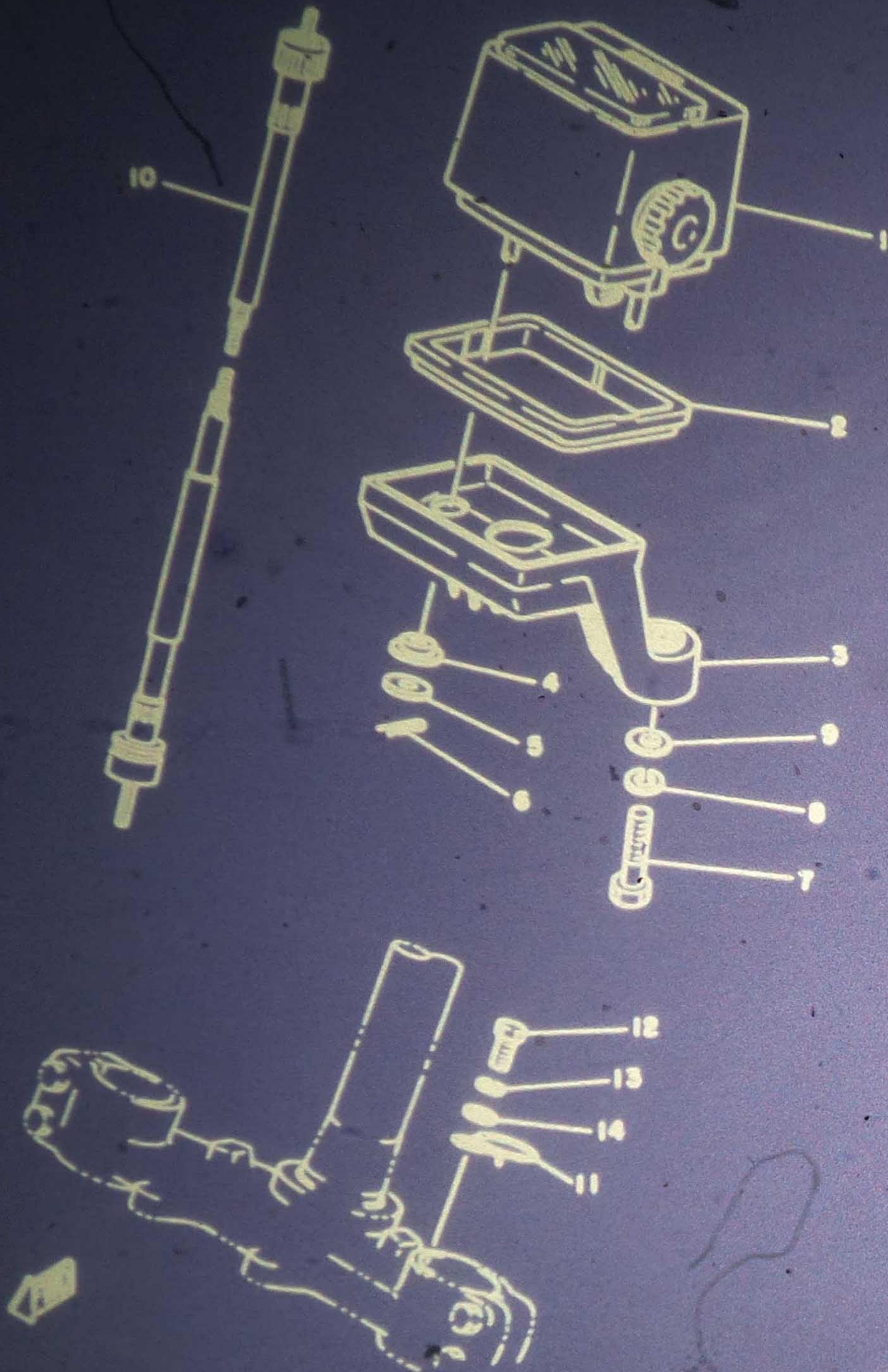


REF. NO.	PART NO.	DESCRIPTION	Q'TY	REMARKS
1	3W1-83310-00	FRONT FLASHER LIGHT ASSY 1	2	
2	341-83312-70	•LENS, flasher	1	
3	1M1-83313-60	•GASKET, flasher lens	1	
4	152-83311-10	•BULB (6V-10W)	1	
5	97701-30520	•SCREW, Panhead tapping	2	
6	1M1-83313-00	STAY, flasher 1	1	
7	1J7-83354-00	WIRE, earth lead 1	1	
8	95303-08800	NUT, crown	1	
9	1M1-83313-00	STAY, flasher 1	1	
10	1J7-83354-00	WIRE, earth lead 1	1	
11	95303-08800	NUT, crown	1	
12	3W1-83330-00	REAR FLASHER LIGHT ASSY 1	2	
13	341-83312-70	•LENS, flasher	1	
14	1M1-83313-60	•GASKET, flasher lens	1	
15	152-83311-10	•BULB (6V-10W)	1	
16	97701-30520	•SCREW, Panhead tapping	2	
17	92901-10100	WASHER, sPring	1	
18	95301-10600	NUT	1	
19	92901-10100	WASHER, sPring	1	
20	95301-10600	NUT	1	
21	3E1-83350-11	FLASHER RELAY ASSY	1	

D7

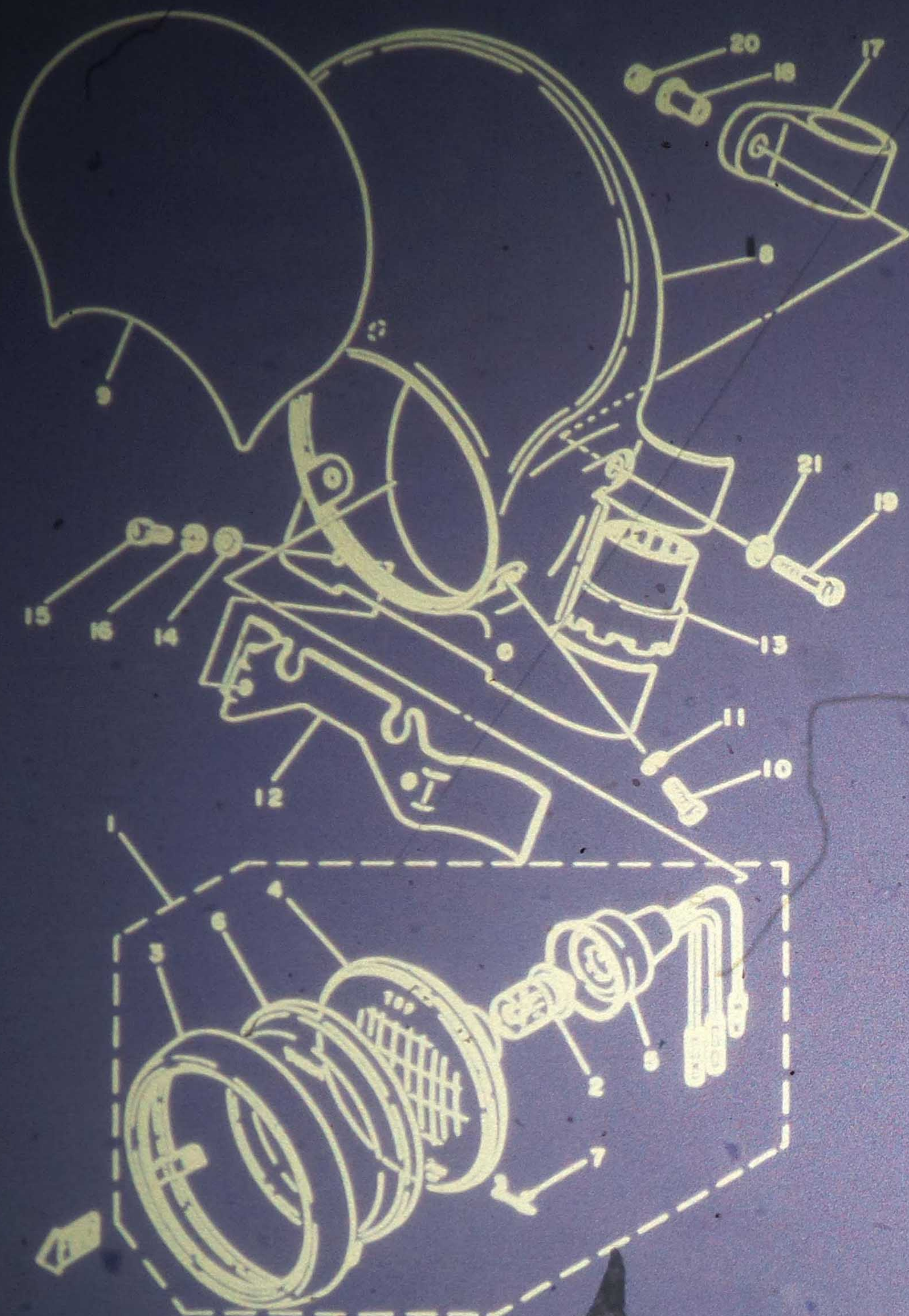
FIG. 28 SPEEDOMETER

REF. NO.	PART NO.	DESCRIPTION	Q'TY	REMARKS
1	3R8-83570-F0	SPEEDOMETER ASSY	1	km/h
2	3R8-83513-00	DAMPER	1	
3	3R8-83519-00	BRACKET, meter	1	
4	1M1-83526-00	DAMPER 2	2	
5	1E6-83524-60	WASHER, special	2	
6	90468-12007	CLIP	2	
7	97321-06030	BOLT	2	
8	92901-06100	WASHER, spring	2	
9	92901-06600	WASHER, plate	2	
10	3R9-83550-50	SPEEDOMETER CABLE ASSY	1	
11	2A8-83595-00	CLAMP	1	
12	97301-06012	BOLT	1	
13	92901-06100	WASHER, spring	1	
14	92901-06600	WASHER, plate	1	



D8

FIG. 29 HEADLIGHT

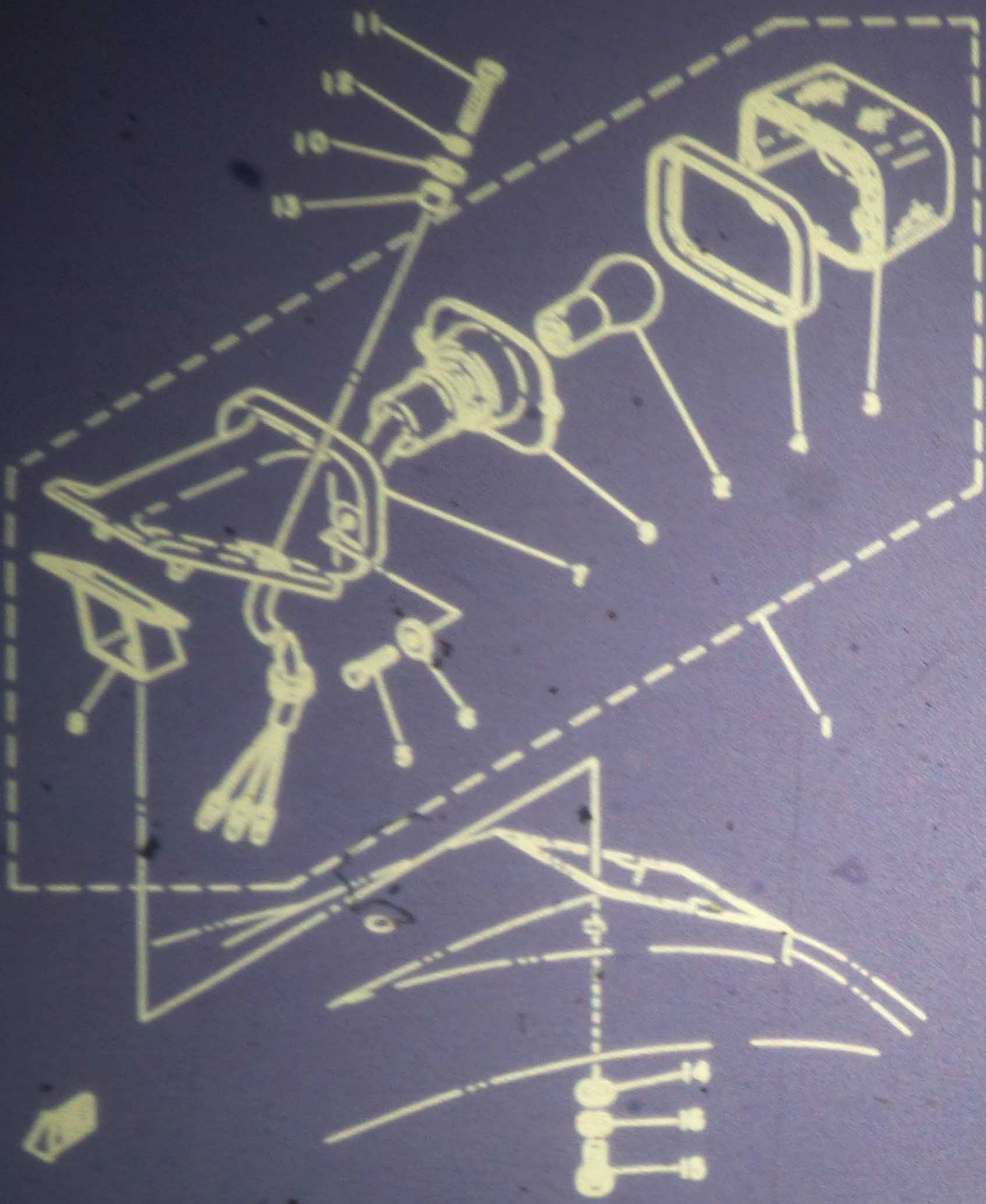


REF. NO.	PART NO.	DESCRIPTION	Q'TY	REMARKS
1	3R8-84110-61	HEADLIGHT UNIT ASSY	1	
2	527-84114-09	•BULB (6V-25/25W)	1	
3	3R8-84115-60	•RIM, headlight	1	
4	3R8-84120-60	•LENS ASSY	1	
5	3R8-84140-61	•SOCKET CORD ASSY	1	
6	3R8-84144-60	•COVER, headlight	1	
7	1W2-84324-60	•SPRING, lens fitting	4	
8	3R9-84130-00	BODY ASSY, headlight	1	sky blue
9	3R8-84141-01	EMBLEM, headlight	1	
10	98501-05016	SCREW, Pan head	2	
11	92901-05100	WASHER, sPring	2	
12	3R9-84181-00	BRACKET, lower 1	1	
13	3R9-84164-10	DAMPER	2	
14	90201-06571	WASHER, Plate	2	
15	92501-06012	SCREW, Pan head	2	
16	92901-06100	WASHER, sPring	2	
17	3R9-84163-10	DAMPER	2	
18	3R8-84133-00	COLLAR, screw	2	
19	92501-06030	SCREW, Pan head	2	
20	90185-06062	NUT, self-locking	2	
21	90201-06407	WASHER, Plate	2	

Dy

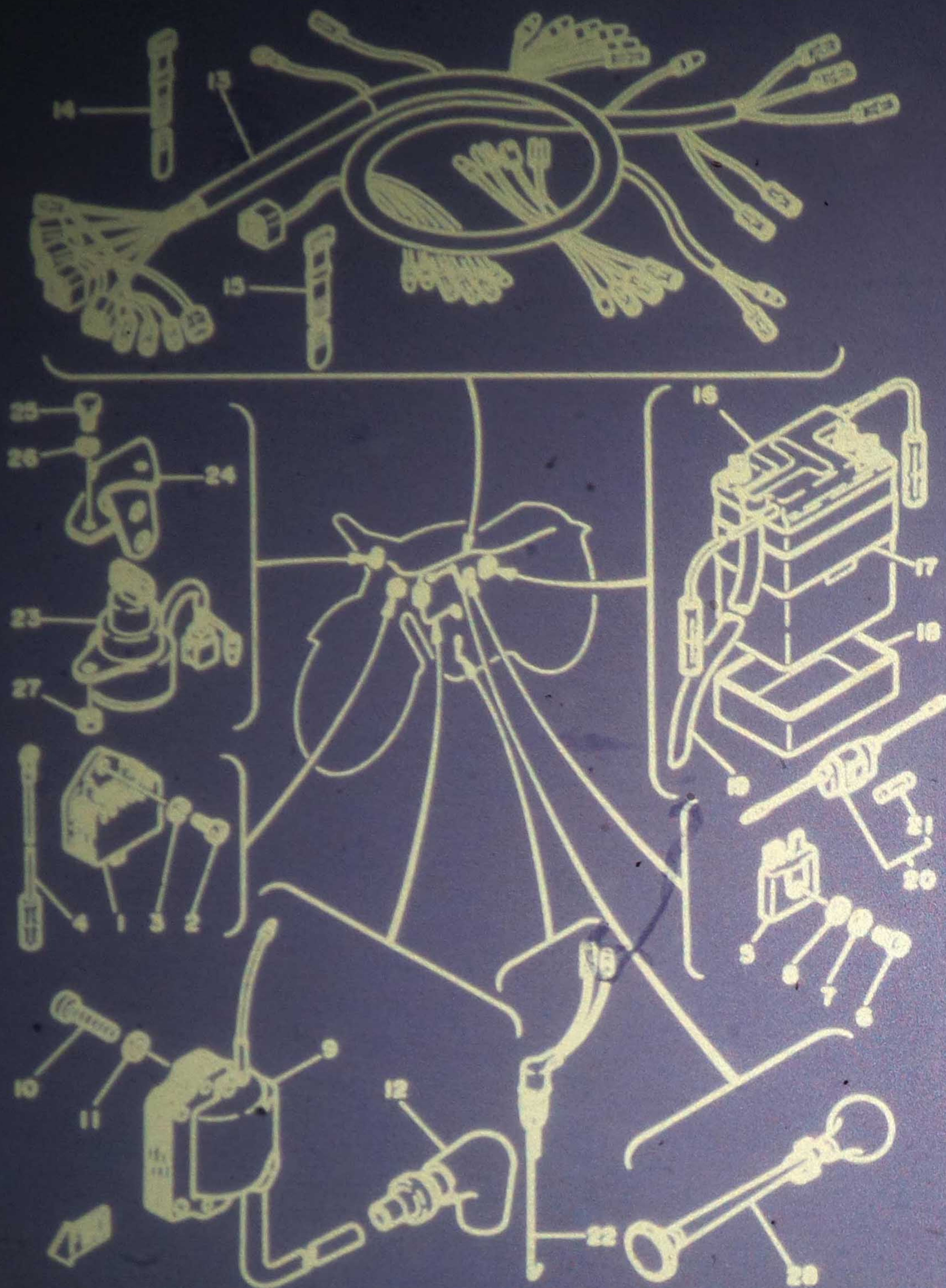
FIG. 30 TAILLIGHT

REF. NO.	PART NO.	DESCRIPTION	Q'TY	REMARKS
1	3M1-84500-60	TAILLIGHT ASSY	1	
2	122-84514-00	*BULB (5V-10/3W)	1	
3	434-84521-69	*LENS, taillight	1	
4	434-84515-61	*RING, taillight	1	
5	434-84562-62	*BOLT, filling	2	
6	434-84522-62	*WASHER	2	
7	3M1-84519-60	*BRACKET, taillight	1	
8	3M1-84511-60	*BASE, taillight	1	
9	434-84517-61	*CORD, taillight	1	
10	434-84522-62	WASHER	2	
11	08500-04025	SCREW, Pan head	2	
12	92906-04100	WASHER, sPring	2	
13	90387-04007	COLLAR	2	
14	92901-08200	WASHER, Plain	1	
15	97301-08012	BOLT	1	
16	92901-08100	WASHER, sPring	1	



D10

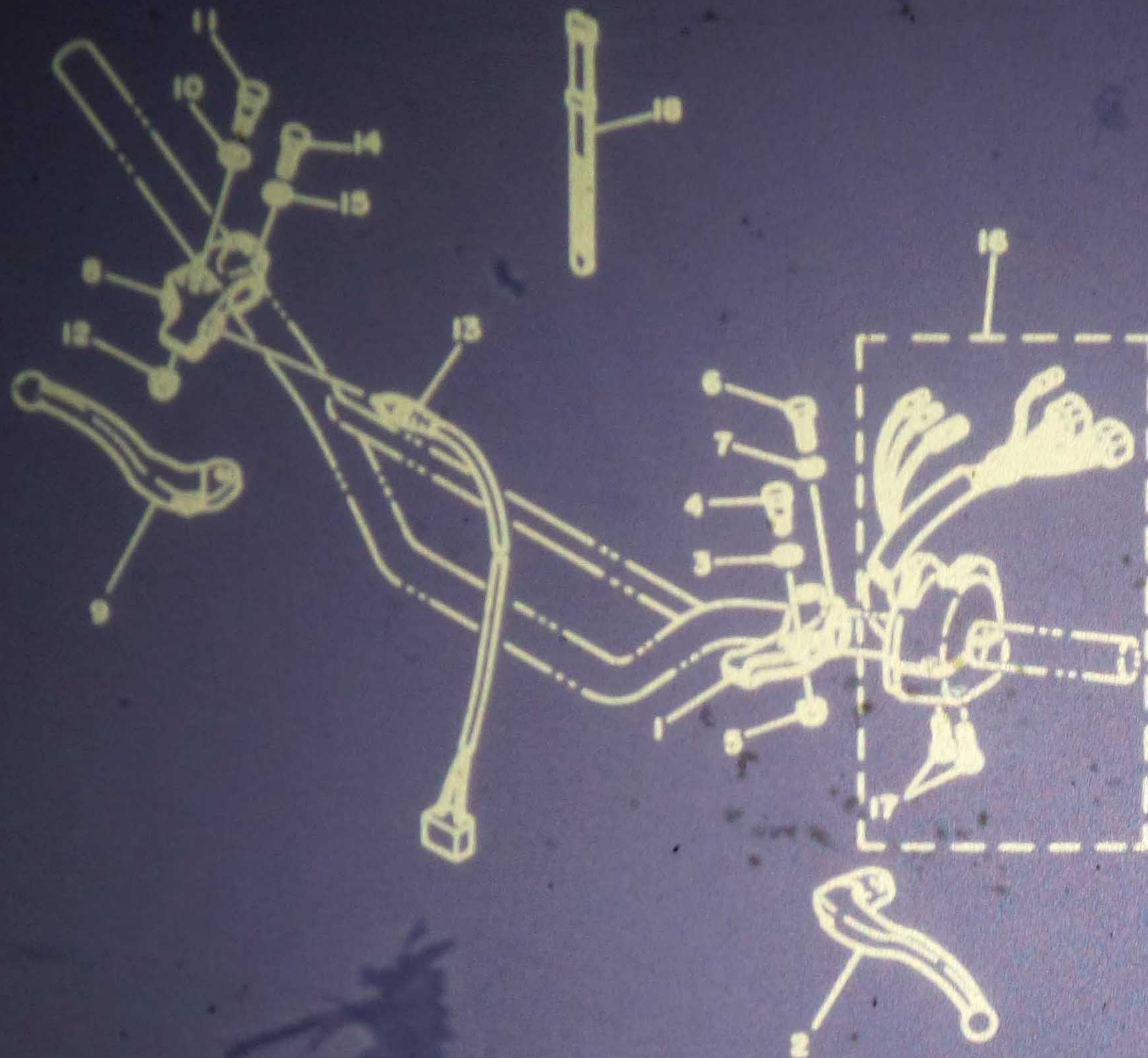
FIG. 31 ELECTRICAL 1



REF. NO.	PART NO.	DESCRIPTION	Q'TY	REMARKS
1	4F4-81910-80	VOLTAGE REGULATOR ASSY	1	
2	92501-06012	SCREW, Pan head	1	
3	92901-06100	WASHER, sPrinE	1	
4	558-82116-00	WIRE, minus lead	1	
5	353-81970-50	RECTIFIER ASSY	1	
6	98501-05020	SCREW, Pan head	1	
7	92901-05100	WASHER, sPrinE	1	
8	92901-05600	WASHER, Plate	1	
9	1M2-82310-40	IGNITION COIL ASSY	1	
10	92501-06025	SCREW, Pan head	2	
11	92901-06100	WASHER, sPrinE	2	
12	3R0-82370-20	PLUG CAP ASSY	1	
13	3W1-82590-01	WIRE HARNESS ASSY	1	
14	437-83936-00	BAND, switch cord	1	
15	437-83936-10	BAND, switch cord	1	
16	2E9-82110-11	BATTERY ASSY (6M2-2A-7)	1	
17	3W1-82131-00	BAND, battery	1	
18	3W1-82122-00	SEAT, battery	1	
19	90445-06336	HOSE	1	
20	353-82150-00	FUSE HOLDER ASSY	1	
21	116-82151-00	FUSE (6V-10A)	1	
22	3J0-82530-00	STOP SWITCH ASSY	1	
23	3W1-82506-00	MAIN SWITCH ASSY	1	
24	3W1-82514-00	STAY, main switch	1	
25	97306-06010	BOLT	2	
26	92901-05100	WASHER, sPrinE	2	
27	95301-05600	NUT	2	
28	8F4-83371-00	HORN	1	

D11

FIG. 32 HANDLE SWITCH-LEVER



REF. NO.	PART NO.	DESCRIPTION	Q'TY	REMARKS
1	498-82911-00	HOLDER, lever 1	1	
2	3M2-83912-00	LEVER 1	1	
3	90201-08083	WASHER, Plate	1	
4	90109-06410	BOLT	1	
5	95601-06100	NUT, u	1	
6	97301-06022	BOLT	1	
7	92901-06100	WASHER, sPrinE	1	
8	361-82921-31	HOLDER, lever 2	1	
9	3M2-83922-00	LEVER 2	1	
10	90201-08083	WASHER, Plate	1	
11	90109-06410	BOLT	1	
12	95601-06100	NUT, u	1	
13	1M1-83980-30	FRONT STOP SWITCH ASSY	1	
14	97301-06022	BOLT	1	
15	92901-06100	WASHER, sPrinE	1	
16	3M1-83972-00	SWITCH, handle 4	1	
17	98908-05022	•SCREW, Pan head	2	
18	437-83936-00	BAND, switch cord	2	

FIG. 33 REPAIR KIT

REF. NO.	PART NO.	DESCRIPTION	Q'TY	REMARKS
1	3R9-11630-00	PISTON ASSY (STD)	1	
2	3R9-11631-00-96	.PISTON (STD)	1	UR
	3R9-11631-00-97	.PISTON (STD)	1	UR
3	3R9-11610-00	.PISTON RING SET (STD)	1	
4	137-11633-00	.PIN, Piston	1	
5	93450-17044	.CIRCLIP	2	
6	3R9-11630-10	PISTON ASSY (1ST O/S)	1	
7	3R9-11635-00	.PISTON (1ST O/S 0.25MM)	1	
8	3R9-11610-10	.PISTON RING SET (1ST O/S)	1	
9	137-11633-00	.PIN, Piston	1	
10	93450-17044	.CIRCLIP	2	
11	3R9-11630-20	PISTON ASSY (2ND O/S)	1	
12	3R9-11636-00	.PISTON (2ND O/S 0.50MM)	1	
13	3R9-11610-20	.PISTON RING SET (2ND O/S)	1	
14	137-11633-00	.PIN, Piston	1	
15	93450-17044	.CIRCLIP	2	
16	3R9-11630-30	PISTON ASSY (3RD O/S)	1	
17	3R9-11637-00	.PISTON (3RD O/S 0.75MM)	1	
18	3R9-11610-30	.PISTON RING SET (3RD O/S)	1	
19	137-11633-00	.PIN, Piston	1	
20	93450-17044	.CIRCLIP	2	
21	3R9-11630-40	PISTON ASSY (4TH O/S)	1	
22	3R9-11638-00	.PISTON (4TH O/S 1.00MM)	1	
23	3R9-11610-40	.PISTON RING SET (4TH O/S)	1	
24	137-11633-00	.PIN, Piston	1	
25	93450-17044	.CIRCLIP	2	
26	3R9-11650-00	CONNECTING ROD ASSY	1	
27	168-11651-00	.ROD, connecting	1	

D13

FIG. 33 REPAIR KIT

REF. NO.	PART NO.	DESCRIPTION	Q'TY	REMARKS
28	3M5-11681-00	.PIN, crank 1	1	
29	93310-422H0	.BEARING, cylindrical	1	
30	90209-22071	.WASHER	2	
31	93310-216A3	.BEARING, cylindrical	1	
32	3R9-W0001-01	GASKET KIT	1	
33	2X3-11181-00	.GASKET, cylinder head 1	1	
34	1W1-11351-00	.GASKET, cylinder	1	
35	311-13621-01	.GASKET, valve seat	1	
36	3R3-14613-00	.GASKET, exhaust Pipe	1	
37	90430-12038	.GASKET	1	
38	1W1-15455-00	.GASKET, crankcase cover	1	
39	1W1-15451-00	.GASKET, crankcase cover	1	
40	93210-14104	.O-RING	1	

D14