



YAMAHA

PARTS CATALOGUE

IT175H (3R6)

A2

FOREWORD

This Parts Catalogue is related to the parts in use for the Yamaha IT 175H (3R6).
When you are ordering replacement parts for the IT 175H (3R6), refer to this Parts Catalogue and quote both part numbers and part names correctly.

1. Modifications or additions which have been made after issue of the Parts Catalogue will be announced in the Yamaha Parts News.
It is advisable that according to the Yamaha Parts News you make necessary corrections to the Parts Catalogue on hand to keep it up-to-date.

2. Abbreviations

The following abbreviations are used in this Parts Catalogue.

- U.R. Use size (thickness) and/or number as required.
- U.N. Use as many as you need.
- A.P. Alternate Parts
- L.M. Local Made
- F# Frame No. (Applicable machine No.)

3. The parts marked with (+) in the parts number column of this Catalogue are not supplied with by Yamaha, those have to be found locally.

4. Parts, which are to be supplied in the form of assemblies, are listed with an indentation of one letter's space, and a dot (.) is put against the name of each part.

EXAMPLE CARBURETOR ASS'Y
 . JET, pilot
 . NOZZLE, main

5. Indication of No. of constituent parts for assembly

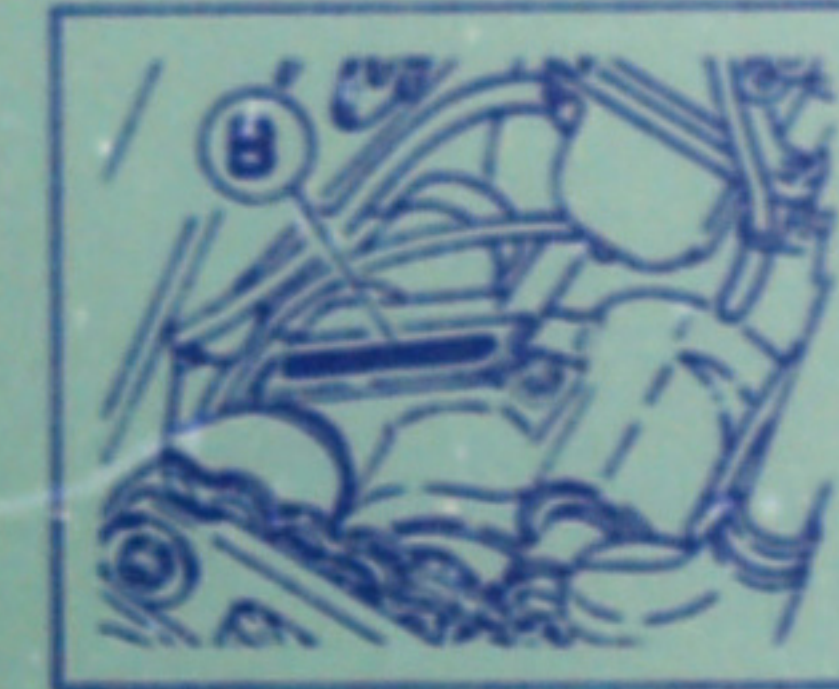
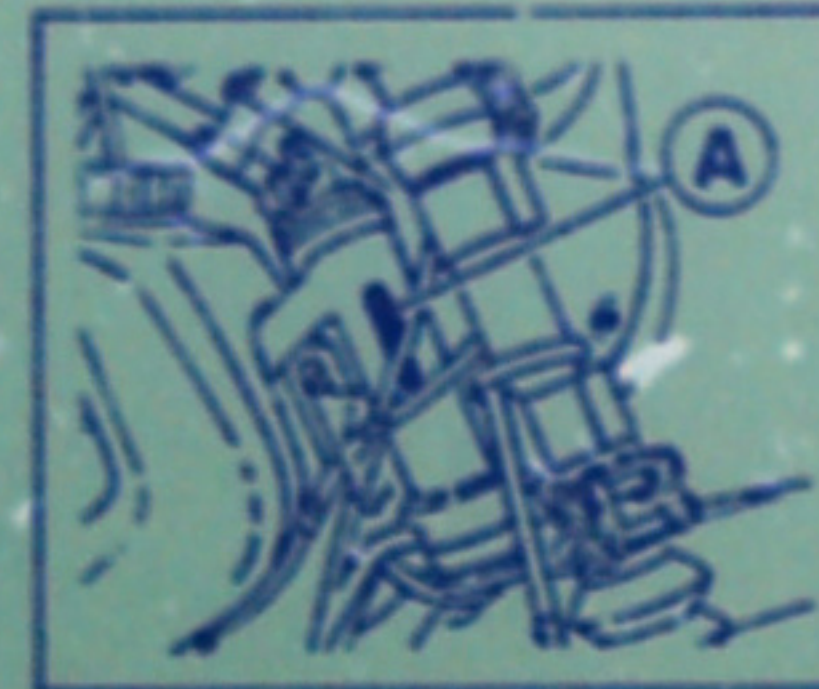
The numeral appearing to the right of each constituent part under the description indicates the quantity of such parts for each individual assembly unit.

EXAMPLE

Part No.	Description	Q'ty	Remarks
2F5-83310-60	FRONT FLASHER LIGHT ASS'Y	2	
115-83311-60	. BULB (6V-18W)	1	
1M1-83309-60	. REFLECTOR	1	

6. Initial Serial No. and Color Code

(A) Frame Serial No.	3R6-020101 and following
(B) Engine Serial No.	3R6-020101 and following



Color Code	Color Name	Abbreviate
	Sky Blue	

7. Applicable colors of graphics are represented in the "Remarks" column by the letter(s) appropriately picked out of the full word(s) showing such colors.

EXAMPLE

Part No.	Description	Q'ty	Remarks
2N4-24110-00-X5	FUEL TANK COMP.	1	MAXIM RED
3J1-24240-10	. GRAPHIC, fuel tank set	1	for MXR

CONTENTS

ENGINE

Cylinder	B2
Crankshaft · Piston	B3
C.D.I Magneto	B4
Intake	B5
Carburetor	B6 ~ B7
Exhaust	B8
Crankcase	B9
Crankcase Cover	B10
Kick Starter	B11
Clutch	B12 ~ B13
Transmission	B14 ~ B15
Shift Cam · Fork	C2
Shift Shaft · Pedal	C3

CHASSIS

Frame	C4
Front Fender · Rear Fender	C5
Side Cover	C6
Rear Arm	C7 ~ C8
Rear Suspension	C9 ~ C10
Steering	C11
Front Fork	C12 ~ C13
Fuel Tank	C14 ~ C15
Seat	D2
Front Wheel	D3
Rear Wheel	D4 ~ D5
Handlebar · Cable	D6 ~ D7
Stand · Footrest	D8 ~ D9
Meter	D10

Headlight	D11
Taillight	D12
Electrical 1	D13
Handle Switch · Lever	D14

ALTERNATE PARTS

Alternate (Chassis)	D15
---------------------------	-----

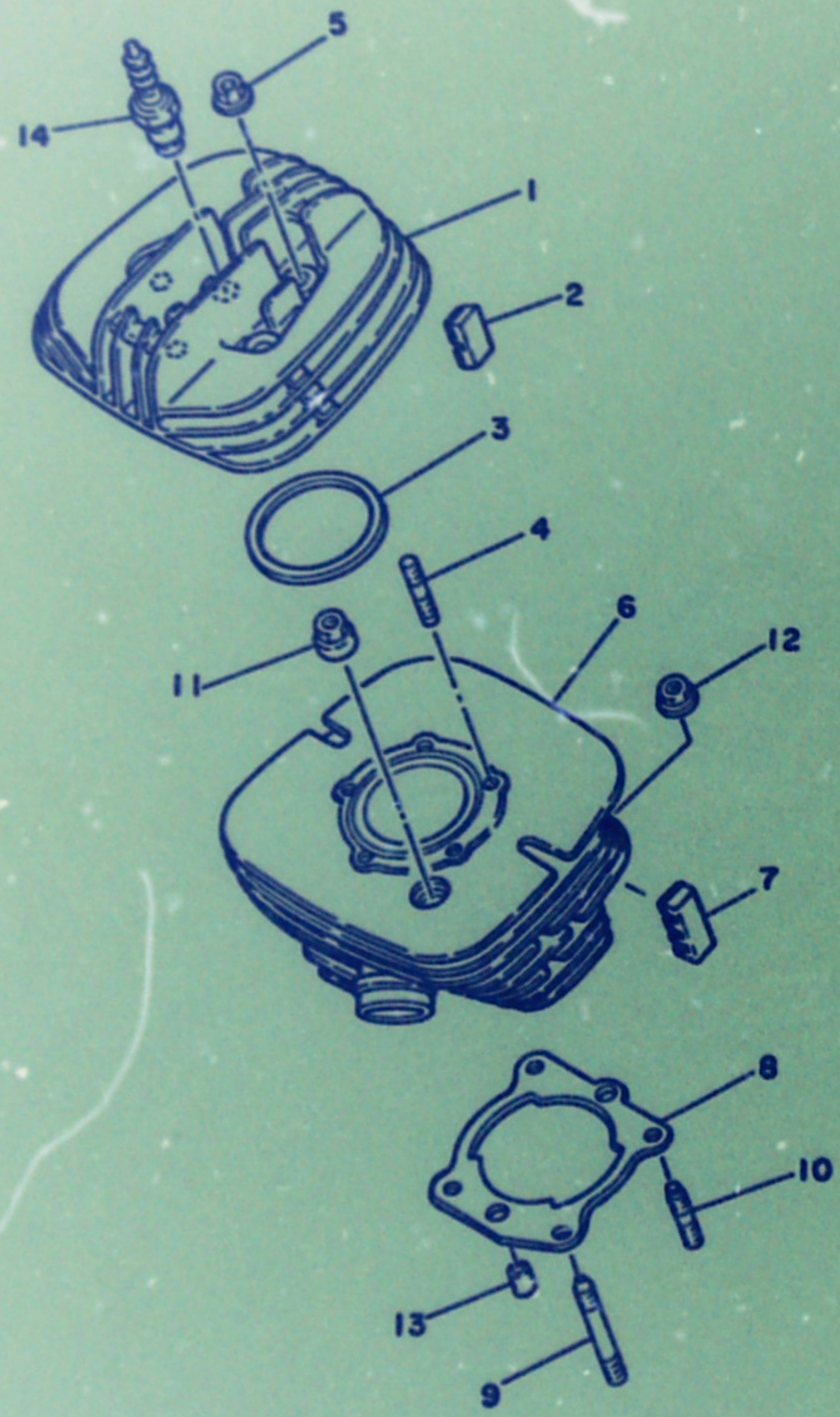
REPAIR KIT

Repair Kit	E2 ~ E3
------------------	---------

INDEX

Numerical Index	M1 ~ M3
Parts Name Index	M11 ~ M16

FIG. 1 CYLINDER

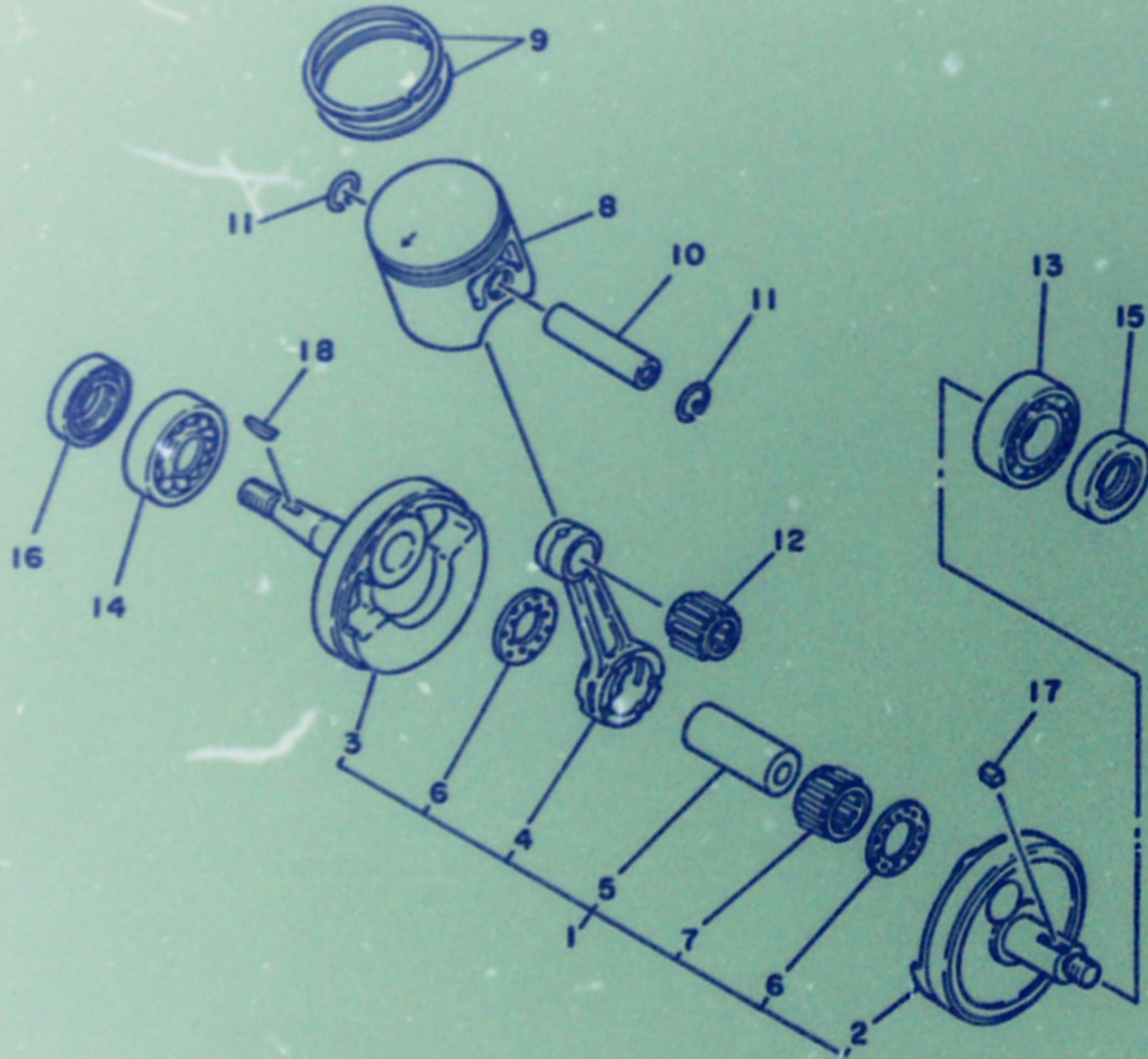


REF. NO.	PART NO.	DESCRIPTION	Q'TY	REMARKS
1	3R6-11111-00	HEAD, cylinder 1	1	
2	3R6-11161-00	ABSORBER 1	4	
3	3R6-11181-00	GASKET, cylinder head 1	1	
4	90116-08321	BOLT, stud	5	
5	90179-08299	NUT	5	
6	3R6-11311-00	CYLINDER 1	1	
7	3R6-11162-00	ABSORBER 2	4	
8	3R3-11351-00	GASKET, cylinder	1	
9	90116-09319	BOLT, stud	1	
10	90116-08318	BOLT, stud	3	
11	90179-08293	NUT	1	
12	90179-08299	NUT	3	
13	91810-02014	PIN, dowel	2	
14	*	PLUG, sPark (CHAMPION N2G)	1	LM

FWD

B2

FIG. 2 CRANKSHAFT-PISTON



REF. NO.	PART NO.	DESCRIPTION	Q'TY	REMARKS
1	3R6-11400-00	CRANKSHAFT ASSY	1	
2	3R3-11412-00	•CRANK 1	1	
3	3R6-11422-00	•CRANK 2	1	
4	1G8-11651-00	•ROD, connecting	1	
5	3M5-11681-00	•PIN, crank 1	1	
6	90209-22071	•WASHER	2	
7	93310-422H0	•BEARING, cylindrical	1	
8	3R6-11631-00-96	PISTON (STD)	1	UR
	3R6-11631-00-97	PISTON (STD)	1	UR
	3R6-11635-00	PISTON (1ST O/S 0.25MM)	1	AP
	3R6-11636-00	PISTON (2ND O/S 0.50MM)	1	AP
	3R6-11637-00	PISTON (3RD O/S 0.75MM)	1	AP
	3R6-11638-00	PISTON (4TH O/S 1.00MM)	1	AP
9	2W6-11601-00	PISTON RING SET (STD)	1	
	2W6-11601-10	PISTON RING SET (1ST O/S)	1	AP
	2W6-11601-20	PISTON RING SET (2ND O/S)	1	AP
	2W6-11601-30	PISTON RING SET (3RD O/S)	1	AP
	2W6-11601-40	PISTON RING SET (4TH O/S)	1	AP
10	251-11633-00	PIN, Piston	1	
11	93450-17025	CIRCLIP	2	
12	93310-216E1	BEARING, cylindrical	1	
13	93306-30406	BEARING (B6304C3)	1	
14	93306-20529	BEARING (B6205C4)	1	
15	93103-28100	OIL SEAL	1	
16	93102-25214	OIL SEAL	1	
17	90282-05038	KEY, straight	1	
18	90280-03017	KEY, woodruff	1	

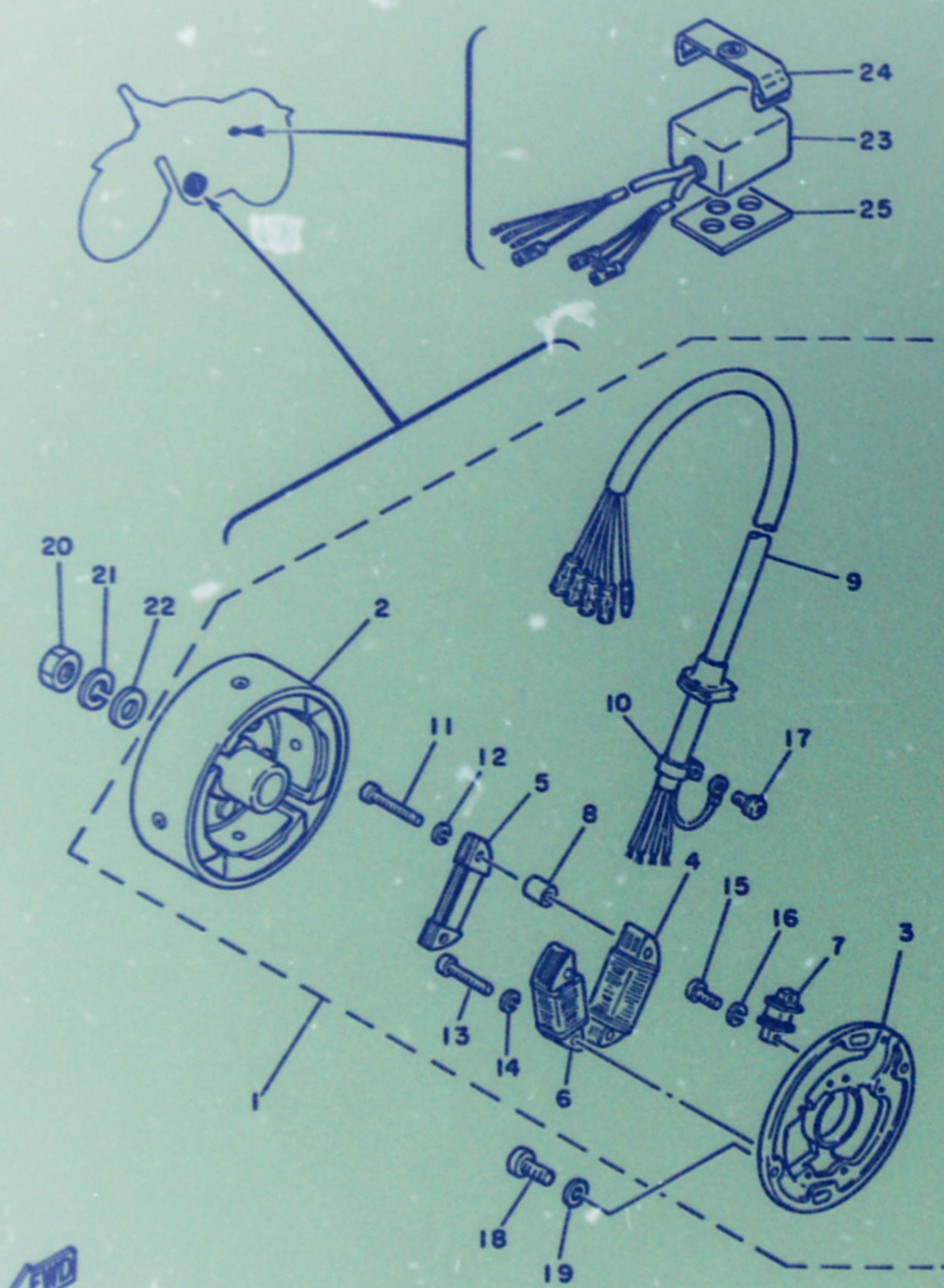
FWD

B3

FIG. 3 C.D.I MAGNETO

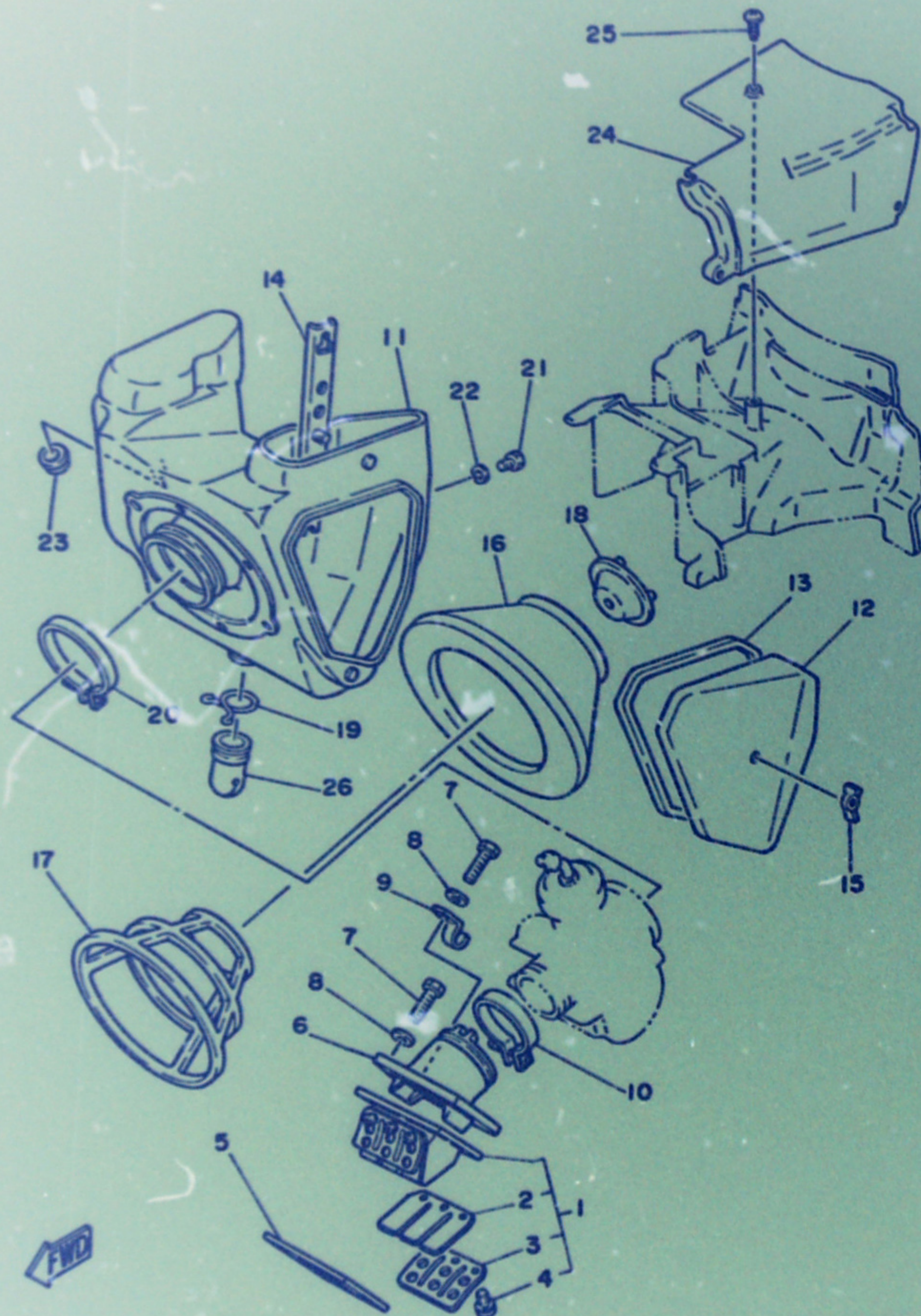
Lee Waldie Craig Scott Chris Koira

REF. NO.	PART NO.	DESCRIPTION	Q'TY	REMARKS
1	3R6-85500-20	C.D.I. MAGNETO ASSY	1	
2	3R6-85550-20	•ROTOR ASSY	1	
3	3R5-85509-20	•BASE, magneto	1	
4	3R5-85511-20	•COIL, source	1	
5	3R5-85512-20	•COIL, source	1	
6	1W2-85513-20	•COIL, lighting 1	1	
7	3R6-85580-20	•COIL, Pulser	1	
8	1W2-85516-20	•SPACER	2	
9	3R6-85515-20	•LEAD WIRE ASSY	1	
10	104-81328-20	•CLAMP	1	
11	98501-04035	•SCREW, Pan head	2	
12	92901-04100	•WASHER, sPring	2	
13	98501-04030	•SCREW, Pan head	2	
14	92901-04100	•WASHER, sPring	2	
15	98501-04014	•SCREW, Pan head	1	
16	92901-04100	•WASHER, sPring	1	
17	110-81345-21	•SCREW, Pan head	1	
18	92501-06015	SCREW, Pan head	2	
19	92901-06600	WASHER, Plate	2	
20	90170-12067	NUT	1	
21	92901-12100	WASHER, sPring	1	
22	90201-12593	WASHER, Plate	1	
23	2W6-85540-20	C.D.I. UNIT ASSY	1	
24	288-21376-00	BAND, tool	1	
25	2K7-85547-00	DAMPER	1	



B4

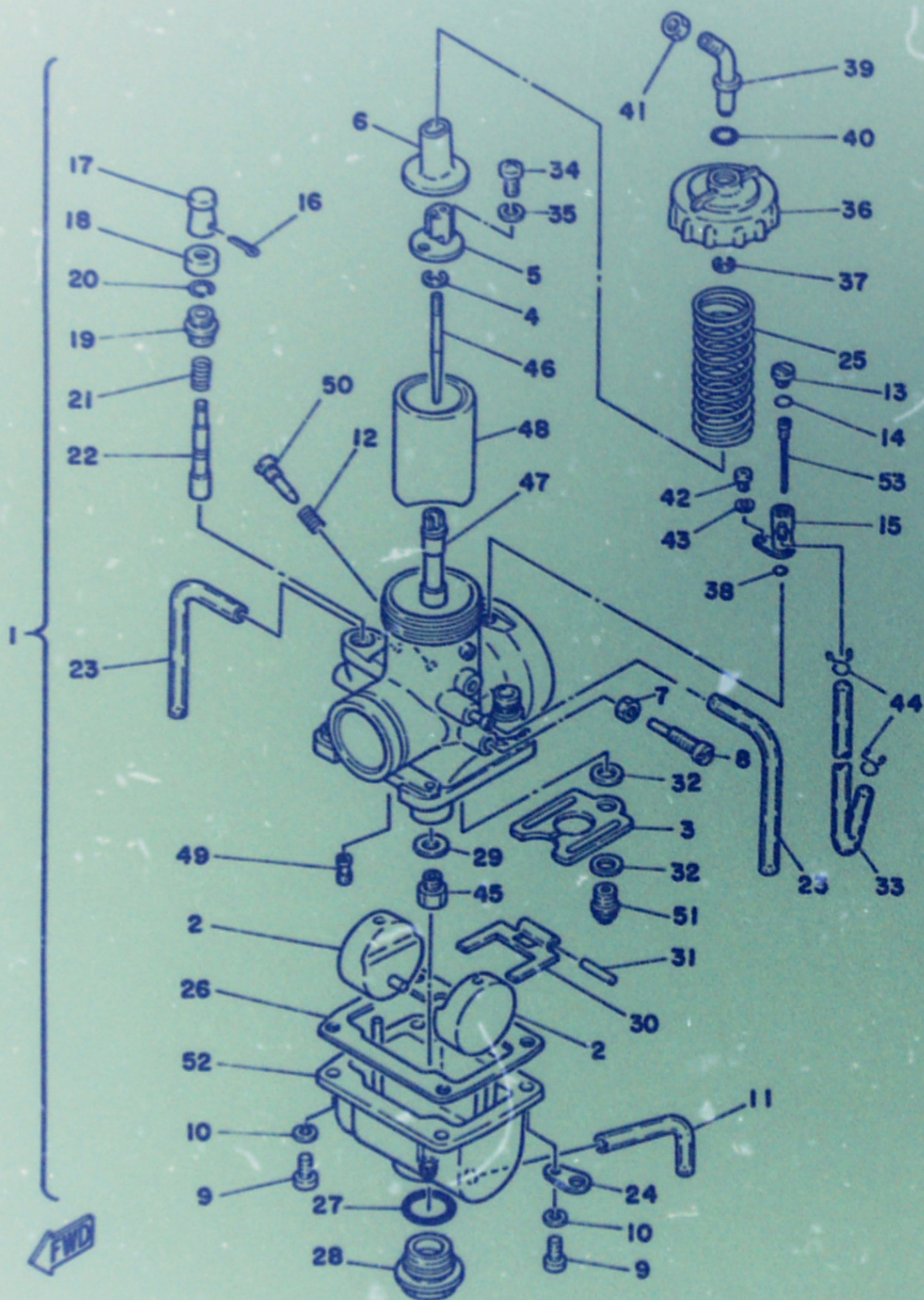
FIG. 4 INTAKE



REF. NO.	PART NO.	DESCRIPTION	Q'TY	REMARKS
1	3R6-13610-00	REED VALVE ASSY	1	
2	3R3-13613-00	•REED, valve	2	
3	3R6-13616-00	•STGPPER, reed valve	2	
4	97602-03108	•SCREW, Pan head with washer	6	
5	3R3-13621-00	GASKET, valve seat	1	
6	3R3-13565-00	JDINT, carburetor	1	
7	97301-06025	BOLT	4	
8	92901-06600	WASHER, Plate	4	
9	90462-05005	CLAMP	1	
10	90460-49058	CLAMP, hose	1	
11	3R6-14401-01	AIR CLEANER CASE ASSY	1	
12	3R3-14412-01	CAP, cleaner case 1	1	
13	3R3-14452-00	SEAL	1	
14	3R3-14494-00	STAY 2	1	
15	90175-06012	NUT, wing	1	
16	3R3-W1442-01	ELEMENT, air cleaner	1	
17	3R3-14458-00	GUIDE	1	
18	3R3-14468-00	PLATE, element fitting	1	
19	90467-20030	CLIP	1	
20	90460-64065	CLAMP, hose	1	
21	97301-06012	BOLT	2	
22	92901-06100	WASHER, sPring	2	
23	90480-13197	GROMMET	1	
24	3R6-14437-00	DUCT	1	
25	97702-50116	SCREW, tapping	3	
26	3R6-14457-00	SEAL	1	

B5

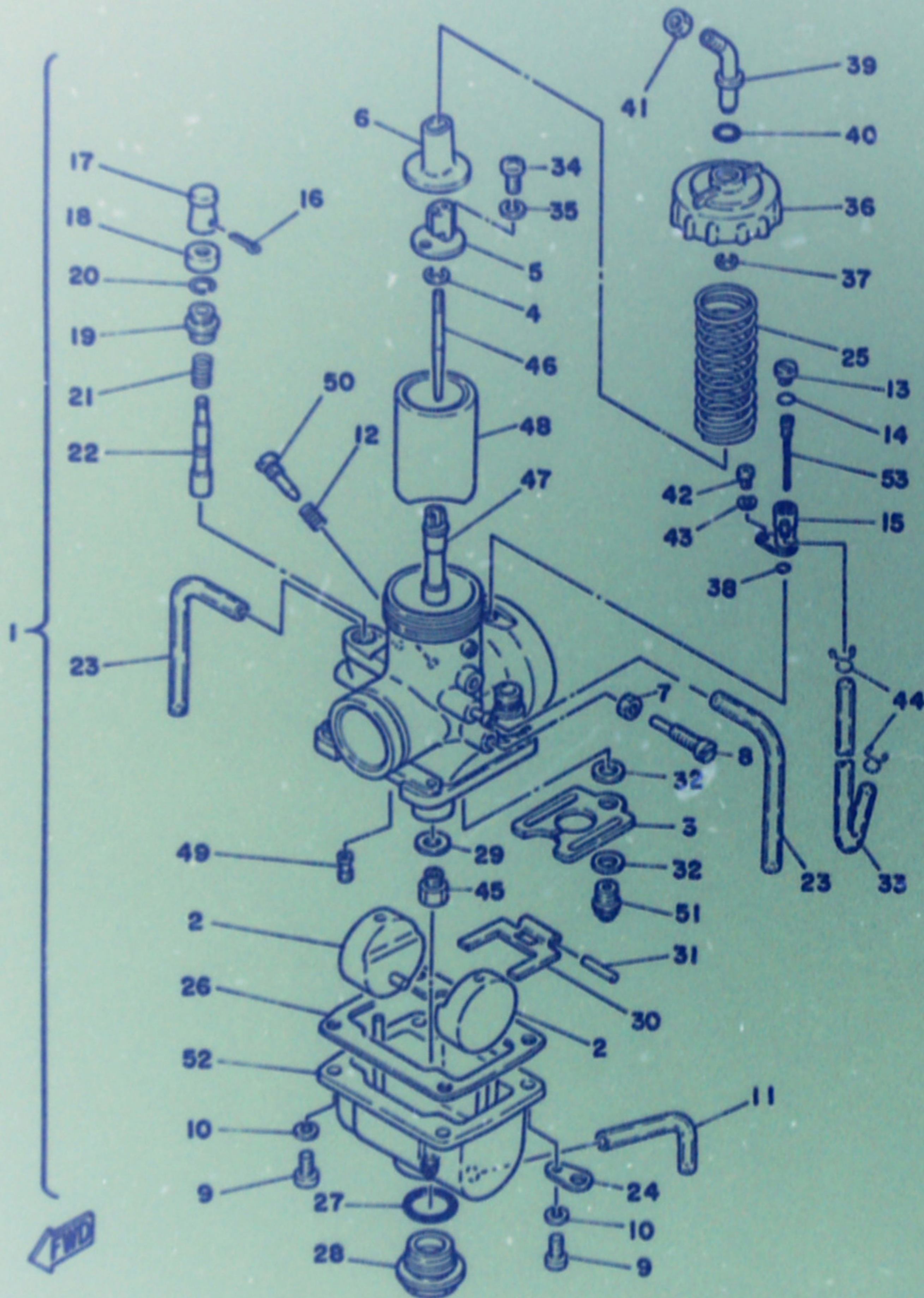
FIG. 5 CARBURETOR



REF. NO.	PART NO.	DESCRIPTION	Q'TY	REMARKS
1	3R6-14101-00	CARBURETOR ASSY 1	1	
2	310-14185-00	•FLOAT	1	
3	483-14146-00	•PLATE	1	
4	164-14137-00	•CLIP	1	
5	509-14274-00	•CONNECTOR	1	
6	509-14136-00	•SEAT, sPrinG	1	
7	802-14161-00	•NUT, cable adjusting	1	
8	204-14122-00	•SCREW, throttle	1	
9	98501-05015	•SCREW, Pan head	4	
10	92902-05100	•WASHER, sPrinG	4	
11	493-14196-00	•PIPE	1	
12	127-14134-00	•SPRING, air adjusting	1	
13	362-14115-00	•PLUG, screw	1	
14	822-14147-00	•O-RING	1	
15	1X2-14244-00	•HOLDER, nozzle	1	
16	91402-16015	•PIN, cotter	1	
17	737-14261-00	•HOLDER	1	
18	637-14173-00	•COVER, PlunGer cap	1	
19	152-14174-00	•CAP, PlunGer	1	
20	353-14138-00	•CLIP, PlunGer	1	
21	132-14135-00	•SPRING, PlunGer	1	
22	737-14171-01	•PLUNGER, starter	1	
23	310-14197-00	•PIPE	2	
24	313-14146-00	•PLATE	2	
25	363-14131-00	•SPRING, throttle valve	1	
26	483-14184-00	•GASKET, float chamber	1	
27	2K6-14147-00	•O-RING	1	
28	2K6-14115-00	•PLUG, screw	1	

B6

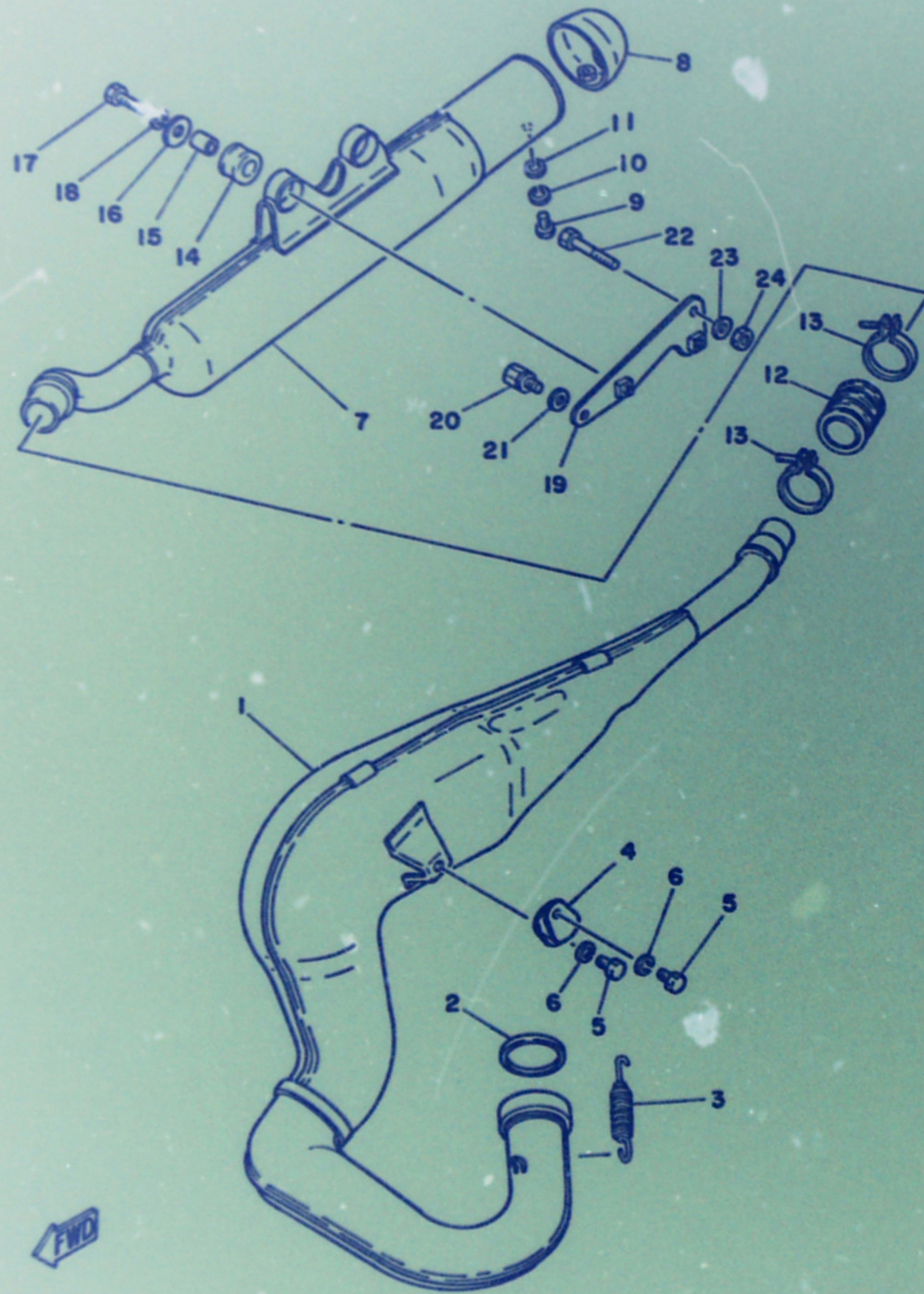
FIG. 5 CARBURETOR



REF. NO.	PART NO.	DESCRIPTION	Q'TY	REMARKS
29	537-14153-00	•WASHER, main Jet	1	
30	310-14187-00	•ARM, float	1	
31	537-14186-00	•PIN, float	1	
32	239-14195-00	•WASHER, needle valve	2	
33	3V3-14987-00	•HOSE	1	
34	98503-03006	•SCREW, Pan head	2	
35	92901-03100	•WASHER, sPrinG	2	
36	3R3-14158-00	•TOP, mixing chamber	1	
37	363-14137-00	•CLIP	1	
38	214-14147-00	•O-RING	1	
39	3R3-14155-00	•GUIDE, cable	1	
40	8F2-14147-00	•O-RING	1	
41	127-14161-00	•NUT, cable adjusting	1	
42	98502-04008	•SCREW, Pan head	1	
43	92902-04100	•WASHER, sPrinG	1	
44	8A7-14139-00	•CLIP, PiPe	2	
45	137-14143-42	•JET, main (#210)	1	UR STD
	137-14143-40	•JET, main (#200)	1	UR
	137-14143-44	•JET, main (#220)	1	UR
46	239-14116-21	•NEEDLE	1	
47	239-14141-48	•NOZZLE, main	1	
48	3R6-14112-20	•VALVE, throttle 1	1	
49	193-14142-60	•JET, Pilot (#60.0)	1	
50	152-14123-00	•SCREW, air adjusting	1	
51	239-14190-33	•NEEDLE VALVE ASSY	1	
52	3R6-14181-16	•BODY, float chamber 1	1	
53	256-14944-67	•JET, main (#082.5)	1	

B7

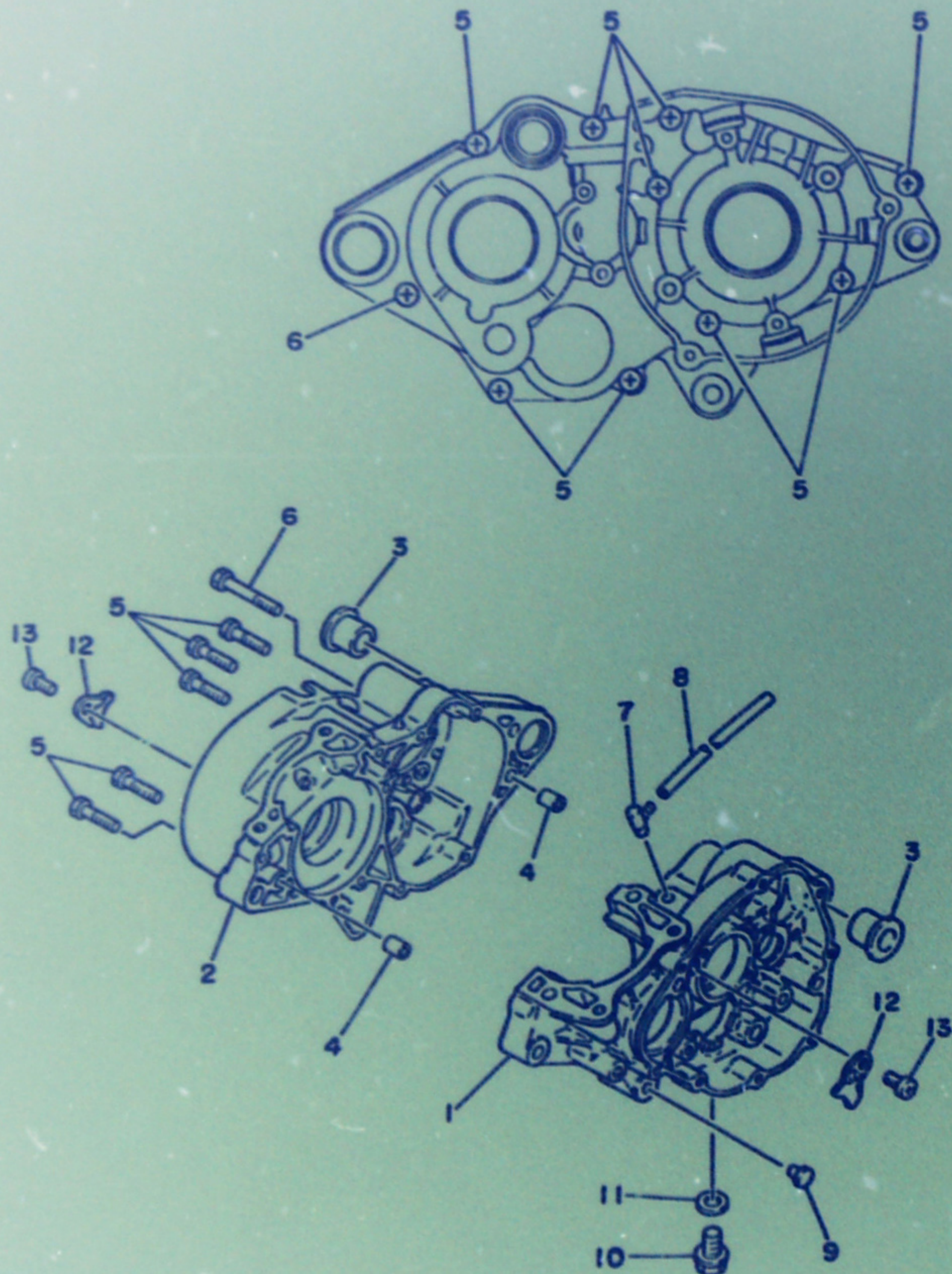
FIG. 6 EXHAUST



REF. NO.	PART NO.	DESCRIPTION	Q'TY	REMARKS
1	3R6-14610-00	EXHAUST PIPE ASSY 1	1	
2	3R6-14613-01	GASKET, exhaust Pipe	1	
3	90507-20030	SPRING, tension	2	
4	565-14771-00	STAY, muffler 1	1	
5	97301-06012	BOLT	2	
6	92901-06100	WASHER, sPrinG	2	
7	3R6-14753-00	SILENCER, exhaust	1	
8	1W2-14787-00	CAP, silencer	1	
9	97301-06012	BOLT	1	
10	92901-06100	WASHER, sPrinG	1	
11	92901-06600	WASHER, Plate	1	
12	1W2-14714-00	GASKET, muffler	1	
13	90460-37026	CLAMP, hose	2	
14	90480-22269	GROMMET	2	
15	90387-081A3	COLLAR	2	
16	156-24186-00	WASHER, sPecial	2	
17	97301-08030	BOLT	2	
18	92901-08100	WASHER, sPrinG	2	
19	3R6-14781-00	STAY, muffler 2	1	
20	90109-08573	BOLT	1	
21	92901-08200	WASHER, Plain	1	
22	97301-06045	BOLT	1	
23	90201-06067	WASHER, Plate	1	
24	95601-06100	NUT, u	1	

B8

FIG. 7 CRANKCASE

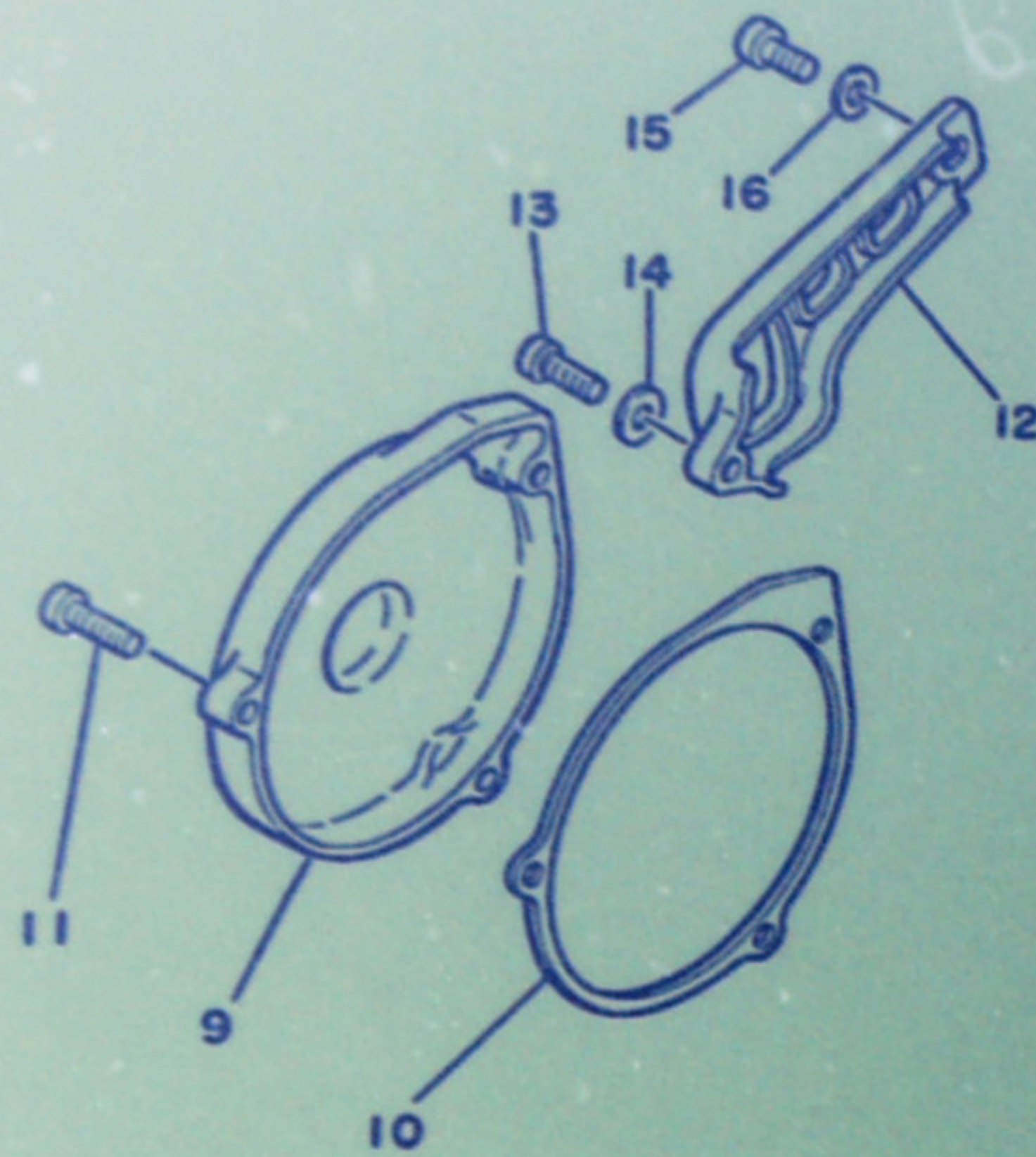


REF. NO.	PART NO.	DESCRIPTION	Q'TY	REMARKS
1	3R3-15111-02	CRANKCASE 1	1	
2	3R3-15121-02	CRANKCASE 2	1	
3	90387-16781	COLLAR	2	
4	91830-21014	PIN, dowel	2	
5	91316-06035	BOLT	9	
6	91316-06050	BOLT	1	
7	2N4-15371-00	BREATHER	1	
8	90445-07340	HOSE	1	
9	90338-07011	PLUG	1	
10	90340-12059	PLUG, straight screw	1	
11	90430-12038	GASKET	1	
12	3R3-15128-01	HOLDER	2	
13	92501-08010	SCREW, Pan head	2	

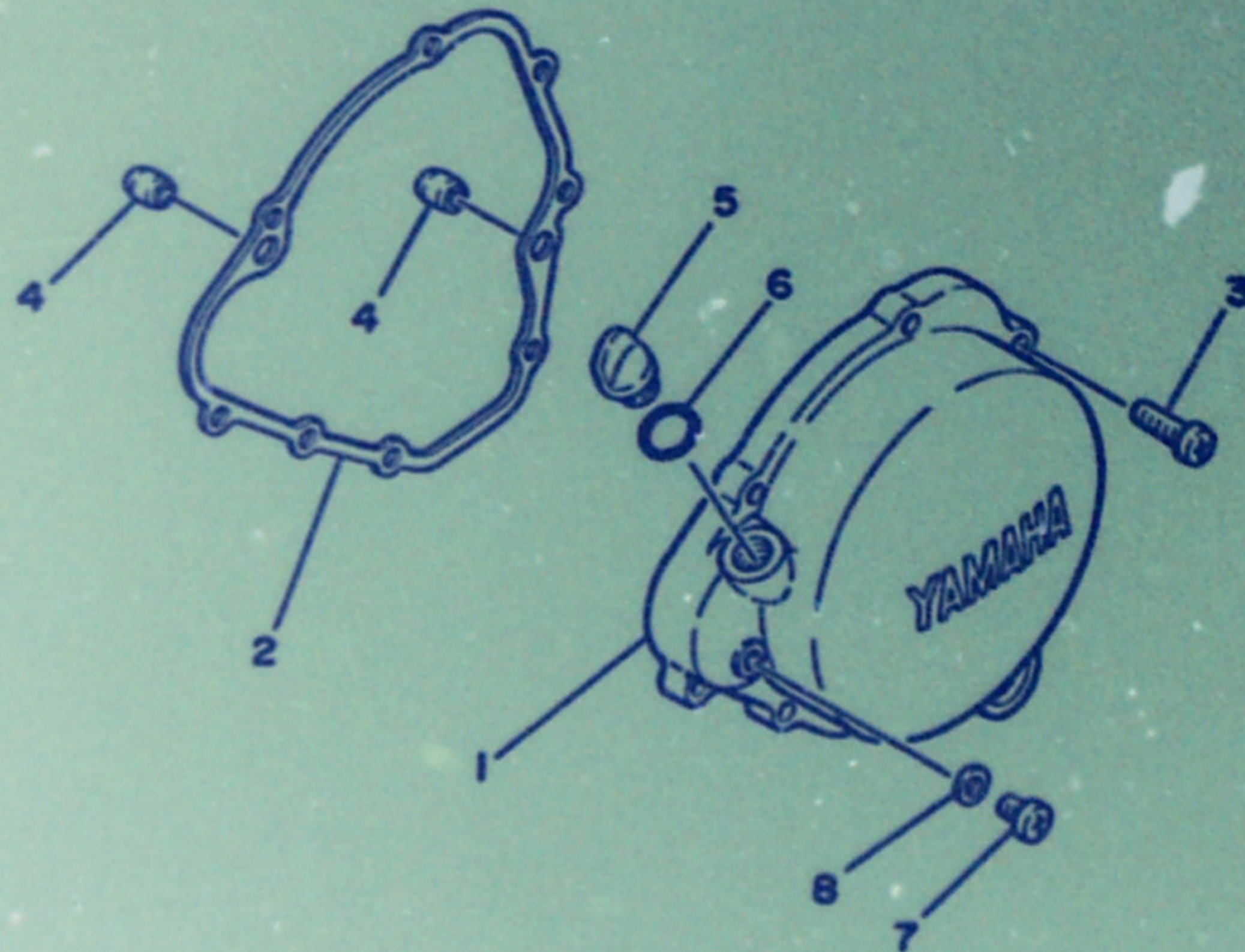
FWD

B9

FIG. 8 CRANKCASE COVER



REF. NO.	PART NO.	DESCRIPTION	Q'TY	REMARKS
1	3R3-15411-00	COVER, crankcase 1	1	
2	3R3-15451-01	GASKET, crankcase cover	1	
3	92506-06025	SCREW, Pan head	8	
4	91830-21014	PIN, dowel	2	
5	1G8-15362-00	PLUG, oil level	1	
6	93210-14104	O-RING	1	
7	92506-06008	SCREW, Pan head	1	
8	90430-06016	GASKET	1	
9	3R6-15421-00	COVER, crankcase 2	1	
10	3R6-15455-00	GASKET 1	1	
11	92506-06025	SCREW, Pan head	3	
12	3R3-15431-00	COVER, crankcase 3	1	
13	92501-06015	SCREW, Pan head	1	
14	90201-06067	WASHER, Plate	1	
15	92501-06020	SCREW, Pan head	1	
16	92901-06200	WASHER, Plain	1	

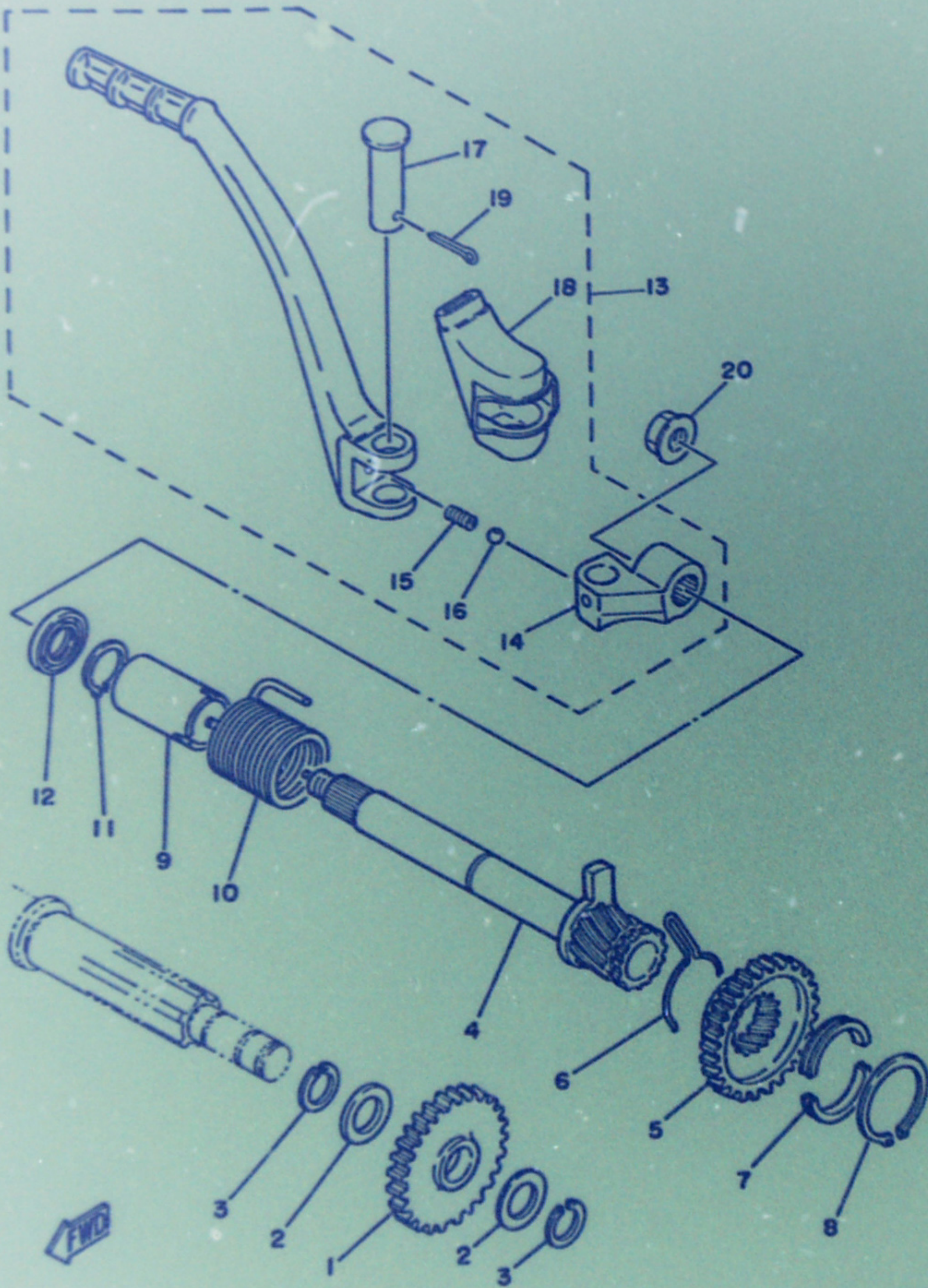


FWD

B10

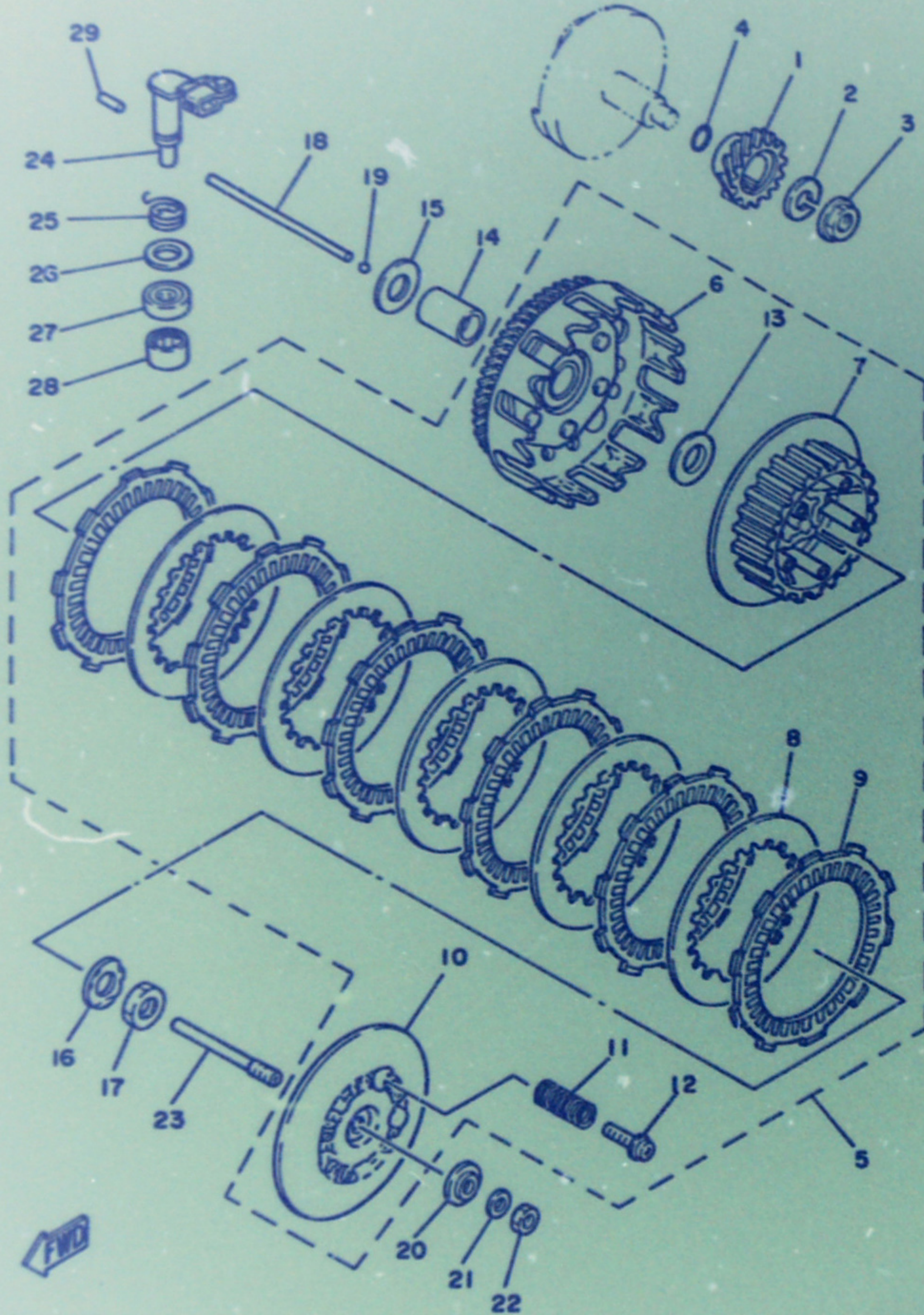
FIG. 9 KICK STARTER

REF. NO.	PART NO.	DESCRIPTION	Q'TY	REMARKS
1	3R3-15651-01	GEAR, sProcket idle (25T)	1	
2	137-17417-00-05	SHIM (0.5T)	2	
3	93440-15012	CIRCLIP	2	
4	3R3-15660-00	KICK AXLE ASSY	1	
5	3R3-15641-00	GEAR, kick (25T)	1	
6	90468-26048	CLIP	1	
7	248-15654-00	HOLDER, kick gear	2	
8	93410-30012	CIRCLIP	1	
9	3R3-15666-00	SPACER	1	
10	90508-26427	SPRING, torsion	1	
11	93410-17037	CIRCLIP	1	
12	93101-17062	OIL SEAL	1	
13	3R3-15620-00	KICK CRANK ASSY	1	
14	3R3-15621-00	•BOSS, kick crank	1	
15	90501-12081	•SPRING, compression	1	
16	93507-32009	•BALL	1	
17	91702-12040	•PIN, clevis	1	
18	3R3-15618-01	•COVER, kick lever	1	
19	91401-40020	•PIN, cotter	1	
20	90179-10272	NUT	1	



B11

FIG. 10 CLUTCH

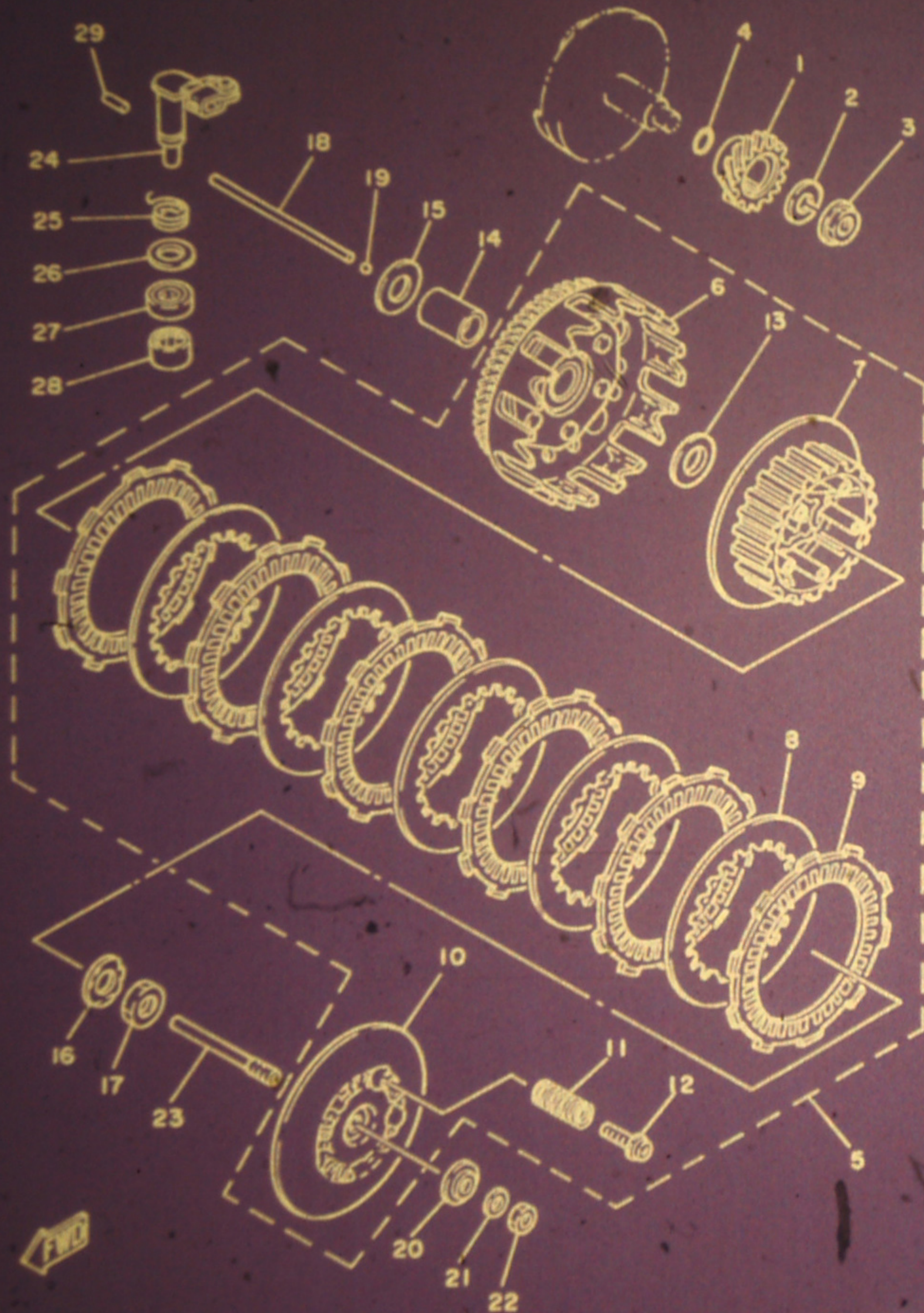


REF. NO.	PART NO.	DESCRIPTION	Q'TY	REMARKS
1	3R6-16111-00	GEAR, Primary drive (17T)	1	
2	90204-12007	WASHER, sPrinG	1	
3	90179-12302	NUT	1	
4	93210-20027	O-RING	1	
5	3R6-16300-00	CLUTCH ASSY	1	
6	3R6-16150-00	•PRIMARY DRIVEN GEAR COMP.(152T)	1	
7	1G8-16371-00	•BOSS, clutch	1	
8	137-16325-70	•PLATE, clutch 2	5	
9	537-16321-00	•PLATE, friction	6	
10	1W1-16351-00	•PLATE, Pressure 1	1	
11	90501-20361	•SPRING, comPression	5	
12	90159-05011	•SCREW, with washer	5	
13	90201-17550	•WASHER, Plate	1	
14	90560-17190	SPACER	1	
15	90201-17550	WASHER, Plate	1	
16	90215-14144	WASHER, lock	1	
17	90170-14171	NUT	1	
18	2X3-16357-00	RDD, Push 2	1	
19	93503-16010	BALL	1	
20	1W1-16358-00	PLATE, Push	1	
21	92901-06200	WASHER, Plain	1	
22	95301-06600	NUT	1	
23	1W1-16356-00	RDD, Push 1	1	
24	3R3-16380-01	PUSH LEVER ASSY	1	
25	90508-14426	SPRING, torsion	1	
26	90201-14217	WASHER, Plate	1	
27	93104-14004	OIL SEAL	1	
28	93315-21429	BEARING, cylindrical	1	

B12

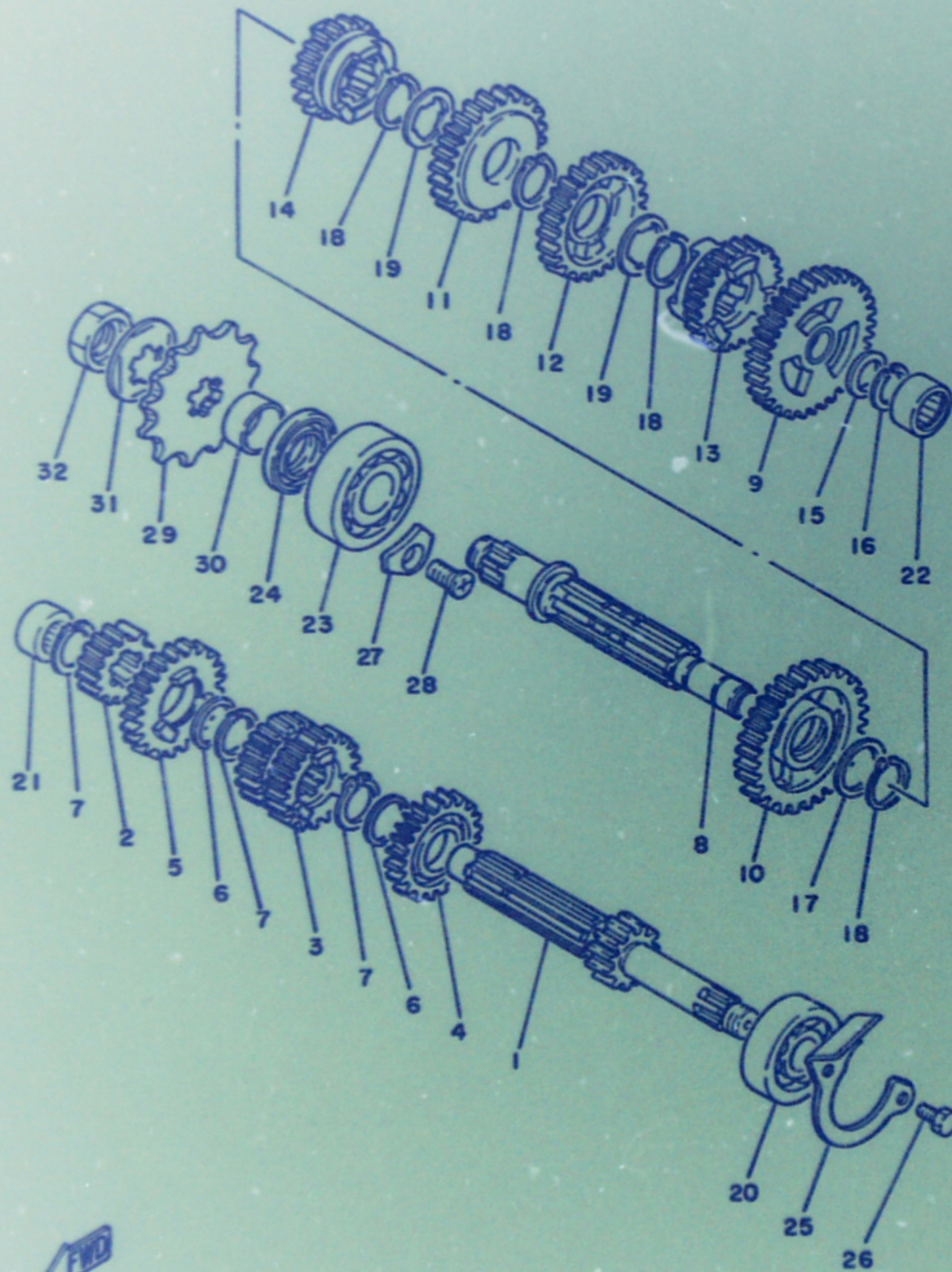
FIG. 10 CLUTCH

REF. NO.	PART NO.	DESCRIPTION	Q'TY	REMARKS
29	93604-16092	PIN, dowel	1	



B13

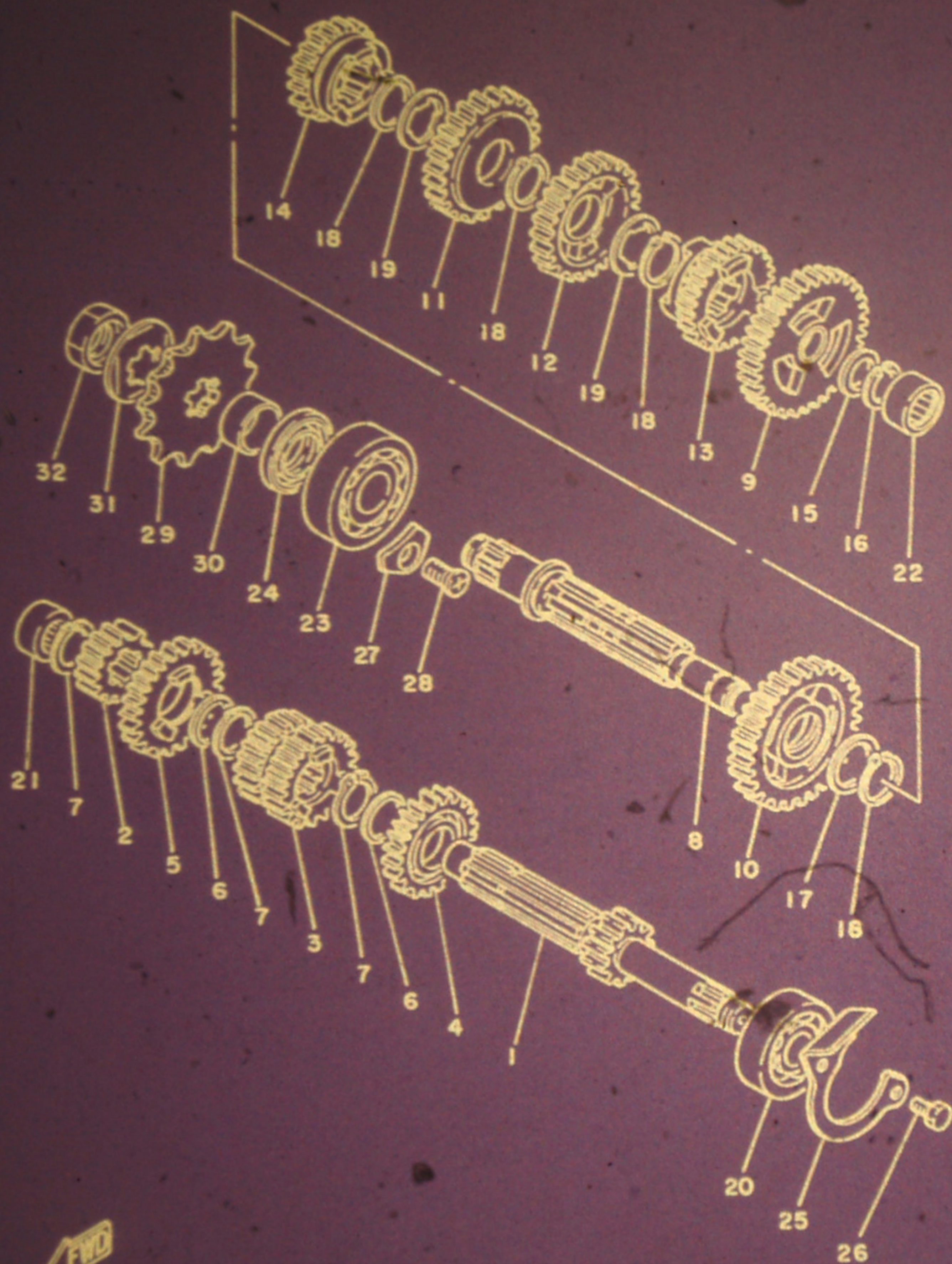
FIG. 11 TRANSMISSION



REF. NO.	PART NO.	DESCRIPTION	Q'TY	REMARKS
1	3R6-17411-00	AXLE, main (11T)	1	
2	3R6-17121-00	GEAR, 2nd Pinion (13T)	1	
3	3R6-17131-00	GEAR, 3rd/4th Pinion (16T,21T)	1	
4	3R6-17151-00	GEAR, 5th Pinion (20T)	1	
5	3R6-17161-00	GEAR, 6th Pinion (22T)	1	
6	90201-20266	WASHER, Plate	2	
7	93410-20038	CIRCLIP	3	
8	3R3-17421-00	AXLE, drive	1	
9	3R6-17211-00	GEAR, 1st wheel (34T)	1	
10	3R6-17221-00	GEAR, 2nd wheel (27T)	1	
11	3R3-17231-00	GEAR, 3rd wheel (24T)	1	
12	3R6-17241-00	GEAR, 4th wheel (25T)	1	
13	3R6-17251-00	GEAR, 5th wheel (20T)	1	
14	3R6-17261-00	GEAR, 6th wheel (18T)	1	
15	90201-15701	WASHER, Plate (1.0T)	1	
16	93440-15012	CIRCLIP	1	
17	90201-22555	WASHER, Plate	1	
18	93410-22039	CIRCLIP	4	
19	90209-18135	WASHER	2	
20	93306-30303	BEARING (B6303Z)	1	
21	93311-41530	BEARING, cylindrical	1	
22	93311-31515	BEARING, cylindrical	1	
23	93306-30411	BEARING (B6304)	1	
24	93102-26042	OIL SEAL	1	
25	3R3-17471-00	PLATE, cover	1	
26	97321-06012	BOLT	2	
27	2K7-15383-00	PLATE, bearing cover	1	
28	92701-06012	SCREW, flat head	1	

FIG. 11 TRANSMISSION

REF. NO.	PART NO.	DESCRIPTION	Q'TY	REMARKS
29	1W1-17461-20	SPROCKET, drive (12T)	1	UR STD
	1G8-17461-10	SPROCKET, drive (11T)	1	UR
	1G8-17461-30	SPROCKET, drive (13T)	1	UR
30	90387-202A0	COLLAR	1	
31	90215-16127	WASHER, lock	1	
32	90179-16226	NUT	1	

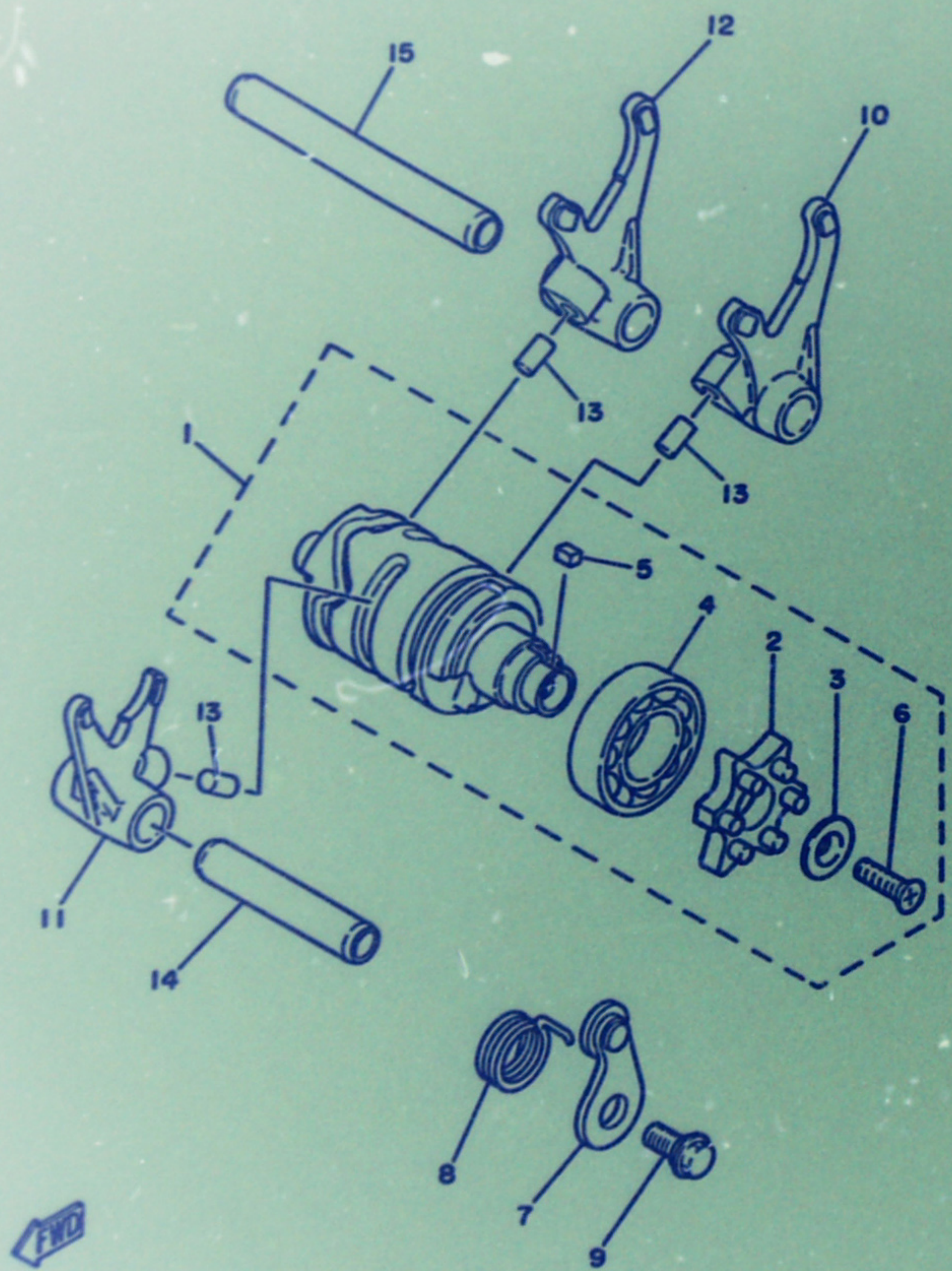


B15

FIG. 12 SHIFT CAM-FORK

Lee Waldie Craig Scott Chris Koira

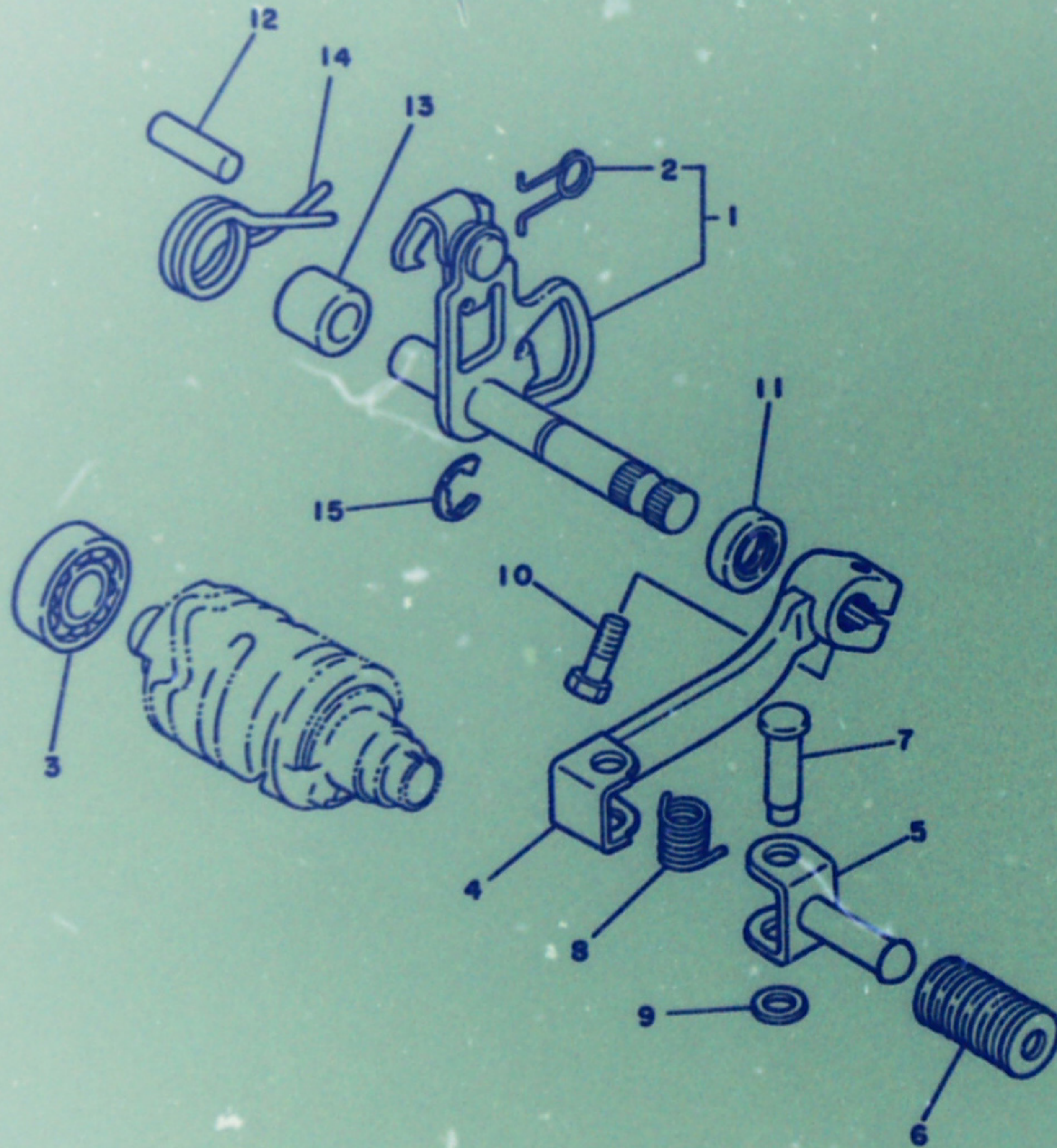
REF. NO.	PART NO.	DESCRIPTION	Q'TY	REMARKS
1	3R3-18540-01	SHIFT CAM ASSY	1	
2	3R4-18185-00	•SEGMENT	1	
3	3R4-18561-00	•PLATE, side 1	1	
4	93306-00421	•BEARING	1	
5	90282-04036	•KEY, straight	1	
6	98701-05016	•SCREW, flat head	1	
7	3R3-18140-00	STOPPER LEVER ASSY	1	
8	90508-26435	SPRING, torsion	1	
9	1W1-18177-00	BOLT, stopper	1	
10	3R3-18511-00	FORK, shift 1	1	
11	3R3-18512-00	FORK, shift 2	1	
12	3R3-18513-00	FORK, shift 3	1	
13	90250-06013	PIN, straight	3	
14	3R4-18531-00	BAR, shift fork Guide 1	1	
15	3R4-18535-00	BAR, shift fork Guide 2	1	



C2

FIG. 13 SHIFT SHAFT PEDAL

REF. NO.	PART NO.	DESCRIPTION	Q'TY	REMARKS
1	3R3-18101-01	SHIFT SHAFT ASSY	1	
2	90508-09420	•SPRING, torsion	1	
3	93306-20107	BEARING (B6201)	1	
4	3R6-18111-00	PEDAL, shift	1	
5	3R8-18162-00	PEDAL, shift	1	
6	1W6-18113-00	COVER, shift Pedal	1	
7	90243-08017	PIN	1	
8	90508-20415	SPRING, torsion	1	
9	90201-06042	WASHER, Plate	1	
10	97321-06025	BOLT	1	
11	93101-12060	OIL SEAL	1	
12	93608-25150	PIN, dowel	1	
13	90560-11189	SPACER	1	
14	90508-32374	SPRING, torsion	1	
15	93430-1001E	CIRCLIP	1	



FWD

C3

FIG. 14 FRAME

Australian IT Forum

REF. NO.	PART NO.	DESCRIPTION	Q'TY	REMARKS
1	3R6-21110-02-33	FRAME COMP	1	yamaha black
2	90339-13005	PLUG	2	
3	2K6-22178-00	TENSIONER	1	
4	3R3-2148A-00	SHAFT	1	
5	90201-13202	WASHER, Plate	2	
6	97302-08050	BOLT	1	
7	95702-08300	NUT, nylon	1	
8	92902-08200	WASHER	2	
9	3R3-21415-00	BRACKET, front upper 1	2	
10	95812-08075	BOLT, flange	3	
11	95812-08160	BOLT, flange	1	
12	90214-09019	WASHER, claw	1	
13	92902-08200	WASHER	4	
14	90185-08054	NUT, self-locking	4	
15	3R6-21471-00	PROTECTOR, engine	1	
16	2J5-21732-00	SEAL 1	2	
17	97301-08014	BOLT	3	
18	92901-08100	WASHER, spring	3	
19	92901-08600	WASHER, Plate	3	
20	3R4-2139W-00	COVER	1	

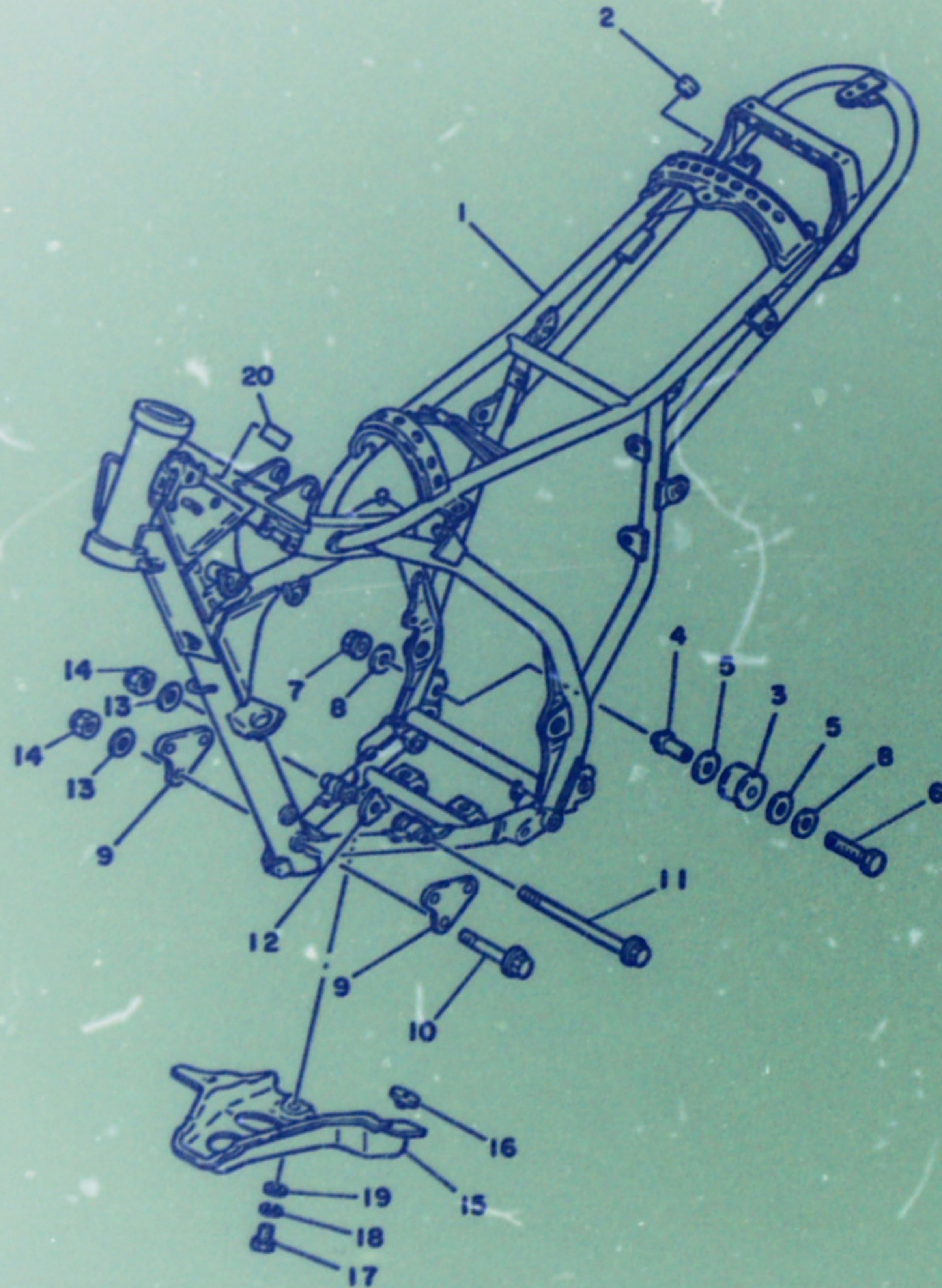
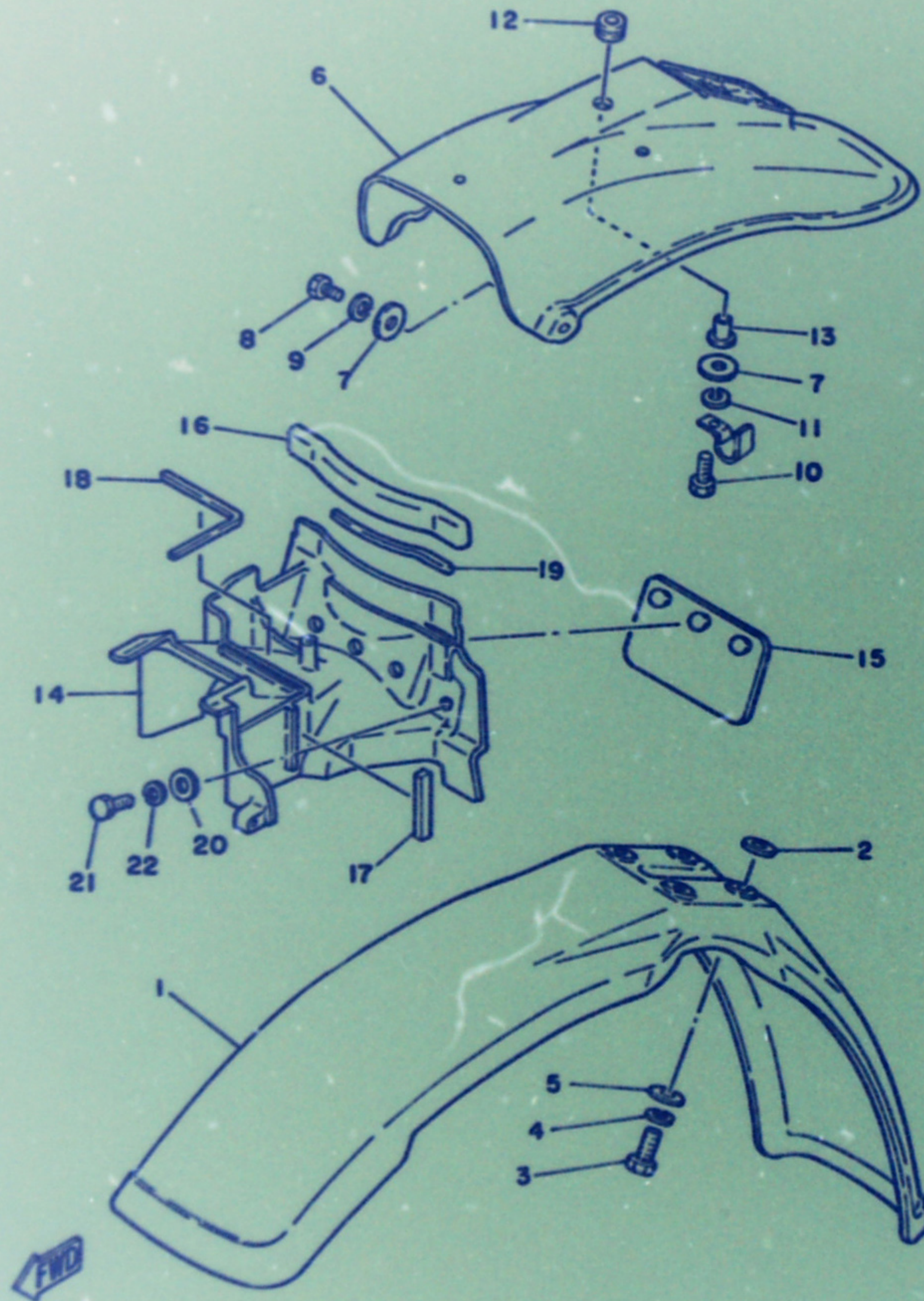


FIG. 15 FRONT FENDER-REAR FENDER

UK IT OWNERS FACEBOOK GROUP



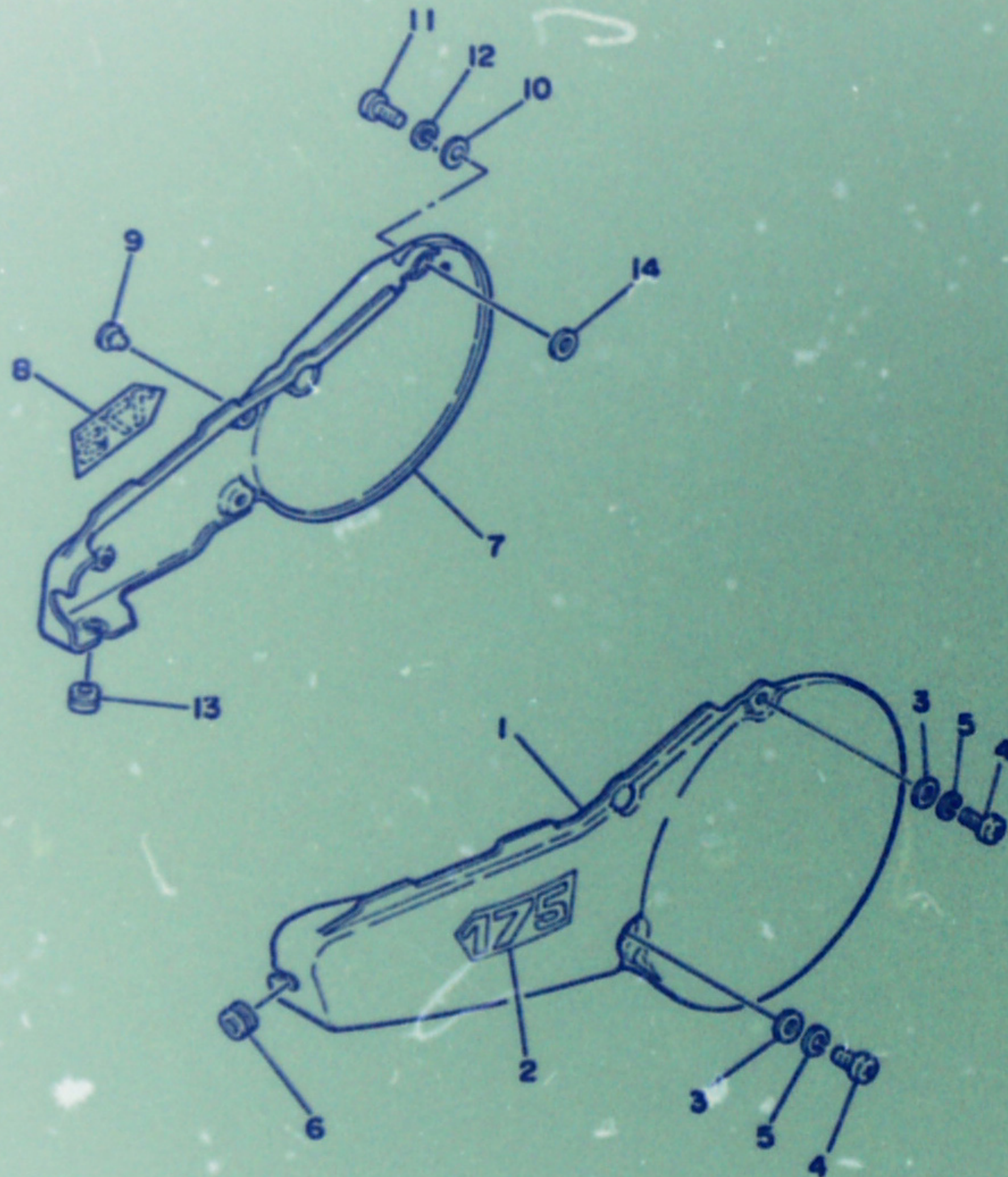
REF. NO.	PART NO.	DESCRIPTION	Q'TY	REMARKS
1	3R8-21511-11	FENDER, front	1	sky blue
2	90201-06067	WASHER, Plate	4	
3	97302-06020	BOLT	4	
4	92902-06100	WASHER, sPrinE	4	
5	90209-06187	WASHER	4	
6	3R6-21610-10	REAR FENDER COMP.	1	sky blue
7	90201-06067	WASHER, Plate	4	
8	97301-06014	BOLT	2	
9	92901-06100	WASHER, sPrinE	2	
10	97301-06025	BOLT	1	
11	92901-06100	WASHER, sPrinE	1	
12	90480-14198	GROMMET	1	
13	90387-06388	COLLAR	1	
14	3R6-21629-00	GUARD, mud	1	
15	1M1-21621-00	FLAP	1	
16	565-21746-00	SEAL, mud Guard	1	
17	3R6-21638-00	DAMPER 1	1	
18	3R6-21639-00	DAMPER 2	1	
19	3R6-21669-00	SEAL	1	
20	90201-06067	WASHER, Plate	2	
21	97301-06014	BOLT	2	
22	92901-06100	WASHER, sPrinE	2	

C5

FIG. 16 SIDE COVER

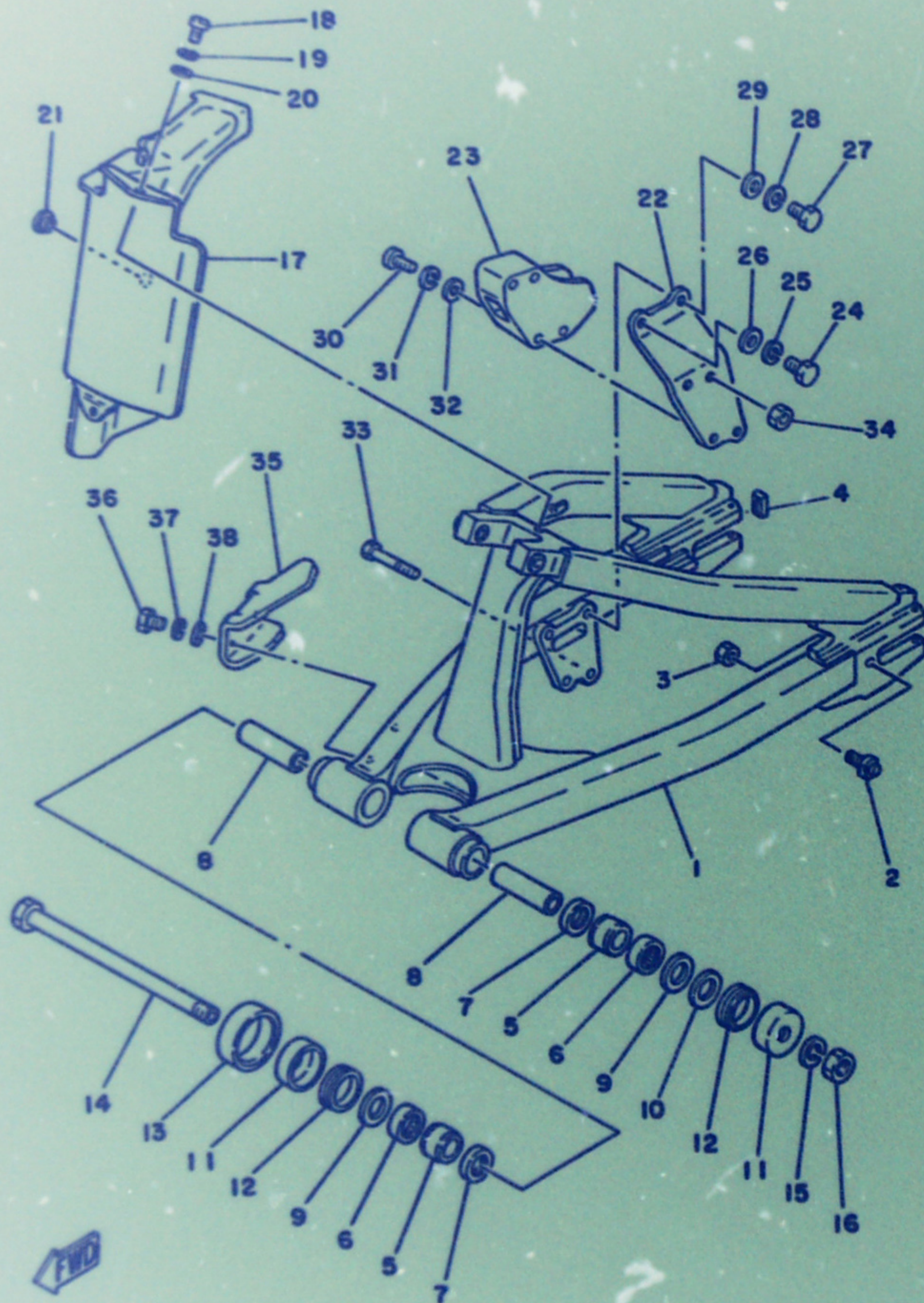
UK IT OWNERS FACEBOOK GROUP

REF. NO.	PART NO.	DESCRIPTION	Q'TY	REMARKS
1	3R6-21711-00-26	COVER, side (L.H)	1	competition yellow /sky blue
2	3R6-21737-10	EMBLEM	1	
3	90201-06067	WASHER, Plate	2	
4	92501-06014	SCREW, Pan head	2	
5	92901-06100	WASHER, sPrinG	2	
6	90480-12053	GROMMET	1	
7	3R6-21721-00-26	COVER, side (R.H)	1	competition yellow /sky blue
8	3R6-21737-10	EMBLEM	1	
9	431-24181-00	DAMPER, locating 1	3	
10	90201-06067	WASHER, Plate	2	
11	92501-06015	SCREW, Pan head	2	
12	92901-06100	WASHER, sPrinG	2	
13	90480-12053	GROMMET	1	
14	92901-08200	WASHER, Plain	1	



C6

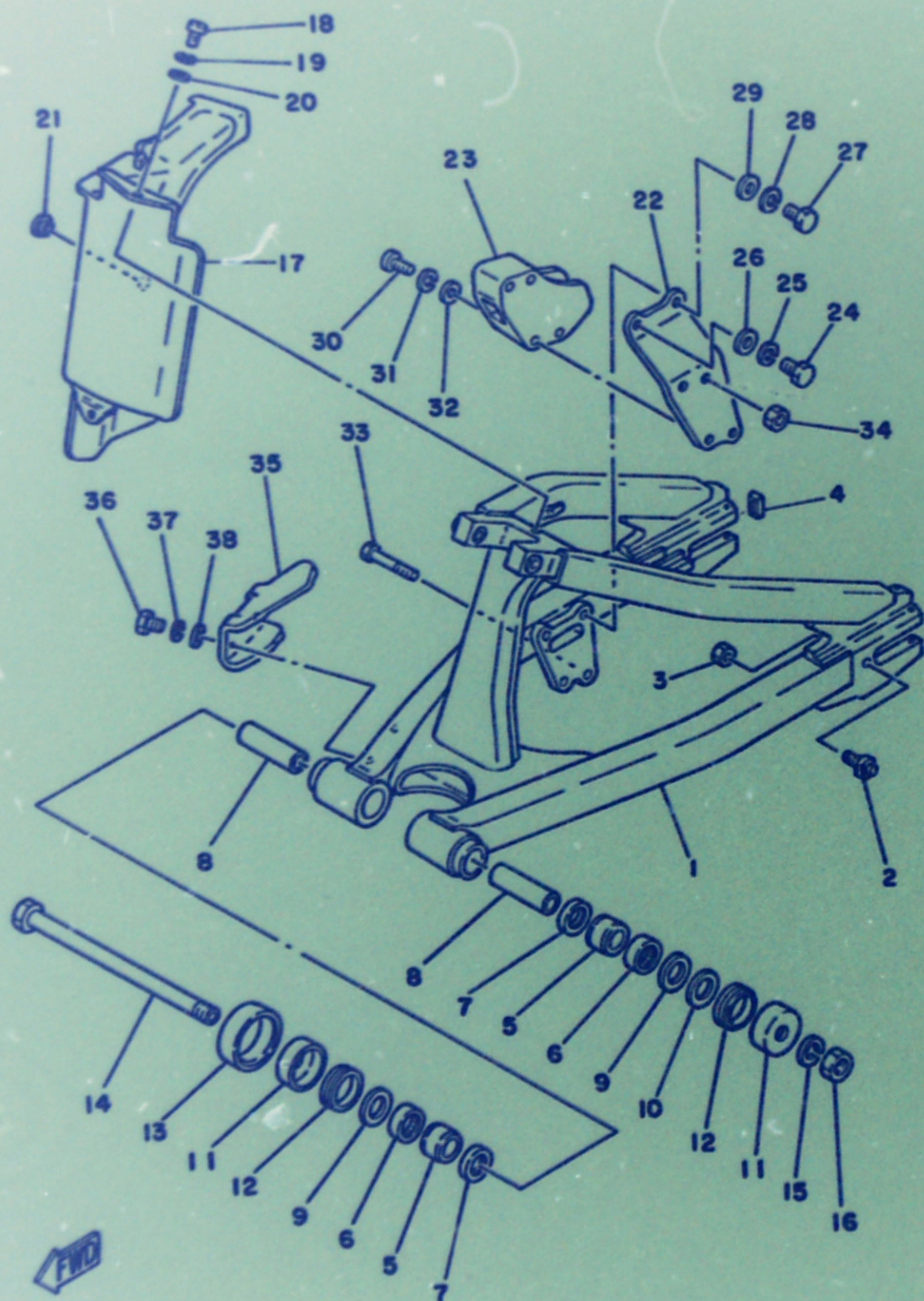
FIG. 17 REAR ARM



REF. NO.	PART NO.	DESCRIPTION	Q'TY	REMARKS
1	3R6-22110-00-35	REAR ARM COMP.	1	silver
2	90109-08569	BOLT	2	
3	90179-08278	NUT	2	
4	90338-22103	PLUG	2	
5	90386-22097	BUSH	2	
6	93317-22214	BEARING, cylindrical	2	
7	93109-22018	OIL SEAL	2	
8	90380-16077	BUSH, solid	2	
9	90201-22680	WASHER, Plate	2	
10	156-22127-00	SHIM (0.3T)	1	UN
11	2K6-22128-01	COVER, thrust 1	2	
12	93108-35004	OIL SEAL	2	
13	431-22151-03	SEAL, Guard	1	
14	1W4-22141-00	SHAFT, Pivot	1	
15	92901-16100	WASHER, sPrinE	1	
16	90170-16111	NUT	1	
17	3R6-22311-00	CASE, chain	1	black
18	92501-06012	SCREW, Pan head	2	
19	92901-06100	WASHER, sPrinE	2	
20	92901-06200	WASHER, Plain	2	
21	90560-08066	SPACER	1	
22	3R3-22179-00	ARM, tensioner	1	
23	3R3-22199-00	SUPPORT, chain	1	
24	97301-08020	BOLT	1	
25	92901-08100	WASHER, sPrinE	1	
26	92901-08200	WASHER, Plain	1	
27	97301-08016	BOLT	1	
28	92901-08100	WASHER, sPrinE	1	

C7

FIG. 17 REAR ARM

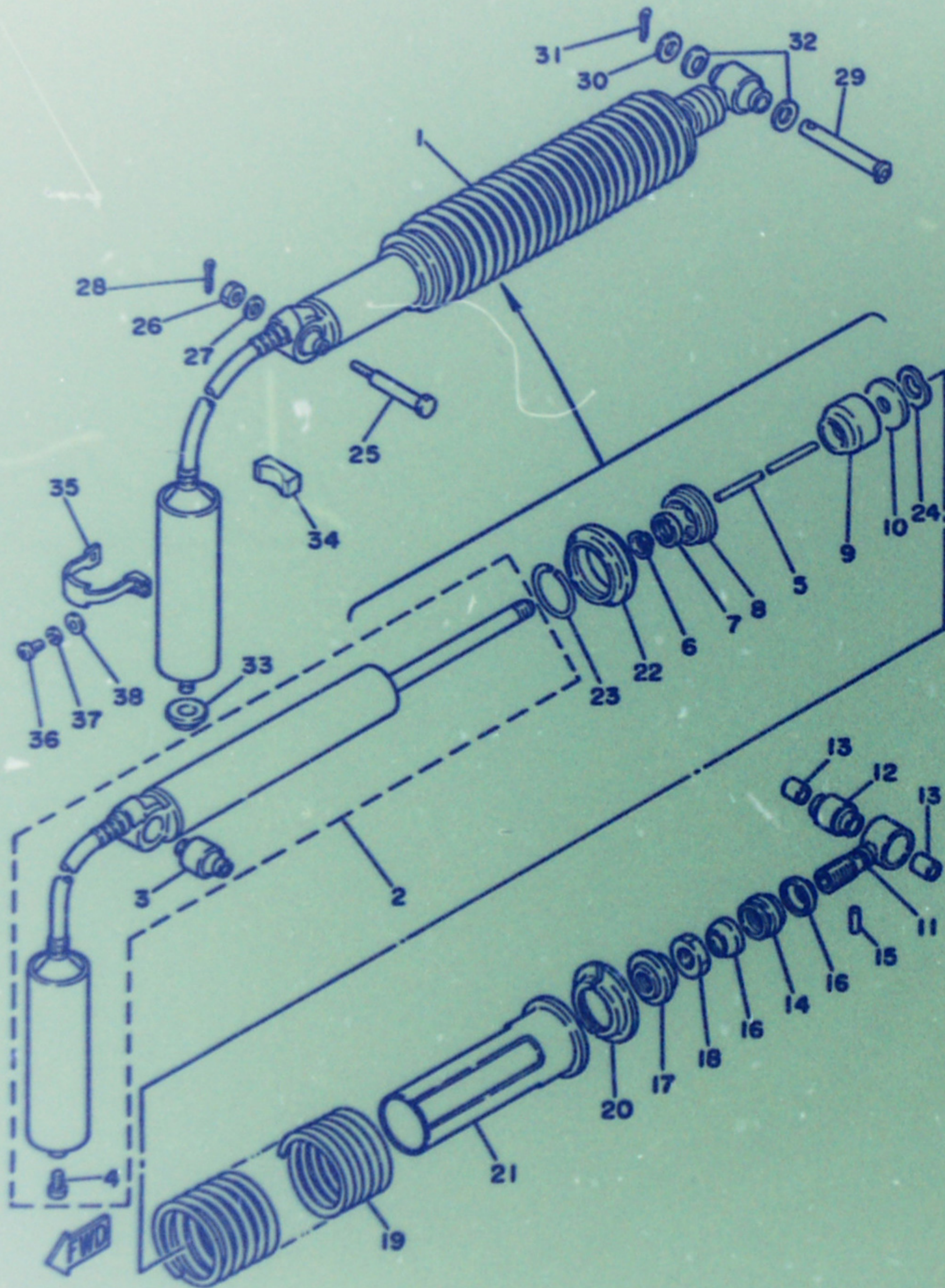


REF. NO.	PART NO.	DESCRIPTION	Q'TY	REMARKS
29	92901-08600	WASHER, Plate	1	
30	92501-06020	SCREW, Pan head	2	
31	92901-06100	WASHER, sPrinG	2	
32	92901-06600	WASHER, Plate	2	
33	97301-06055	BOLT	2	
34	95601-06100	NUT, u	2	
35	3R3-22147-00	PROTECTOR, chain	1	
36	97301-05012	BOLT	2	
37	92901-05100	WASHER, sPrinG	2	
38	92901-05200	WASHER, Plain	2	

C8

FIG. 18 REAR SUSPENSION

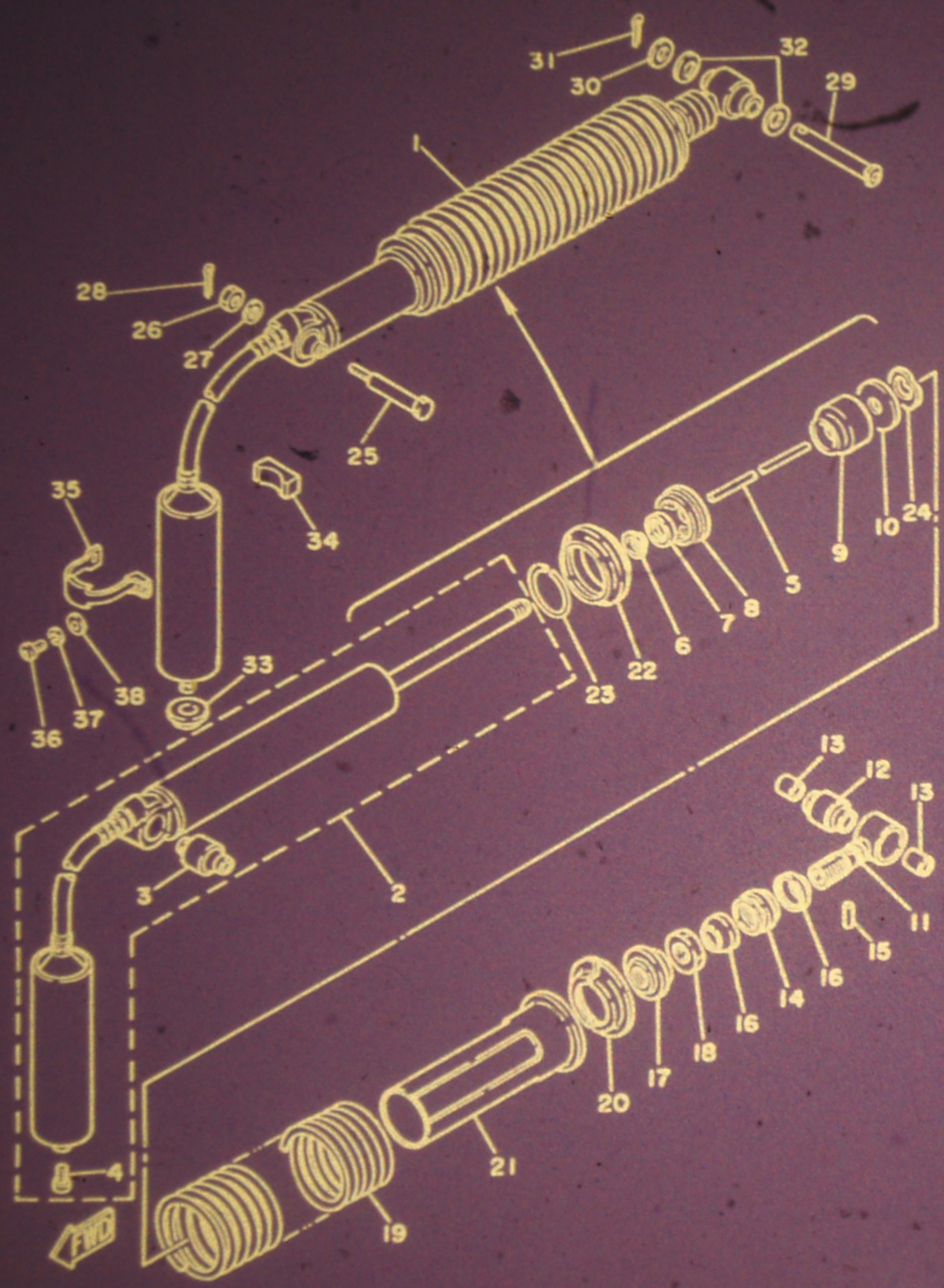
REF. NO.	PART NO.	DESCRIPTION	Q'TY	REMARKS
1	3R6-22210-10	SHOCK ABSORBER ASSY, rear	1	
2	3R6-22401-10	•DUMPER SUB ASSY	1	
3	1W1-22216-00	••BUSH, rear shock absorber	1	
4	98501-04005	••SCREW, Pan head	1	
5	4V4-22489-00	•ROD, Push	1	
6	3R4-22475-00	•SEAL, dust	1	
7	3R4-22473-00	•HOUSING, seal ring	1	
8	3R4-22472-00	•CAP, case	1	
9	1W1-22493-00	•STOPPER, bump	1	
10	3R4-22228-00	•SUPPORT, bump stop	1	
11	3R4-22409-00	•UPPER BRACKET SUB ASSY	1	
12	3R4-22226-00	•BUSH, shock absorber lower	1	
13	90380-12051	•BUSH, solid	2	
14	3R4-22497-00	•NUT, adjusting	1	
15	93604-26132	•PIN, dowel	1	
16	3R4-22221-01	•COVER	2	
17	3R4-22213-00	•SEAT, sPrinG uPPer	1	
18	90170-20213	•NUT	1	
19	3R6-22212-00	•SPRING	1	
20	3R4-22214-00	•GUIDE, sPrinG 1	2	
21	3R4-22224-00	•GUIDE, sPrinG 2	1	
22	3R4-22223-00	•SEAT, sPrinG lower	1	
23	93440-50078	•CIRCLIP	1	
24	90206-14067	•WASHER, wave	1	
25	90109-10550	BOLT	1	
26	95302-10700	NUT	1	
27	92902-10600	WASHER, Plate	1	
28	91401-20025	PIN, cotter	1	



C9

FIG. 18 REAR SUSPENSION

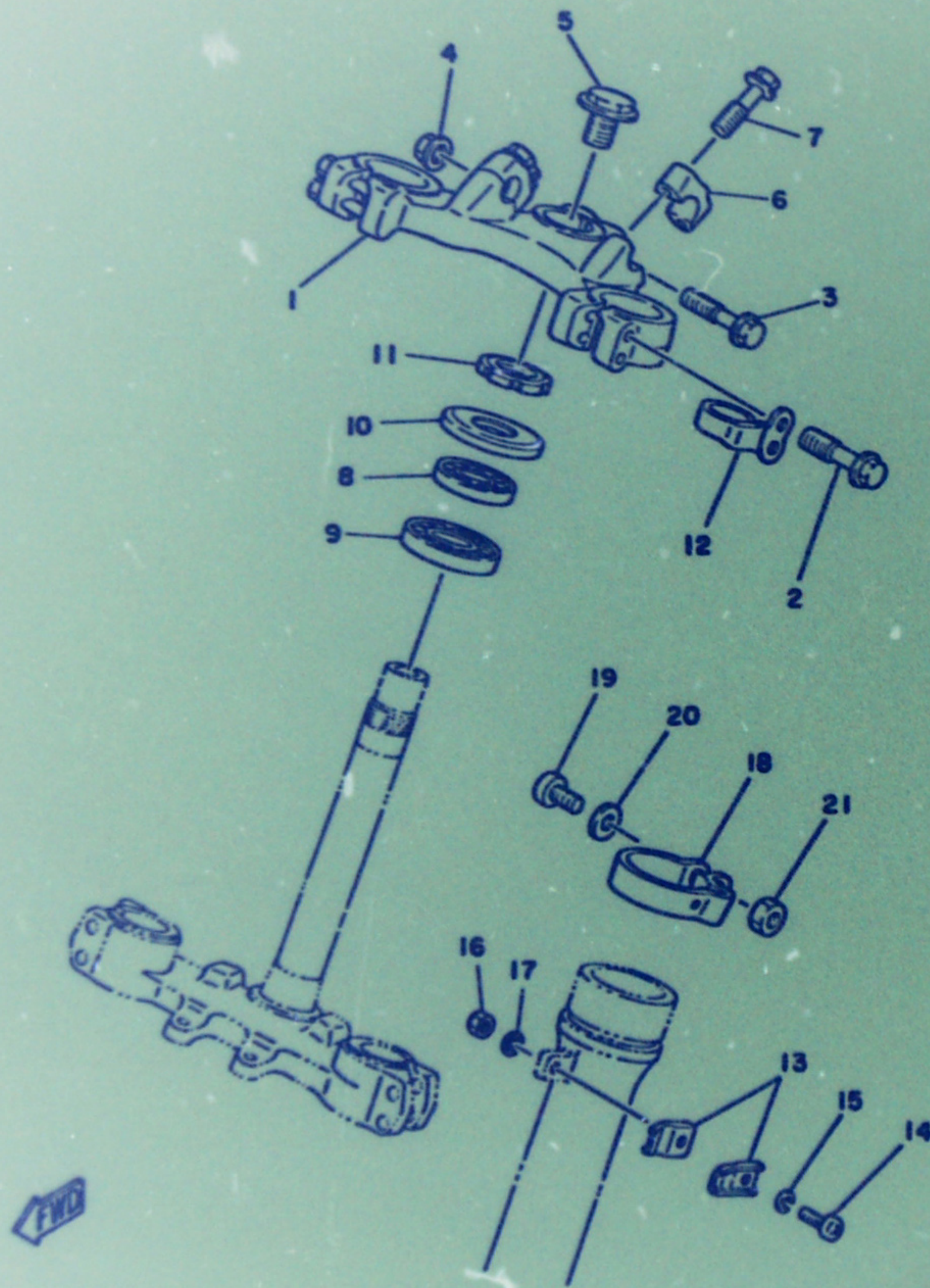
REF. NO.	PART NO.	DESCRIPTION	Q'TY	REMARKS
29	90240-12074	PIN, clevis	1	
30	92901-12600	WASHER, Plate	1	
31	91401-30022	PIN, cottar	1	
32	1W1-22128-00	COVER, thrust 1	2	
33	90480-22263	GROMMET	1	
34	3R4-22261-00	DAMPER, sub tank	1	
35	3R3-22262-00	HOLDER, sub tank	1	
36	92502-06016	SCREW, Pan head	1	
37	92902-06100	WASHER, sPrinE	1	
38	92902-06600	WASHER	1	



C10

FIG. 19 STEERING

REF. NO.	PART NO.	DESCRIPTION	Q'TY	REMARKS
1	1W1-23435-01-98	CROWN, handle	1	low gloss black
2	95821-08040	BOLT, flange	4	
3	95821-08055	BOLT, flange	1	
4	95701-08100	NUT, flange	1	
5	90105-14136	BOLT, washer based	1	
6	1E6-23441-00-98	HOLDER, handle upper	2	low gloss black
7	95821-08035	BOLT, flange	4	
8	93332-00001	BEARING	1	
9	93332-00008	BEARING	1	
10	1W1-23416-00	COVER, ball race 2	1	
11	90179-25033	NUT	1	
12	3R4-23317-00	HOLDER, cable	1	
13	90J62-14055	CLAMP	2	
14	92501-06025	SCREW, Pan head	1	
15	92901-06100	WASHER, spring	1	
16	95301-06600	NUT	1	
17	92901-06600	WASHER, plate	1	
18	1W2-23318-00	HOLDER, cable 1	1	
19	98501-05018	SCREW, Pan head	1	
20	92901-05600	WASHER, plate	1	
21	95301-05600	NUT	1	

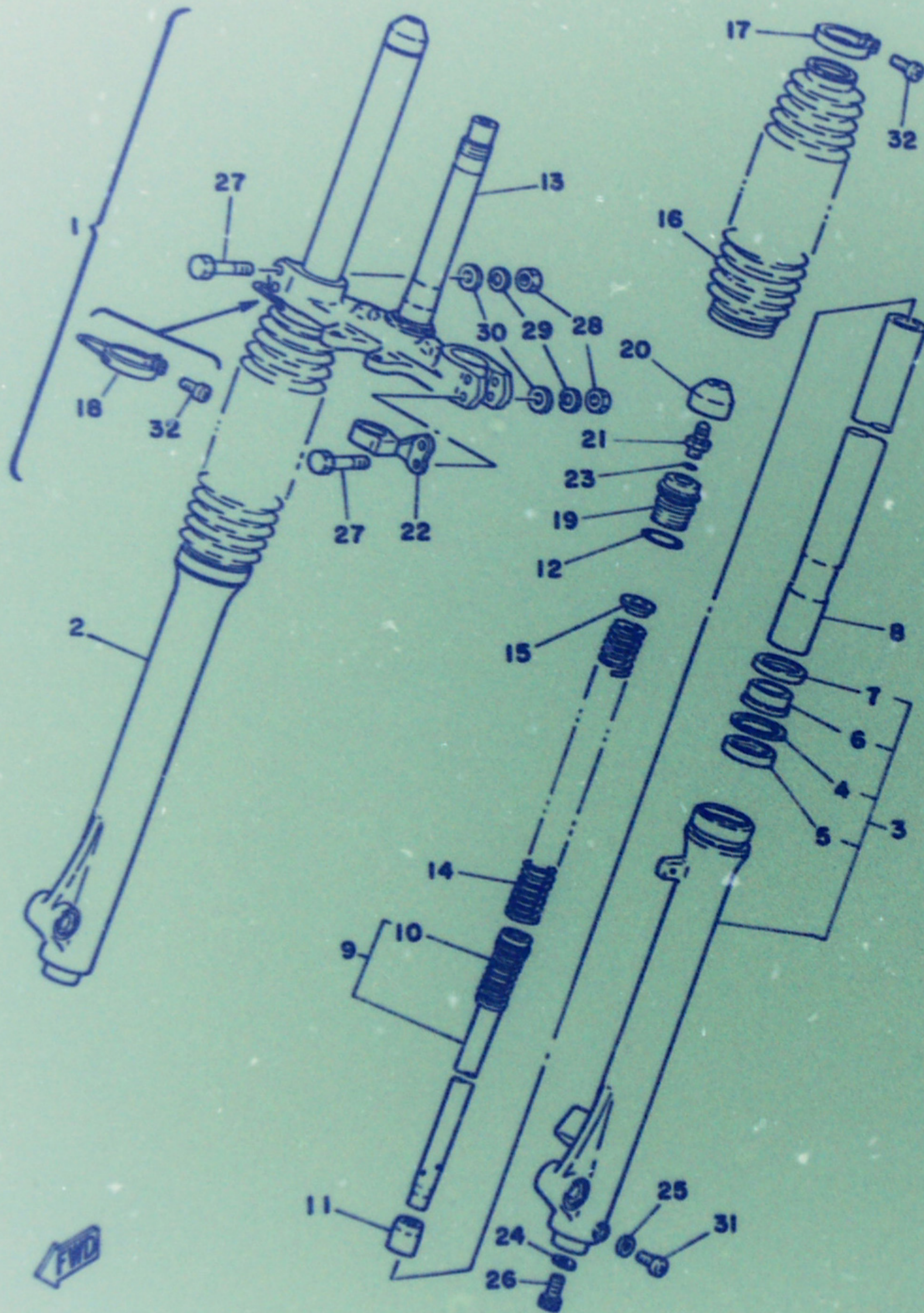


FWD

C11

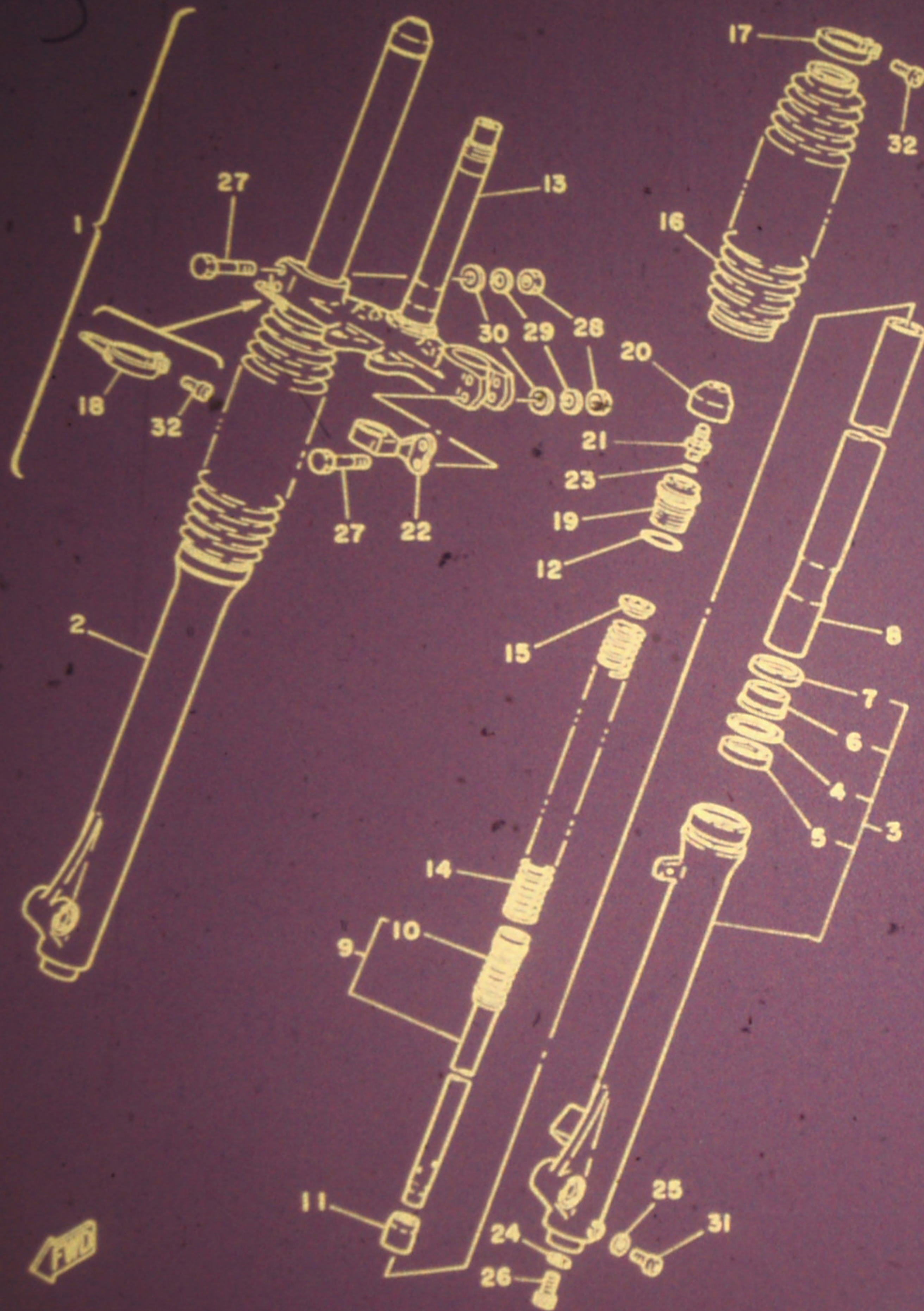
FIG. 20 FRONT FORK

REF. NO.	PART NO.	DESCRIPTION	Q'TY	REMARKS
1	3R6-23101-LO	FRONT FORK ASSY	1	
2	3R6-23136-LO	•TUBE, outer 2	1	
3	3R6-23126-LO	•TUBE, outer 1	1	
4	3R2-23153-00	••RING, snap	2	
5	1W1-23145-LO	••DIL SEAL	2	
6	3R8-23144-LO	••SEAL, dust	2	
7	3R8-23148-LO	••COVER, dust seal	2	
8	3R6-23110-LO	•INNER TUBE COMP.1	2	
9	3R6-23170-LO	•CYLINDER COMP., front fork	2	
10	2X7-23151-00	••SPRING, rebound	2	
11	3R6-23173-LO	•SPINDLE, taPer	2	
12	1W1-23114-LO	•GASKET	2	
13	2X7-23340-00-33	•UNDER BRACKET COMP.	1	yamaha black
14	3R6-23141-LO	•SPRING, front fork	2	
15	1W1-23142-LO	•SEAT, sPrinG upper	2	
16	2X3-23191-M0	•BOOT	2	
17	341-92090-60	•BAND, boot	1	
18	3R6-92090-LO	•BAND, boot	1	
19	1W1-23111-LO	•BOLT, caP	2	
20	1W1-23185-LO	•CAP, bolt	2	
21	509-23190-LO	•AIR VALVE COMP.	2	
22	3R4-23389-00	•GUIDE, cable	1	
23	509-23163-LO	•O-RING	2	
24	509-23158-LO	•GASKET	2	
25	122-23129-00	•GASKET, drain Plug	2	
26	278-23181-50	•BOLT, hexaGon socket head	2	
27	90109-08397	•BOLT	4	
28	95311-08600	•NUT	4	



C12

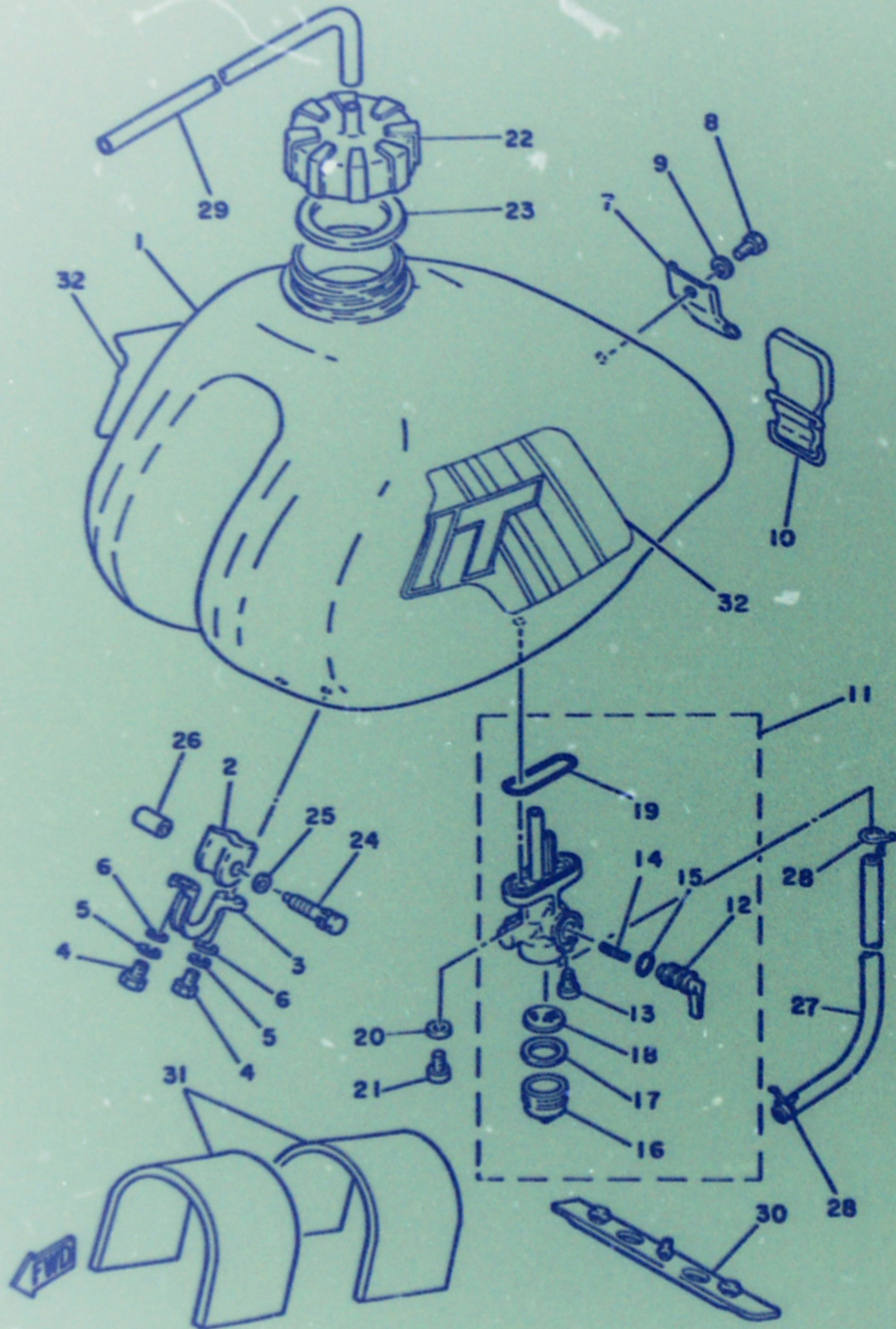
FIG. 20 FRONT FORK



REF. NO.	PART NO.	DESCRIPTION	Q'TY	REMARKS
29	92901-08100	•WASHER, sPring	4	
30	90201-08544	•WASHER, Plate	4	
31	122-23119-01	•PLUG, drain	2	
32	509-23194-L0	•SCREW, boot band	2	

C13

FIG. 21 FUEL TANK



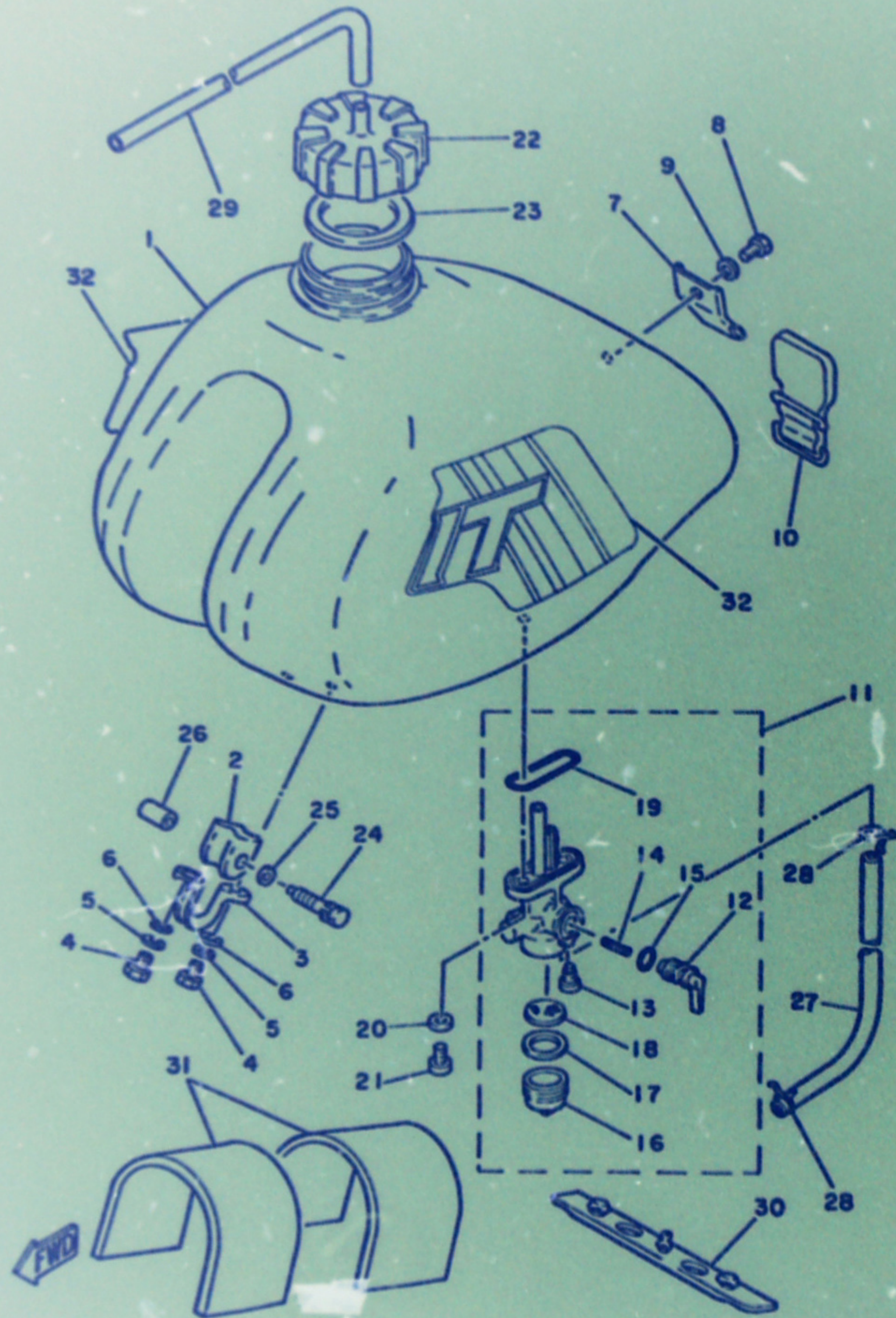
REF. NO.	PART NO.	DESCRIPTION	Q'TY	REMARKS
1	3R6-24110-00	FUEL TANK COMP.	1	sky blue
2	1W1-24182-01	DAMPER, locatinE 2	2	
3	1W1-24144-01	HOLDER, damPer	2	
4	97301-06012	BOLT	4	
5	92901-06100	WASHER, sPrinE	4	
6	92901-06600	WASHER, Plate	4	
7	3R6-24192-00	BRACKET, fuel tank 2	1	
8	97301-06012	BOLT	1	
9	92901-06100	WASHER, sPrinE	1	
10	1W1-24173-00	BAND, tank fitting 1	1	
11	3R9-24500-00	FUEL COCK ASSY 1	1	
12	2W6-24524-00	•LEVER, cock	1	
13	2N3-24535-00	•SCREW, lever fitting	1	
14	2W6-24529-00	•SPRING	1	
15	2N3-24528-00	•O-RING	1	
16	357-24521-10	•CUP, filter	1	
17	357-24522-10	•GASKET	1	
18	2W6-24561-00	•NET, filter	1	
19	2W6-24512-00	•O-RING	1	
20	90202-06010	WASHER, Plate	2	
21	90149-06011	SCREW	2	
22	1K7-24611-01	BODY, caP	1	
23	1K7-24612-02	GASKET, caP	1	
24	90119-06022	BOLT, with washer	2	
25	90201-06407	WASHER, Plate	2	
26	90387-07393	COLLAR	2	
27	90445-11150	HOSE	1	
28	90467-10008	CLIP	2	

C14

FIG. 21 FUEL TANK

UK IT OWNERS FACEBOOK GROUP

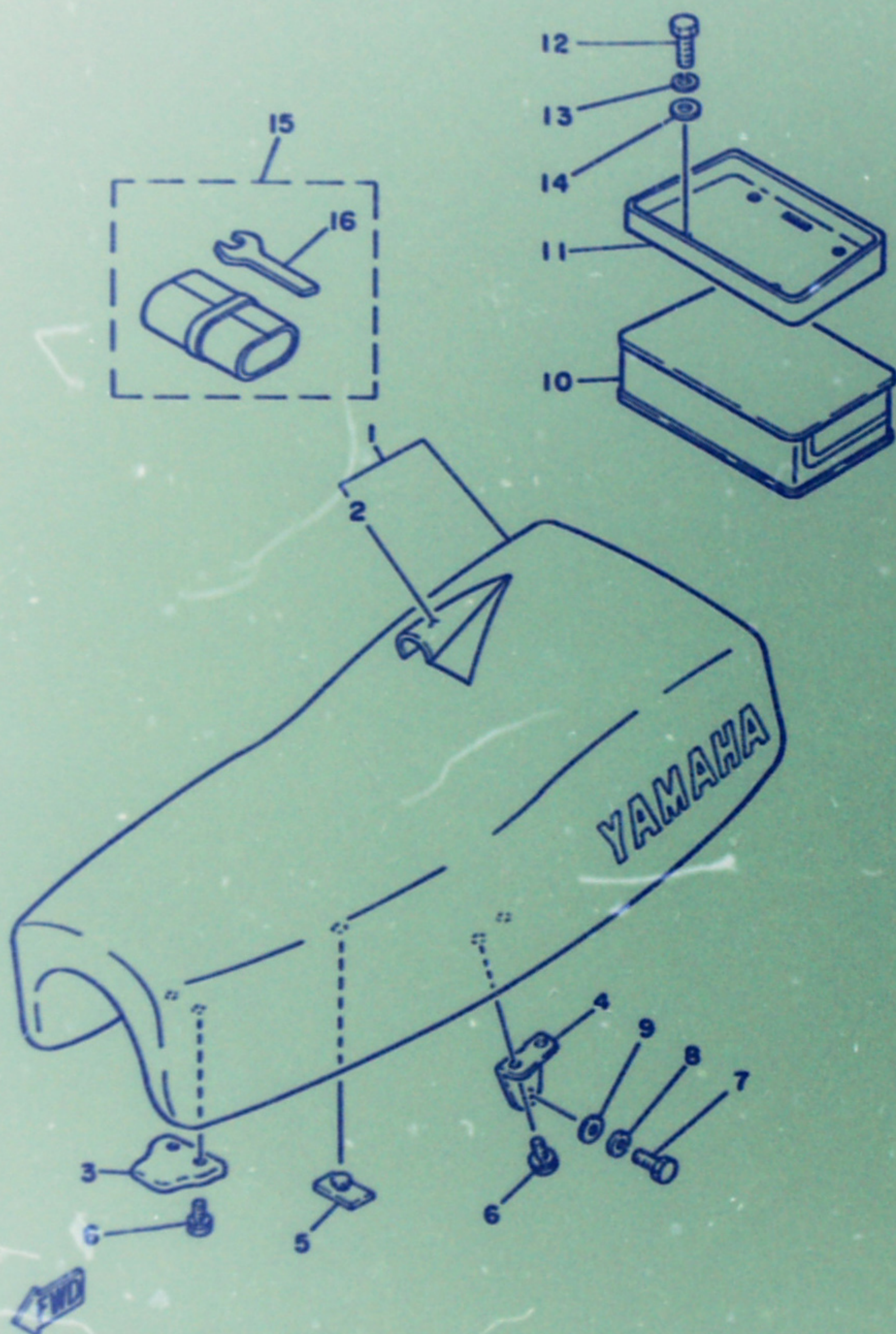
REF. NO.	PART NO.	DESCRIPTION	Q'TY	REMARKS
29	30445-09117	HOSE	1	
30	3R4-24181-00	DAMPER, locatinE 1	1	
31	1W1-24183-00	DAMPER, locatinE 3	2	
32	3R6-24240-29	GRAPHIC SET	1	



C15

FIG. 22 SEAT

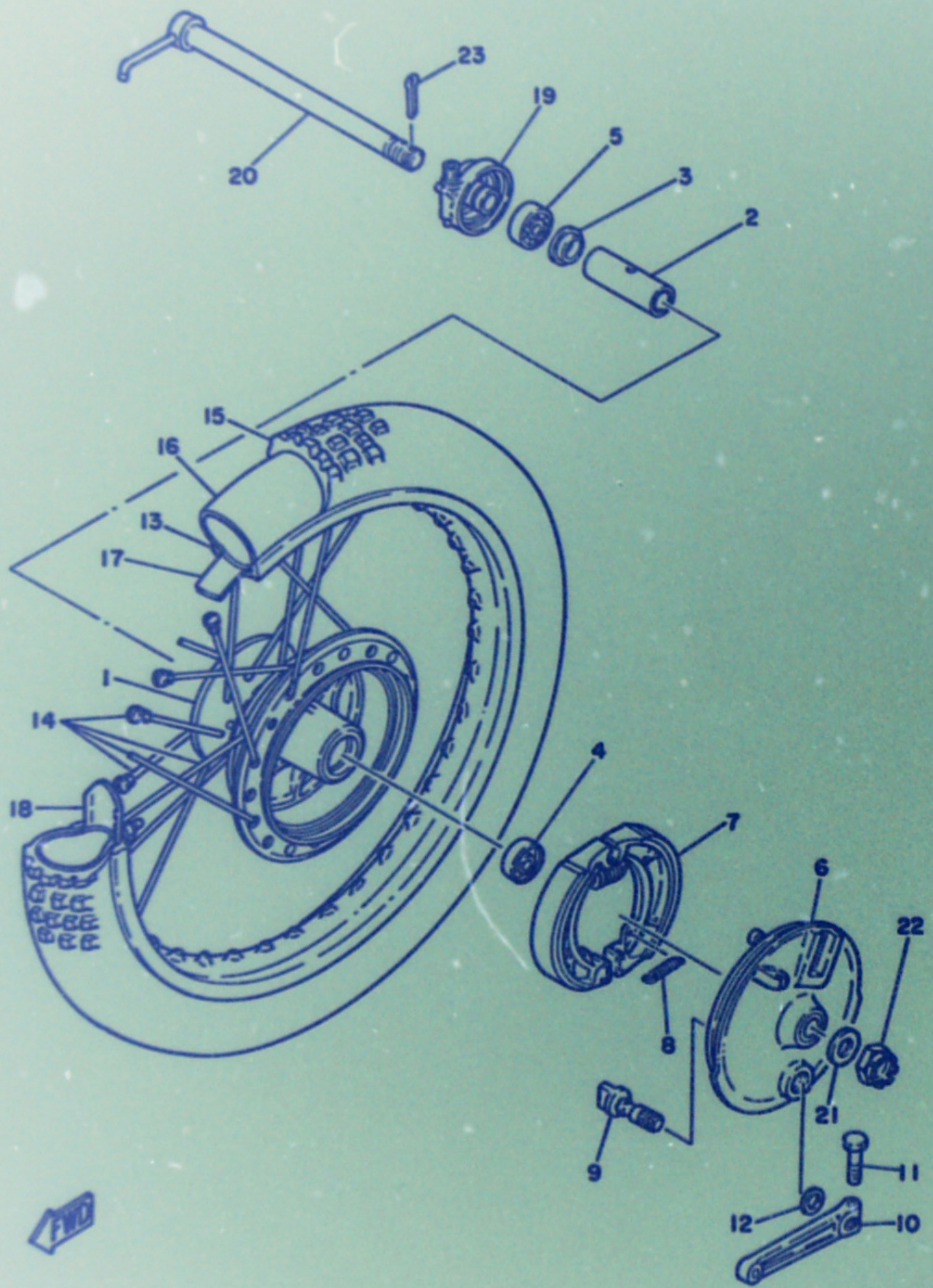
REF. NO.	PART NO.	DESCRIPTION	Q'TY	REMARKS
1	3R6-W2473-10	SEMI-DOUBLE SEAT ASSY	1	
2	3R6-24771-10	•COVER, semi-double seat	1	
3	1M1-24748-00	BRACKET, seat	1	
4	509-24738-01	BRACKET, seat	2	
5	509-24724-00	DAMPER, seat	6	
6	90101-06304	BOLT	6	
7	97301-06014	BOLT	2	
8	92901-06100	WASHER, sPrinG	2	
9	92901-06600	WASHER, Plate	2	
10	4V5-24850-00	CARRIER BOX ASSY	1	
11	4V5-24833-00	BRACKET, carrier 2	1	
12	97301-06018	BOLT	3	
13	92901-06100	WASHER, sPrinG	3	
14	90201-06067	WASHER, Plate	3	
15	1W2-28100-10	TOOL KIT	1	
16	1W1-28135-10	•SPANNER, sPecial	1	



D2

FIG. 23 FRONT WHEEL

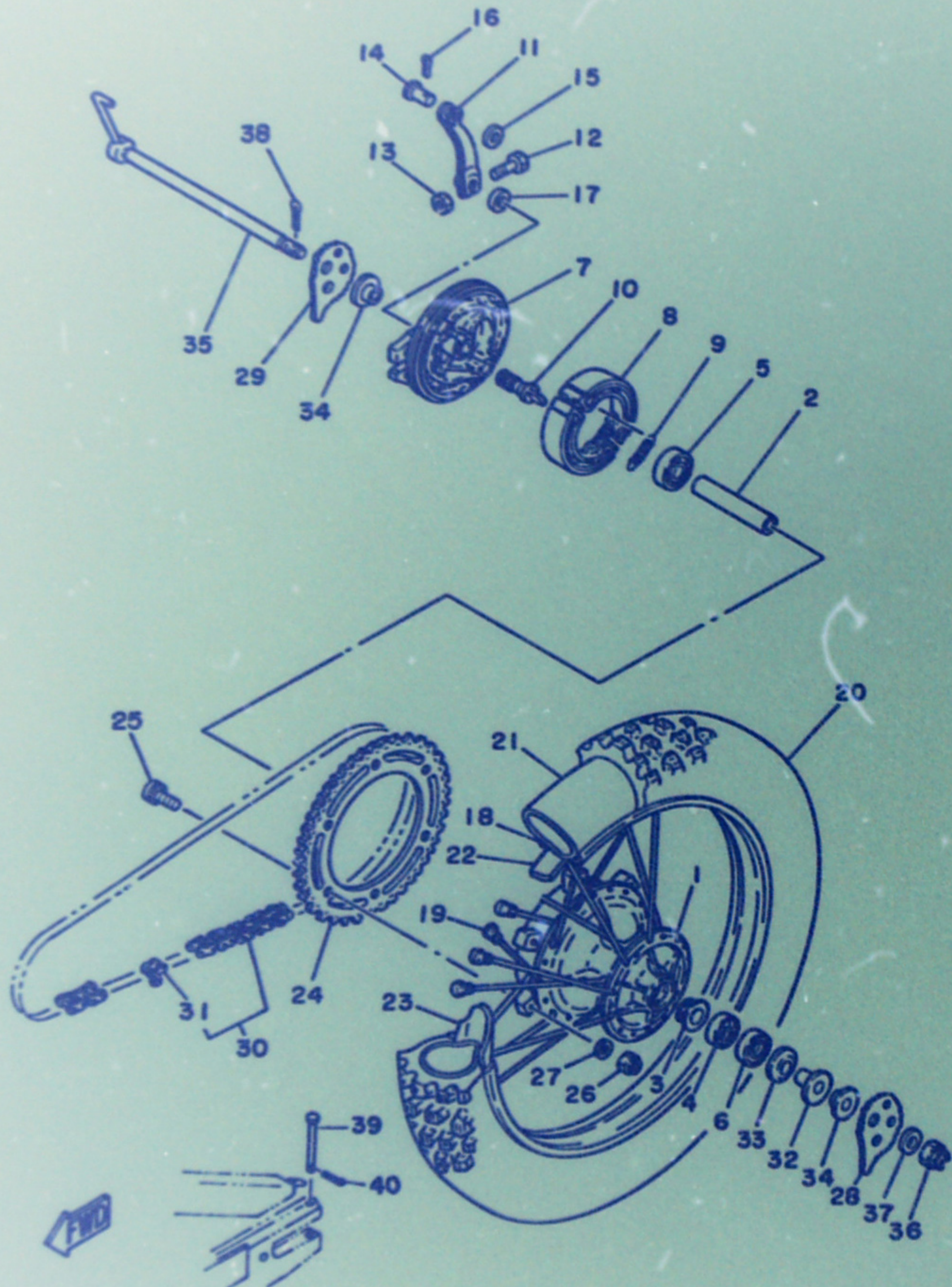
REF. NO.	PART NO.	DESCRIPTION	Q'TY	REMARKS
1	1K7-25111-10-98	HUB, front	1	low gloss black
2	90560-15116	SPACER	1	
3	146-25116-00	FLANGE, spacer 2	1	
4	93306-20203	BEARING (B6202RS)	1	
5	93306-20205	BEARING (B6202)	1	
6	1W1-25121-01-98	PLATE, brake shoe	1	low gloss black
7	322-25130-00	BRAKE SHOE COMP.	2	
8	90506-16036	SPRING, tension	2	
9	322-25151-00	CAMSHAFT	1	
10	322-25155-00	LEVER, camshaft 1	1	
11	90101-06291	BOLT	1	
12	137-25159-00	SEAL, camshaft	1	
13	94416-21234	RIM (1.60-21)	1	
14	2W6-25104-01	SPOKE SET, front	1	
15	94130-21584	TIRE (3.00-21)	1	
16	94230-21126	TUBE (3.00-21)	1	inoue
17	94330-21088	BAND, rim (3.00-21)	1	inoue
18	1T1-25194-00	SPACER, bead	1	
19	1W2-25190-00	GEAR UNIT ASSY	1	
20	1W2-25181-02	AXLE, wheel	1	
21	90201-15785	WASHER, Plate	2	
22	90171-14020	NUT, castle	1	
23	91401-30030	PIN, cotter	1	



D3

FIG. 24 REAR WHEEL

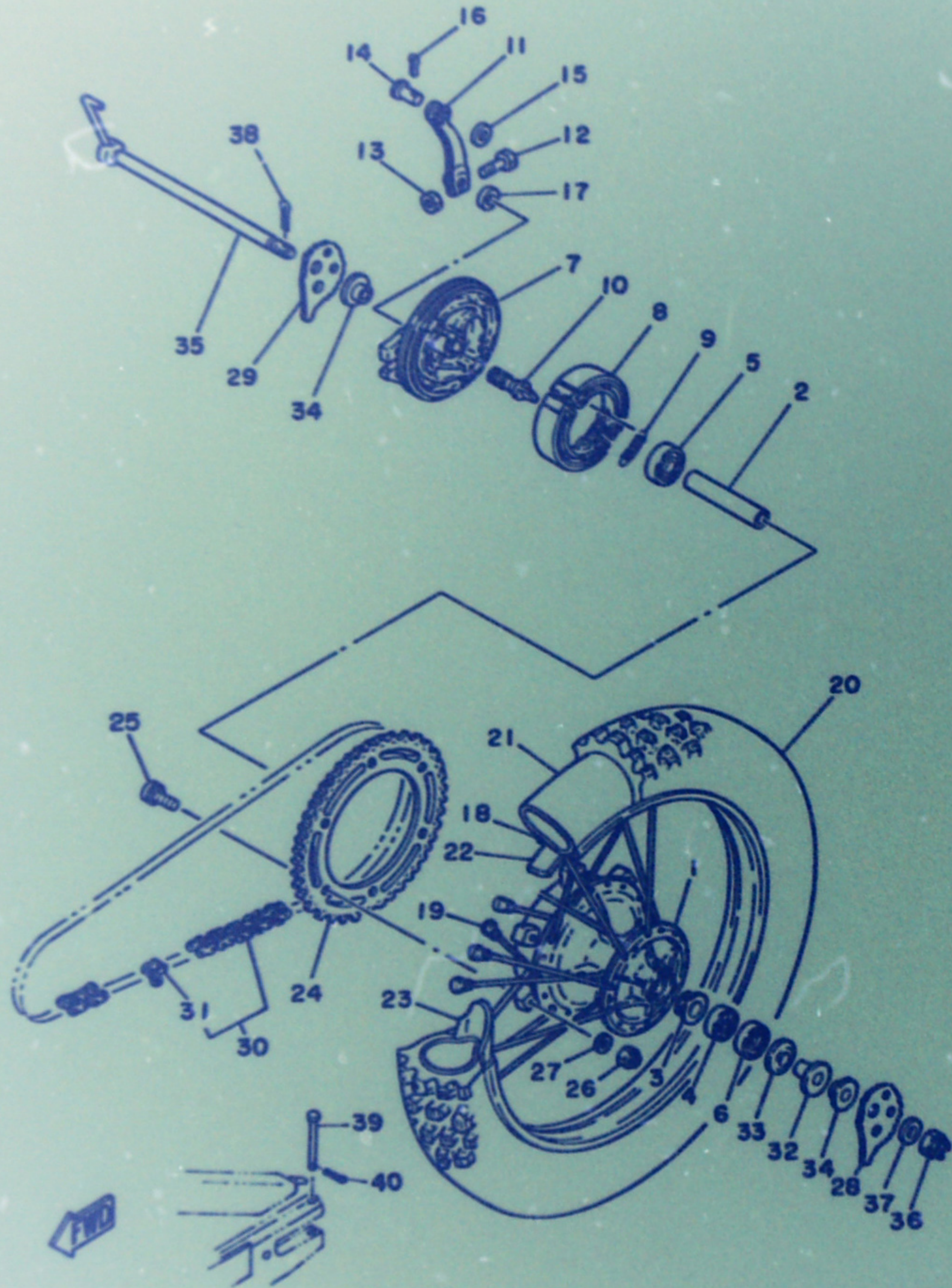
REF. NO.	PART NO.	DESCRIPTION	Q'TY	REMARKS
1	3R3-25311-01-98	HUB, rear	1	low gloss black
2	3R3-25317-00	SPACER, bearing	1	
3	183-25315-00	FLANGE, spacer	1	
4	93306-20205	BEARING (B6202)	1	
5	93306-30203	BEARING (B6302Z)	1	
6	93106-22017	OIL SEAL	1	
7	3R6-25321-00-98	PLATE, brake shoe	1	low gloss black
8	437-25330-00	BRAKE SHOE COMP.	2	
9	90506-16036	SPRING, tension	2	
10	401-25351-00	CAMSHAFT	1	
11	3R6-25355-01	LEVER, camshaft	1	
12	90101-06278	BOLT	1	
13	95301-06600	NUT	1	
14	3R6-27237-00	PIN, clevis	1	
15	90201-12631	WASHER, plate	1	
16	91401-25022	PIN, cotter	1	
17	148-25359-00	SEAL, camshaft	1	
18	94418-18245	RIM (1.85-18)	1	
19	4V2-25304-00	SPDKE SET, rear	1	
20	94141-18585	TIRE (4.10-18)	1	
21	94235-18022	TUBE (3.50-18)	1	
22	94325-18043	BAND, rim (2.50-18)	1	
23	2X3-25394-00	SPACER, bead	2	
24	3R6-25444-10-33	SPROCKET, driven (44T)	1	UR STD
	3R6-25442-10-33	SPROCKET, driven (42T)	1	yamaha black
	3R6-25446-10-33	SPROCKET, driven (46T)	1	UR yamaha black
25	90110-08038	BOLT, hexagon socket head	6	
26	90185-08054	NUT, self-locking	6	



D4

FIG. 24 REAR WHEEL

REF. NO.	PART NO.	DESCRIPTION	Q'TY	REMARKS
27	92901-08200	WASHER, Plain	6	
28	1W2-25388-01	PULLER, chain 1	1	
29	1W2-25389-01	PULLER, chain 2	1	
30	94585-20100	CHAIN, drive (DID520DS 100L)	1	
31	94685-20001	•JDINT, chain	1	
32	90387-152A3	COLLAR	1	
33	3R3-25367-00	COVER, hub dust	1	
34	90381-15034	BUSH, solid	2	
35	3R6-25381-00	AXLE, wheel	1	
36	90171-14020	NUT, castle	1	
37	90201-15238	WASHER, Plate	1	
38	91402-30028	PIN, cotter	1	
39	91702-06055	PIN, clevis	2	
40	91402-20012	PIN, cotter	2	



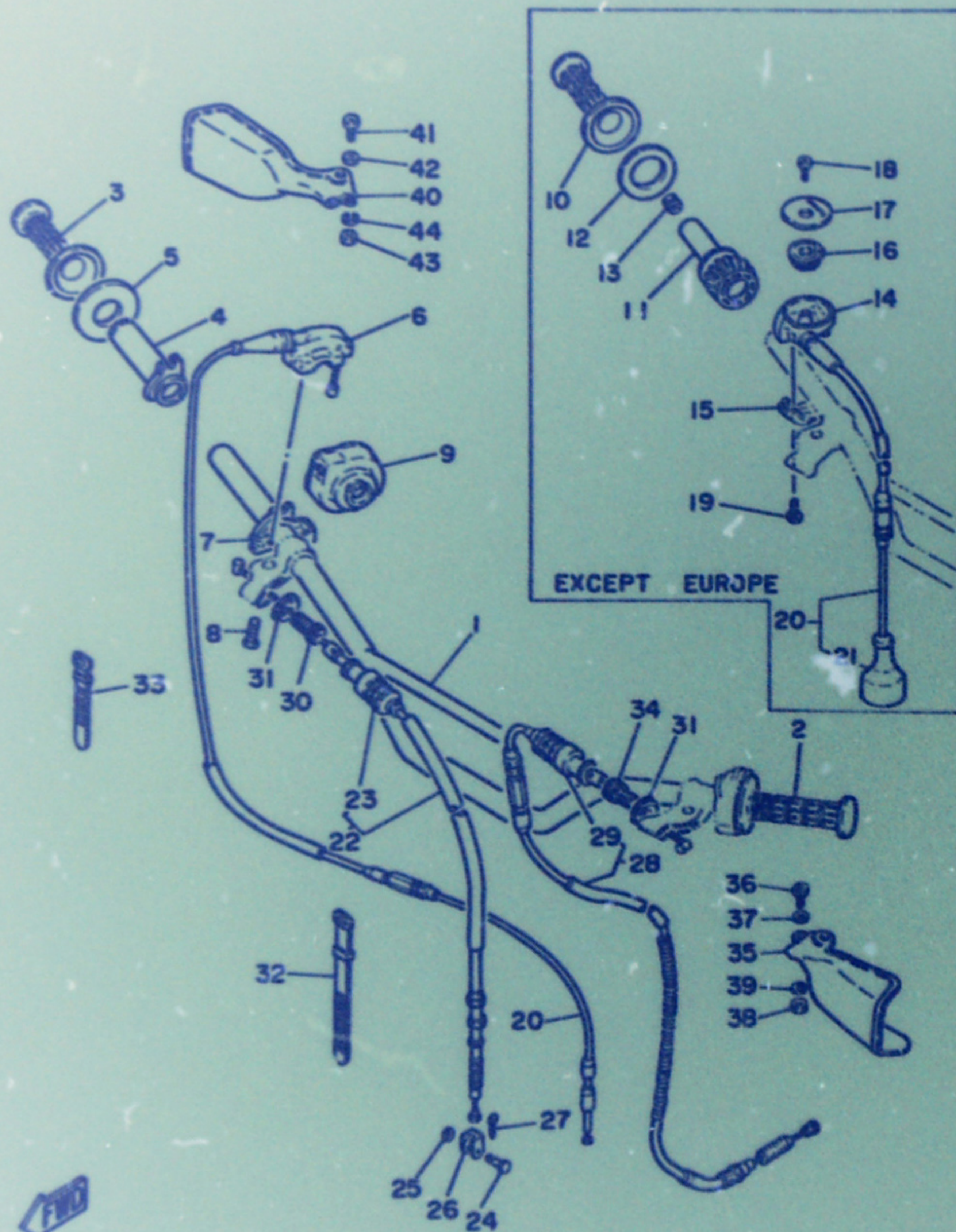
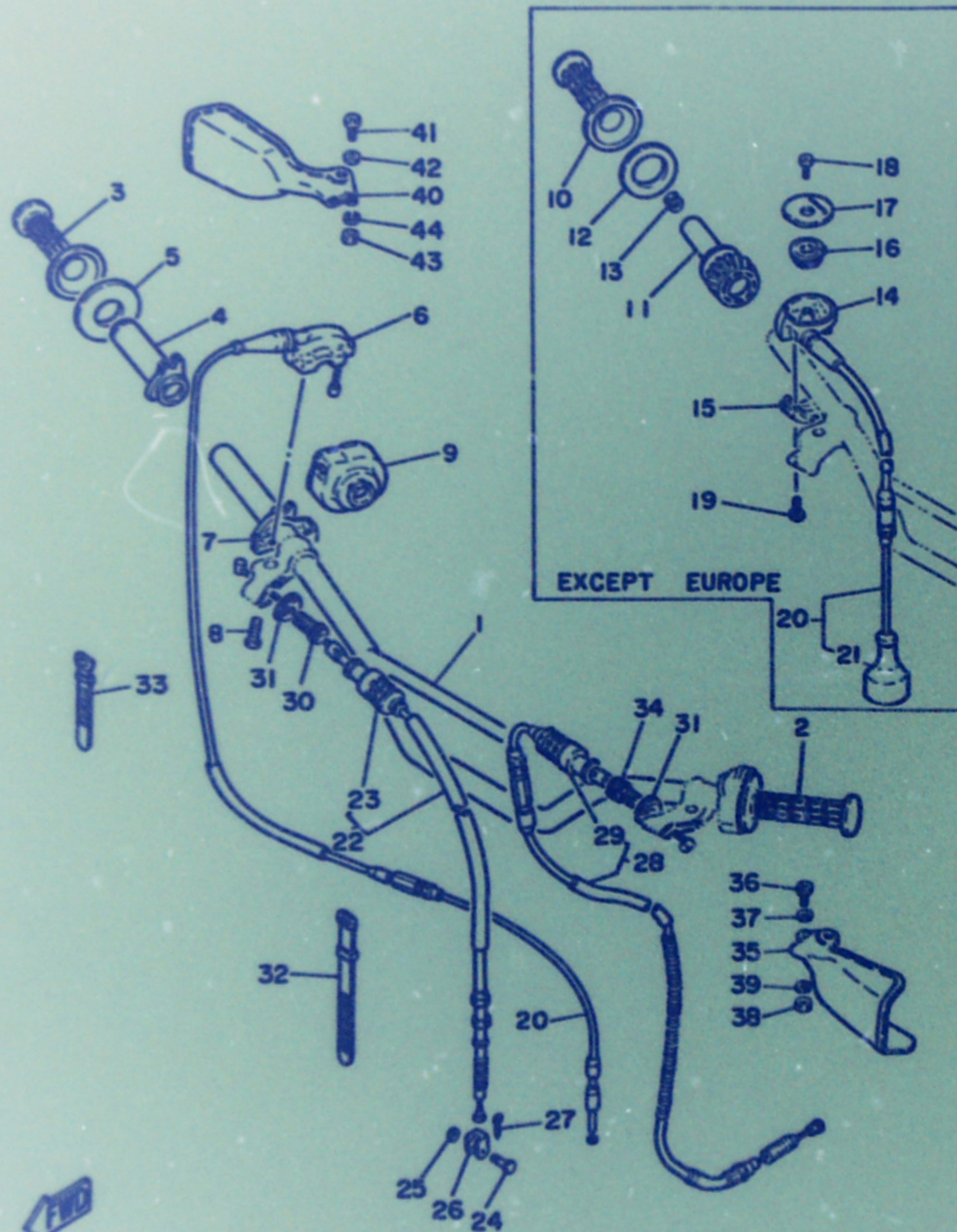


FIG. 25 HANDLEBAR-CABLE

REF. NO.	PART NO.	DESCRIPTION	Q'TY	REMARKS
1	3R6-26111-00	HANDLEBAR	1	
2	4V4-26241-00	GRIP (L.H)	1	
3	3R9-26242-00	GRIP (R.H)	1	
4	322-26243-00	TUBE, throttle Guide	1	
5	1W1-26249-00	RING, leaf	1	for europe
6	322-26281-00-98	CAP, grip upper	1	low Gloss black
7	322-26282-00-98	CAP, grip lower	1	low Gloss black
8	98501-05016	SCREW, Pan head	2	
9	3R8-26287-00	COVER, cap Grip	1	
10	4V4-26242-00	GRIP (R.H)	1	
11	4V6-26243-00	TUBE, throttle Guide	1	
12	4V4-26249-00	RING, leaf	1	
13	688-82535-00	GROMMET	1	
14	4V4-26281-00	CAP, Grip upper	1	except europe
15	4V4-26282-00	CAP, Grip lower	1	
16	4V6-2628E-00	GEAR, bevel	1	
17	4V4-2628F-00	CAP, Gear	1	
18	98906-05010	SCREW, bind	1	
19	98501-05016	SCREW, Pan head	2	
20	3R3-26311-00	CABLE, throttle 1	1	UR for europe
	4V2-26311-00	CABLE, throttle 1	1	UR except europe
21	500-26329-01	CAP, rubber	1	except europe
22	3R6-26341-01	CABLE, brake	1	
23	1E6-26342-00	BOOT, cable	1	
24	90240-08012	PIN, clevis	1	
25	90201-08083	WASHER, Plate	1	
26	156-26347-00	JOINT, cable	1	
27	91401-20012	PIN, cotter	1	

D6

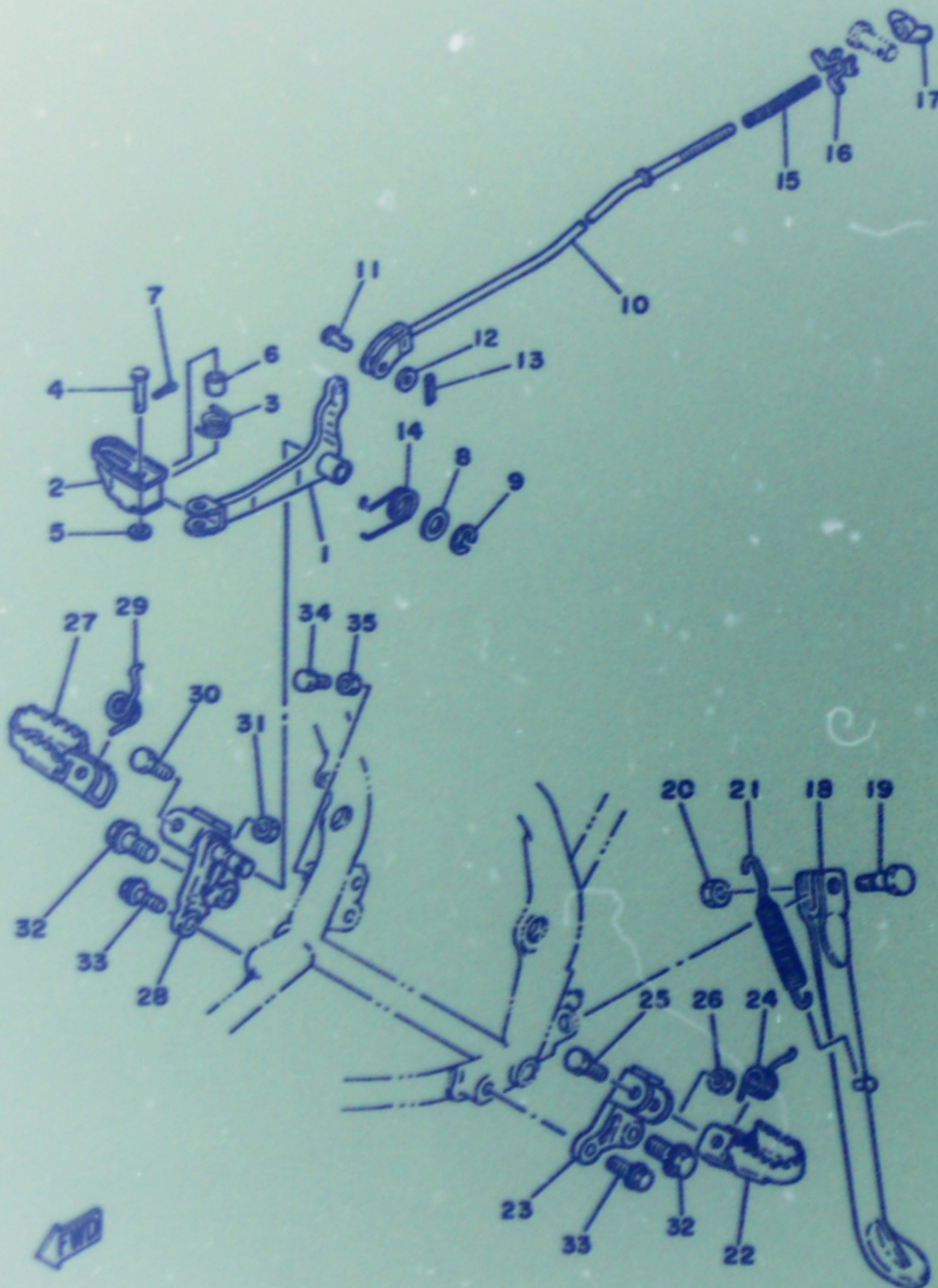
FIG. 25 HANDLEBAR-CABLE



REF. NO.	PART NO.	DESCRIPTION	Q'TY	REMARKS
28	3R6-26335-00	CABLE, clutch	1	
29	1E6-26342-00	BOOT, cable	1	
30	90123-08046	BOLT	1	
31	90179-08148	NUT	2	
32	437-83936-10	BAND, switch cord	1	
33	437-83936-00	BAND, switch cord	1	
34	90123-08046	BOLT	1	
35	3R9-26141-00	GUARD, brush 1	1	sky blue
36	92501-06015	SCREW, Pan head	1	
37	92901-06600	WASHER, Plate	1	
38	95301-06700	NUT	1	
39	92901-06200	WASHER, Plain	1	
40	3R9-26142-00	GUARD, brush 2	1	sky blue
41	92501-06015	SCREW, Pan head	1	
42	92901-06600	WASHER, Plate	1	
43	95301-06700	NUT	1	
44	92901-06200	WASHER, Plain	1	

D7

FIG. 26 STAND-FOOTREST

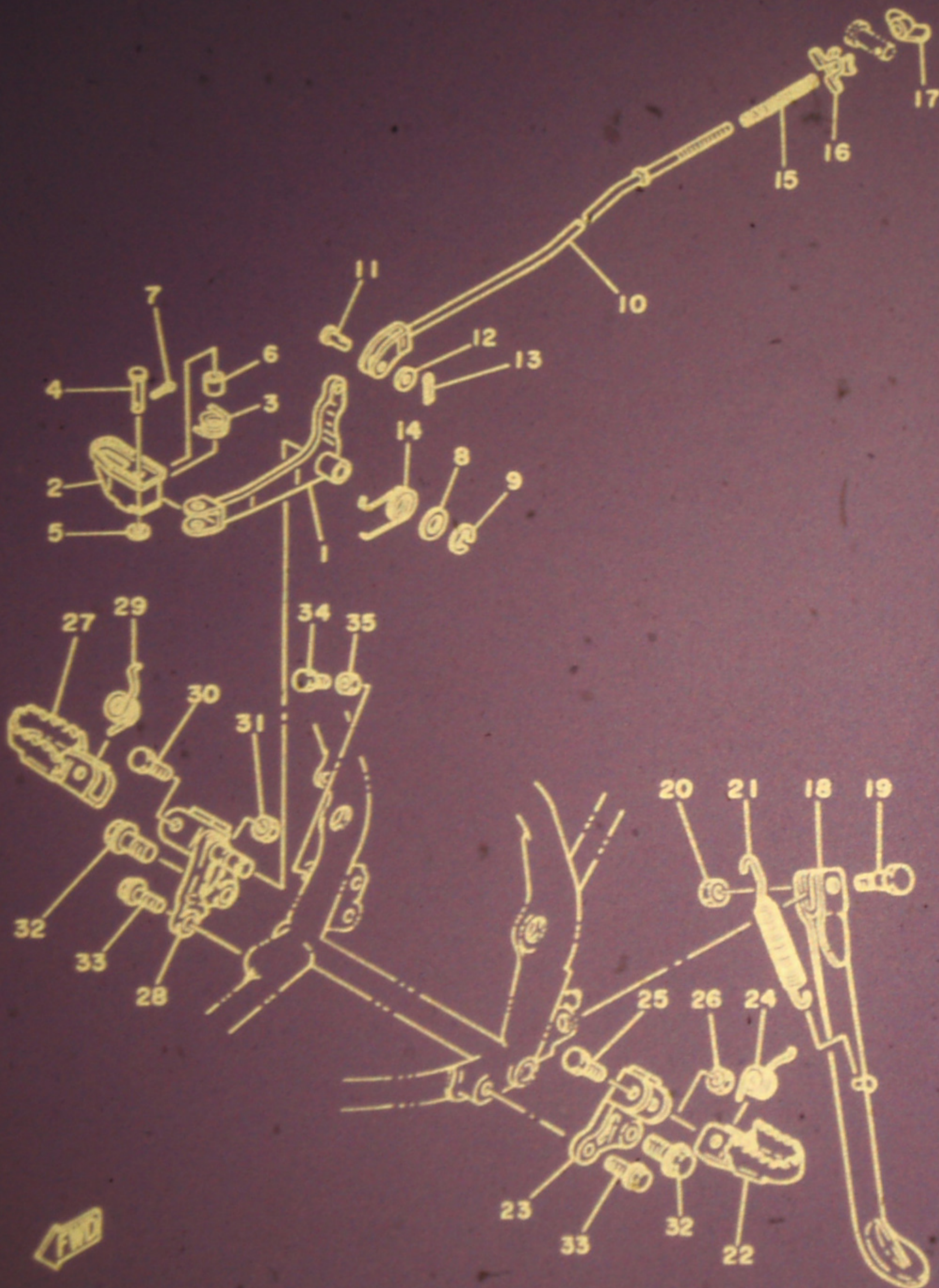


REF. NO.	PART NO.	DESCRIPTION	Q'TY	REMARKS
1	3R6-27211-01-90	PEDAL, brake	1	uni chrome (black)
2	3R6-27242-00	PEDAL, brake	1	
3	90508-20451	SPRING, torsion	1	
4	91701-08032	PIN, clevis	1	
5	92901-08600	WASHER, Plate	1	
6	90387-08762	COLLAR	1	
7	91401-25012	PIN, cotter	1	
8	92902-12200	WASHER	1	
9	93430-09038	CIRCLIP	1	
10	3R6-27231-00	ROD, brake	1	
11	90240-06040	PIN, clevis	1	
12	92901-06200	WASHER, Plain	1	
13	91401-20012	PIN, cotter	1	
14	90508-32455	SPRING, torsion	1	
15	90501-10245	SPRING, compression	1	
16	1W2-27239-00	SEAT, spring	1	
17	90175-06013	NUT, wing	1	
18	2K6-27311-01-33	STAND, side	1	
19	90109-10473	BOLT	1	
20	95301-10700	NUT	1	
21	90507-29008	SPRING, tension	1	
22	4V4-27411-00	FOOTREST 1	1	
23	4V2-27412-00	BRACKET, footrest 1	1	
24	90508-20023	SPRING, torsion	1	
25	5D101-08428	BOLT	1	
26	95631-08100	NUT, u	1	
27	4V4-27421-00	FOOTREST 2	1	
28	3R6-27422-10	BRACKET, footrest 2	1	

D8

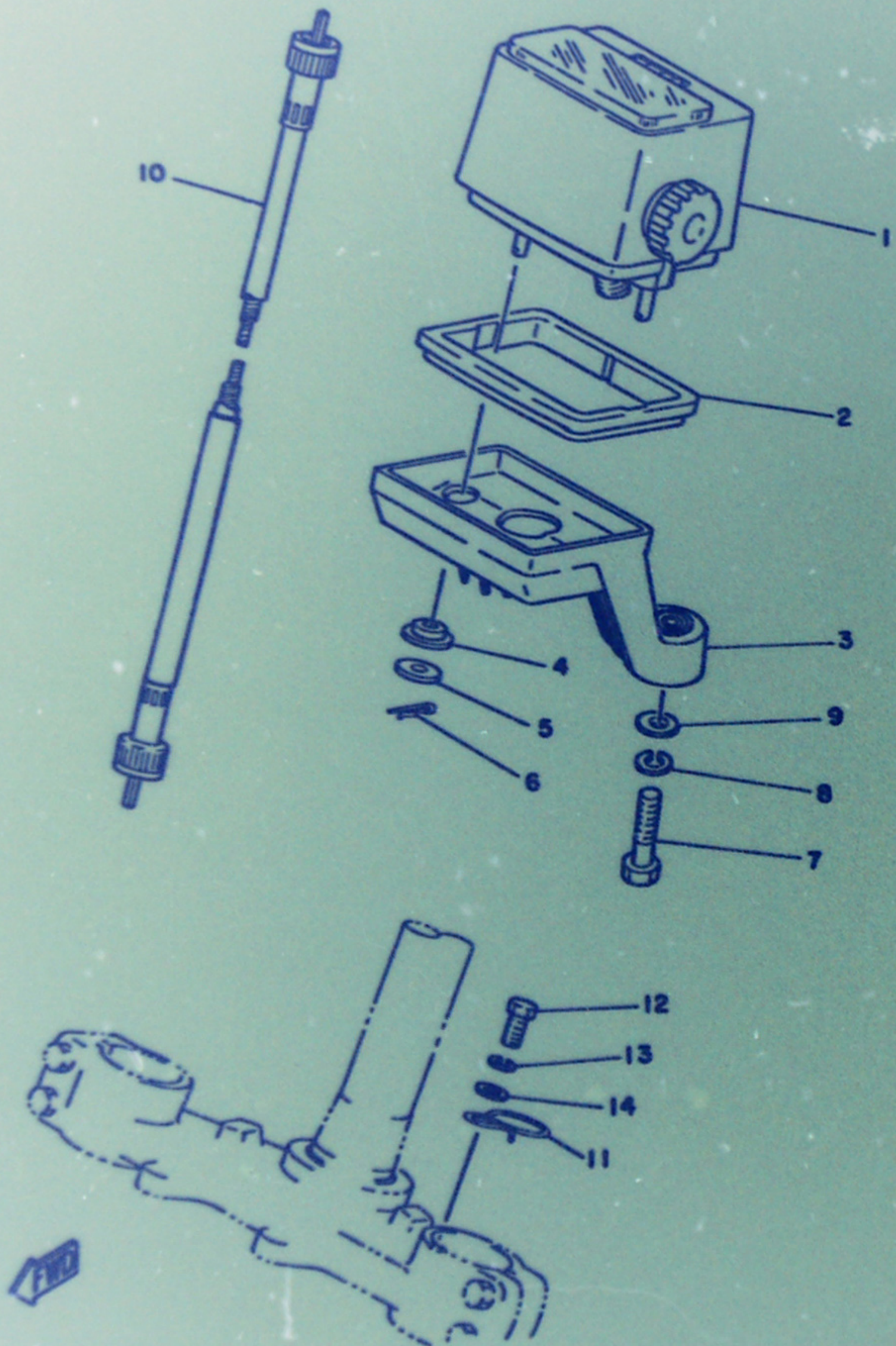
FIG. 26 STAND-FOOTREST

REF. NO.	PART NO.	DESCRIPTION	Q'TY	REMARKS
29	90508-20023	SPRING, torsion	1	
30	90101-08428	BOLT	1	
31	95601-08100	NUT, u	1	
32	90105-12096	BOLT, washer based	2	
33	95821-10020	BOLT, flange	2	
34	97302-06020	BOLT	1	
35	95302-06700	NUT	1	



D9

FIG. 27 METER



REF. NO.	PART NO.	DESCRIPTION	Q'TY	REMARKS
1	3R8-83570-60	SPEEDOMETER ASSY	1	UR mile/h
	3R8-83570-F0	SPEEDOMETER ASSY	1	UR km/h
2	3R8-83513-00	DAMPER	1	
3	3R8-83519-00	BRACKET, meter	1	
4	1M1-83526-00	DAMPER 2	2	
5	1E6-83524-60	WASHER, sPecial	2	
6	90468-12007	CLIP	2	
7	97321-06030	BOLT	2	
8	92901-06100	WASHER, sPrinG	2	
9	92901-06600	WASHER, Plate	2	
10	3R6-83550-00	SPEEDOMETER CABLE ASSY	1	
11	2A6-83595-00	CLAMP	1	
12	97301-06012	BOLT	1	
13	92901-06100	WASHER, sPrinG	1	
14	92901-06600	WASHER, Plate	1	

D10

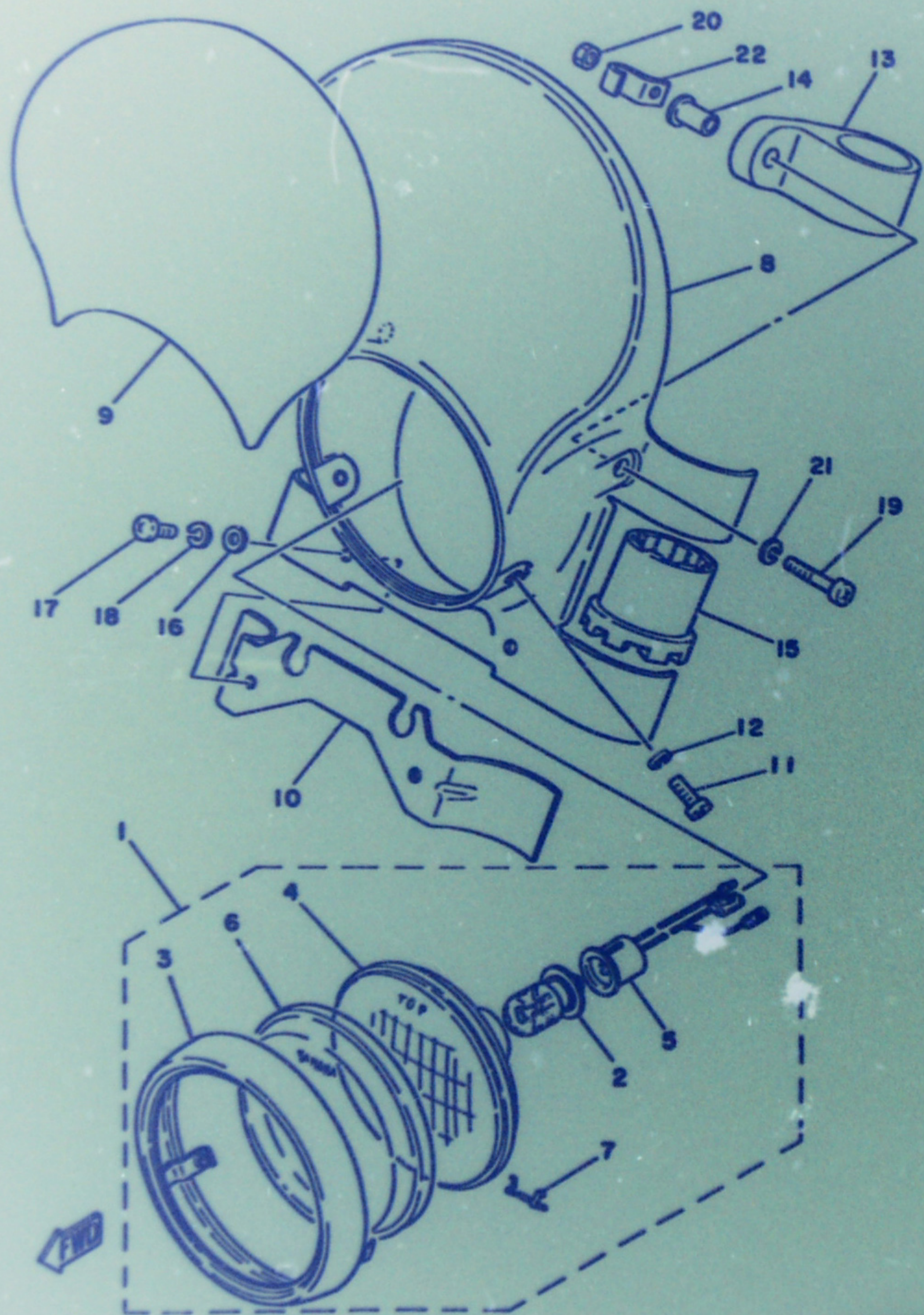


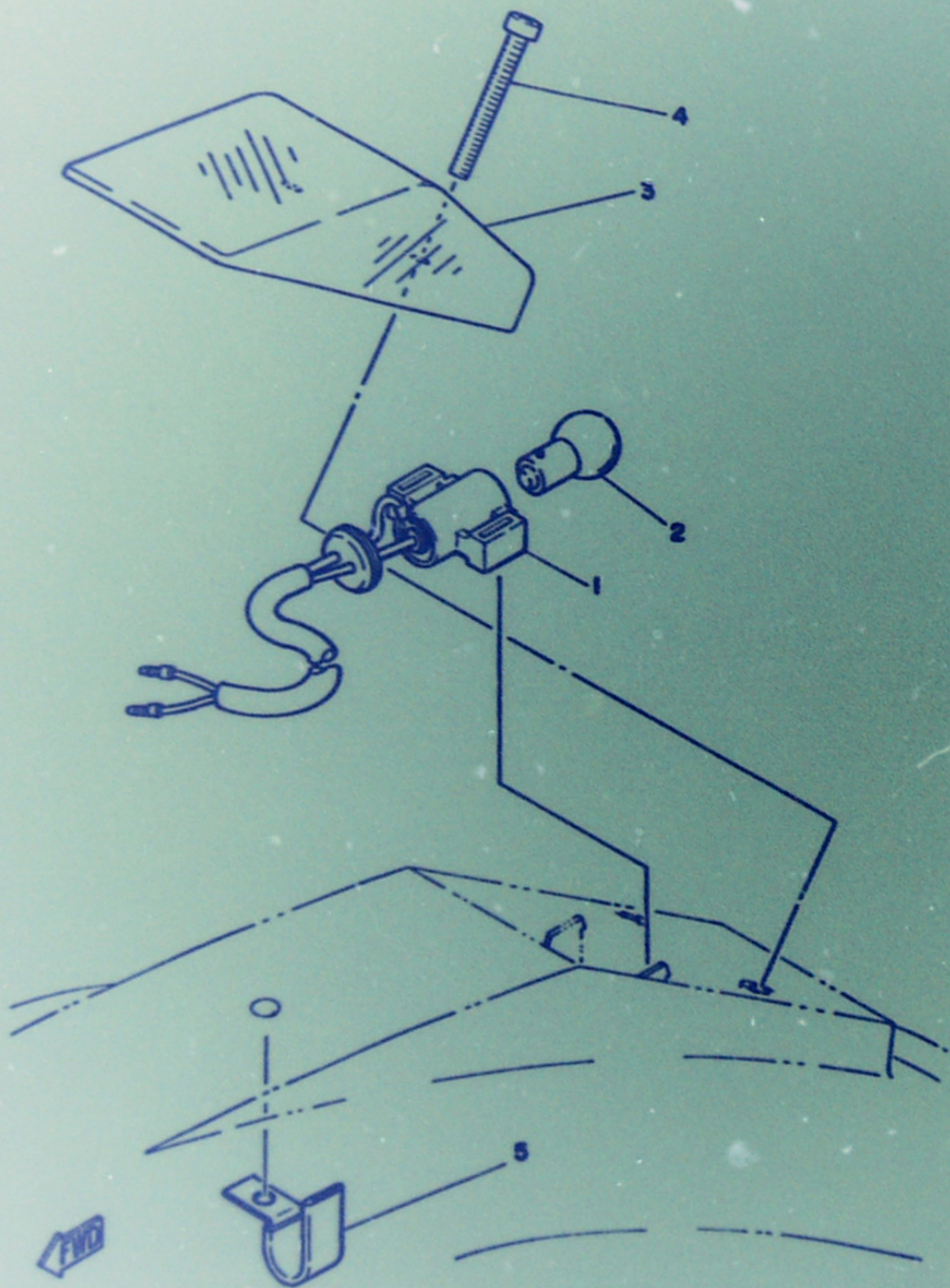
FIG. 28 HEADLIGHT

REF. NO.	PART NO.	DESCRIPTION	Q'TY	REMARKS
1	3R8-84110-61	HEADLIGHT UNIT ASSY	1	
2	527-84114-09	•BULB (6V-25/25W)	1	
3	3R8-84115-60	•RIM, headlight	1	
4	3R8-84120-60	•LENS ASSY	1	
5	3R8-84140-61	•SOCKET CORD ASSY	1	
6	3R8-84144-60	•COVER, headlight	1	
7	1W2-84324-60	•SPRING, lens fitting	4	
8	3R8-84130-00	BODY ASSY, headlight	1	sky blue
9	3R8-84141-01	EMBLEM, headlight	1	
10	3R8-84181-00	BRACKET, lower 1	1	
11	98501-05016	SCREW, Pan head	2	
12	92901-05100	WASHER, sPrinE	2	
13	3R8-84163-00	DAMPER	2	
14	3R8-84133-00	COLLAR, screw	2	
15	3R8-84164-00	DAMPER	2	
16	90201-06571	WASHER, Plate	2	
17	92501-06012	SCREW, Pan head	2	
18	92901-06100	WASHER, sPrinE	2	
19	92501-06030	SCREW, Pan head	2	
20	90185-06062	NUT, self-lockinE	2	
21	90201-06407	WASHER, Plate	2	
22	90462-05005	CLAMP	1	

D11

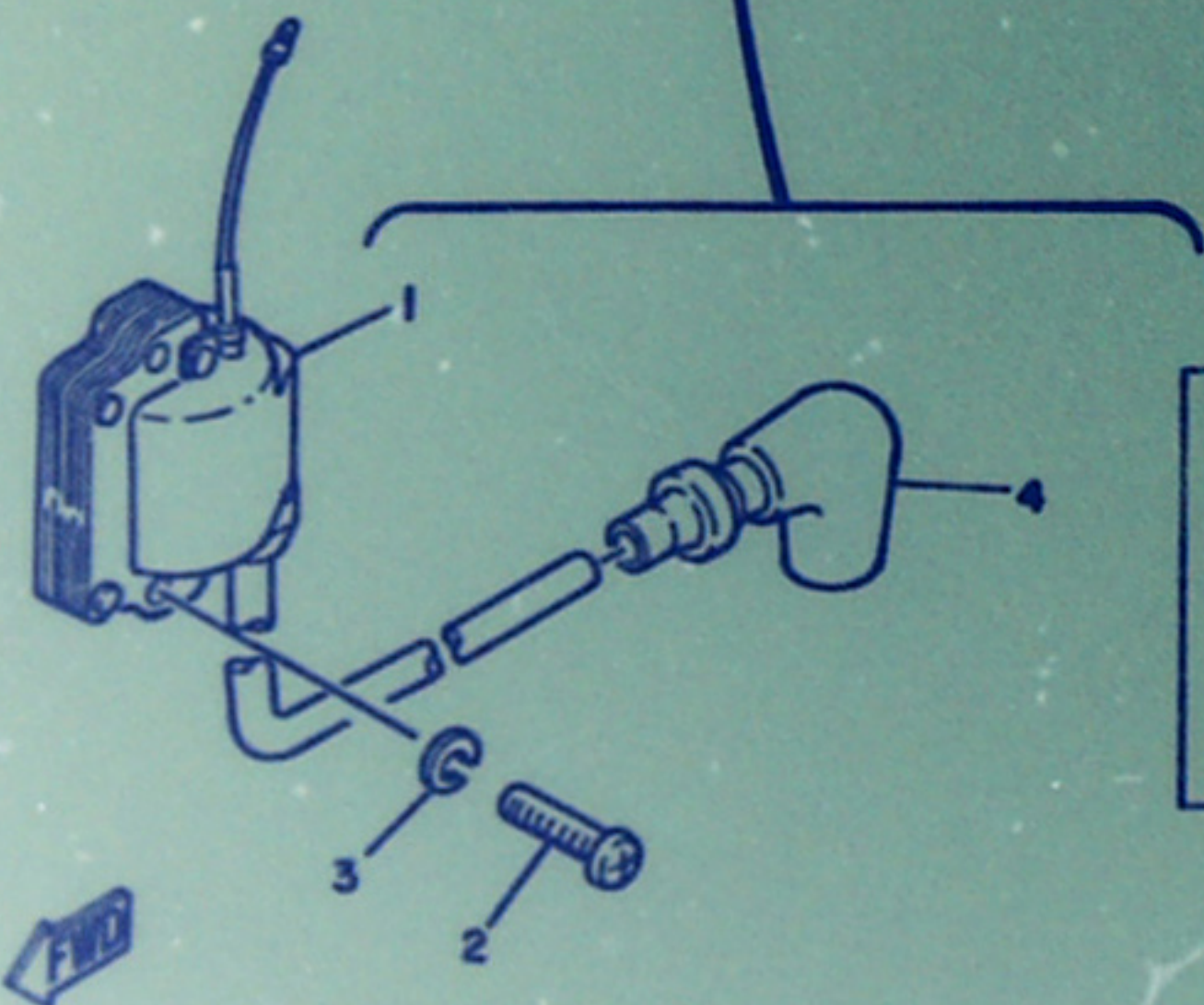
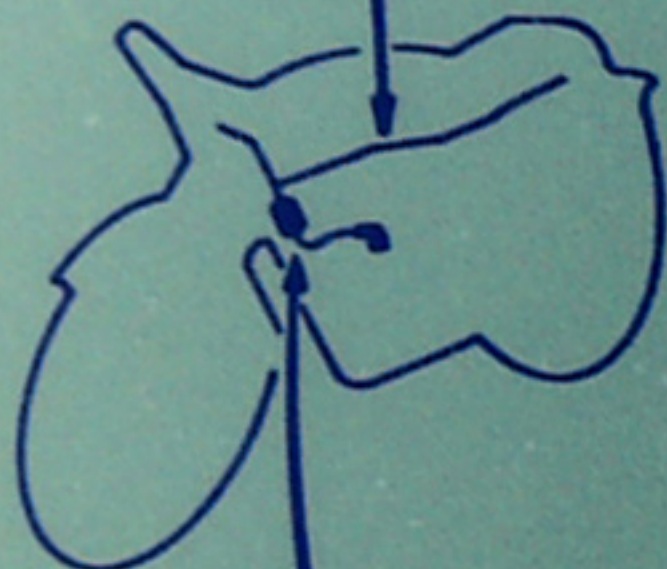
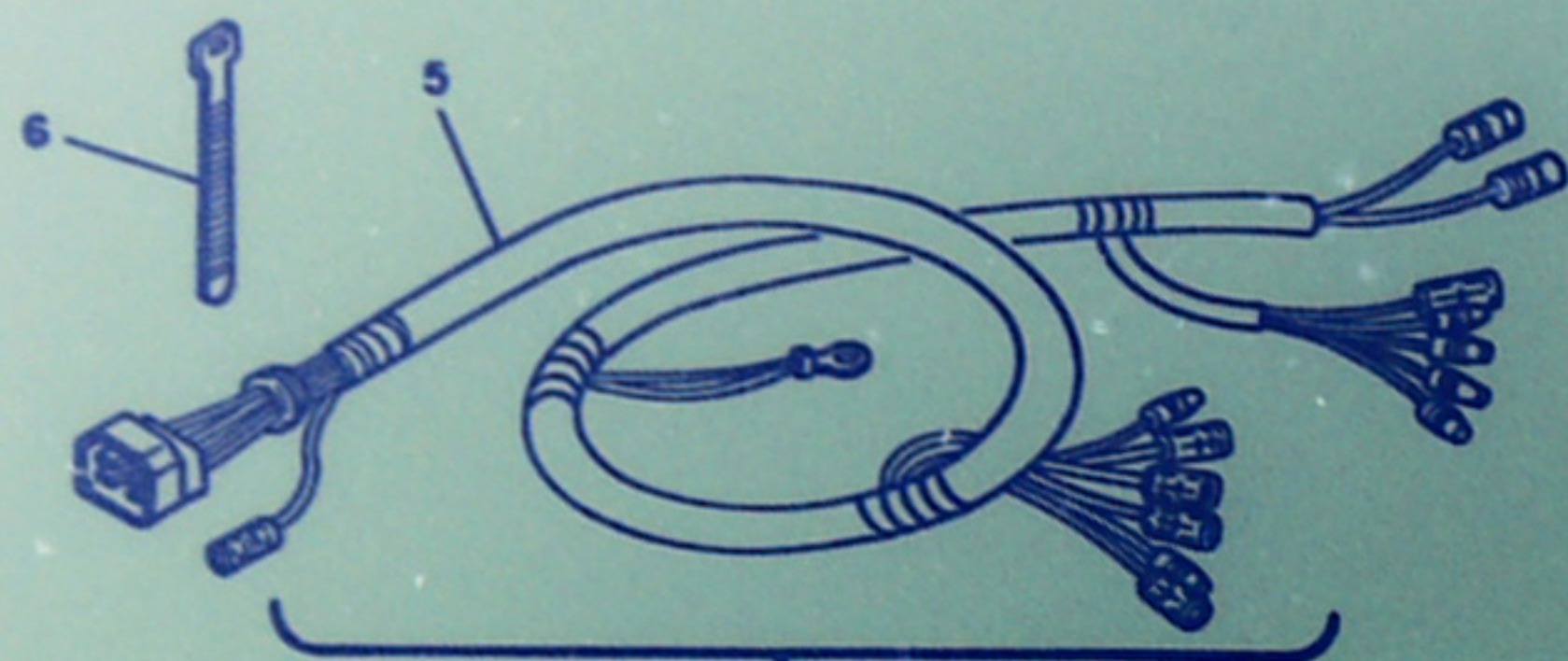
FIG. 29 TAILLIGHT

REF. NO.	PART NO.	DESCRIPTION	Q'TY	REMARKS
1	3R9-84536-00	SOCKET CORD ASSY	1	
2	3R9-84514-00	BULB, tail lamp (6V-5W)	1	
3	3R9-84521-00	LENS, taillight	1	
4	98501-04035	SCREW, Pan head	2	
5	90462-05005	CLAMP	1	



D12

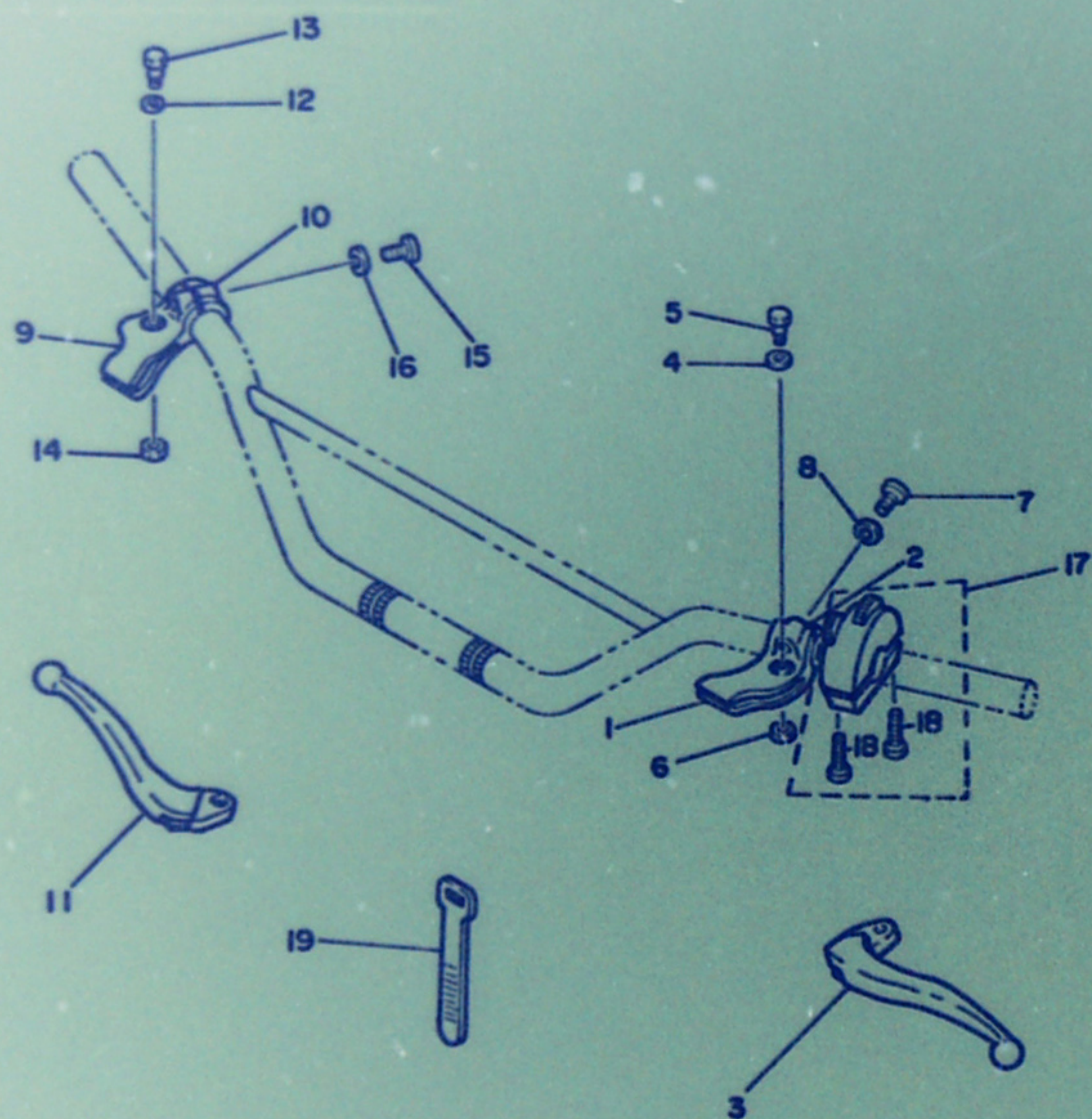
FIG. 30 ELECTRICAL 1



REF. NO.	PART NO.	DESCRIPTION	Q'TY	REMARKS
1	1M2-82310-40	IGNITION COIL ASSY	1	
2	92501-06025	SCREW, Pan head	2	
3	92901-06100	WASHER, sPrinE	2	
4	3R0-82370-20	PLUG CAP ASSY	1	UR
	8E7-82370-11	PLUG CAP ASSY	1	UR with noise suppressor
5	3R6-82590-00	WIRE HARNESS ASSY	1	
6	437-83936-00	BAND, switch cord	4	

D13

FIG. 31 HANDLE SWITCH-LEVER



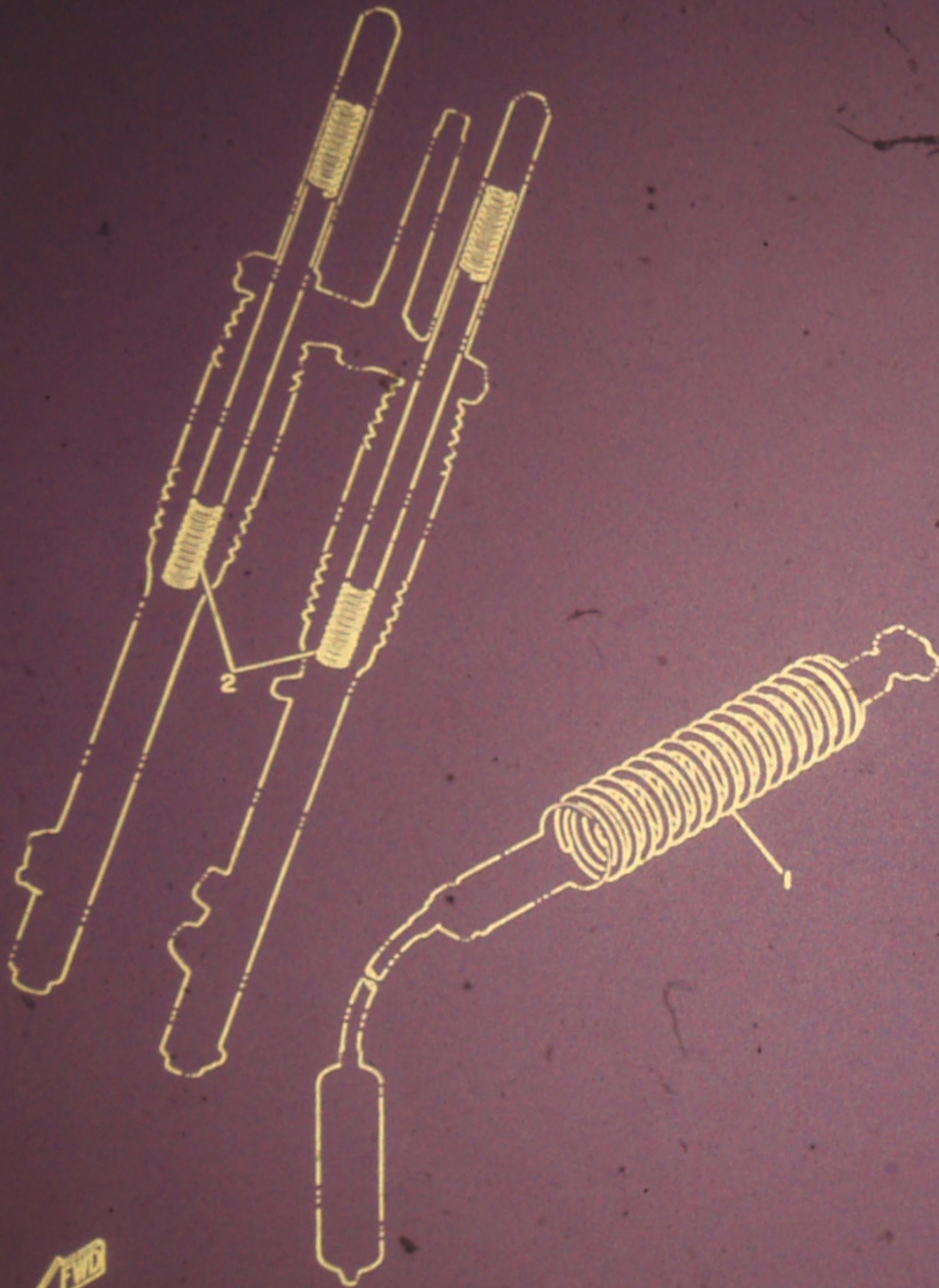
REF. NO.	PART NO.	DESCRIPTION	Q'TY	REMARKS
1	4V4-82911-00	HOLDER, lever 1	1	
2	4V4-82913-00	HOLDER, lever lower 1	1	
3	3M2-83912-00	LEVER 1	1	
4	90201-08083	WASHER, Plate	1	
5	90109-06410	BOLT	1	
6	95601-06100	NUT, u	1	
7	98506-05020	SCREW, Pan head	2	
8	92906-05100	WASHER, sPrinE	2	
9	4V4-82921-00	HOLDER, lever 2	1	
10	4V4-82913-00	HOLDER, lever lower 1	1	
11	3M2-83922-00	LEVER 2	1	
12	90201-08083	WASHER, Plate	1	
13	90109-06410	BOLT	1	
14	95601-06100	NUT, u	1	
15	98506-05020	SCREW, Pan head	2	
16	92906-05100	WASHER, sPrinE	2	
17	3R8-83973-00	SWITCH, handle 3	1	
18	98506-05022	SCREW, Pan head	2	
19	437-83936-00	BAND, switch cord	2	



D14

FIG. 32 ALTERNATE (CHASSIS)

REF. NO.	PART NO.	DESCRIPTION	Q'TY	REMARKS
1	3R6-22212-10	SPRING	1	UR soft
	3R6-22212-20	SPRING	1	UR hard
2	3R6-23141-10	SPRING, front fork	2	UR soft
	3R6-23141-20	SPRING, front fork	2	UR hard



D15

FIG. 33 REPAIR KIT

REF. NO.	PART NO.	DESCRIPTION	Q'TY	REMARKS
1	3R6-11630-00	PISTON ASSY (STD)	1	
2	3R6-11631-00-96	•PISTON (STD)	1	UR
	3R6-11631-00-97	•PISTON (STD)	1	UR
3	2W6-11601-00	•PISTON RING SET (STD)	1	
4	251-11633-00	•PIN, Piston	1	
5	93450-17025	•CIRCLIP	2	
6	3R6-11630-10	PISTON ASSY (1ST O/S)	1	
7	3R6-11635-00	•PISTON (1ST O/S 0.25MM)	1	
8	2W6-11601-10	•PISTON RING SET (1ST O/S)	1	
9	251-11633-00	•PIN, Piston	1	
10	93450-17025	•CIRCLIP	2	
11	3R6-11630-20	PISTON ASSY (2ND O/S)	1	
12	3R6-11636-00	•PISTON (2ND O/S 0.50MM)	1	
13	2W6-11601-20	•PISTON RING SET (2ND O/S)	1	
14	251-11633-00	•PIN, Piston	1	
15	93450-17025	•CIRCLIP	2	
16	3R6-11630-30	PISTON ASSY (3RD O/S)	1	
17	3R6-11637-00	•PISTON (3RD O/S 0.75MM)	1	
18	2W6-11601-30	•PISTON RING SET (3RD O/S)	1	
19	251-11633-00	•PIN, Piston	1	
20	93450-17025	•CIRCLIP	2	
21	3R6-11630-40	PISTON ASSY (4TH O/S)	1	
22	3R6-11638-00	•PISTON (4TH O/S 1.00MM)	1	
23	2W6-11601-40	•PISTON RING SET (4TH O/S)	1	
24	251-11633-00	•PIN, Piston	1	
25	93450-17025	•CIRCLIP	2	
26	3M5-11650-10	CONNECTING ROD ASSY	1	
27	1G8-11651-00	•ROD, connecting	1	

E2

FIG. 33 REPAIR KIT

REF. NO.	PART NO.	DESCRIPTION	Q'TY	REMARKS
28	3M5-11681-00	•PIN, crank 1	1	
29	90209-22071	•WASHER	2	
30	93310-422G3	•BEARING, cylindrical	1	
31	93310-216E1	•BEARING, cylindrical	1	
32	3R6-W0001-00	GASKET KIT	1	
33	3R6-11181-00	•GASKET, cylinder head 1	1	
34	3R3-11351-00	•GASKET, cylinder	1	
35	483-14184-00	•GASKET, float chamber	1	
36	3R3-13621-00	•GASKET, valve seat	1	
37	3R6-14613-01	•GASKET, exhaust Pipe	1	
38	90430-12038	•GASKET	1	
39	3R3-15451-01	•GASKET, crankcase cover	1	
40	93210-14104	•O-RING	1	
41	90430-06016	•GASKET	1	
42	3R3-15455-00	•GASKET 1	1	
43	93210-20027	•O-RING	1	
44	3R3-W0003-00	OIL SEAL KIT	1	
45	93103-28100	•OIL SEAL	1	
46	93102-25214	•OIL SEAL	1	
47	93101-17062	•OIL SEAL	1	
48	93104-14004	•OIL SEAL	1	
49	93102-26042	•OIL SEAL	1	
50	93101-12060	•OIL SEAL	1	