



YAMAHA

PARTS CATALOGUE

IT125K (3R9)

A2



A3

FOREWORD

This Parts Catalogue is related to the parts in use for the Yamaha IT125K (3R9).
When you are ordering replacement parts for the IT125K (3R9), refer to this Parts Catalogue and quote both part numbers and part names correctly.

1. Modifications or additions which have been made after issue of the Parts Catalogue will be announced in the Yamaha Parts News.
It is advisable that according to the Yamaha Parts News you make necessary corrections to the Parts Catalogue on hand to keep it up-to-date.

2. Abbreviations

The following abbreviations are used in this Parts Catalogue.

- U.R. Use size (thickness) and/or number as required.
- U.N. Use as many as you need.
- A.P. Alternate Parts
- L.M. Local Made
- F# Frame No. (Applicable machine No.)

3. The parts marked with (*) in the parts number column of this Catalogue are not supplied with by Yamaha, those have to be found locally.
4. Parts, which are to be supplied in the form of assemblies, are listed with an indention of one letter's space, and a dot (.) is put against the name of each part.

EXAMPLE CARBURETOR ASS'Y
 . JET, pilot
 . NOZZLE, main

5. Indication of No. of constituent parts for assembly

The numeral appearing to the right of each constituent part under the description indicates the quantity of such parts for each individual assembly unit.

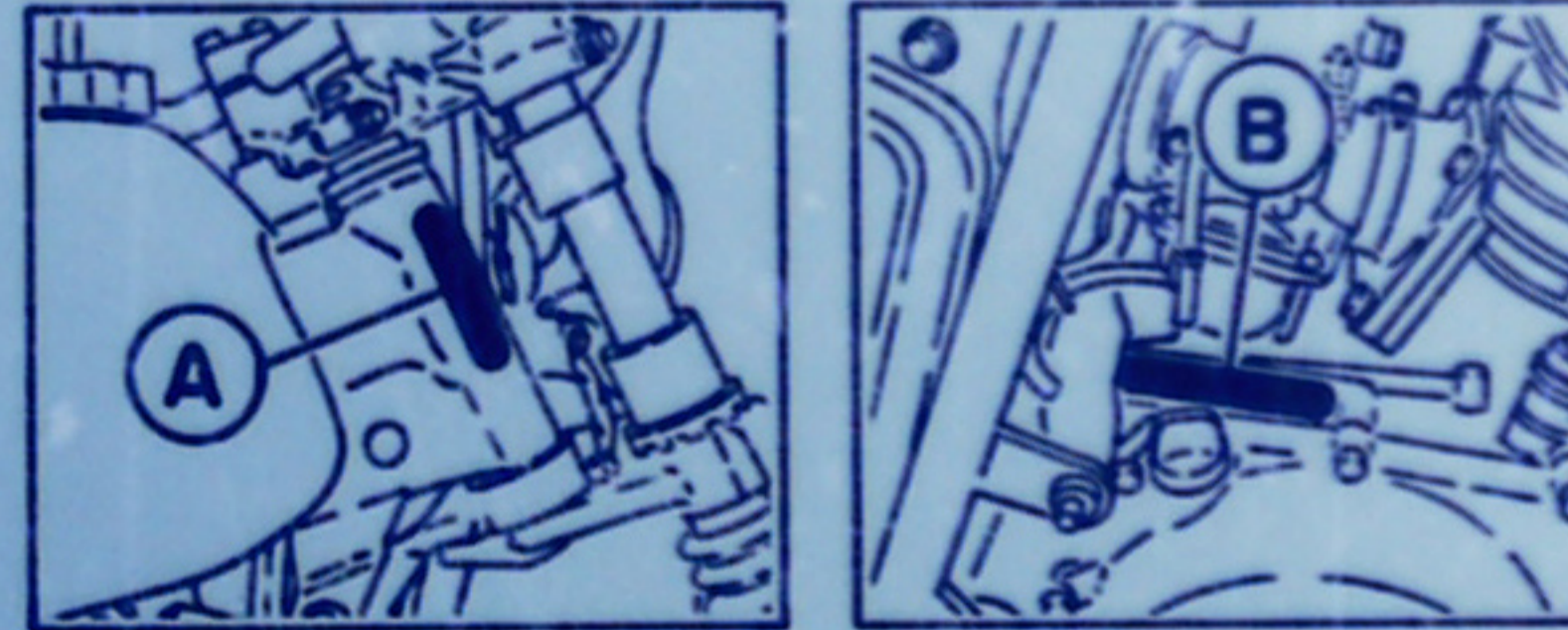
EXAMPLE

Part No.	Description	Q'ty	Remarks
2F5-83310-60	FRONT FLASHER LIGHT ASS'Y	2	
115-83311-60	. BULB (6V-18W)	1	
1M1-83309-60	. REFLECTOR	1	

6. Initial Serial No. and Color Code

(A) Frame Serial No.	3R9-072101 and following
(B) Engine Serial No.	3R9-072101 and following

Lee Waldie Craig Scott Chris Koira



Color Code	Color Name	Abbreviate
	Sky Blue	

7. Applicable colors of graphics are represented in the "Remarks" column by the letter(s) appropriately picked out of the full word(s) showing such colors.

EXAMPLE

Part No.	Description	Q'ty	Remarks
2N4-24110-00-X5	FUEL TANK COMP.	1	MAXIM RED
3J1-24240-10	. GRAPHIC, fuel tank set	1	for MXR

CONTENTS

ENGINE

Cylinder	B2
Crankshaft - Piston	B3 ~ B4
C.D.I. Magneto	B5
Intake	B6
Carburetor	B7 ~ B8
Exhaust	B9
Crankcase	B10
Crankcase Cover	B11
Kick Starter	B12
Clutch	B13
Transmission	B14 ~ B15
Shift Cam - Fork	C2
Shift Shaft - Pedal	C3

CHASSIS

Frame	C4
Front Fender - Rear Fender	C5
Side Cover	C6
Rear Arm	C7
Rear Suspension	C8
Steering	C9
Front Fork	C10 ~ C11
Fuel Tank	C12
Seat - Carrier	C13
Front Wheel	C14 ~ C15
Rear Wheel	D2 ~ D3
Handlebar - Cable	D4 ~ D5
Stand - Footrest	D6
Speedometer	D7

Headlight	D8
Taillight	D9
Electrical 1	D10
Handle Switch - Lever	D11

REPAIR KIT

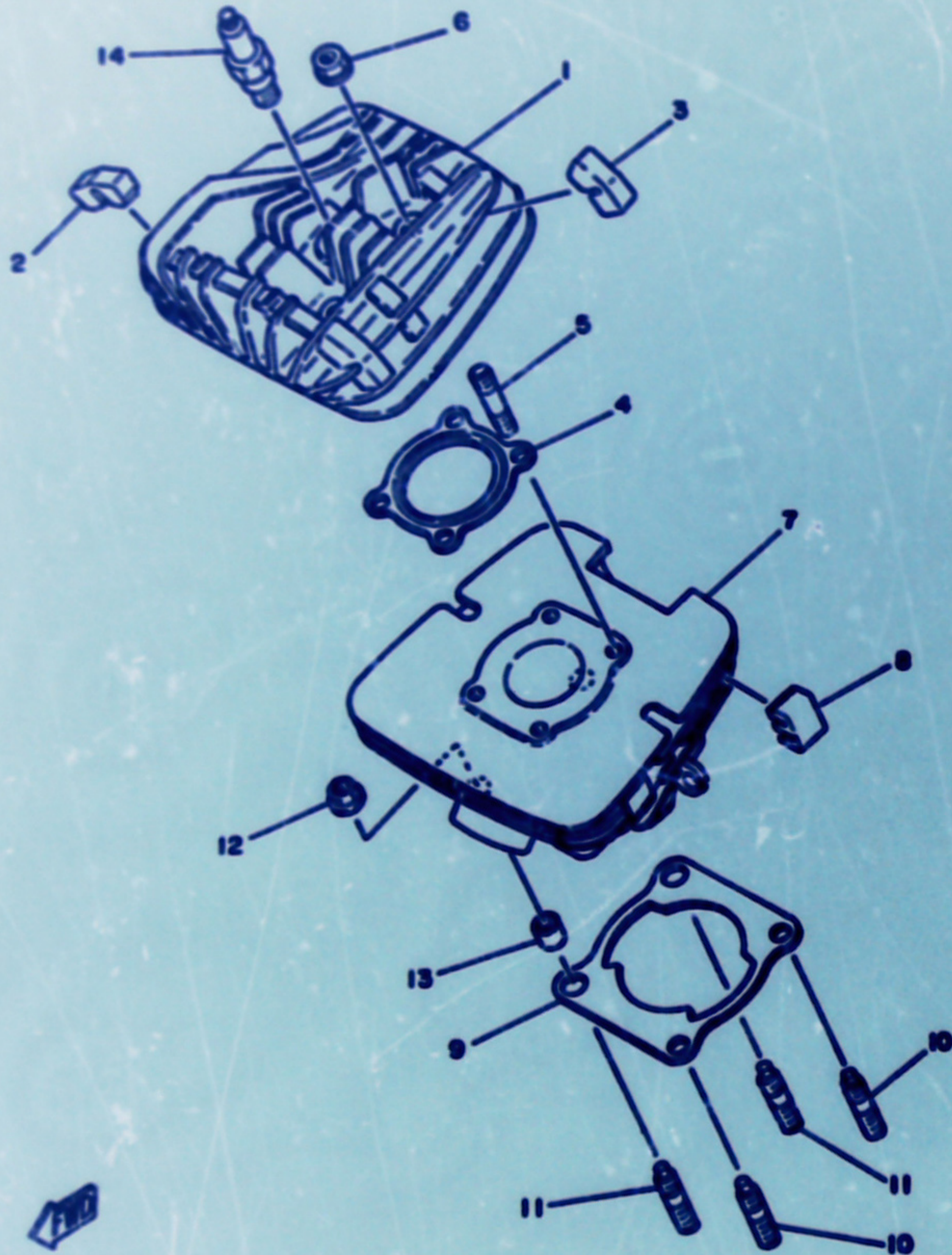
Repair Kit	D12 ~ D13
------------------	-----------

INDEX

Numerical Index	M1 ~ M3
Parts Name Index	M11 ~ M16

FIG. 1 CYLINDER

REF. NO.	PART NO.	DESCRIPTION	Q'TY	REMARKS
1	3R9-11111-00	HEAD, cylinder 1	1	
2	1W2-11161-00	ABSORBER 1	2	
3	1W2-11127-00	ABSORBER 3	1	
4	2X3-11181-00	GASKET, cylinder head 1	1	
5	90116-08394	BOLT, stud	4	
6	90179-08299	NUT	4	
7	3R9-11311-00	CYLINDER 1	1	
8	3R9-11162-00	ABSORBER 2	5	
9	1W1-11351-00	GASKET, cylinder	1	
10	90116-10278	BOLT, stud	2	
11	90116-10279	BOLT, stud	2	
12	90179-10272	NUT	4	
13	91830-24016	PIN, dowel	2	
14	•	PLUG, sPark (CHAMPION N2G)	1	LM

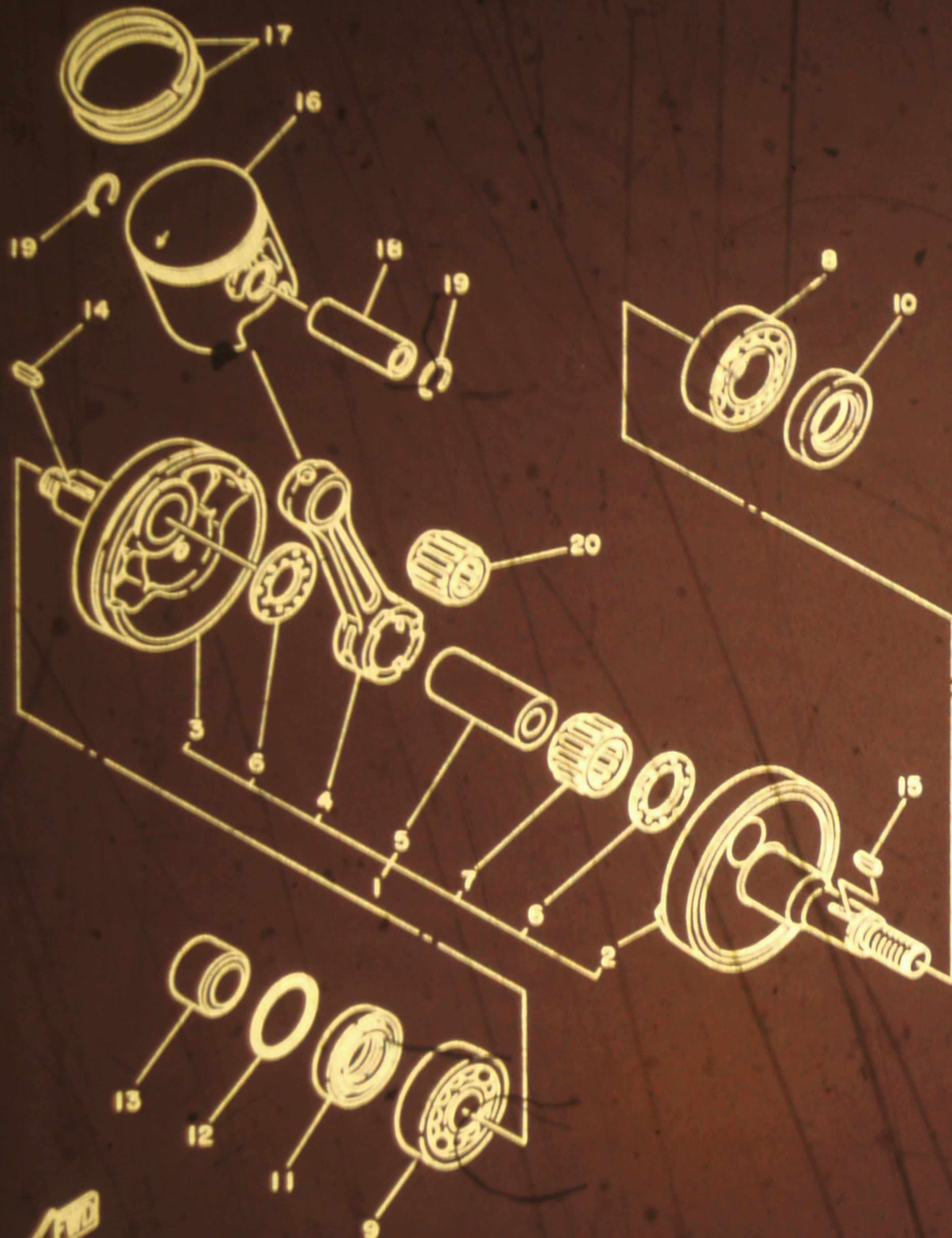


 3R9100-3010

B2

FIG. 2 CRANKSHAFT-PISTON

REF. NO.	PART NO.	DESCRIPTION	Q'TY	REMARKS
1	3R9-11400-00	CRANKSHAFT ASSY	1	
2	1W1-11412-01	•CRANK 1	1	
3	1W1-11422-01	•CRANK 2	1	
4	3R2-11651-00	•ROD, connecting	1	
5	3M5-11681-00	•PIN, crank 1	1	
6	90209-22071	•WASHER	2	
7	93310-422H0	•BEARING, cylindrical	1	
8	93306-20529	BEARING (B6205C4)	1	
9	93306-30406	BEARING (B6304C3)	1	
10	93102-25144	OIL SEAL	1	
11	93103-28126	OIL SEAL	1	
12	93210-18023	O-RING	1	
13	90387-20488	COLLAR	1	
14	90282-05005	KEY, straight	1	
15	90280-03017	KEY, woodruff	1	
16	3R9-11631-00-96	PISTON (STD)	1	UR
	3R9-11631-00-97	PISTON (STD)	1	UR
	3R9-11635-00	PISTON (1ST O/S 0.25MM)	1	AP
	3R9-11636-00	PISTON (2ND O/S 0.50MM)	1	AP
	3R9-11637-00	PISTON (3RD O/S 0.75MM)	1	AP
	3R9-11638-00	PISTON (4TH O/S 1.00MM)	1	AP
17	3R9-11610-00	PISTON RING SET (STD)	1	
	3R9-11610-10	PISTON RING SET (1ST O/S)	1	AP
	3R9-11610-20	PISTON RING SET (2ND O/S)	1	AP
	3R9-11610-30	PISTON RING SET (3RD O/S)	1	AP
	3R9-11610-40	PISTON RING SET (4TH O/S)	1	AP
18	137-11633-00	PIN, Piston	1	
19	93450-17044	CIRCLIP	2	

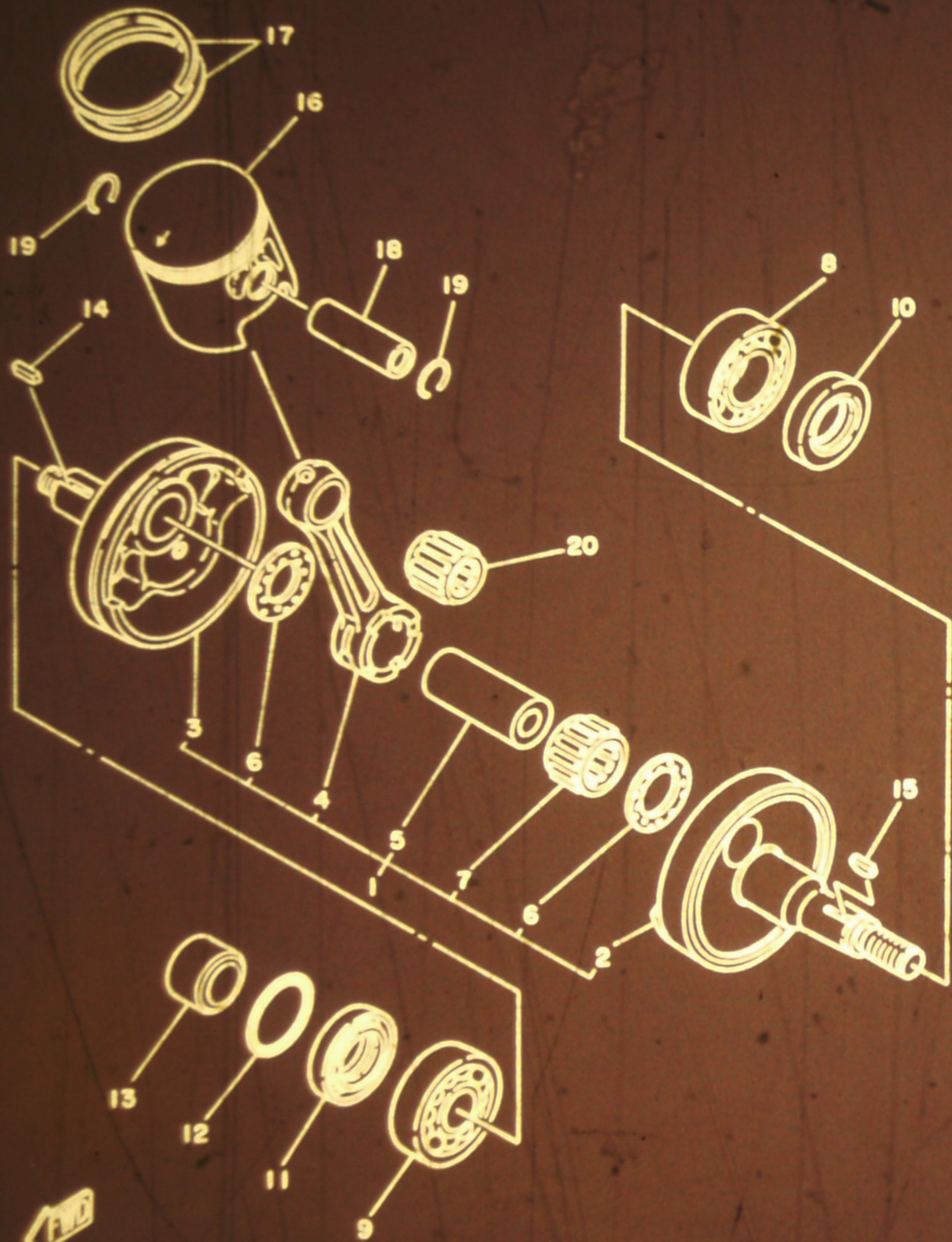


FWB
3R9100-3020

B3

FIG. 2 CRANKSHAFT-PISTON

REF. NO.	PART NO.	DESCRIPTION	Q'TY	REMARKS
20	93310-216J2	BEARING, cylindrical	1	

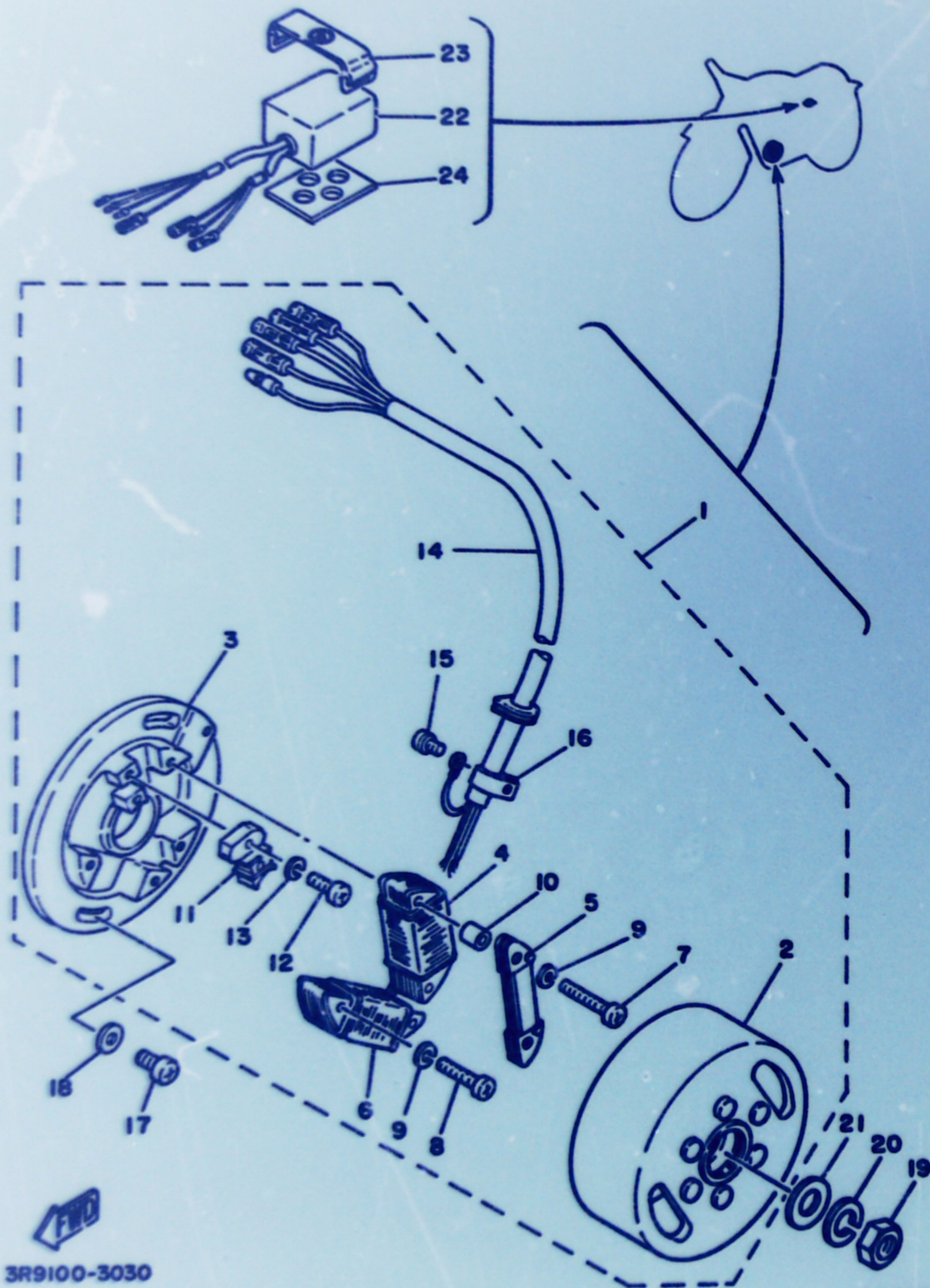


3R9100-3020

B4

FIG. 3 C.D.I MAGNETO

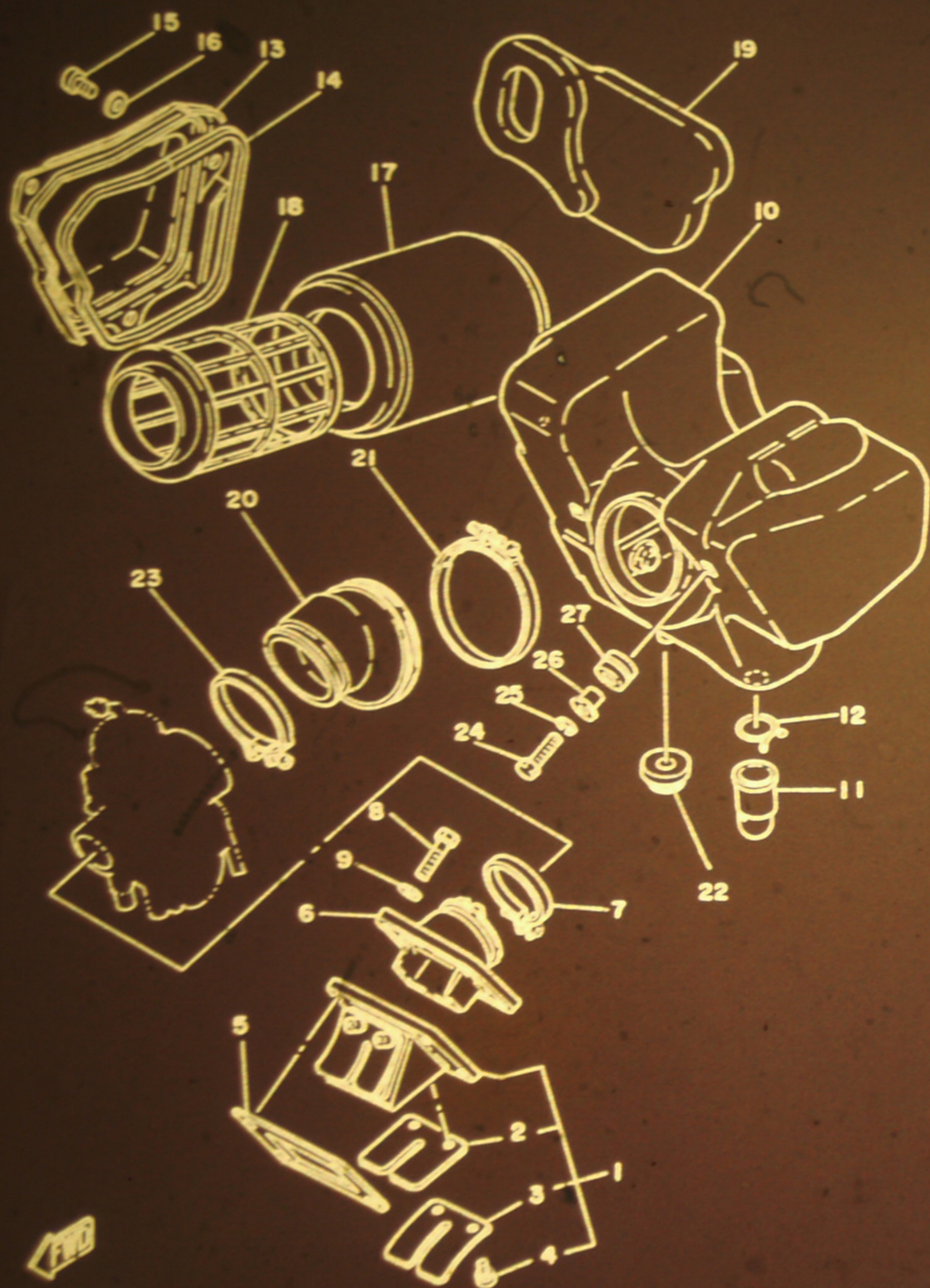
REF. NO.	PART NO.	DESCRIPTION	Q'TY	REMARKS
1	2W6-85500-20	C.D.I. MAGNETO ASSY	1	
2	1W2-85550-20	•ROTOR ASSY	1	
3	1W2-85509-20	•BASE, magneto	1	
4	2W6-85511-20	•COIL, source	1	
5	2W6-85512-20	•COIL, source	1	
6	1W2-85513-20	•COIL, lighting 1	1	
7	98501-04035	•SCREW, Pan head	2	
8	98501-04030	•SCREW, Pan head	2	
9	92901-04100	•WASHER, sPring	4	
10	1W2-85516-20	•SPACER	2	
11	2W6-85580-20	•COIL, Pulser	1	
12	98501-04014	•SCREW, Pan head	2	
13	92901-04100	•WASHER, sPring	2	
14	2W6-85515-20	•LEAD WIRE ASSY	1	
15	110-81345-21	•SCREW, Pan head	1	
16	445-81328-20	•CLAMP	1	
17	92501-06015	SCREW, Pan head	2	
18	92901-06600	WASHER, Plate	2	
19	90170-12067	NUT	1	
20	92901-12100	WASHER, sPring	1	
21	90201-12593	WASHER, Plate	1	
22	2W6-85540-20	C.D.I. UNIT ASSY	1	
23	288-21376-00	BAND, tool	1	
24	2K7-85547-00	DAMPER	1	



3R9100-3030

B5

FIG. 4 INTAKE



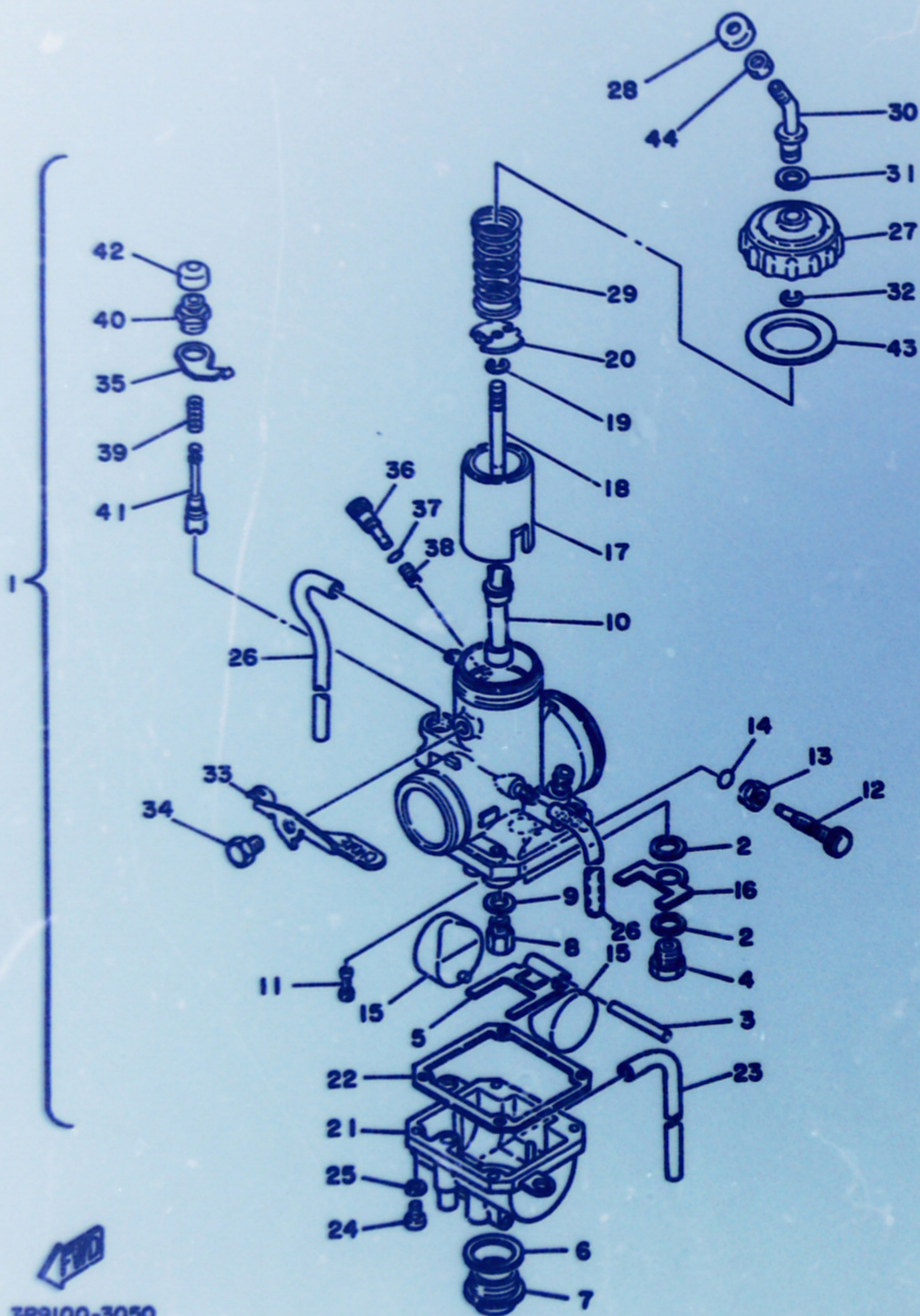
REF. NO.	PART NO.	DESCRIPTION	Q'TY	REMARKS
1	1L8-13610-00	REED VALVE ASSY	1	
2	1L8-13613-00	•REED, valve	2	
3	311-13616-01	•STOPPER, reed valve	2	
4	97602-03108	•SCREW, Pan head with washer	4	
5	10V-13621-00	GASKET, valve seat	1	
6	537-13565-01	JOINT, carburetor	1	
7	90460-43053	CLAMP, hose	1	
8	97301-06025	BOLT	4	
9	92901-06600	WASHER, Plate	4	
10	3R9-14401-00	AIR CLEANER CASE ASSY	1	
11	1W4-14457-00	SEAL	1	
12	90467-20030	CLIP	1	
13	3R9-14412-00	CAP, cleaner case 1	1	
14	3R9-14452-00	SEAL	1	
15	92501-06012	SCREW, Pan head	3	
16	92901-06600	WASHER, Plate	3	
17	3R9-14451-00	ELEMENT, air cleaner	1	
18	3R9-14458-00	GUIDE	1	
19	3R9-14468-00	PLATE, element fitting	1	
20	3R9-14453-00	JOINT, air cleaner 1	1	
21	90460-75020	CLAMP, hose	1	
22	90480-18171	GROMMET	1	
23	90460-54125	CLAMP, hose	1	
24	97301-06020	BOLT	2	
25	92901-06100	WASHER, spring	2	
26	90387-07391	COLLAR	2	
27	90480-14102	GROMMET	2	

3R9100-3040

B6

FIG. 5 CARBURETOR

REF. NO.	PART NO.	DESCRIPTION	Q'TY	REMARKS
1	3R9-14101-00	CARBURETOR ASSY 1	1	
2	214-14195-00	•WASHER, needle valve	2	
3	537-14186-00	•PIN, float	1	
4	168-14190-28	•NEEDLE VALVE ASSY	1	
5	2K5-14187-00	•ARM, float	1	
6	278-14117-00	•WASHER, Plug screw	1	
7	537-14115-00	•PLUG, screw	1	
8	137-14143-40	•JET, main (#200)	1	UR STD
	137-14143-38	•JET, main (#190)	1	UR
	137-14143-42	•JET, main (#210)	1	UR
9	537-14153-00	•WASHER, main Jet	1	
10	278-14141-52	•NOZZLE, main	1	
11	193-14142-40	•JET, Pilot (#40.0)	1	
12	537-14122-00	•SCREW, throttle	1	
13	537-14161-00	•NUT, throttle screw	1	
14	214-14147-00	•O-RING	1	
15	280-14185-00	•FLOAT	2	
16	537-14146-00	•PLATE	1	
17	537-14112-20	•VALVE, throttle 1	1	
18	1J4-14116-19	•NEEDLE	1	
19	164-14137-00	•CLIP	1	
20	537-14136-00	•SEAT, sPrin8	1	
21	537-14181-16	•BODY, float chamber 1	1	
22	537-14184-00	•GASKET, float chamber	1	
23	183-14197-01	•PIPE	1	
24	98501-04016	•SCREW, Pan head	4	
25	92902-04100	•WASHER, sPrin8	4	
26	310-14196-00	•PIPE	2	

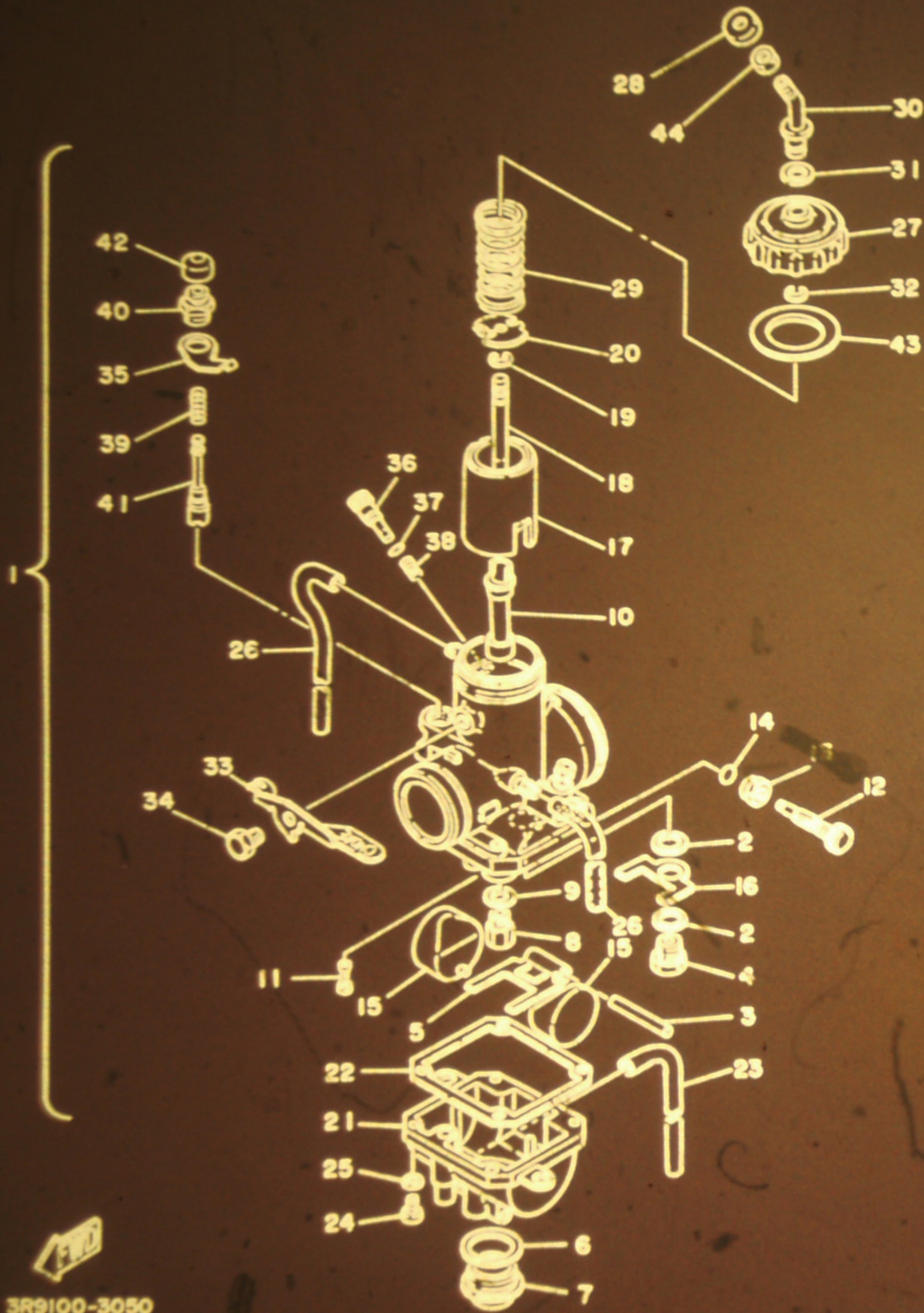


3R9100-3050

B7

FIG. 5 CARBURETOR

REF. NO.	PART NO.	DESCRIPTION	Q'TY	REMARKS
27	2K5-14158-00	•TOP, mixing chamber	1	
28	1M1-14169-00	•CAP	1	
29	537-14131-00	•SPRING, throttle valve	1	
30	2K5-14155-00	•HOLDER, Guide	1	
31	363-14198-00	•GASKET	1	
32	363-14137-00	•CLIP	1	
33	537-14175-00	•LEVER, starter 1	1	
34	537-14162-00	•BOLT, starter lever	1	
35	537-14178-00	•PLATE, starter lever	1	
36	525-14123-00	•SCREW, air adjusting	1	
37	354-14147-00	•O-RING	1	
38	174-14134-00	•SPRING, air adjusting	1	
39	500-14135-00	•SPRING, Plunger	1	
40	802-14174-00	•CAP, Plunger	1	
41	174-14171-00	•PLUNGER, starter	1	
42	802-14173-00	•COVER, Plunger cap	1	
43	2K5-14198-00	•GASKET	1	
44	127-14161-00	•NUT, cable adjusting	1	

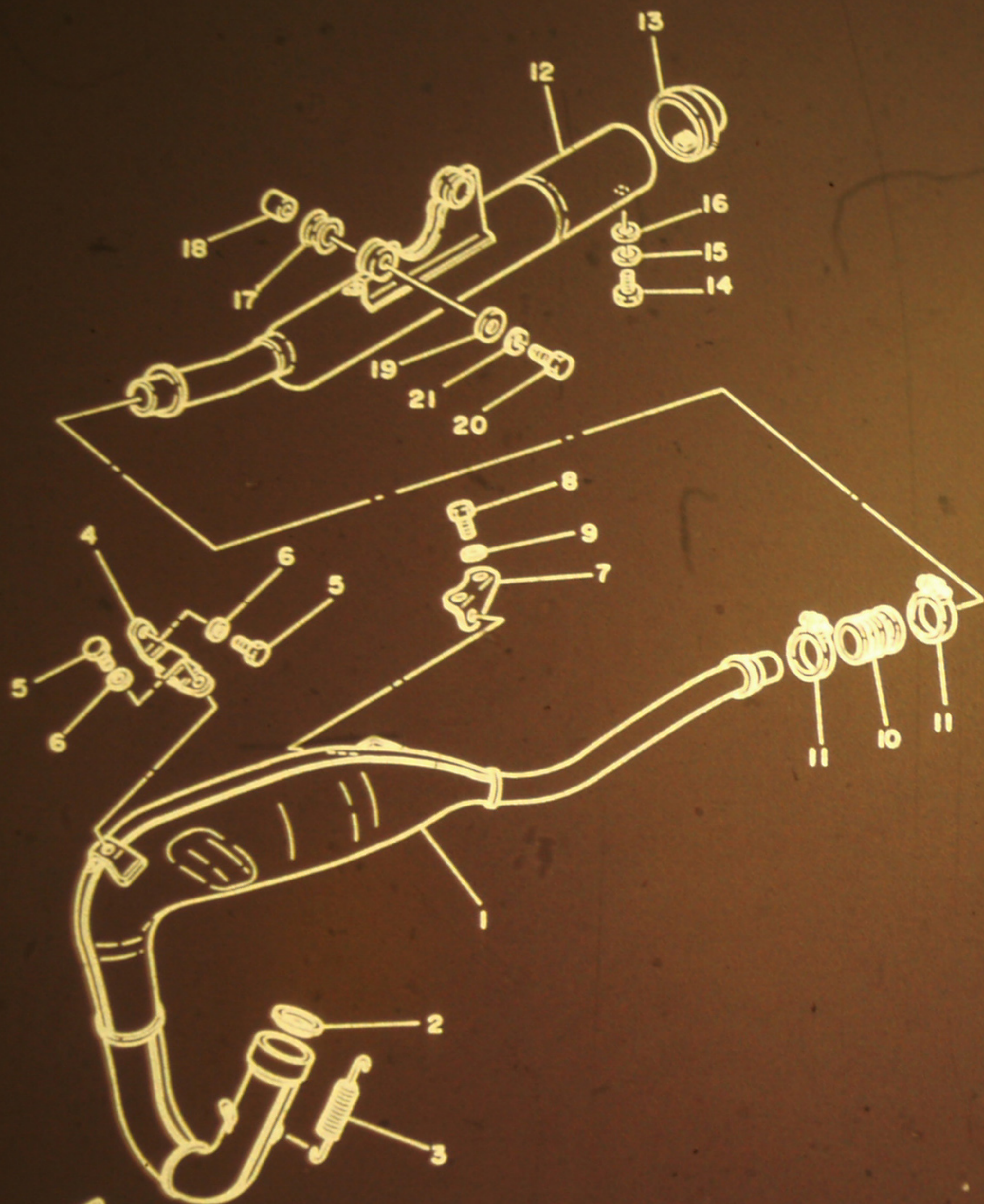


3R9100-3050

B8

FIG. 6 EXHAUST

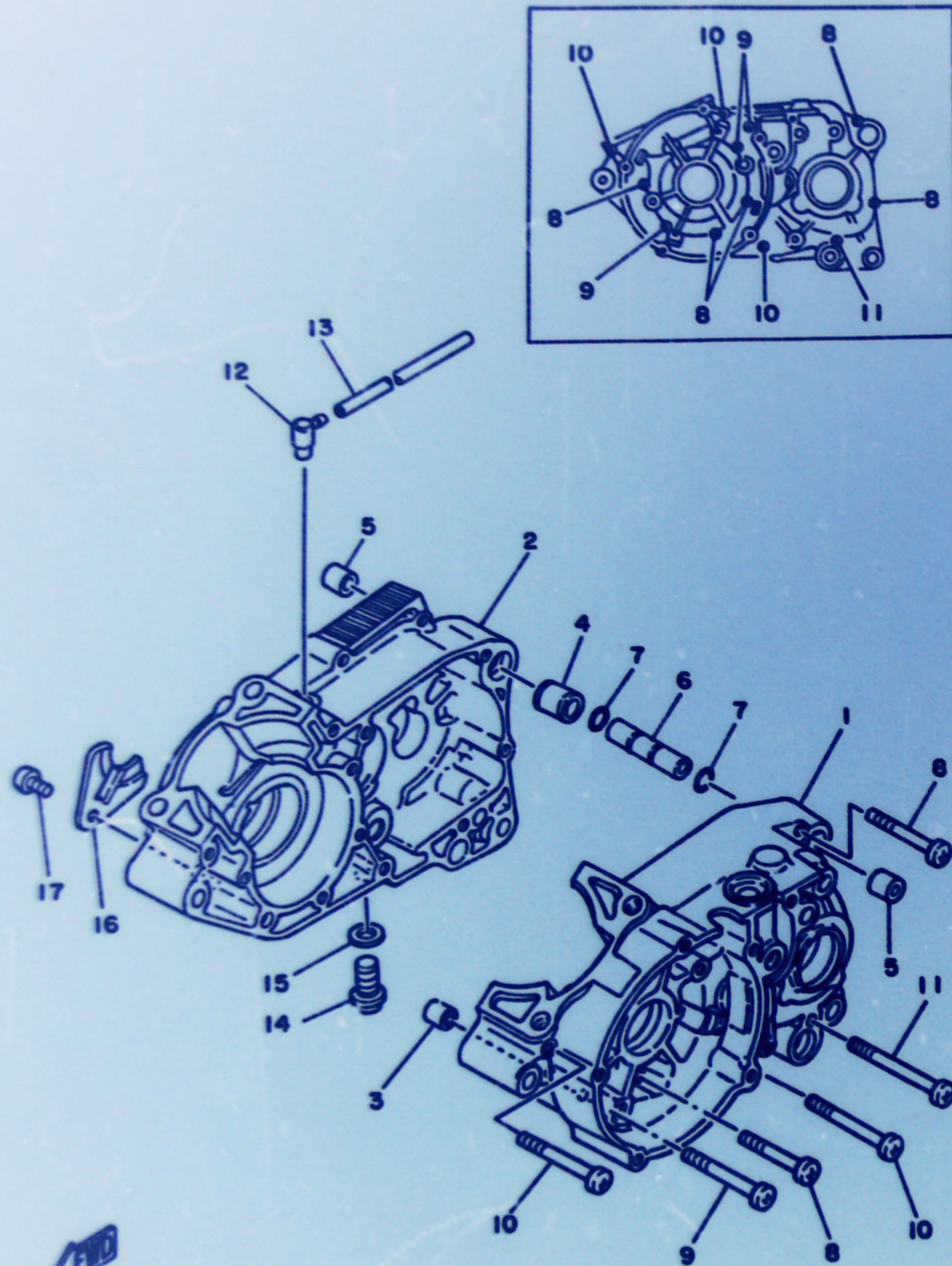
REF. NO.	PART NO.	DESCRIPTION	Q'TY	REMARKS
1	3R9-14610-00	EXHAUST PIPE ASSY 1	1	
2	3R3-14613-00	GASKET, exhaust Pipe	1	
3	90507-20030	SPRING, tension	2	
4	1M1-14772-00	STAY, muffler 2	1	
5	97301-06012	BOLT	2	
6	92901-06600	WASHER, Plate	2	
7	565-14771-00	STAY, muffler 1	1	
8	97301-06012	BOLT	2	
9	92901-06600	WASHER, Plate	2	
10	1W2-14714-00	GASKET, muffler	1	
11	90460-37026	CLAMP, hose	2	
12	3R9-14753-10	SILENCER, exhaust	1	
13	1W2-14787-00	CAP, silencer	1	
14	97301-06012	BOLT	1	
15	92901-06100	WASHER, sPrinG	1	
16	92901-06600	WASHER, Plate	1	
17	90480-22269	GROMMET	2	
18	90387-081A3	COLLAR	2	
19	90201-08114	WASHER, Plate	2	
20	97301-08030	BOLT	2	
21	92901-08100	WASHER, sPrinG	2	



FWD
3R9100-3060

B9

FIG. 7 CRANKCASE



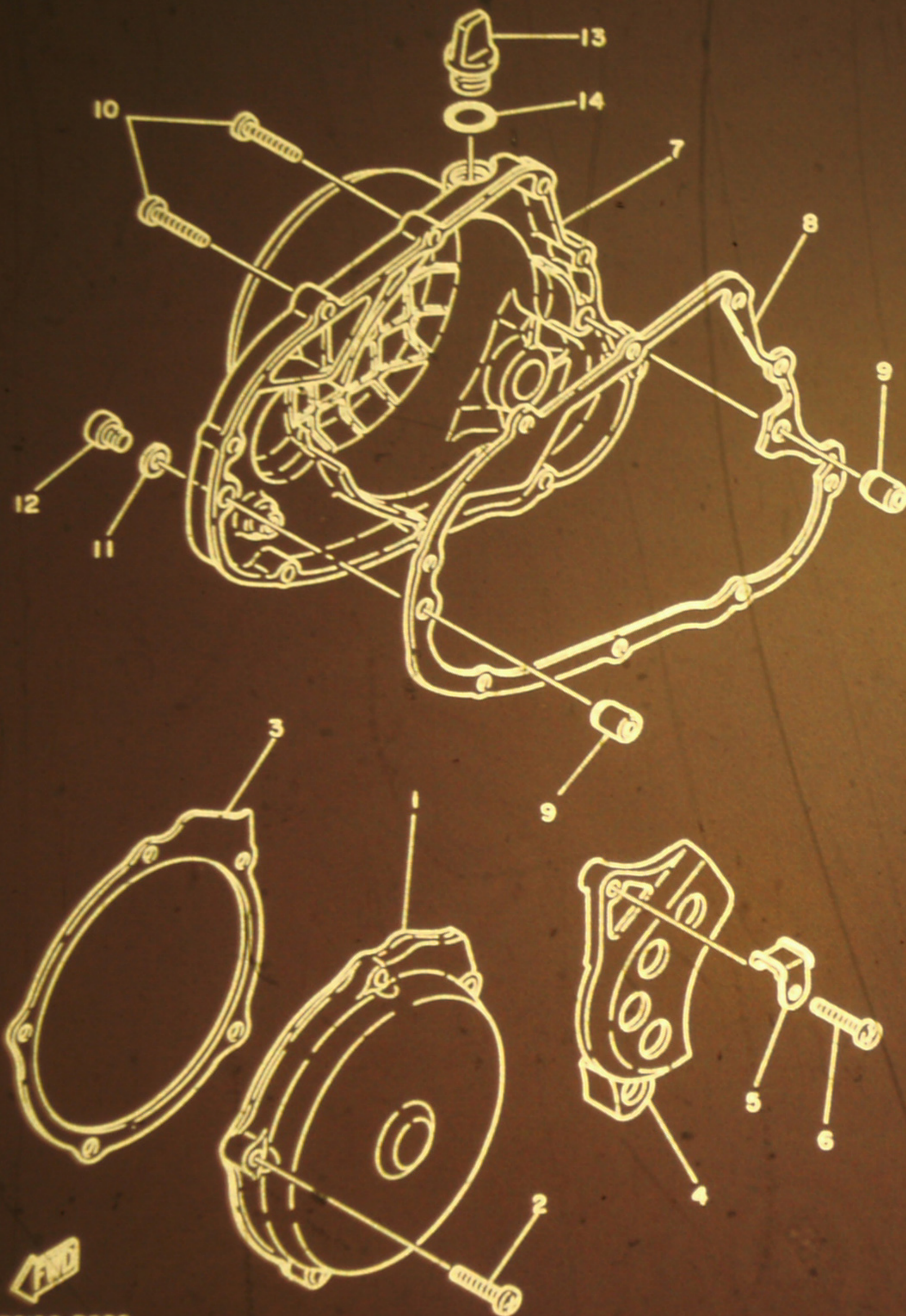
REF. NO.	PART NO.	DESCRIPTION	Q'TY	REMARKS
1	1W1-15111-02	CRANKCASE 1	1	
2	1W1-15121-02	CRANKCASE 2	1	
3	91830-21014	PIN, dowel	1	
4	91810-19020	PIN, dowel	1	
5	5V7-21486-01	DAMPER 2	2	
6	401-15317-00	SPACER, engine mount	1	
7	93210-11073	O-RING	2	
8	92506-06050	SCREW, Pan head	5	
9	92506-06060	SCREW, Pan head	3	
10	92506-06070	SCREW, Pan head	3	
11	92506-06075	SCREW, Pan head	1	
12	2N4-15371-00	BREATHER	1	
13	90445-07340	HOSE	1	
14	90340-12005	PLUG, straight screw	1	
15	90430-12038	GASKET	1	
16	304-15128-00	HOLDER	1	
17	92501-08010	SCREW, Pan head	1	

3R9100-3070

B10

FIG. 8 CRANKCASE COVER

REF. NO.	PART NO.	DESCRIPTION	Q'TY	REMARKS
1	1W1-15411-00	COVER, crankcase 1	1	
2	92506-06025	SCREW, Pan head	5	
3	1W1-15455-00	GASKET, crankcase cover	1	
4	2W5-15421-00	COVER, crankcase 2	1	
5	2A6-15484-01	CLAMP 2	1	
6	92506-06025	SCREW, Pan head	1	
7	1W1-15431-00	COVER, crankcase 3	1	
8	1W1-15451-00	GASKET, crankcase cover	1	
9	91830-21014	PIN, dowel	2	
10	92506-06030	SCREW, Pan head	9	
11	90430-06016	GASKET	1	
12	92506-06008	SCREW, Pan head	1	
13	1G8-15362-00	PLUG, oil level	1	
14	93210-14104	O-RING	1	

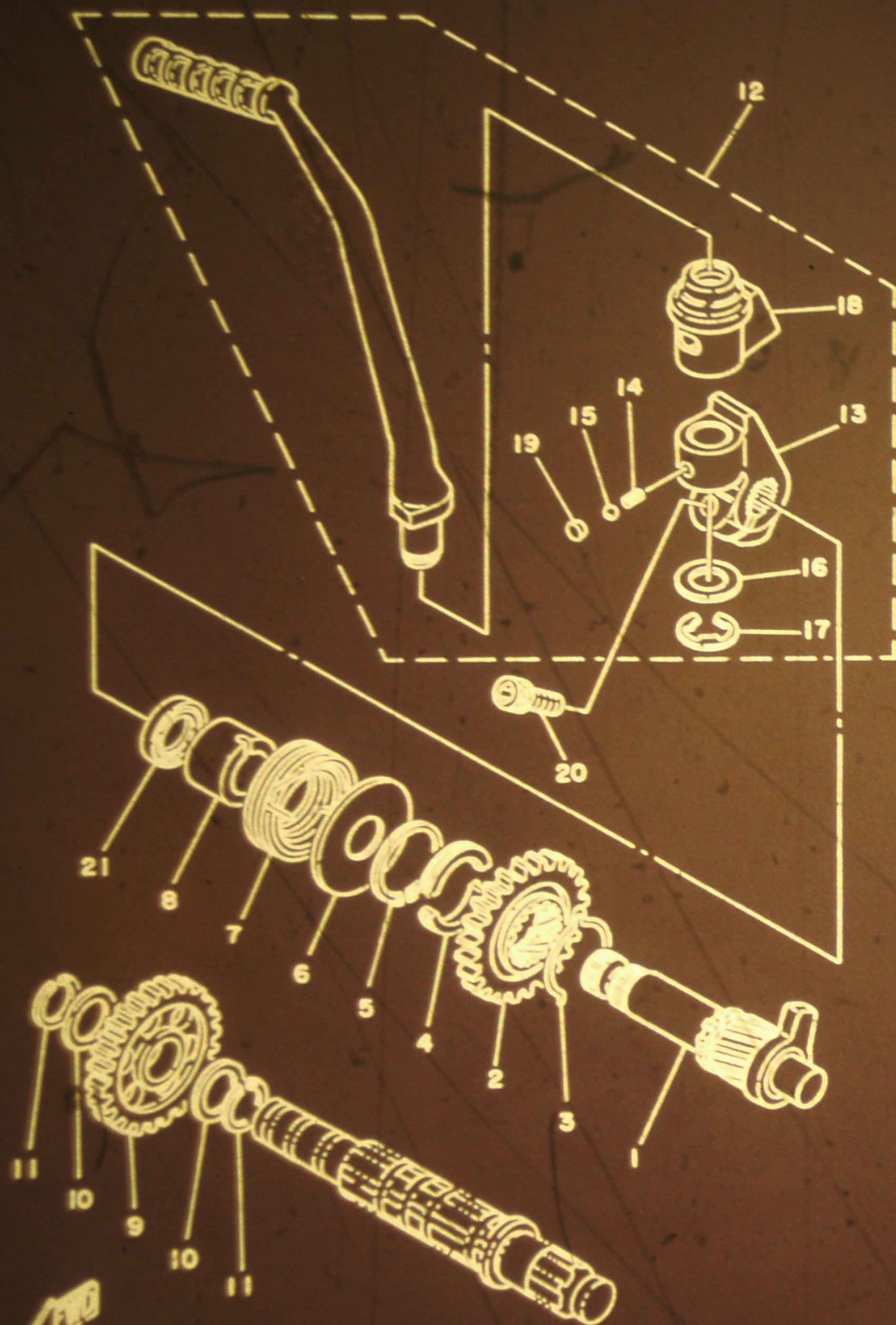


3R9100-3080

B11

FIG. 9 KICK STARTER

REF. NO.	PART NO.	DESCRIPTION	Q'TY	REMARKS
1	2A6-15660-00	KICK AXLE ASSY	1	
2	1W1-15641-00	GEAR, kick (27T)	1	
3	90468-26048	CLIP	1	
4	248-15654-00	HOLDER, kick gear	2	
5	93410-30012	CIRCLIP	1	
6	401-15676-00	COVER, spring	1	
7	90508-26346	SPRING, torsion	1	
8	1W1-15666-00	SPACER	1	
9	525-15651-00	GEAR, kick idle (25T)	1	
10	137-17417-00-05	SHIM (0.5T)	2	UN
11	93440-15012	CIRCLIP	2	
12	1W1-15620-01	KICK CRANK ASSY	1	
13	1W1-15621-01	•BOSS, kick crank	1	
14	90501-10459	•SPRING, compression	1	
15	93503-16010	•BALL	1	
16	90201-12541	•WASHER, Plate	1	
17	93430-08007	•CIRCLIP	1	
18	1W1-15618-01	•COVER, kick lever	1	
19	90336-06030	•PLUG, taper	1	
20	91316-08025	BOLT	1	
21	93101-17062	OIL SEAL	1	

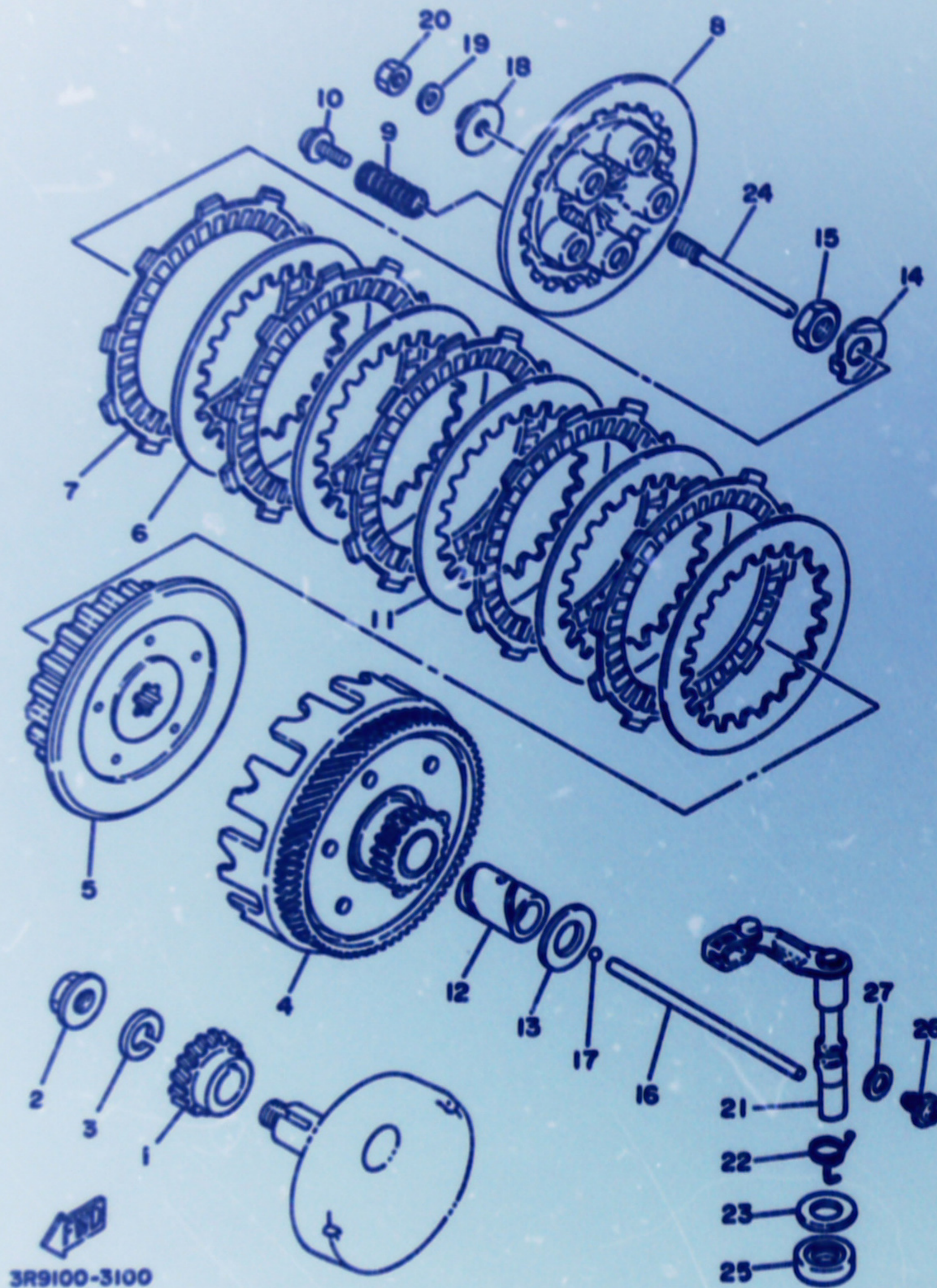


3R9100-3090

B12

FIG. 10 CLUTCH

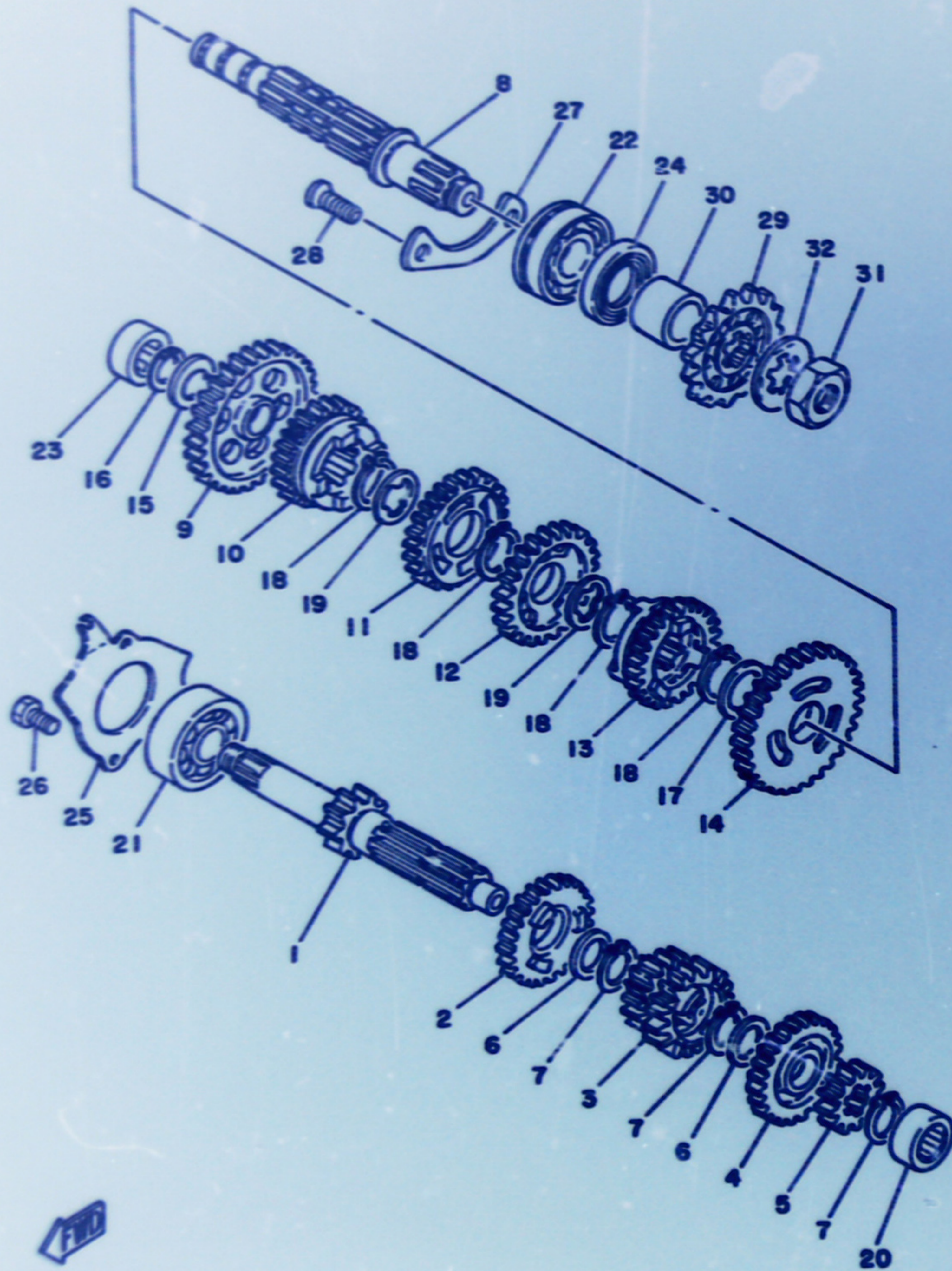
REF. NO.	PART NO.	DESCRIPTION	Q'TY	REMARKS
1	1W1-16111-00	GEAR, Primary drive (22T)	1	
2	90179-12244	NUT	1	
3	90204-12007	WASHER, sPrinG	1	
4	1W1-16150-01	PRIMARY DRIVEN GEAR COMP.(171T)	1	
5	1G8-16371-00	BOSS, clutch	1	
6	137-16325-00	PLATE, clutch 2	4	
7	537-16321-00	PLATE, friction	5	
8	1W1-16351-00	PLATE, Pressure 1	1	
9	90501-20122	SPRING, comPression	5	
10	90159-05011	SCREW, with washer	5	
11	137-16325-70	PLATE, clutch 2	1	
12	90560-17147	SPACER	1	
13	90201-17550	WASHER, Plate	2	
14	90215-14204	WASHER, lock	1	
15	90170-14171	NUT	1	
16	2X3-16357-00	ROD, Push 2	1	
17	93503-16010	BALL	1	
18	1W1-16358-00	PLATE, Push	1	
19	92901-06200	WASHER, Plain	1	
20	95301-06600	NUT	1	
21	2X3-16380-00	PUSH LEVER ASSY	1	
22	90508-20345	SPRING, torsion	1	
23	90201-14217	WASHER, Plate	1	
24	1W1-16356-01	ROD, Push 1	1	
25	93104-14004	OIL SEAL	1	
26	90149-08108	SCREW	1	
27	90430-08069	GASKET	1	



3R9100-3100

B13

FIG. 11 TRANSMISSION



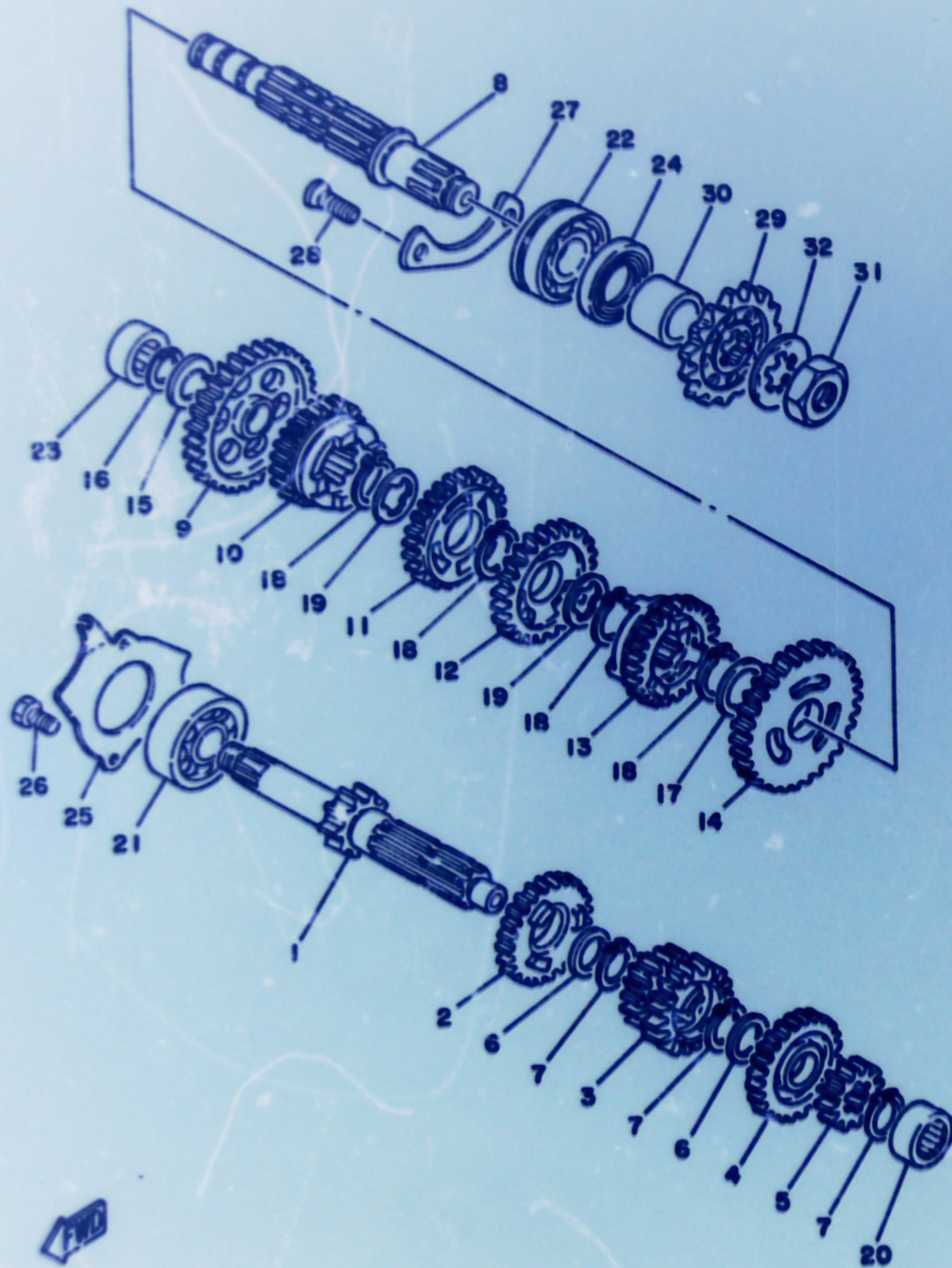
REF. NO.	PART NO.	DESCRIPTION	Q'TY	REMARKS
1	1W2-17411-00	AXLE, main (11T)	1	
2	1W2-17151-00	GEAR, 5th Pinion (23T)	1	
3	2W6-17131-01	GEAR, 3rd/4th Pinion (18T/21T)	1	
4	1W2-17161-00	GEAR, 6th Pinion (25T)	1	
5	1W2-17121-00	GEAR, 2nd Pinion (15T)	1	
6	90201-20266	WASHER, Plate	2	
7	93410-20038	CIRCLIP	3	
8	1W1-17421-00	AXLE, drive	1	
9	1W2-17211-01	GEAR, 1st wheel (34T)	1	
10	2W6-17251-01	GEAR, 5th wheel (23T)	1	
11	2W6-17231-01	GEAR, 3rd wheel (27T)	1	
12	1W2-17241-00	GEAR, 4th wheel (25T)	1	
13	1W2-17261-00	GEAR, 6th wheel (21T)	1	
14	1W2-17221-01	GEAR, 2nd wheel (31T)	1	
15	90201-15701	WASHER, Plate (1.0T)	1	
16	93440-15012	CIRCLIP	1	
17	90201-22555	WASHER, Plate	1	
18	93410-22039	CIRCLIP	4	
19	90209-18135	WASHER	2	
20	93311-41530	BEARING, cylindrical	1	
21	93306-30303	BEARING (B6303Z)	1	
22	93306-30411	BEARING (B6304)	1	
23	93311-31515	BEARING, cylindrical	1	
24	93102-26042	OIL SEAL	1	
25	1W1-17471-01	PLATE, cover	1	
26	97321-06012	BOLT	2	
27	1W1-15381-00	PLATE, bearing cover	1	
28	92701-06012	SCREW, flat head	2	

FWD
3R9100-3110

B14

FIG. 11 TRANSMISSION

REF. NO.	PART NO.	DESCRIPTION	Q'TY	REMARKS
29	1G8-17461-20	SPROCKET, drive (12T)	1	STD
	1G8-17461-10	SPROCKET, drive (11T)	1	UR
	1G8-17461-30	SPROCKET, drive (13T)	1	UR
30	90387-202A0	COLLAR	1	
31	90179-16226	NUT	1	
32	90215-16127	WASHER, lock	1	

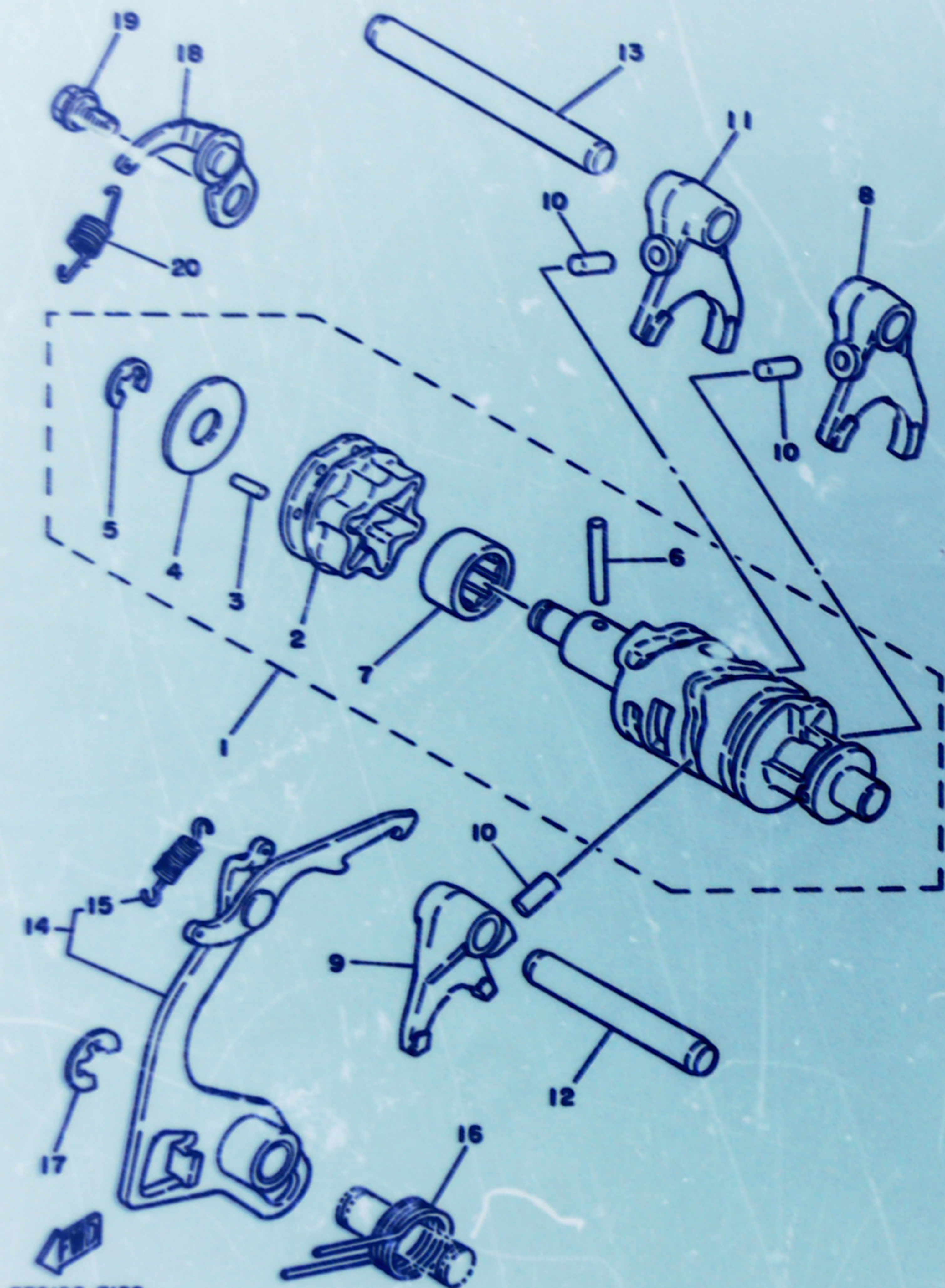


 3R9100-3110

B15

FIG. 12 SHIFT CAM-FORK

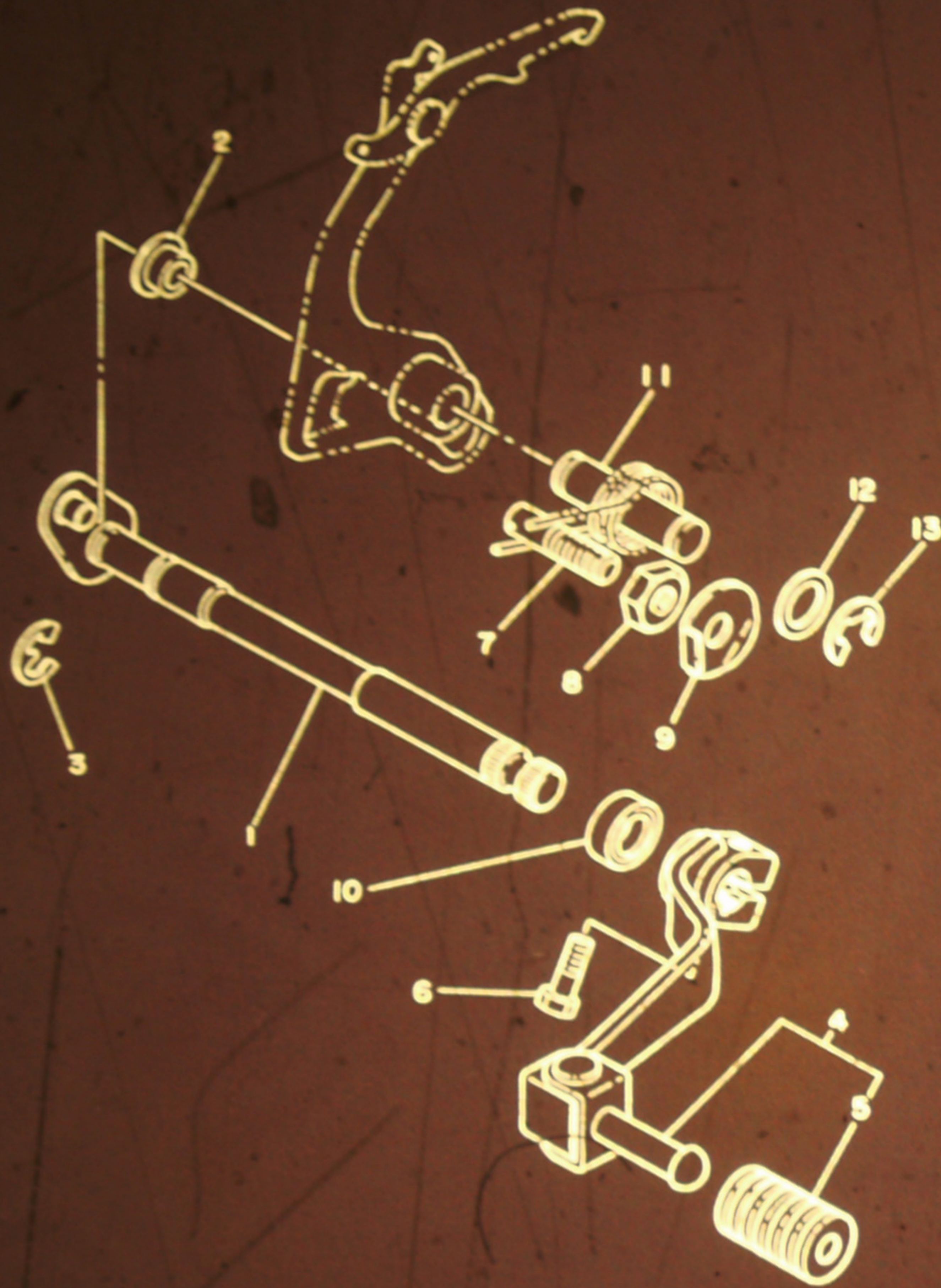
REF. NO.	PART NO.	DESCRIPTION	Q'TY	REMARKS
1	2W6-18540-00	SHIFT CAM ASSY	1	
2	1W1-18185-00	•SEGMENT	1	
3	93604-12037	•PIN, dowel	6	
4	1W1-18561-00	•PLATE, side 1	1	
5	93430-08006	•CIRCLIP	1	
6	93604-30018	•PIN, dowel	1	
7	93315-21813	•BEARING, cylindrical	1	
8	2W6-18511-00	FORK, shift 1	1	
9	2W6-18512-00	FORK, shift 2	1	
10	90250-06013	PIN, straight	3	
11	2W6-18513-00	FORK, shift 3	1	
12	2A6-18531-00	BAR, shift fork Guide 1	1	
13	2A6-18535-00	BAR, shift fork Guide 2	1	
14	2A6-18120-01	SHIFT LEVER ASSY	1	
15	90506-08155	•SPRING, tension	1	
16	90508-32349	SPRING, torsion	1	
17	93430-10016	CIRCLIP	1	
18	1W1-18140-00	STOPPER LEVER ASSY	1	
19	1W1-18177-00	BOLT, stopper	1	
20	90506-09156	SPRING, tension	1	



3R9100-3120

C2

FIG. 13 SHIFT SHAFT-PEDAL



REF. NO.	PART NO.	DESCRIPTION	Q'TY	REMARKS
1	4F2-18101-00	SHIFT SHAFT ASSY	1	
2	401-18178-00	ROLLER, shift lever	1	
3	93430-10016	CIRCLIP	1	
4	3R9-18110-00	SHIFT PEDAL ASSY	1	
5	1W6-18113-00	COVER, shift Pedal	1	
6	97321-08020	BOLT	1	
7	90149-08111	SCREW	1	
8	90170-08029	NUT	1	
9	90215-08014	WASHER, lock	1	
10	93101-12060	OIL SEAL	1	
11	1W1-18197-01	SHAFT	1	
12	102-18137-00-10	WASHER 1	1	
13	93430-10016	CIRCLIP	1	

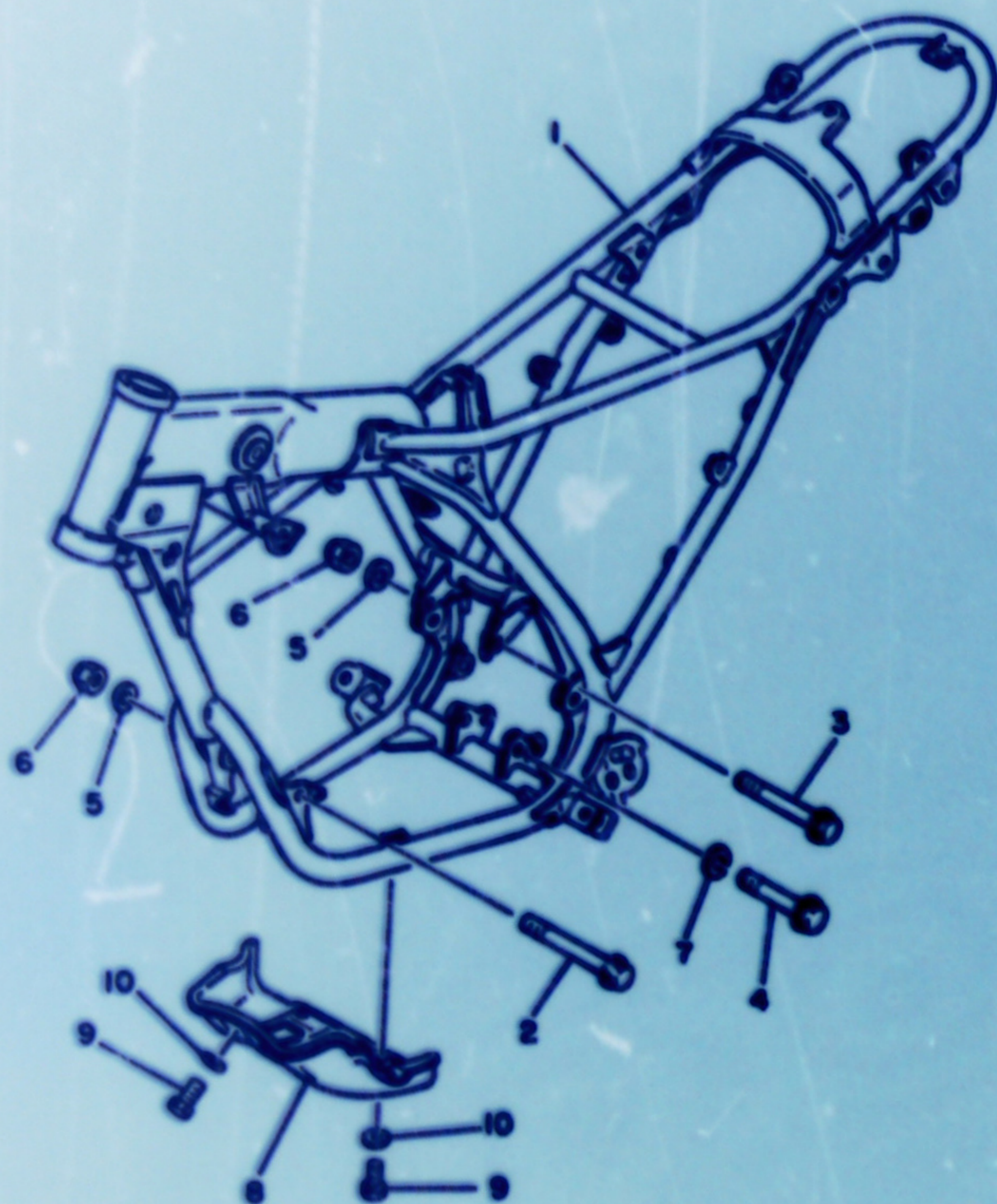
3R9100-3130

C3

FIG. 14 FRAME

Lee Waldie Craig Scott Chriss Koira

REF. NO.	PART NO.	DESCRIPTION	Q'TY	REMARKS
1	3R9-21110-03-33	FRAME COMP	1	yamaha black
2	90105-08099	BOLT, washer based	1	
3	90105-08120	BOLT, washer based	1	
4	90105-10037	BOLT, washer based	1	
5	92901-08200	WASHER, Plain	2	
6	90185-08089	NUT, self-locking	2	
7	92901-10100	WASHER, spring	1	
8	3R9-21471-00-35	PROTECTOR, engine	1	silver
9	97301-08012	BOLT	4	
10	92901-08600	WASHER, Plate	4	




3R9100-3140

C4

FIG. 15 FRONT FENDER-REAR FENDER



REF. NO.	PART NO.	DESCRIPTION	Q'TY	REMARKS
1	3R9-21511-10	FENDER, front	1	sky blue
2	90201-06067	WASHER, Plate	4	
3	97302-06020	BOLT	4	
4	92902-06100	WASHER, sPrinG	4	
5	90201-06187	WASHER	4	
6	3R9-21610-11	REAR FENDER COMP.	1	sky blue
7	90201-06067	WASHER, Plate	3	
8	97301-06014	BOLT	3	
9	92901-06100	WASHER, sPrinG	3	
10	90480-14198	GROMMET	1	
11	90387-06388	COLLAR	1	
12	97301-06030	BOLT	1	
13	92901-06100	WASHER, sPrinG	1	
14	3R9-21620-00	MUD GUARD COMP.	1	
15	2A6-21639-00	DAMPER 2	1	
16	1M1-21621-00	FLAP	1	
17	90480-01254	GROMMET	2	
18	90201-06067	WASHER, Plate	3	
19	97301-06014	BOLT	3	
20	92901-06100	WASHER, sPrinG	3	

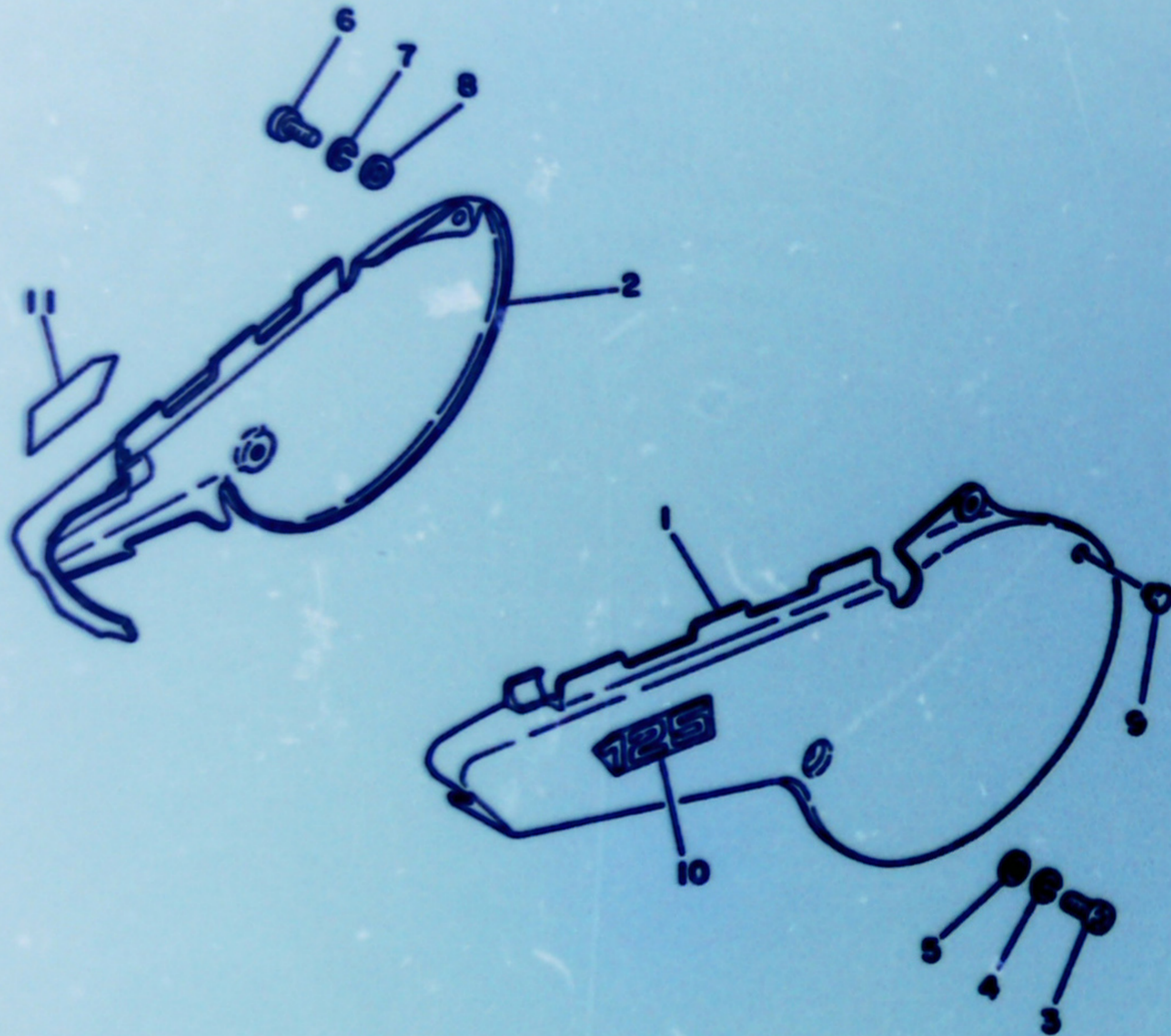
3R9100-3150

C5

FIG. 16 SIDE COVER

UK IT OWNERS FACEBOOK GROUP

REF. NO.	PART NO.	DESCRIPTION	Q'TY	REMARKS
1	3R9-21711-00-26	COVER, side 1	1	competition yellow /sky blue
2	3R9-21721-00-26	COVER, side 2	1	competition yellow /sky blue
3	92501-06015	SCREW, Pan head	2	
4	92901-06100	WASHER, spring	2	
5	90201-06067	WASHER, Plate	2	
6	92501-06015	SCREW, Pan head	2	
7	92901-06100	WASHER, spring	2	
8	90201-06067	WASHER, Plate	2	
9	431-24181-00	DAMPER, locating 1	1	
10	3R9-21737-01	EMBLEM	1	
11	3R9-21737-01	EMBLEM	1	



3R9100-3160

C6

FIG. 17 REAR ARM

REF. NO.	PART NO.	DESCRIPTION	Q'TY	REMARKS
1	3R9-22110-00-35	REAR ARM COMP.	1	silver
2	3R9-2218A-00	EMBLEM, rear arm	2	
3	9C386-18028	BUSH	2	
4	403-22124-00	BUSH 2	1	
5	401-22127-00	SHIM	1	UN
6	401-22128-01	SEAL, Guard	2	
7	2N4-22141-00	SHAFT, Pivot	1	
8	90185-12046	NUT, self-locking	1	
9	92901-12100	WASHER, sPrinE	1	
10	2A6-22151-00	SEAL, Guard	1	
11	2A6-22152-00	SEAL, Guard	1	
12	2K5-22153-01	GUARD, chain	1	
13	97301-06055	BOLT	1	
14	92901-06100	WASHER, sPrinE	1	
15	97301-06012	BOLT	1	
16	92901-06100	WASHER, sPrinE	1	
17	2A6-22179-00	ARM, tensioner	1	
18	93104-14044	OIL SEAL	2	
19	2N0-22178-00	TENSIONER	1	
20	1W1-22187-00	GUIDE, chain	1	
21	95301-05700	NUT	2	
22	98501-05035	SCREW, Pan head	2	
23	90109-10483	BOLT	1	
24	90508-35350	SPRING, torsion	1	
25	3R9-22311-00-33	CASE, chain	1	yamaha black
26	92901-05200	WASHER, Plain	3	
27	98501-05010	SCREW, Pan head	3	
28	92901-05100	WASHER, sPrinE	3	

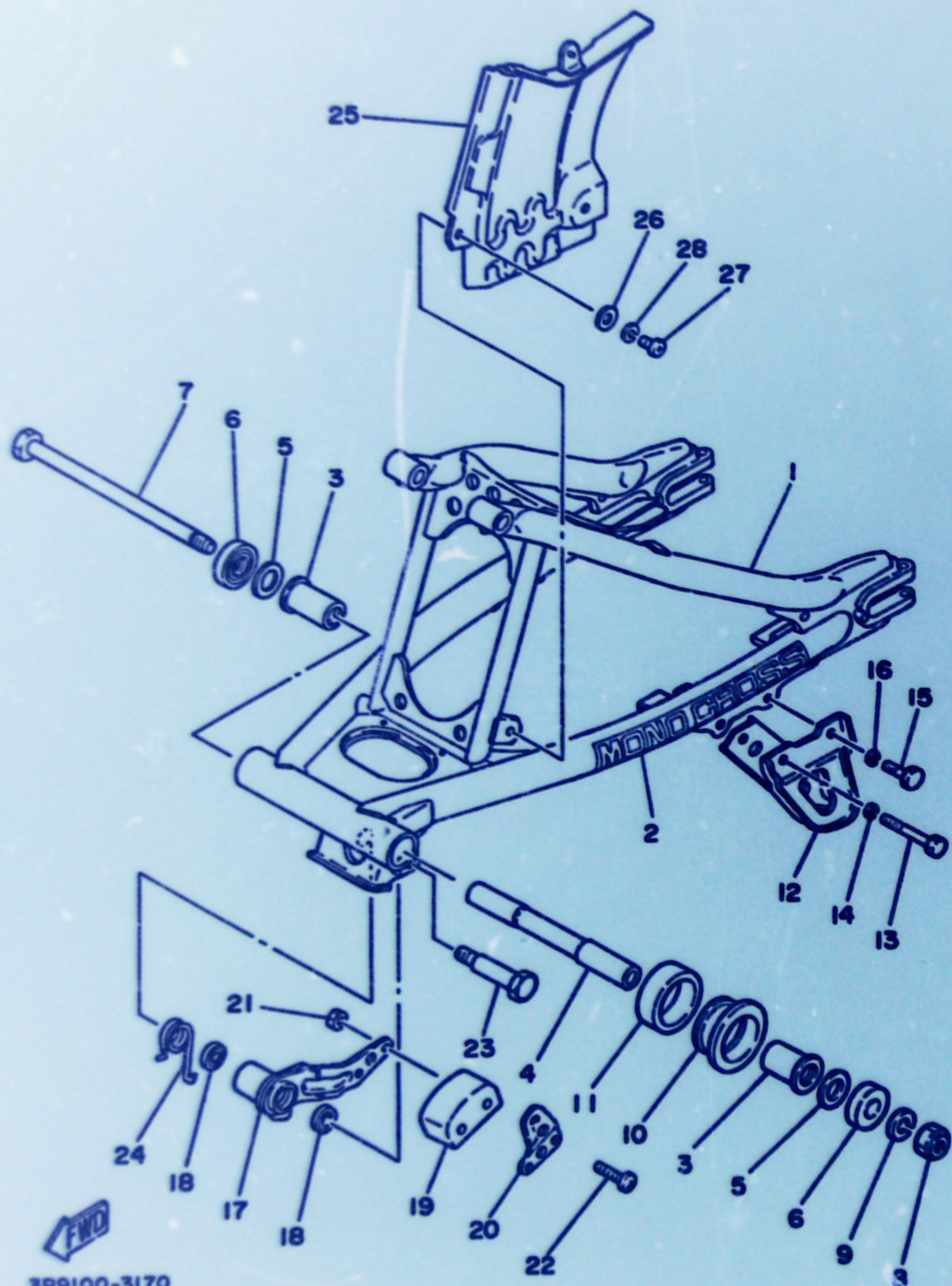
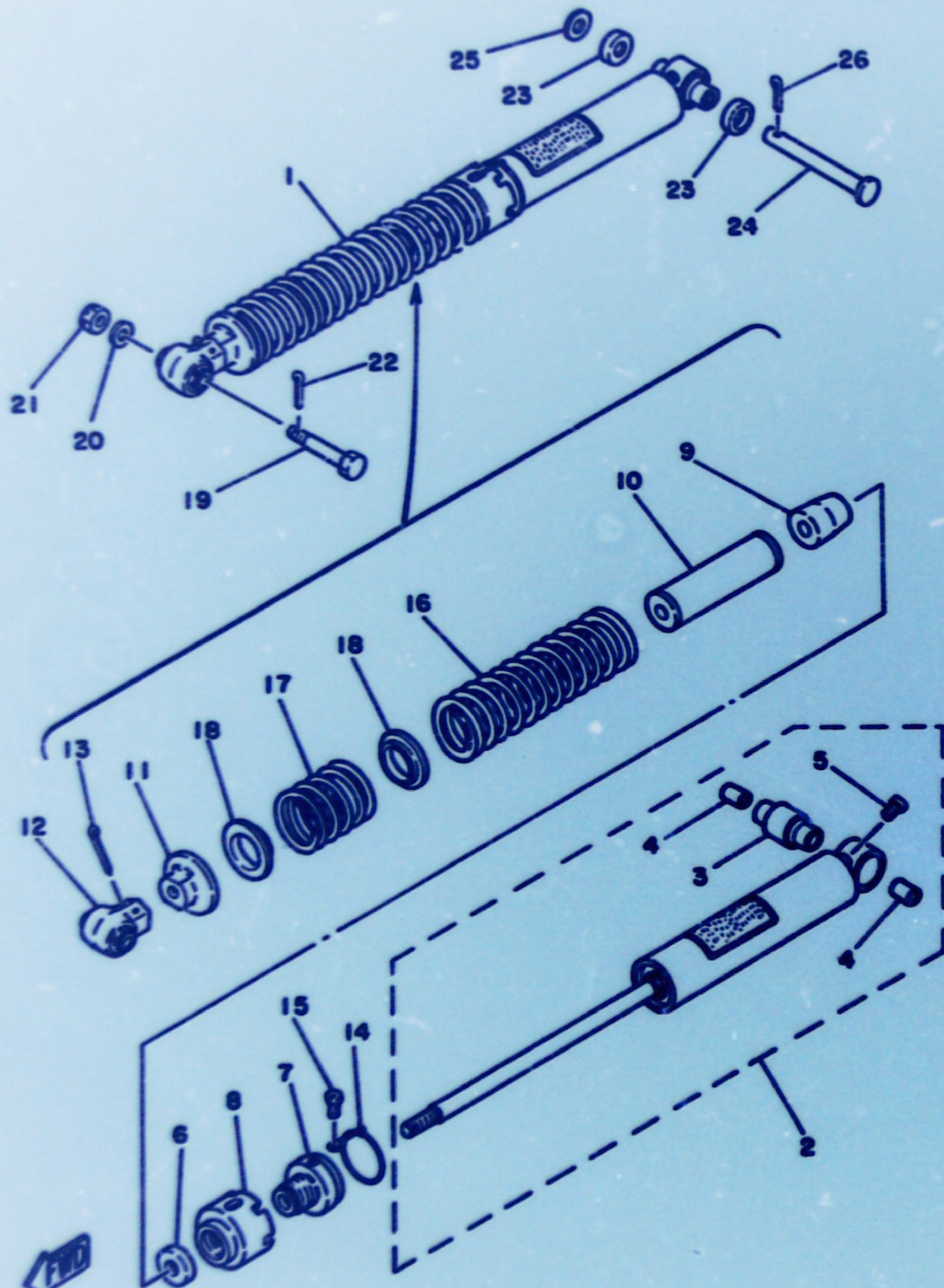


FIG. 18 REAR SUSPENSION

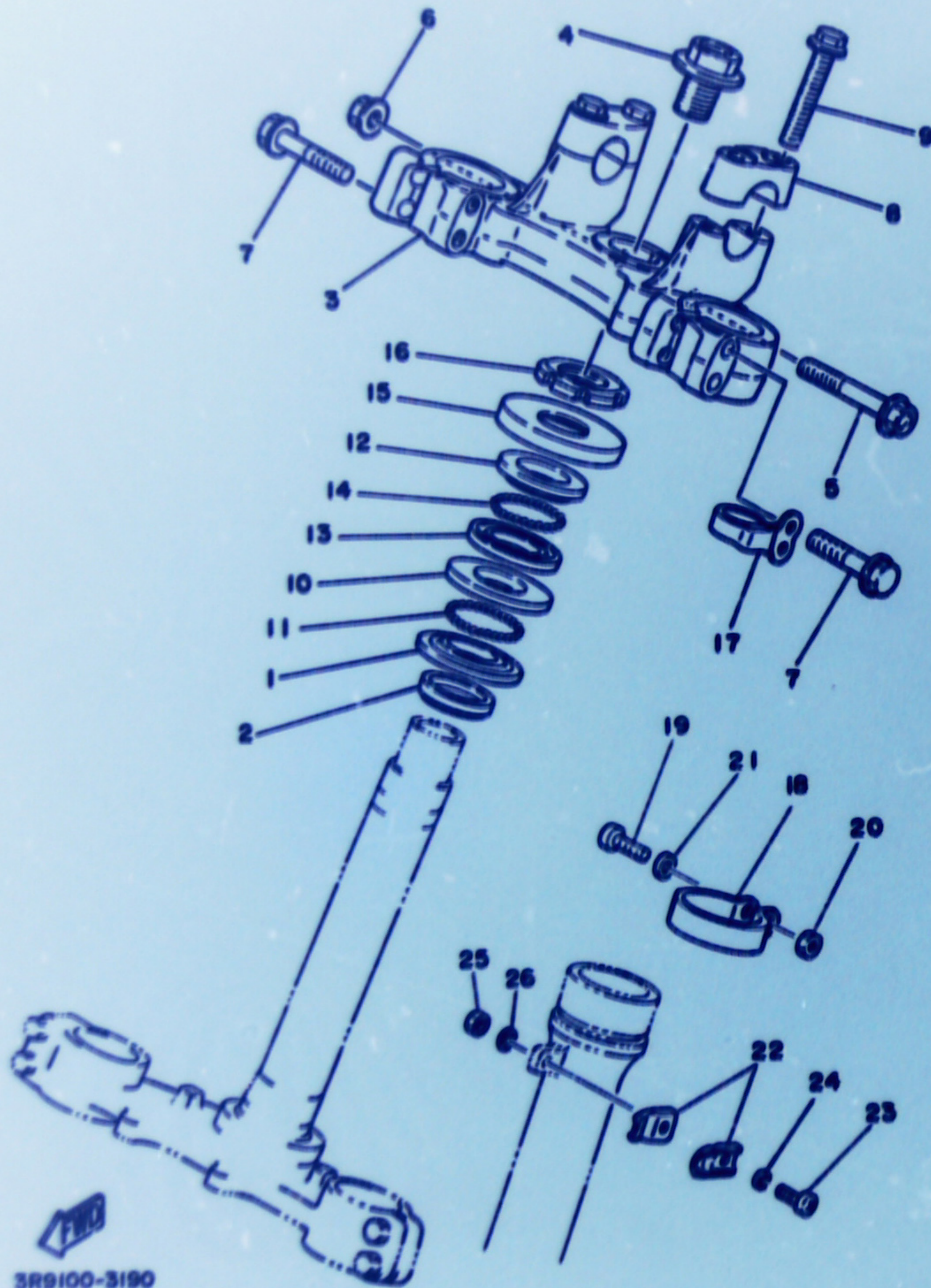
REF. NO.	PART NO.	DESCRIPTION	Q'TY	REMARKS
1	3R9-22210-10	SHOCK ABSORBER ASSY, rear	1	
2	3R9-22401-10	•DUMPER SUB ASSY	1	
3	1W1-22226-00	••BUSH, shock absorber lower	1	
4	90380-12051	••BUSH, solid	2	
5	98501-04005	••SCREW, Pan head	1	
6	2A6-22482-00	•STOPPER	1	
7	1M1-22472-01	•CAP, case	1	
8	1M1-22223-00	•SEAT, sPrinG lower	1	
9	2A6-22493-00	•STOPPER, bump	1	
10	3R9-22496-00	•SLEEVE, rod	1	
11	1M1-22213-01	•SEAT, sPrinG uPPer	1	
12	1M1-22219-01	•BRACKET, uPPer	1	
13	91401-30040	•PIN, cotter	1	
14	1M1-22225-00	•RING, hold	1	
15	90149-04109	•SCREW	1	
16	3R9-22222-00	•SPRING, shock absorber 2	1	
17	3R9-22212-00	•SPRING	1	
18	3R9-22234-00	•GUIDE, sPrinG 3	2	
19	90109-10453	BOLT	1	
20	92901-10200	WASHER, Plain	1	
21	95302-10700	NUT	1	
22	91401-20025	PIN, cotter	1	
23	1W1-22128-00	COVER, thrust 1	2	
24	90240-12059	PIN, clevis	1	
25	92901-12600	WASHER, Plate	1	
26	91401-30025	PIN, cotter	1	



3R9100-3180

C8

FIG. 19 STEERING



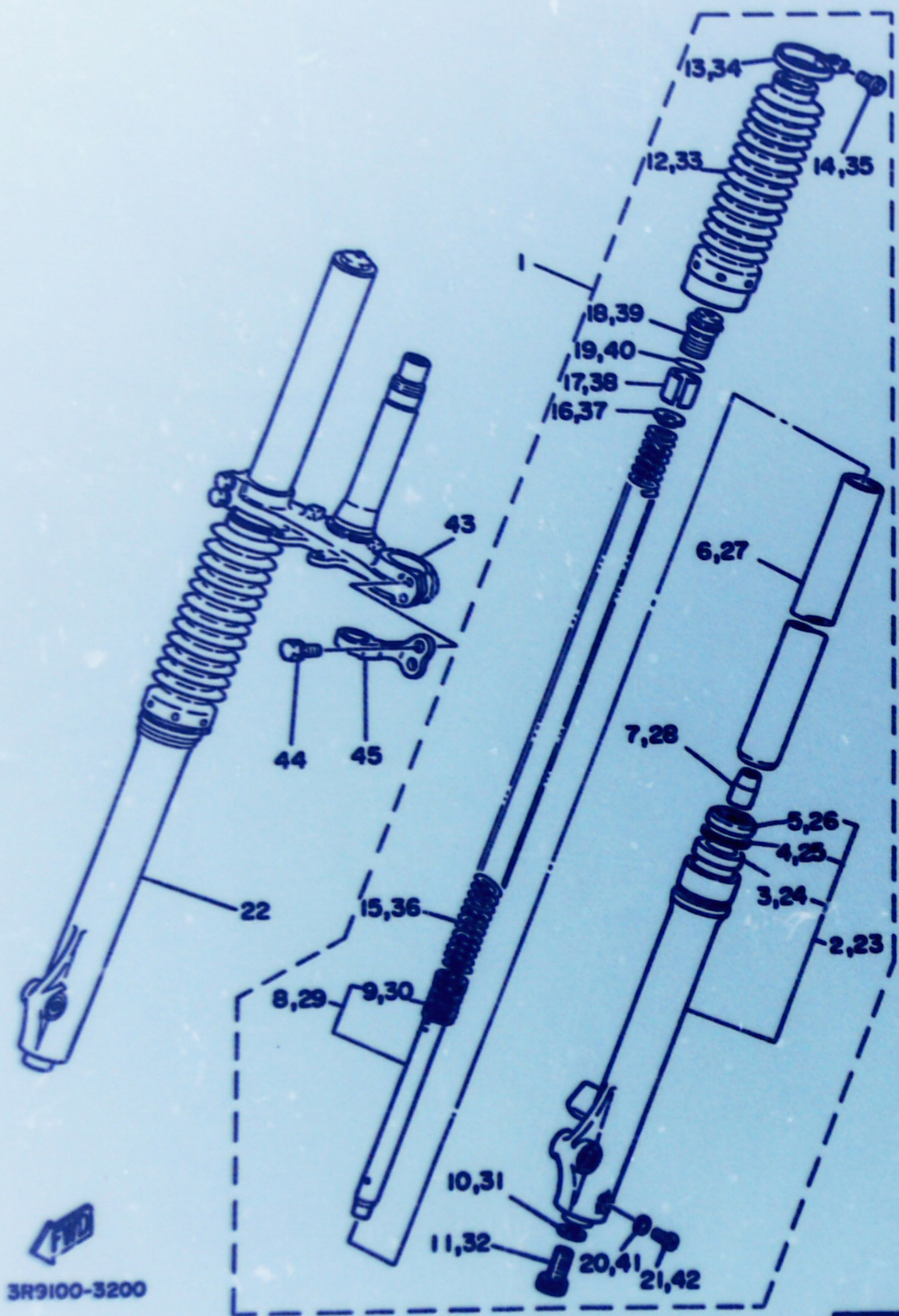
REF. NO.	PART NO.	DESCRIPTION	Q'TY	REMARKS
1	156-23411-00	RACE, ball 1	1	
2	164-23462-00	SEAL, steering	1	
3	3R2-23435-00-98	CROWN, handle	1	low Gloss black
4	90105-14136	BOLT, washer based	1	
5	95821-08055	BOLT, flange	1	
6	95701-08100	NUT, flange	1	
7	95821-08040	BOLT, flange	4	
8	1E6-23441-00-98	HOLDER, handle upper	2	low Gloss black
9	95821-08035	BOLT, flange	4	
10	156-23412-00	RACE, ball 2	1	
11	93501-04011	BALL	19	
12	122-23411-00	RACE, ball 1	1	
13	122-23412-00	RACE, ball 2	1	
14	93503-16010	BALL	22	
15	683-23416-01	COVER, ball race 2	1	
16	90179-25033	NUT	1	
17	3R4-23317-00	HOLDER, cable	1	
18	3R9-23318-00	HOLDER, cable 1	1	
19	98501-05018	SCREW, Pan head	1	
20	95301-05600	NUT	1	
21	92901-05600	WASHER, Plate	1	
22	90462-14055	CLAMP	2	
23	92501-06025	SCREW, Pan head	1	
24	92901-06100	WASHER, spring	1	
25	95301-06600	NUT	1	
26	92901-06600	WASHER, Plate	1	

3R9100-3190

C9

FIG. 20 FRONT FORK

REF. NO.	PART NO.	DESCRIPTION	Q'TY	REMARKS
1	3R9-23102-11	FRONT FORK ASSY (L.H)	1	
2	3R2-23107-01	•OUTER TUBE COMP. (L.H)	1	
3	1T3-23145-00	••OIL SEAL	1	
4	4A1-23156-00	••CLIP, oil seal	1	
5	3R2-23144-00	••SEAL, dust	1	
6	3R2-23110-00	•INNER TUBE COMP.1	1	
7	1W1-23173-L0	•SPINDLE, taPer	1	
8	3R9-23170-10	•CYLINDER COMP., front fork	1	
9	509-23151-L0	••SPRING, rebound	1	
10	509-23158-L0	•GASKET	1	
11	278-23181-50	•BOLT, hexagon socket head	1	
12	3R2-23191-00	•BOOT	1	
13	341-92090-60	•BAND, boot	1	
14	509-23194-L0	•SCREW, boot band	1	
15	3R9-23141-10	•SPRING, front fork	1	
16	583-23142-00	•SEAT, sPring upper	1	
17	1W2-23116-10	•SPACER	1	
18	2W6-23111-00	•BOLT, caP	1	
19	240-23114-00	•GASKET	1	
20	122-23129-00	•GASKET, drain Plug	1	
21	122-23119-01	•PLUG, drain	1	
22	3R9-23103-11	FRONT FORK ASSY (R.H)	1	
23	3R2-23106-00	•OUTER TUBE COMP. (R.H)	1	
24	1T3-23145-00	••OIL SEAL	1	
25	4A1-23156-00	••CLIP, oil seal	1	
26	3R2-23144-00	••SEAL, dust	1	
27	3R2-23110-00	•INNER TUBE COMP.1	1	
28	1W1-23173-L0	•SPINDLE, taPer	1	

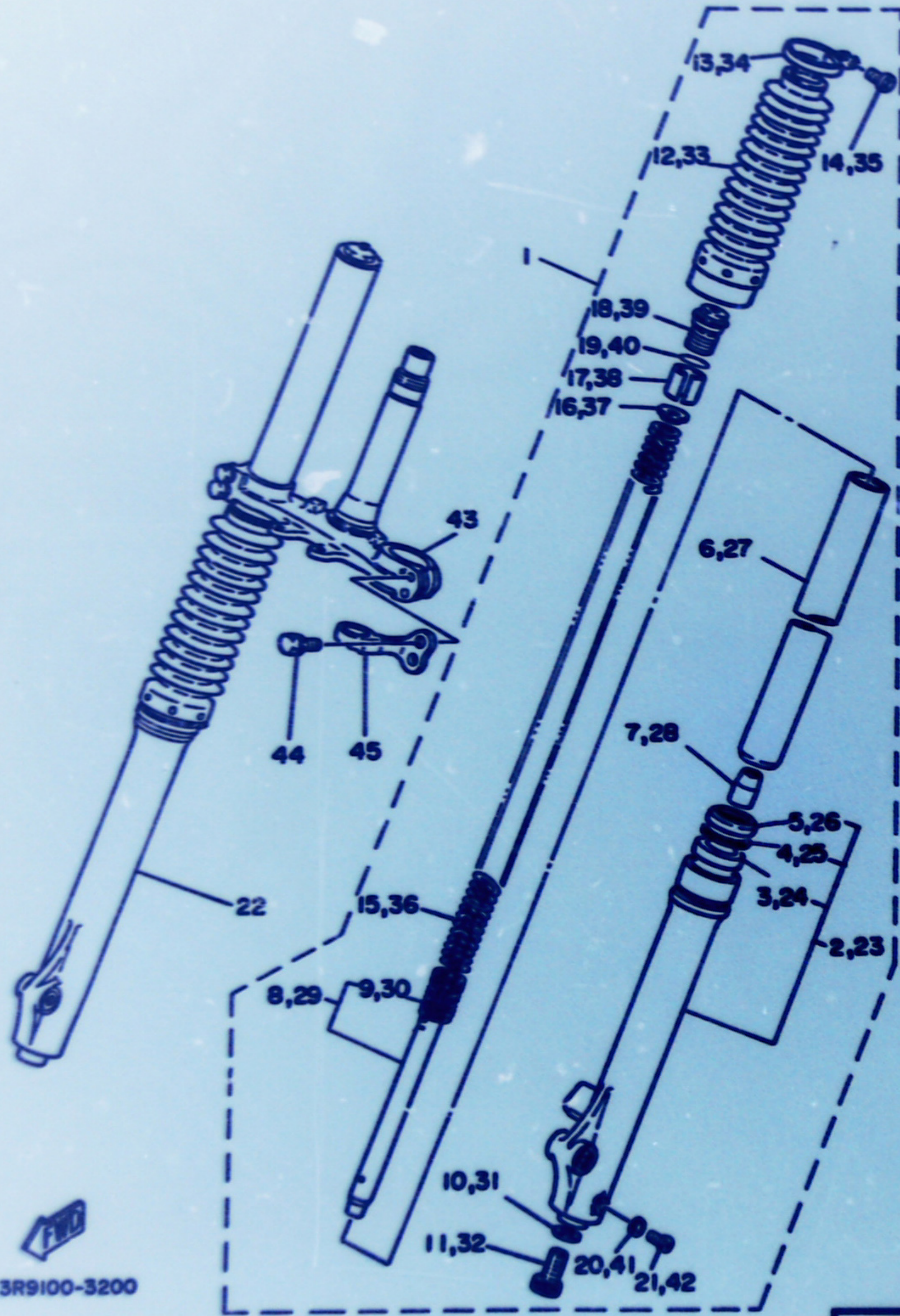


3R9100-3200

C10

FIG. 20 FRONT FORK

REF. NO.	PART NO.	DESCRIPTION	Q'TY	REMARKS
29	3R9-23170-10	•CYLINDER COMP., front fork	1	
30	509-23151-L0	••SPRING, rebound	1	
31	509-23158-L0	•GASKET	1	
32	278-23181-50	•BOLT, hexagon socket head	1	
33	3R2-23191-00	•BOOT	1	
34	341-92090-60	•BAND, boot	1	
35	509-23194-L0	•SCREW, boot band	1	
36	3R9-23141-10	•SPRING, front fork	1	
37	583-23142-00	•SEAT, sPrinG uPPer	1	
38	1W2-23118-10	•SPACER	1	
39	2W6-23111-00	•BOLT, caP	1	
40	240-23114-00	•GASKET	1	
41	122-23129-00	•GASKET, drain Plug	1	
42	122-23119-01	•PLUG, drain	1	
43	3R9-23340-10-33	UNDER BRACKET COMP.	1	yamaha black
44	2K5-23128-00	BOLT, axle holder	4	
45	3R4-23389-00	GUIDE, cable	1	

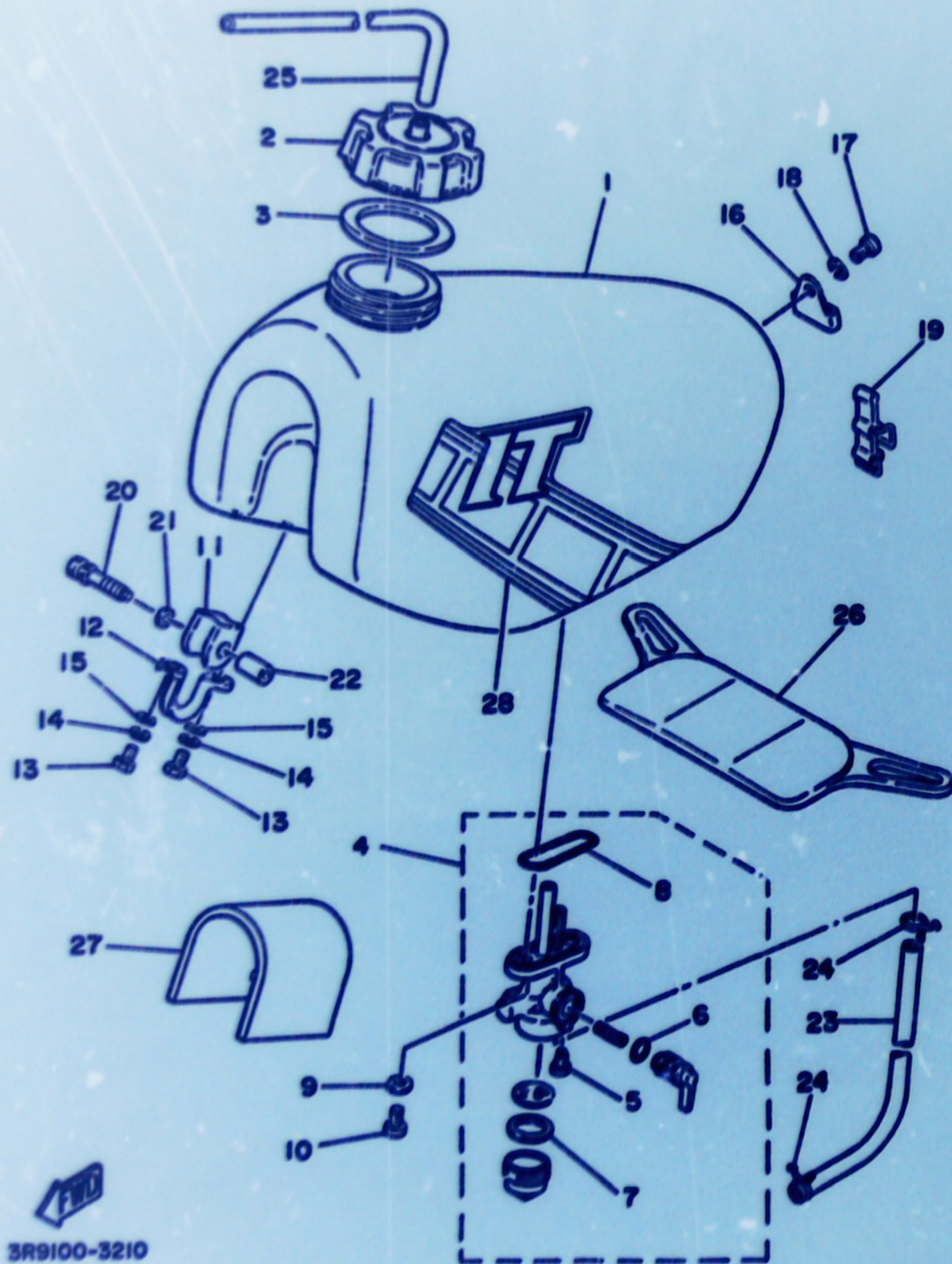


3R9100-3200

C11

FIG. 21 FUEL TANK

REF. NO.	PART NO.	DESCRIPTION	Q'TY	REMARKS
1	3R9-24110-01	FUEL TANK COMP.	1	sky blue
2	3R9-24611-01	BODY, caP	1	
3	3R9-24612-00	GASKET, caP	1	
4	3R9-24500-00	FUEL COCK ASSY 1	1	
5	2N3-24535-00	•SCREW, lever fitting	1	
6	2N3-24528-00	•O-RING	1	
7	357-24522-10	•GASKET	1	
8	2W6-24512-00	•O-RING	1	
9	90202-06010	WASHER, Plate	2	
10	90149-06011	SCREW	2	
11	1W1-24182-01	DAMPER, locating 2	2	
12	1W1-24144-01	HOLDER, damPer	2	
13	97301-06012	BOLT	4	
14	92901-06100	WASHER, sPrinG	4	
15	92901-06600	WASHER, Plate	4	
16	2K5-24192-00	BRACKET, fuel tank 2	1	
17	92501-06012	SCREW, Pan head	1	
18	92901-06100	WASHER, sPrinG	1	
19	2K5-24173-00	BAND, tank fitting 1	1	
20	90119-06022	BOLT, with washer	2	
21	90201-06407	WASHER, Plate	2	
22	90387-07393	COLLAR	2	
23	90445-11295	HOSE	1	
24	90467-10008	CLIP	2	
25	90445-09117	HOSE	1	
26	2K5-24181-00	DAMPER, locating 1	1	
27	1W1-24183-00	DAMPER, locating 3	1	
28	3R9-24250-40	GRAPHIC SET	1	



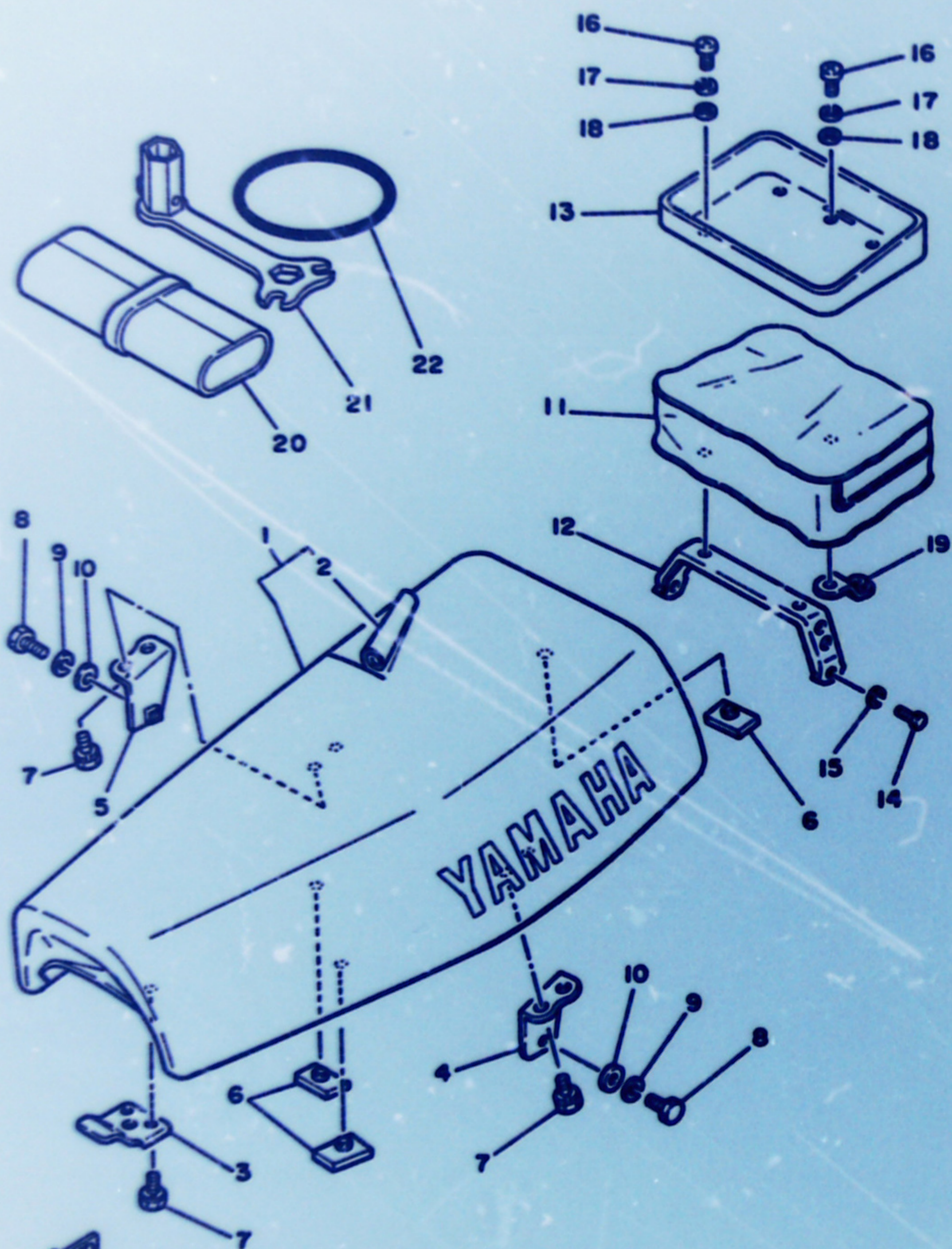
3R9100-3210

C12

FIG. 22 SEAT-CARRIER

REF. NO.	PART NO.	DESCRIPTION	Q'TY	REMARKS
1	3R2-W2473-00	SEMI-DOUBLE SEAT ASSY	1	
2	3R2-24771-00	COVER, semi-double seat	1	
3	2K5-24715-00	STAY, front	1	
4	2K5-24716-00	STAY, rear	1	
5	2K5-24719-00	STAY, rear	1	
6	509-24724-00	DAMPER, seat	6	
7	90101-06304	BOLT	6	
8	97301-06016	BOLT	2	
9	92901-06100	WASHER, sPrinG	2	
10	92901-06600	WASHER, Plate	2	
11	4V5-24850-00	CARRIER BOX ASSY	1	
12	3W1-24832-00	BRACKET, carrier 1	1	
13	4V5-24833-00	BRACKET, carrier 2	1	
14	97301-06014	BOLT	2	
15	92901-06100	WASHER, sPrinG	2	
16	92502-06016	SCREW, Pan head	3	
17	92902-06100	WASHER, sPrinG	3	
18	90201-06067	WASHER, Plate	3	
19	3W1-24819-00	STAY, rear	1	
20	3R9-28100-00	TOOL KIT	1	
21	3R9-28136-00	SPANNER, sPecial	1	
22	93210-98202	O-RING	1	

Lee Waldie Craig Scott Chris Koira

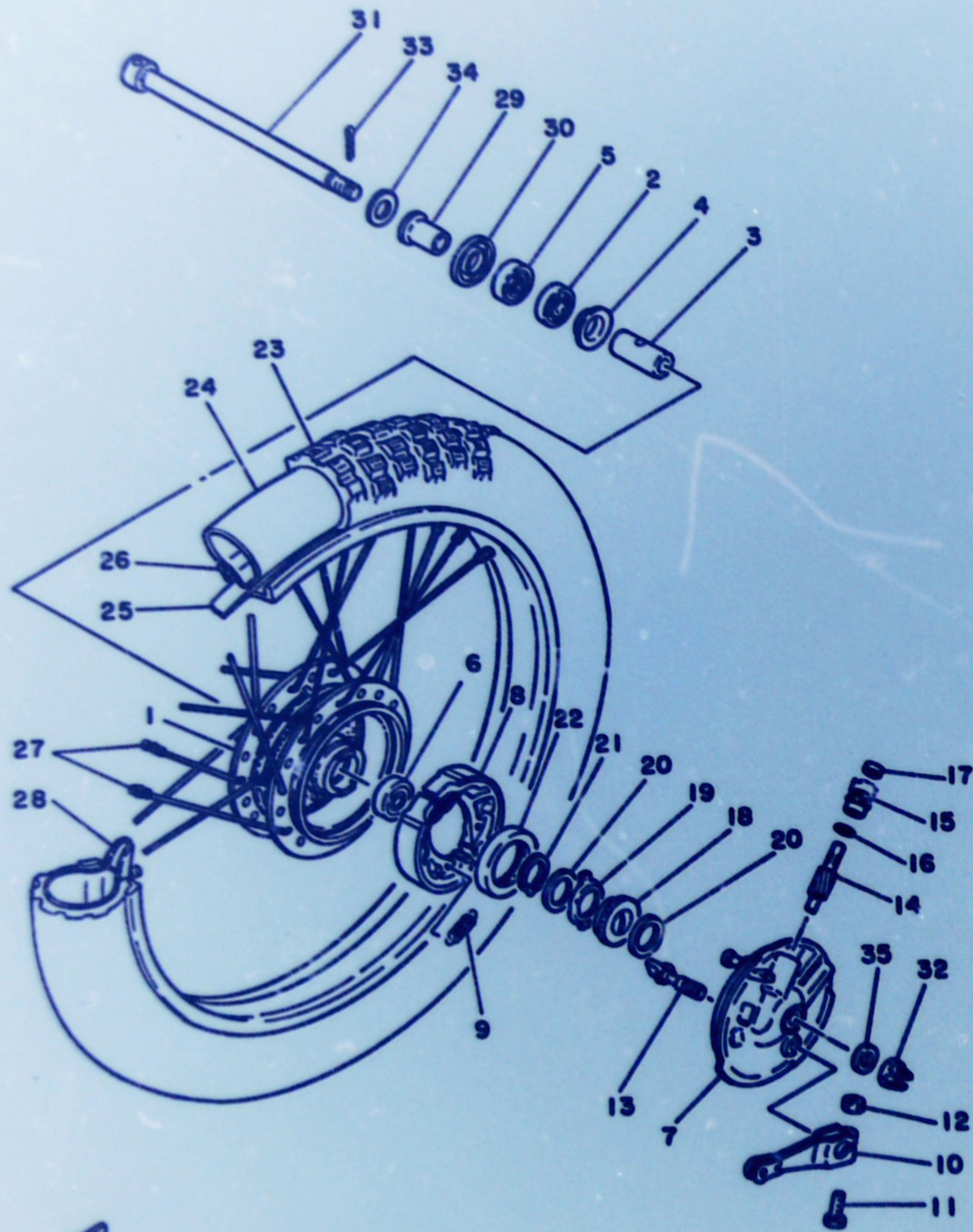


3R9100-3220

C13

FIG. 23 FRONT WHEEL

REF. NO.	PART NO.	DESCRIPTION	Q'TY	REMARKS
1	248-25111-00-98	HUB, front	1	low gloss black
2	93306-30102	BEARING (B6301)	1	
3	90560-12138	SPACER	1	
4	109-25315-00	FLANGE, sPacer	1	
5	93102-18008	OIL SEAL	1	
6	93306-30103	BEARING (B6301Z)	1	
7	3R9-25121-01-98	PLATE, brake shoe	1	low gloss black
8	437-25130-00	BRAKE SHOE COMP.	2	
9	90506-16150	SPRING, tension	2	
10	401-25155-11	LEVER, camshaft 1	1	
11	90101-06278	BOLT	1	
12	95301-06600	NUT	1	
13	122-25351-02	CAMSHAFT	1	
14	3R9-25138-00	GEAR, meter	1	
15	109-25136-00	BUSH	1	
16	90201-07076	WASHER, Plate	1	
17	93104-07003	OIL SEAL	1	
18	3R9-25135-00	GEAR, drive	1	
19	183-25149-00	CLUTCH, meter	1	
20	90201-20269	WASHER, Plate	2	
21	93410-20009	CIRCLIP	1	
22	93105-47007	OIL SEAL	1	
23	94130-21554	TIRE (3.00-21)	1	bridgestone
24	94227-21123	TUBE (2.75-21)	1	bridgestone
25	94330-21084	BAND, rim (3.00-21)	1	bridgestone
26	94416-21265	RIM (1.60-21)	1	
27	345-25104-01	SPOKE SET, front	1	
28	1T1-25194-00	SPACER, bead	1	

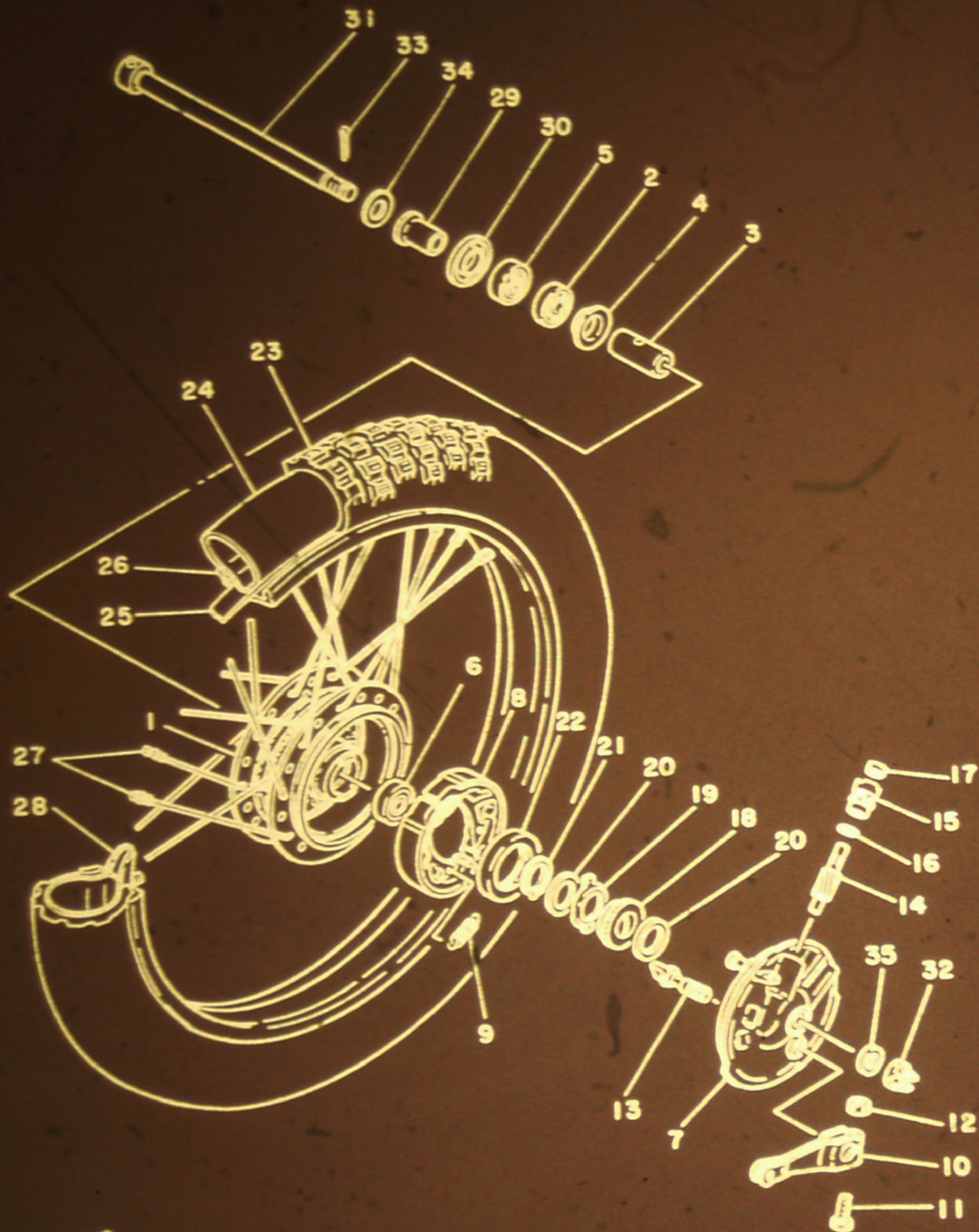


3R9100-3230

C14

FIG. 23 FRONT WHEEL

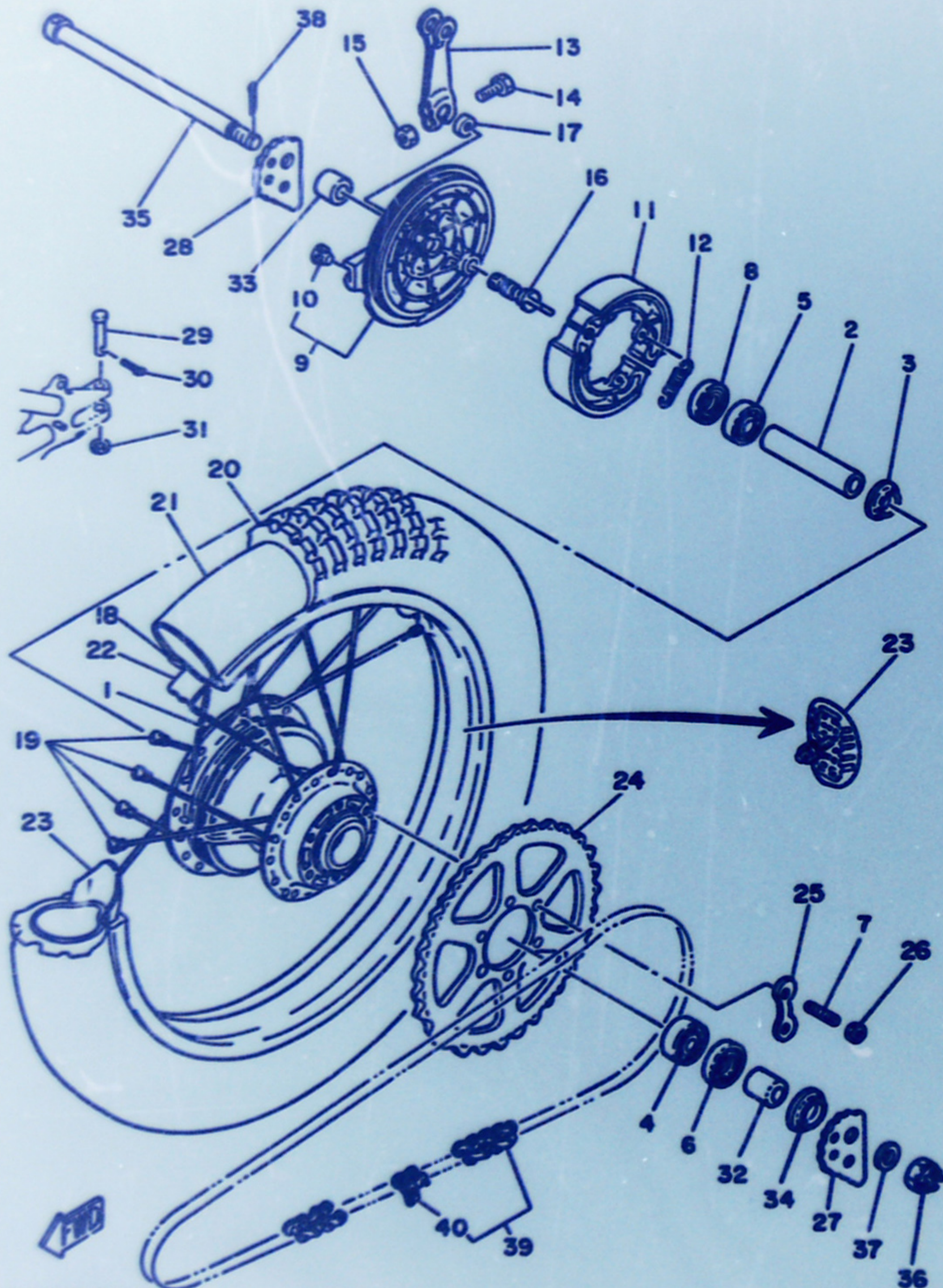
REF. NO.	PART NO.	DESCRIPTION	Q'TY	REMARKS
29	90387-12265	COLLAR	1	
30	2K5-25118-00	COVER, hub dust	1	
31	353-25381-00	AXLE, wheel	1	
32	90171-10004	NUT, castle	1	
33	91401-20020	PIN, cotter	1	
34	90201-12174	WASHER, Plate	1	
35	92901-10200	WASHER, Plain	1	



3R9100-3230

C15

FIG. 24 REAR WHEEL



3R9100-3240

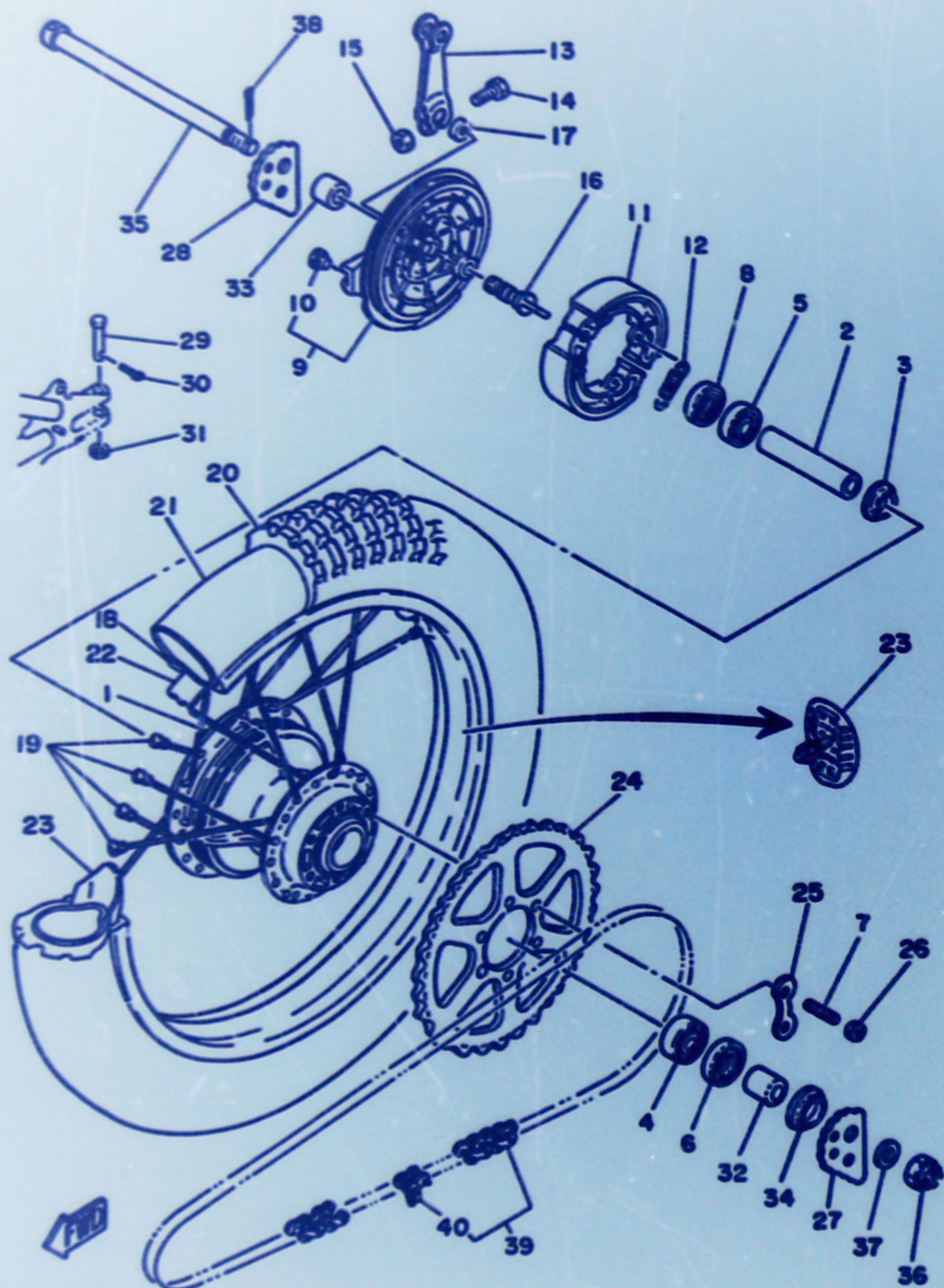
D2

UK IT OWNERS FACEBOOK GROUP

REF. NO.	PART NO.	DESCRIPTION	Q'TY	REMARKS
1	1W1-25311-00-98	HUB, rear	1	low Gloss black
2	248-25317-00	SPACER, bearing	1	
3	148-25115-00	FLANGE, spacer 1	1	
4	93306-30208	BEARING	1	
5	93306-20205	BEARING (B6202)	1	
6	93106-26005	OIL SEAL	1	
7	90116-10221	BOLT, stud	6	
8	93104-22018	OIL SEAL	1	
9	2A6-25026-03-98	BRAKE SHOE PLATE ASSY	1	low Gloss black
10	90480-10068	GROMMET	1	
11	437-25330-01	BRAKE SHOE COMP.	2	
12	90506-16036	SPRING, tension	2	
13	1E2-25155-00	LEVER, camshaft 1	1	
14	90101-06278	BOLT	1	
15	95301-06600	NUT	1	
16	2A6-25351-01	CAMSHAFT	1	
17	148-25359-00	SEAL, camshaft	1	
18	94418-18312	RIM (1.85-18)	1	
19	537-25304-01	SPOKE SET, rear	1	
20	94141-18557	TIRE (4.10-18)	1	bridgestone
21	94241-18153	TUBE (4.10-18)	1	bridgestone
22	94330-18087	BAND, rim (3.00-18)	1	bridgestone
23	2X3-25394-00	SPACER, bead	2	
24	3R9-25446-10-33	SPROCKET, driven (46T)	1	UR STD yamaha black
	3R9-25444-10-33	SPROCKET, driven (44T)	1	UR AP yamaha black
	3R9-25448-10-33	SPROCKET, driven (48T)	1	UR AP yamaha black
25	1G8-25412-00	WASHER	3	
26	90170-10219	NUT	6	

FIG. 24 REAR WHEEL

REF. NO.	PART NO.	DESCRIPTION	Q'TY	REMARKS
27	1W2-25388-01	PULLER, chain 1	1	
28	1W2-25389-01	PULLER, chain 2	1	
29	91701-06042	PIN, clevis	2	
30	91401-20015	PIN, cotter	2	
31	92901-06600	WASHER, Plate	2	
32	90387-15524	COLLAR	1	
33	90387-15524	COLLAR	1	
34	401-25367-00	COVER, hub dust	1	
35	2A6-25381-00	AXLE, wheel	1	
36	90171-14020	NUT, castle	1	
37	90201-15238	WASHER, Plate	1	
38	91401-30030	PIN, cotter	1	
39	94585-20100	CHAIN, drive (DID520DS 100L)	1	
40	94685-20001	JOINT, chain	1	

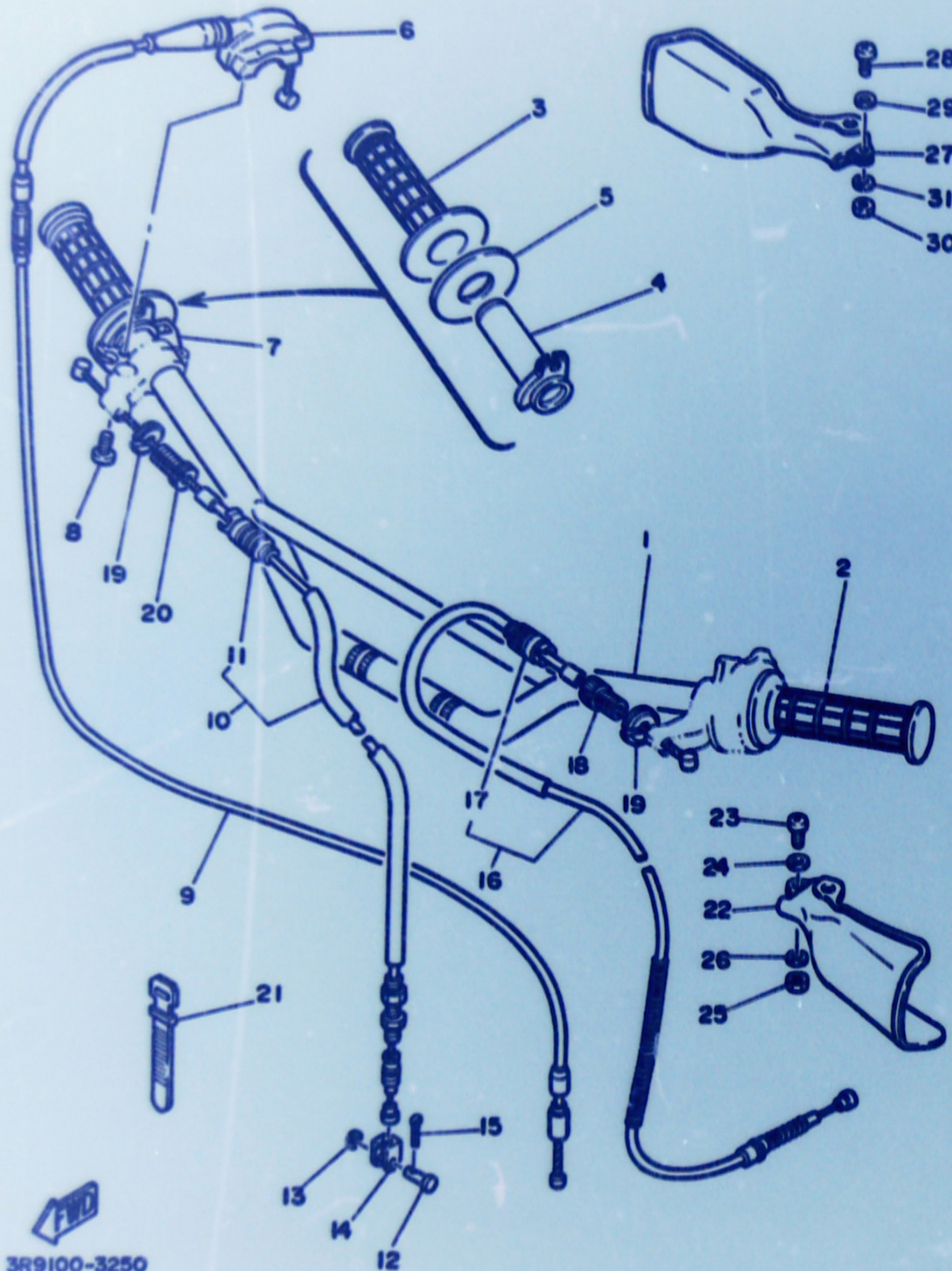


3R9100-3240

D3

FIG. 25 HANDLEBAR-CABLE

REF. NO.	PART NO.	DESCRIPTION	Q'TY	REMARKS
1	3R9-26111-00	HANDLEBAR	1	
2	4V4-26241-00	GRIP (L.H)	1	
3	3R9-26242-00	GRIP (R.H)	1	
4	322-26243-00	TUBE, throttle Guide	1	
5	1W1-26249-00	RING, leaf	1	
6	322-26281-00-98	CAP, grip upper	1	low gloss black
7	322-26282-00-98	CAP, grip lower	1	low gloss black
8	98503-05015	SCREW, Pan head	2	
9	2K5-26311-02	CABLE, throttle 1	1	
10	3R9-26341-00	CABLE, brake	1	
11	1E6-26342-00	.BOOT, cable	1	
12	90240-08012	PIN, clevis	1	
13	90201-08083	WASHER, Plate	1	
14	156-26347-00	JOINT, cable	1	
15	91401-20015	PIN, cotter	1	
16	3R9-26335-10	CABLE, clutch	1	
17	1E6-26342-00	.BOOT, cable	1	
18	90123-08046	BOLT	1	
19	90179-08148	NUT	2	
20	90123-08046	BOLT	1	
21	437-83936-10	BAND, switch cord	1	
22	3R9-26141-00	GUARD, brush 1	1	sky blue
23	92501-06015	SCREW, Pan head	1	
24	92901-06600	WASHER, Plate	1	
25	95301-06700	NUT	1	
26	92901-06200	WASHER, Plain	1	
27	3R9-26142-00	GUARD, brush 2	1	sky blue
28	92501-06015	SCREW, Pan head	1	



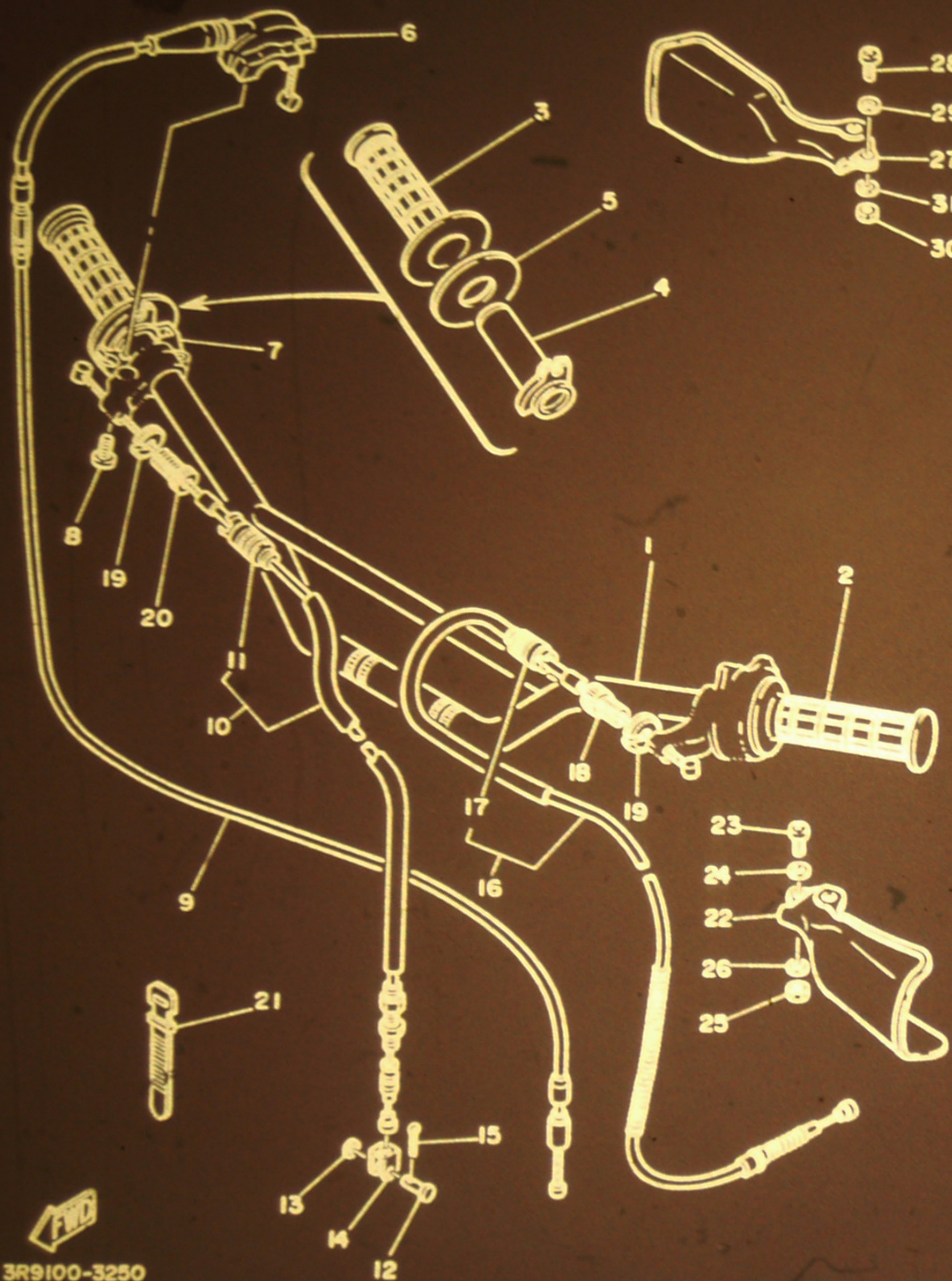
3R9100-3250

D4

FIG. 25 HANDLEBAR CABLE

REF. NO.	PART NO.	DESCRIPTION	Q'TY	REMARKS
29	92901-06600	WASHER, Plate	1	
30	95301-06700	NUT	1	
31	92901-06200	WASHER, Plain	1	

Lee Waldie Craig Scott Chris Koira

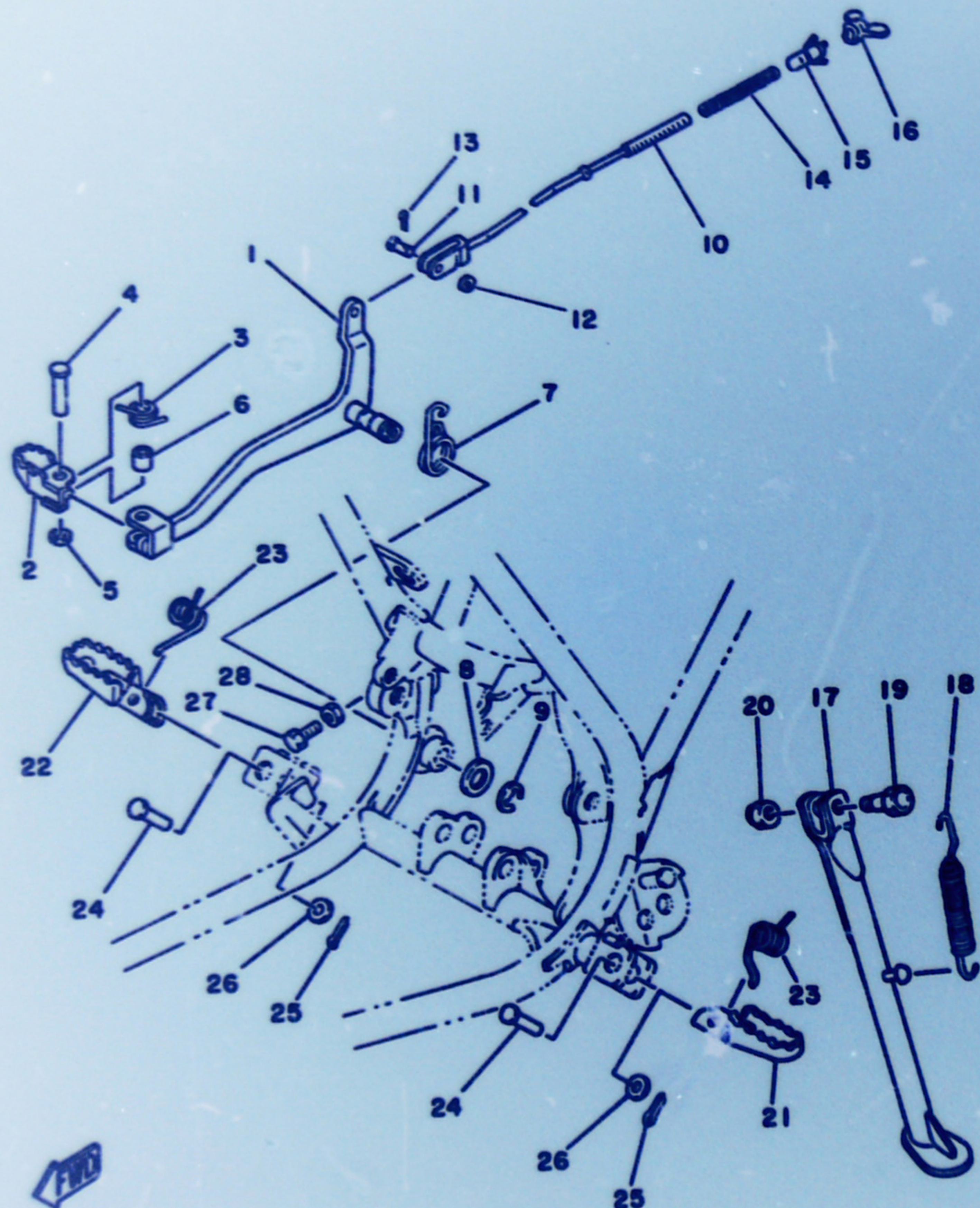


3R9100-3250

D5

FIG. 26 STAND-FOOTREST

REF. NO.	PART NO.	DESCRIPTION	Q'TY	REMARKS
1	3R9-27211-00	PEDAL, brake	1	
2	3R9-27242-00	PEDAL, brake	1	
3	90508-20414	SPRING, torsion	1	
4	91701-08032	PIN, clevis	1	
5	92901-08600	WASHER, Plate	1	
6	90387-08762	COLLAR	1	
7	90508-32354	SPRING, torsion	1	
8	90201-14212	WASHER, Plate	1	
9	93430-10015	CIRCLIP	1	
10	2K5-27231-00	ROD, brake	1	
11	90240-06006	PIN, clevis	1	
12	92901-06200	WASHER, Plain	1	
13	91401-25015	PIN, cotter	1	
14	90501-10245	SPRING, compression	1	
15	90249-12008	PIN	1	
16	90175-06013	NUT, wing	1	
17	3R9-27311-00-33	STAND, side	1	yamaha black
18	90507-29008	SPRING, tension	1	
19	90109-10473	BOLT	1	
20	90185-10037	NUT, self-locking	1	
21	3R4-27411-00	FOOTREST 1	1	
22	3R4-27421-00	FOOTREST 2	1	
23	90508-20023	SPRING, torsion	2	
24	91702-08040	PIN, clevis	2	
25	91401-25015	PIN, cotter	2	
26	92901-08600	WASHER, Plate	2	
27	97301-06020	BOLT	1	
28	95301-06700	NUT	1	



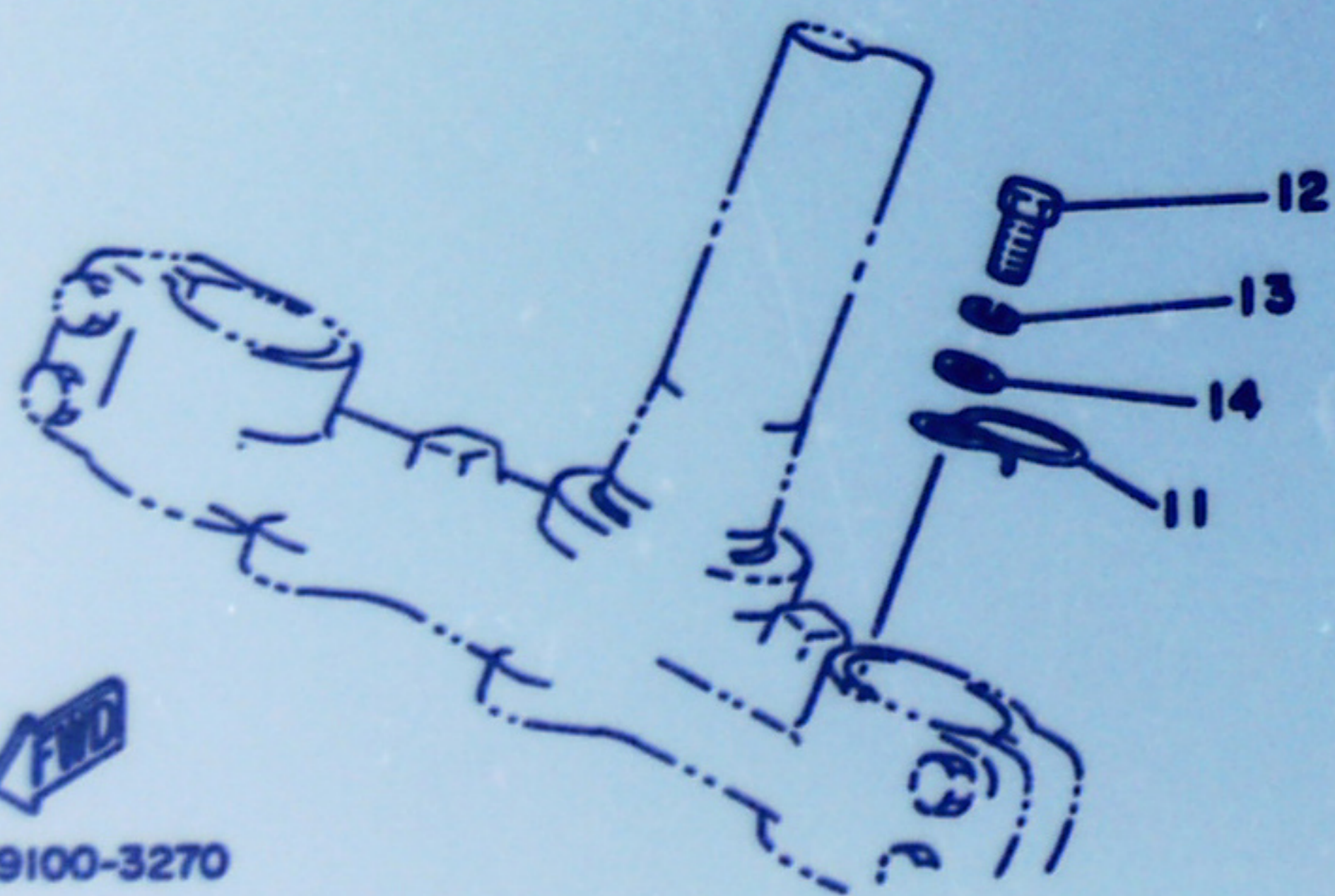
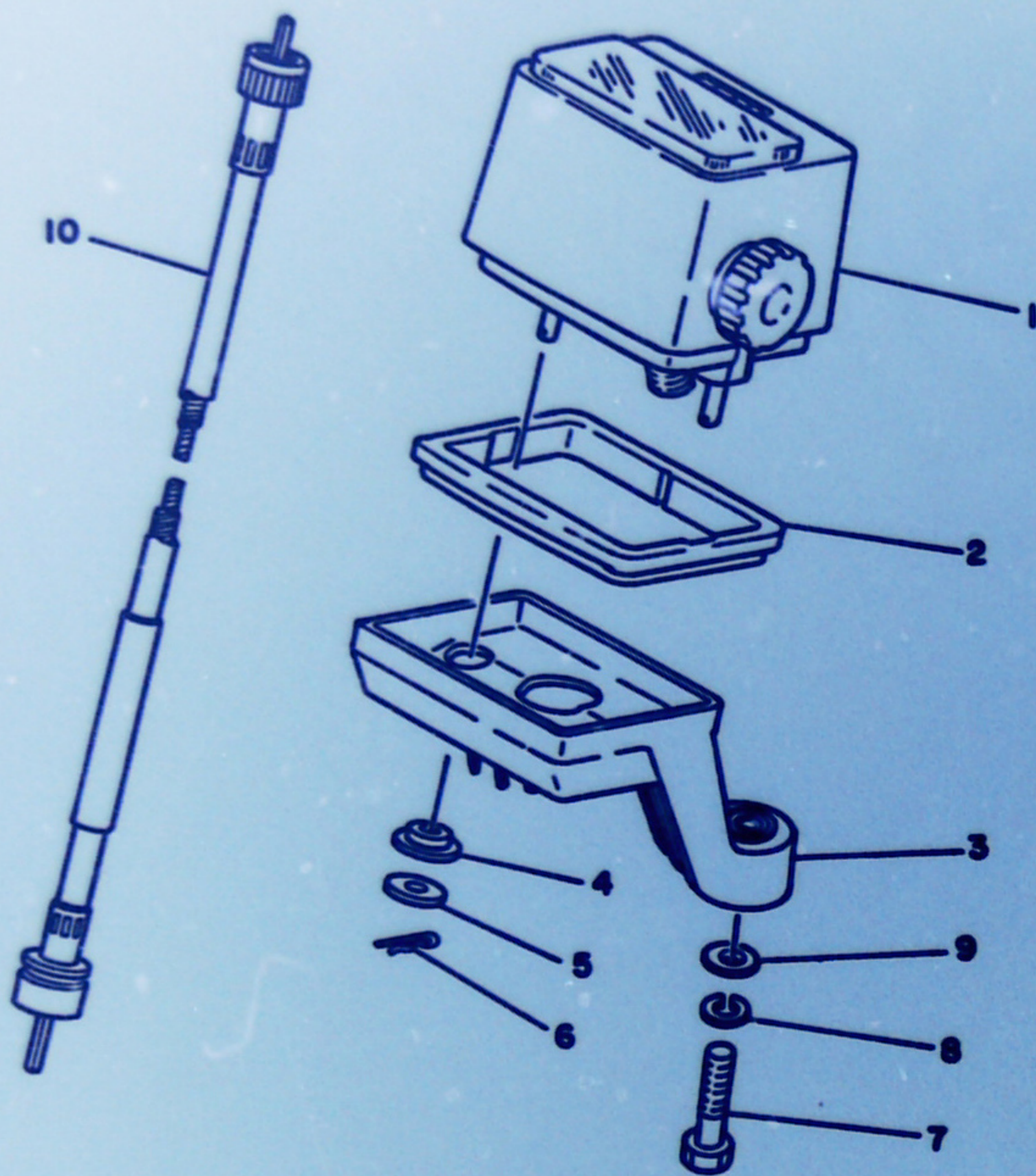
3R9100-3260

D6

FIG. 27 SPEEDOMETER

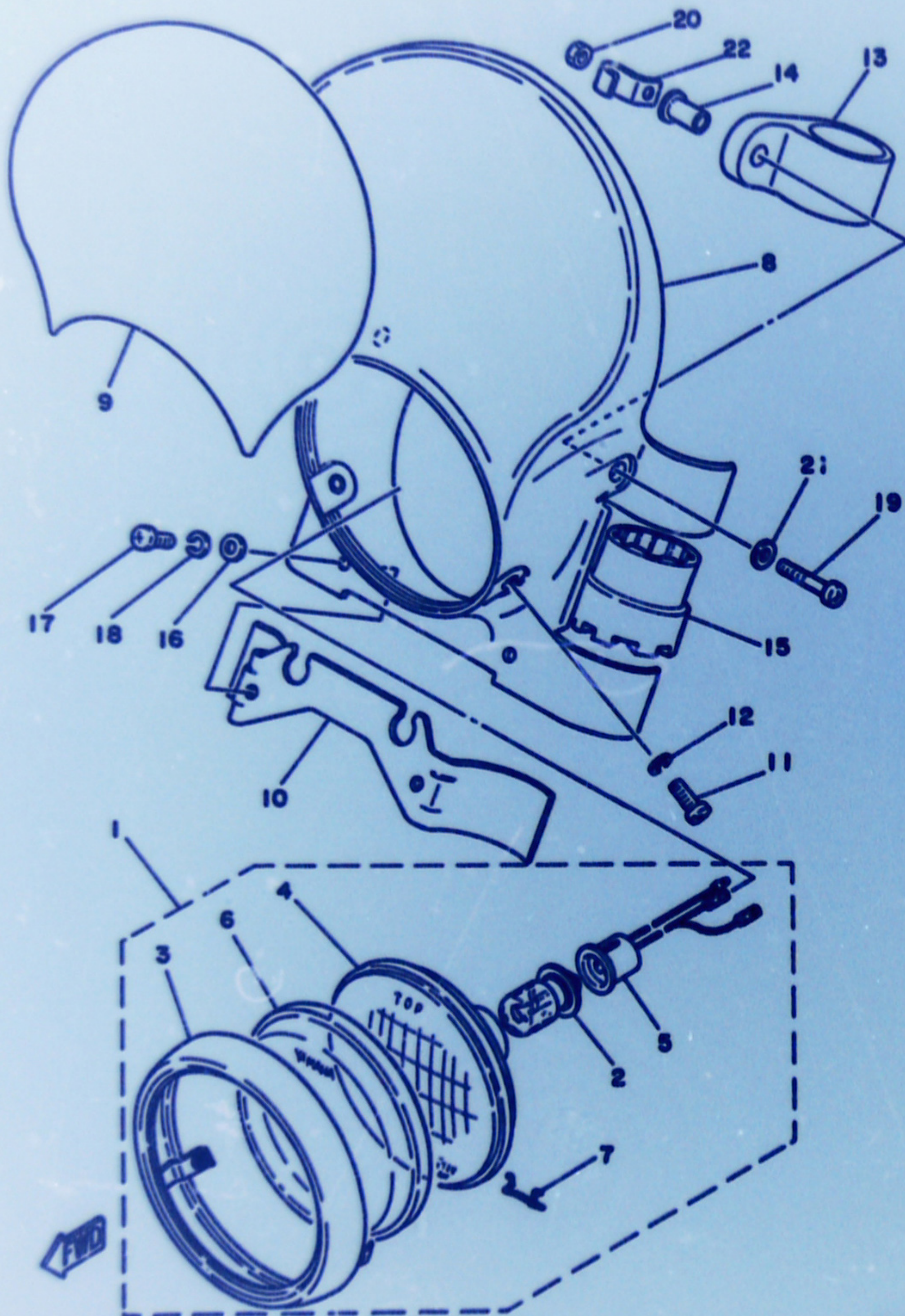
Australian IT Forum

REF. NO.	PART NO.	DESCRIPTION	Q'TY	REMARKS
1	3R8-83570-60	SPEEDOMETER ASSY	1	UR mile/h
	3R8-83570-F0	SPEEDOMETER ASSY	1	UR km/h
2	3R8-83513-00	DAMPER	1	
3	3R8-83519-00	BRACKET, meter	1	
4	1M1-83526-00	DAMPER 2	2	
5	90201-052E2	WASHER, Plate	2	
6	437-83525-00	CLIP	2	
7	97321-06030	BOLT	2	
8	92901-06100	WASHER, sPring	2	
9	92901-06600	WASHER, Plate	2	
10	3R9-83550-50	SPEEDOMETER CABLE ASSY	1	
11	2A6-83595-00	CLAMP	1	
12	97301-06012	BOLT	1	
13	92901-06100	WASHER, sPring	1	
14	92901-06600	WASHER, Plate	1	



3R9100-3270

D7



3R9100-3280

D8

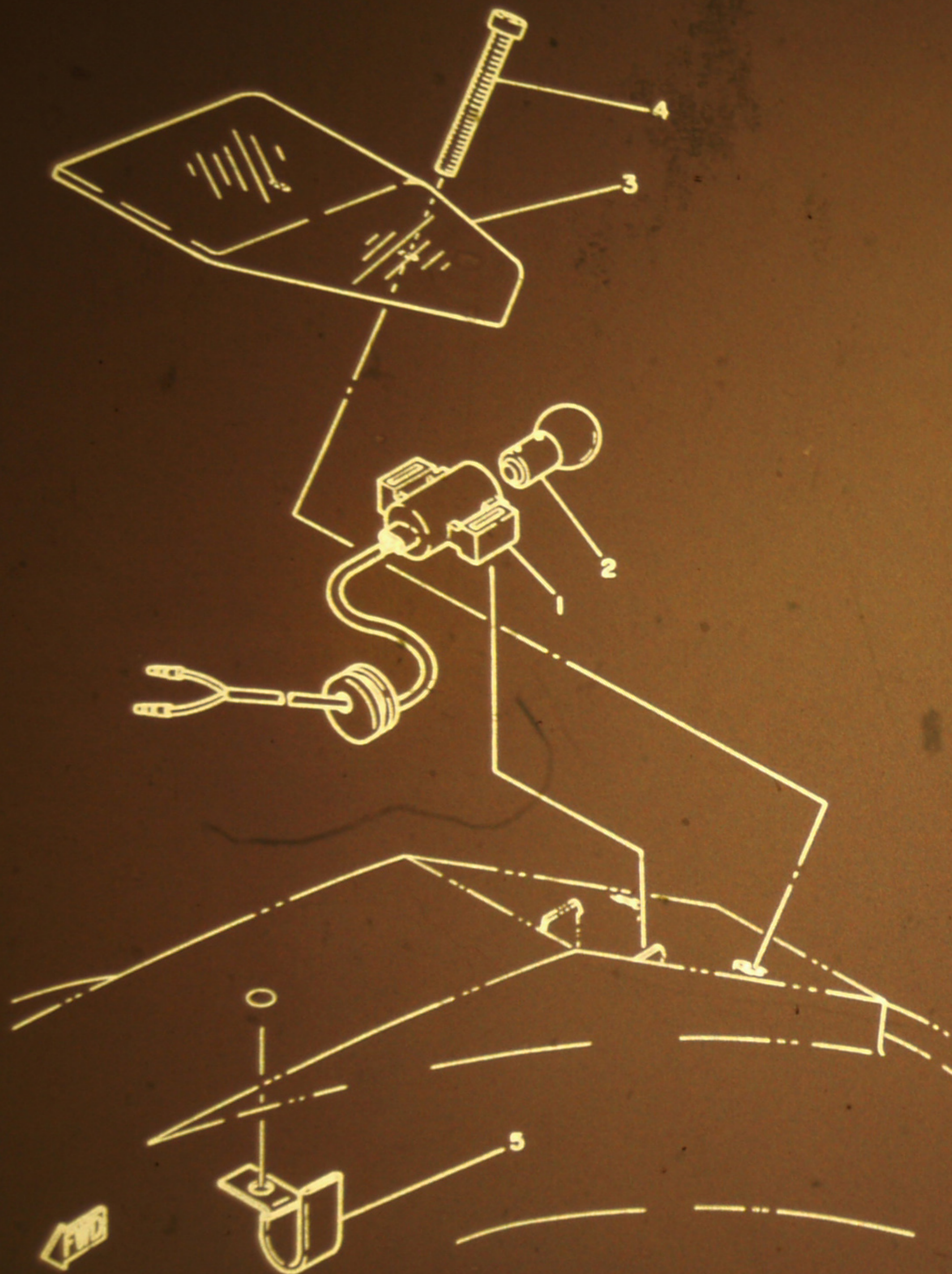
FIG. 28 HEADLIGHT

REF. NO.	PART NO.	DESCRIPTION	Q'TY	REMARKS
1	3R8-84110-61	HEADLIGHT UNIT ASSY	1	
2	527-84114-09	•BULB (6V-25/25W)	1	
3	3R8-84115-60	•RIM, headlight	1	
4	3R8-84120-60	•LENS ASSY	1	
5	3R8-84140-61	•SOCKET CORD ASSY	1	
6	3R8-84144-60	•COVER, headlight	1	
7	1W2-84324-60	•SPRING, lens fitting	4	
8	3R9-84130-00	BODY ASSY, headlight	1	sky blue
9	3R8-84141-01	EMBLEM, headlight	1	
10	3R9-84181-00	BRACKET, lower 1	1	
11	98501-05016	SCREW, Pan head	2	
12	92901-05100	WASHER, sPrinE	2	
13	3R9-84163-10	DAMPER	2	
14	3R8-84133-00	COLLAR, screw	2	
15	3R9-84164-10	DAMPER	2	
16	90201-06571	WASHER, Plate	2	
17	92501-06012	SCREW, Pan head	2	
18	92901-06100	WASHER, sPrinE	2	
19	92501-06030	SCREW, Pan head	2	
20	90185-06062	NUT, self-lockinE	2	
21	90201-06407	WASHER, Plate	2	
22	90462-05005	CLAMP	1	

UK IT OWNERS FACEBOOK GROUP

FIG. 29 TAILLIGHT

REF. NO.	PART NO.	DESCRIPTION	Q'TY	REMARKS
1	3R9-84536-00	SOCKET CORD ASSY	1	
2	3R9-84514-00	BULB, tail lamp (6V-5W)	1	
3	3R9-84521-00	LENS, taillight	1	
4	98501-04035	SCREW, Pan head	2	
5	90462-05005	CLAMP	1	

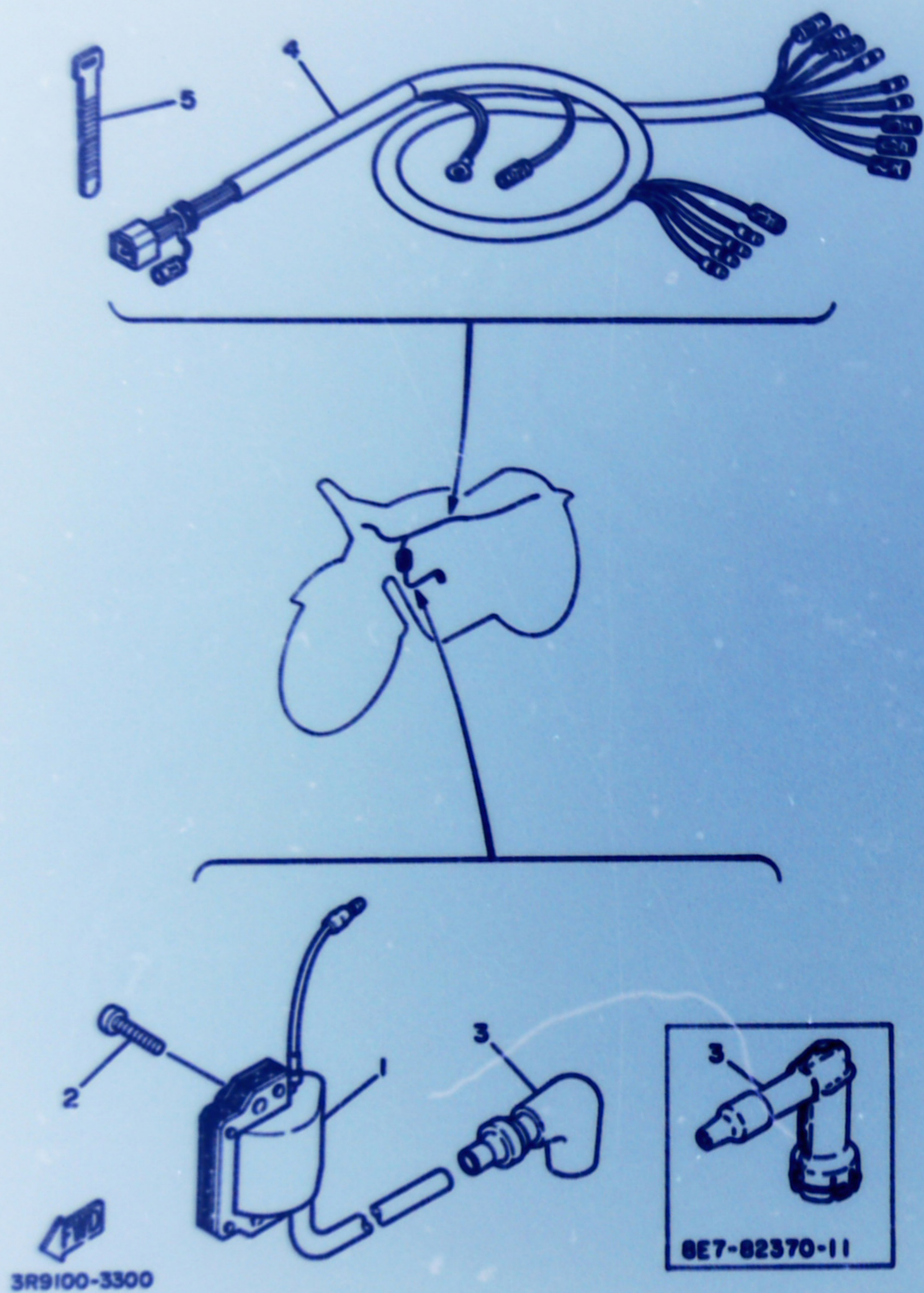


3R9100-3290

D9

FIG. 30 ELECTRICAL 1

REF. NO.	PART NO.	DESCRIPTION	Q'TY	REMARKS
1	4V5-82310-40	IGNITION COIL ASSY	1	
2	92501-06020	SCREW, Pan head	2	
3	3R0-82370-20	PLUG CAP ASSY	1	UR
	8E7-82370-11	PLUG CAP ASSY	1	UR with noise suppressor
4	3R9-82590-01	WIRE HARNESS ASSY	1	
5	437-83936-00	BAND, switch cord	4	



D10

FIG. 31 HANDLE SWITCH-LEVER

REF. NO.	PART NO.	DESCRIPTION	Q'TY	REMARKS
1	461-82911-00	HOLDER, lever 1	1	
2	3M2-83912-00	LEVER 1	1	
3	90201-08083	WASHER, Plate	1	
4	90109-06410	BOLT	1	
5	95601-06100	NUT, u	1	
6	97301-06022	BOLT	1	
7	92901-06100	WASHER, sPring	1	
8	516-82921-30	HOLDER, lever 2	1	low Gloss black
9	3M2-83922-00	LEVER 2	1	
10	90201-08083	WASHER, Plate	1	
11	90109-06410	BOLT	1	
12	95601-06100	NUT, u	1	
13	97301-06022	BOLT	1	
14	92901-06100	WASHER, sPring	1	
15	3R8-83973-00	SWITCH, handle 3	1	
16	98506-05022	•SCREW, Pan head	2	
17	437-83936-00	BAND, switch cord	2	

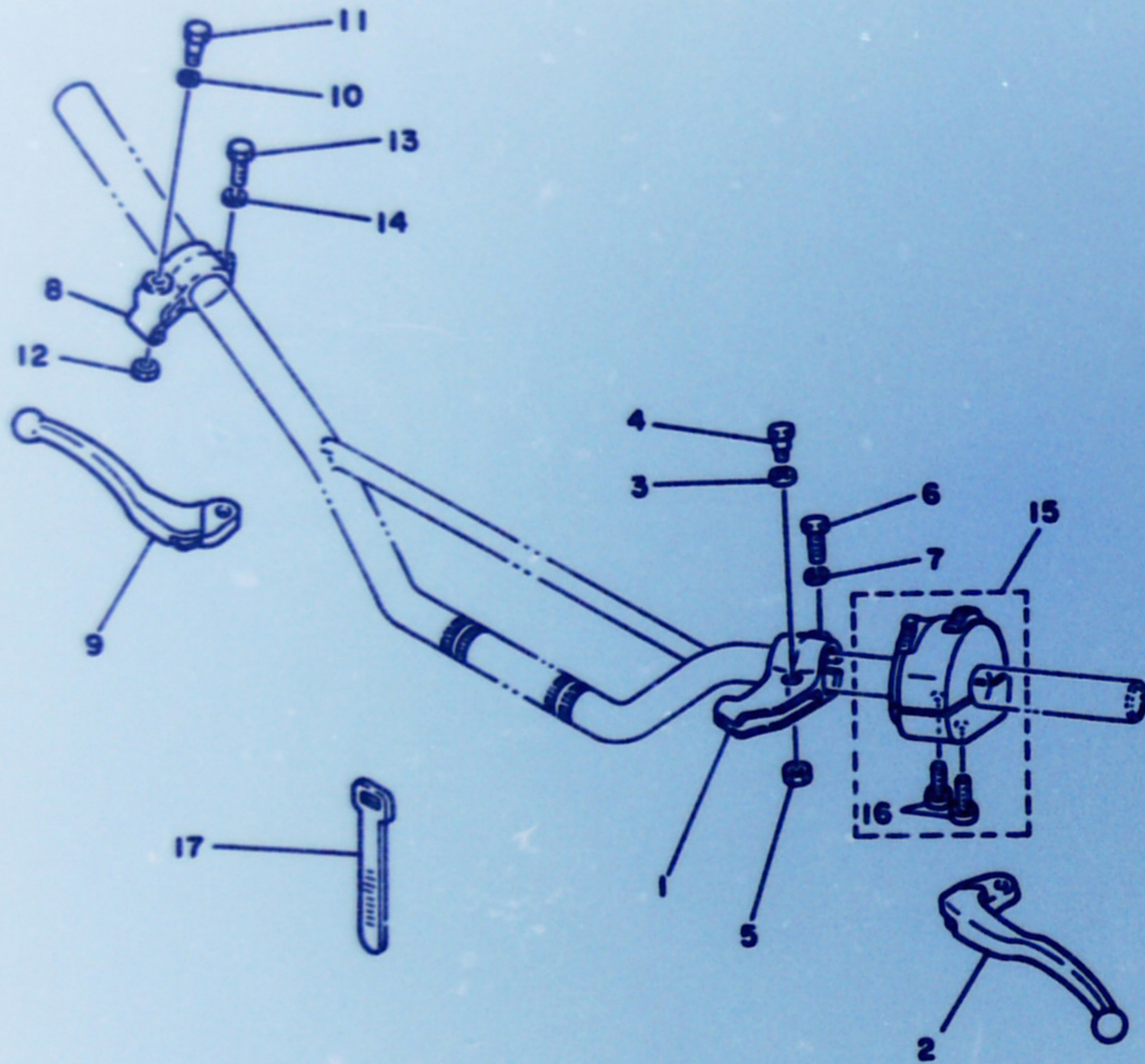


FIG. 32 REPAIR KIT

REF. NO.	PART NO.	DESCRIPTION	Q'TY	REMARKS
1	3R9-11630-00	PISTON ASSY (STD)	1	
2	3R9-11631-00-96	.PISTON (STD)	1	
3	3R9-11610-00	.PISTON RING SET (STD)	1	
4	137-11633-00	.PIN, Piston	1	
5	93450-17044	.CIRCLIP	2	
6	3R9-11630-10	PISTON ASSY (1ST O/S)	1	
7	3R9-11635-00	.PISTON (1ST O/S 0.25MM)	1	
8	3R9-11610-10	.PISTON RING SET (1ST O/S)	1	
9	137-11633-00	.PIN, Piston	1	
10	93450-17044	.CIRCLIP	2	
11	3R9-11630-20	PISTON ASSY (2ND O/S)	1	
12	3R9-11636-00	.PISTON (2ND O/S 0.50MM)	1	
13	3R9-11610-20	.PISTON RING SET (2ND O/S)	1	
14	137-11633-00	.PIN, Piston	1	
15	93450-17044	.CIRCLIP	2	
16	3R9-11630-30	PISTON ASSY (3RD O/S)	1	
17	3R9-11637-00	.PISTON (3RD O/S 0.75MM)	1	
18	3R9-11610-30	.PISTON RING SET (3RD O/S)	1	
19	137-11633-00	.PIN, Piston	1	
20	93450-17044	.CIRCLIP	2	
21	3R9-11630-40	PISTON ASSY (4TH O/S)	1	
22	3R9-11638-00	.PISTON (4TH O/S 1.00MM)	1	
23	3R9-11610-40	.PISTON RING SET (4TH O/S)	1	
24	137-11633-00	.PIN, Piston	1	
25	93450-17044	.CIRCLIP	2	
26	3R2-11650-00	CONNECTING ROD ASSY	1	
27	3R2-11651-00	.ROD, connecting	1	

FIG. 32 REPAIR KIT

REF. NO.	PART NO.	DESCRIPTION	Q'TY	REMARKS
28	3M5-11681-00	.PIN, crank 1	1	
29	93310-422H0	.BEARING, cylindrical	1	
30	90209-22071	.WASHER	2	
31	93310-216J2	.BEARING, cylindrical	1	
32	3R9-W0001-01	GASKET KIT	1	
33	2X3-11181-00	.GASKET, cylinder head 1	1	
34	1W1-11351-00	.GASKET, cylinder	1	
35	10V-13621-00	.GASKET, valve seat	1	
36	3R3-14613-00	.GASKET, exhaust Pipe	1	
37	90430-12038	.GASKET	1	
38	1W1-15455-00	.GASKET, crankcase cover	1	
39	1W1-15451-00	.GASKET, crankcase cover	1	
40	93210-14104	.O-RING	1	