



YAMAHA

PARTS CATALOGUE

IT125H (3R9)

A2

FOREWORD

This Parts Catalogue is related to the parts in use for the Yamaha IT 125H (3R9).
When you are ordering replacement parts for the IT 125H (3R9), refer to this Parts Catalogue and quote both part numbers and part names correctly.

1. Modifications or additions which have been made after issue of the Parts Catalogue will be announced in the Yamaha Parts News.

It is advisable that according to the Yamaha Parts News you make necessary corrections to the Parts Catalogue on hand to keep it up-to-date.

2. Abbreviations

The following abbreviations are used in this Parts Catalogue.

- U.R. Use size (thickness) and/or number as required.
- U.N. Use as many as you need.
- A.P. Alternate Parts
- L.M. Local Made
- F# Frame No. (Applicable machine No.)

3. The parts marked with (+) in the parts number column of this Catalogue are not supplied with by Yamaha, those have to be found locally.

4. Parts, which are to be supplied in the form of assemblies, are listed with an indentation of one letter's space, and a dot (.) is put against the name of each part.

EXAMPLE CARBURETOR ASS'Y
 . JET, pilot
 . NOZZLE, main

5. Indication of No. of constituent parts for assembly

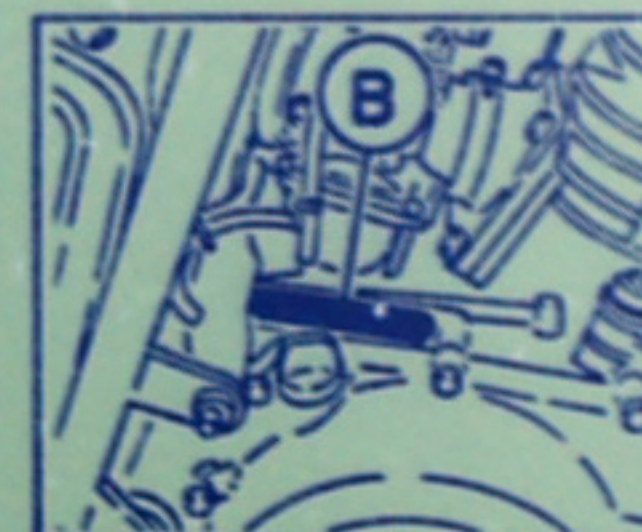
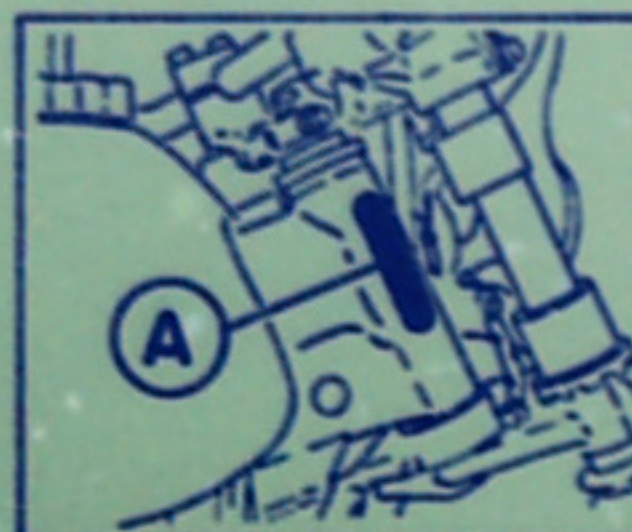
The numeral appearing to the right of each constituent part under the description indicates the quantity of such parts for each individual assembly unit.

EXAMPLE

| Part No. | Description | Q'ty | Remarks |
|--------------|---------------------------|------|---------|
| 2F5-83310-60 | FRONT FLASHER LIGHT ASS'Y | 2 | |
| 115-83311-60 | . BULB (6V-18W) | 1 | |
| 1M1-83309-60 | . REFLECTOR | 1 | |

6. Initial Serial No. and Color Code

| | |
|-----------------------|--------------------------|
| (A) Frame Serial No. | 3R9-050101 and following |
| (B) Engine Serial No. | 3R9-050101 and following |



| Color Code | Color Name | Abbreviate |
|------------|------------|------------|
| | Sky Blue | |

7. Applicable colors of graphics are represented in the "Remarks" column by the letter(s) appropriately picked out of the full word(s) showing such colors.

EXAMPLE

| Part No. | Description | Q'ty | Remarks |
|-----------------|--------------------------|------|-----------|
| 2N4-24110-00-X5 | FUEL TANK COMP. | 1 | MAXIM RED |
| 3J1-24240-10 | . GRAPHIC, fuel tank set | 1 | for MXR |

CONTENTS

ENGINE

| | |
|---------------------------|-----------|
| Cylinder | B2 |
| Crankshaft · Piston | B3 ~ B4 |
| C.D.I Magneto | B5 |
| Intake | B6 |
| Carburetor | B7 ~ B8 |
| Exhaust | B9 |
| Crankcase | B10 |
| Crankcase Cover | B11 |
| Kick Starter | B12 |
| Clutch | B13 |
| Transmission | B14 ~ B15 |
| Shift Cam · Fork | C2 |
| Shift Shaft · Pedal | C3 |

CHASSIS

| | |
|----------------------------------|-----------|
| Frame | C4 |
| Front Fender · Rear Fender | C5 |
| Side Cover | C6 |
| Rear Arm | C7 |
| Rear Suspension | C8 |
| Steering | C9 |
| Front Fork | C10 |
| Fuel Tank | C11 ~ C12 |
| Seat · Carrier | C13 |
| Front Wheel | C14 ~ C15 |
| Rear Wheel | D2 ~ D3 |
| Handlebar · Cable | D4 ~ D5 |
| Stand · Footrest | D6 |
| Speedometer | D7 |

| | |
|-----------------------------|-----|
| Headlight | D8 |
| Taillight | D9 |
| Electrical 1 | D10 |
| Handle Switch · Lever | D11 |

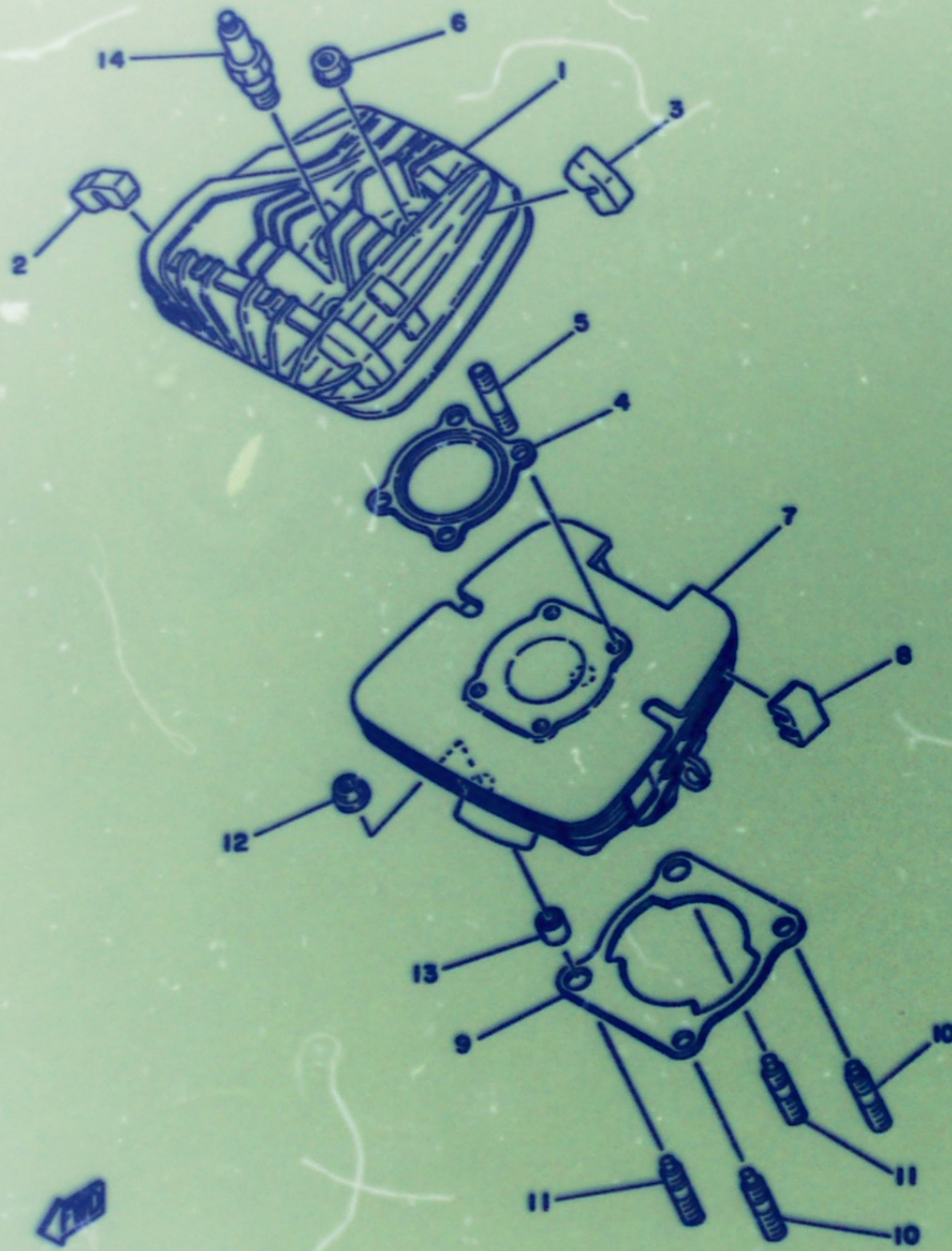
REPAIR KIT

| | |
|------------------|-----------|
| Repair Kit | D12 ~ D13 |
|------------------|-----------|

INDEX

| | |
|------------------------|-----------|
| Numerical Index | M1 ~ M3 |
| Parts Name Index | M11 ~ M16 |

FIG. 1 CYLINDER

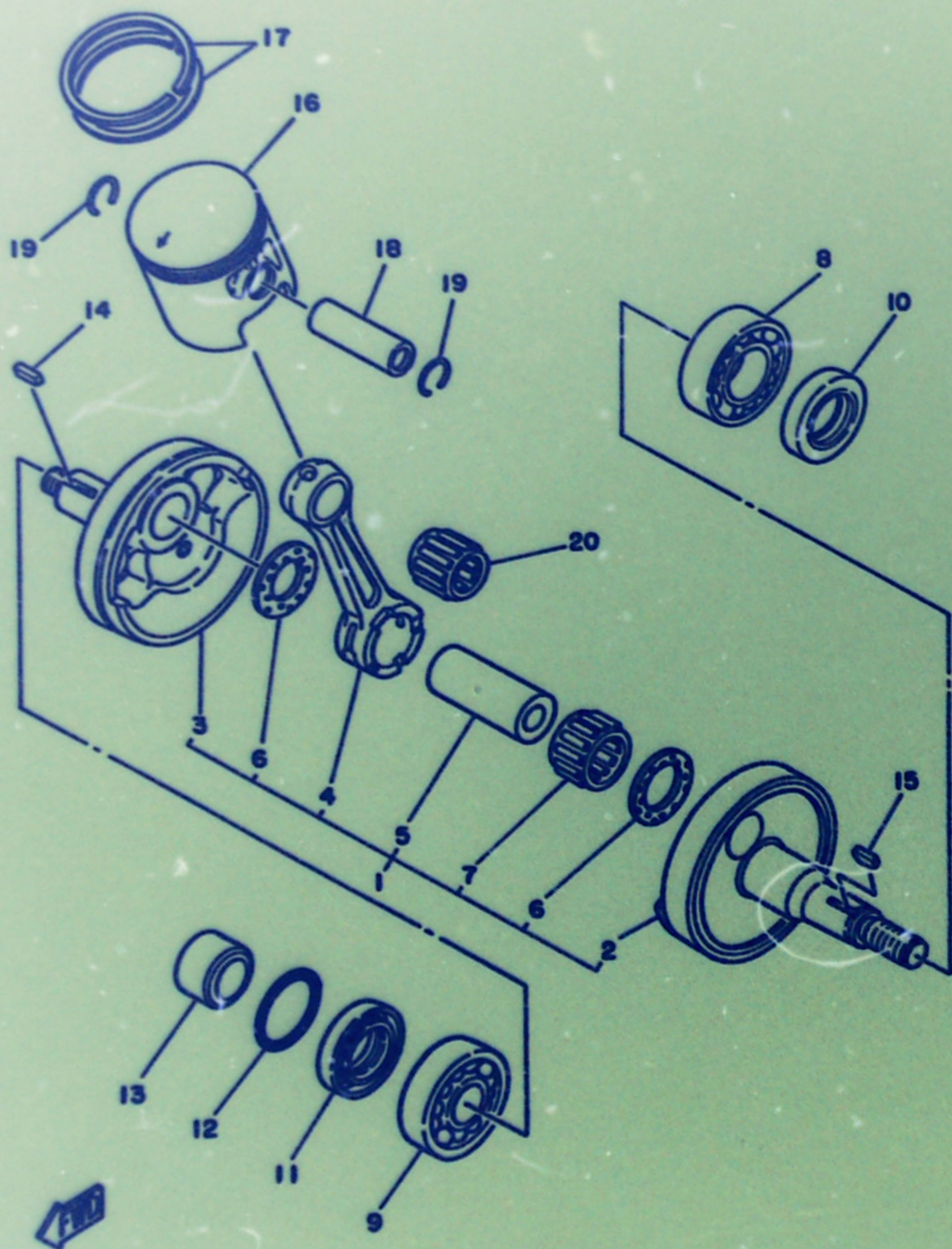


| REF. NO. | PART NO. | DESCRIPTION | Q'TY | REMARKS |
|----------|--------------|----------------------------|------|---------|
| 1 | 3R9-11111-00 | HEAD, cylinder 1 | 1 | |
| 2 | 1W2-11161-00 | ABSORBER 1 | 2 | |
| 3 | 1W2-11127-00 | ABSORBER 3 | 1 | |
| 4 | 2X3-11181-00 | GASKET, cylinder head 1 | 1 | |
| 5 | 90116-08321 | BOLT, stud | 4 | |
| 6 | 90179-08299 | NUT | 4 | |
| 7 | 3R9-11311-00 | CYLINDER 1 | 1 | |
| 8 | 3R9-11162-00 | ABSORBER 2 | 5 | |
| 9 | 1W1-11351-00 | GASKET, cylinder | 1 | |
| 10 | 90116-10278 | BOLT, stud | 2 | |
| 11 | 90116-10279 | BOLT, stud | 2 | |
| 12 | 90179-10272 | NUT | 4 | |
| 13 | 91830-24016 | PIN, dowel | 2 | |
| 14 | * | PLUG, sPark (CHAMPION N2G) | 1 | LM |

B2

FIG. 2 CRANKSHAFT-PISTON

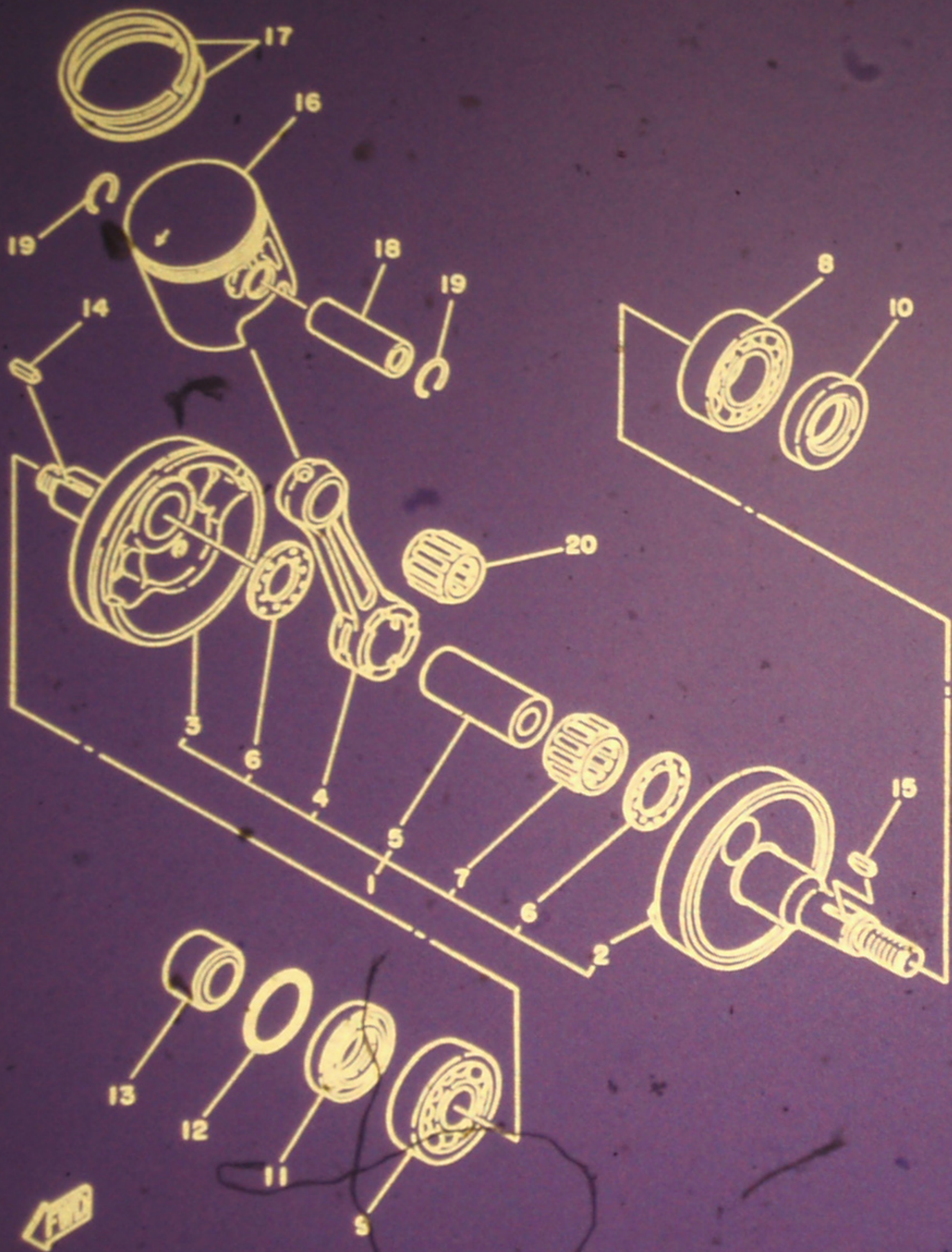
| REF. NO. | PART NO. | DESCRIPTION | Q'TY | REMARKS |
|----------|-----------------|---------------------------|------|---------|
| 1 | 3R9-11400-00 | CRANKSHAFT ASSY | 1 | |
| 2 | 1W1-11412-01 | •CRANK 1 | 1 | |
| 3 | 1W1-11422-01 | •CRANK 2 | 1 | |
| 4 | 1G8-11651-00 | •ROD, connecting | 1 | |
| 5 | 3M5-11681-00 | •PIN, crank 1 | 1 | |
| 6 | 90209-22071 | •WASHER | 2 | |
| 7 | 93310-422H0 | •BEARING, cylindrical | 1 | |
| 8 | 93306-20529 | BEARING (B6205C4) | 1 | |
| 9 | 93306-30406 | BEARING (B6304C3) | 1 | |
| 10 | 93102-25144 | OIL SEAL | 1 | |
| 11 | 93103-28100 | OIL SEAL | 1 | |
| 12 | 93210-18023 | O-RING | 1 | |
| 13 | 90387-20488 | COLLAR | 1 | |
| 14 | 90282-05005 | KEY, straight | 1 | |
| 15 | 90280-03017 | KEY, woodruff | 1 | |
| 16 | 3R9-11631-00-96 | PISTON (STD) | 1 | UR |
| | 3R9-11631-00-97 | PISTON (STD) | 1 | UR |
| | 3R9-11635-00 | PISTON (1ST O/S 0.25MM) | 1 | AP |
| | 3R9-11636-00 | PISTON (2ND O/S 0.50MM) | 1 | AP |
| | 3R9-11637-00 | PISTON (3RD O/S 0.75MM) | 1 | AP |
| | 3R9-11638-00 | PISTON (4TH O/S 1.00MM) | 1 | AP |
| 17 | 3R9-11610-00 | PISTON RING SET (STD) | 1 | |
| | 3R9-11610-10 | PISTON RING SET (1ST O/S) | 1 | AP |
| | 3R9-11610-20 | PISTON RING SET (2ND O/S) | 1 | AP |
| | 3R9-11610-30 | PISTON RING SET (3RD O/S) | 1 | AP |
| | 3R9-11610-40 | PISTON RING SET (4TH O/S) | 1 | AP |
| 18 | 137-11633-00 | PIN, Piston | 1 | |
| 19 | 93450-17044 | CIRCLIP | 2 | |



B3

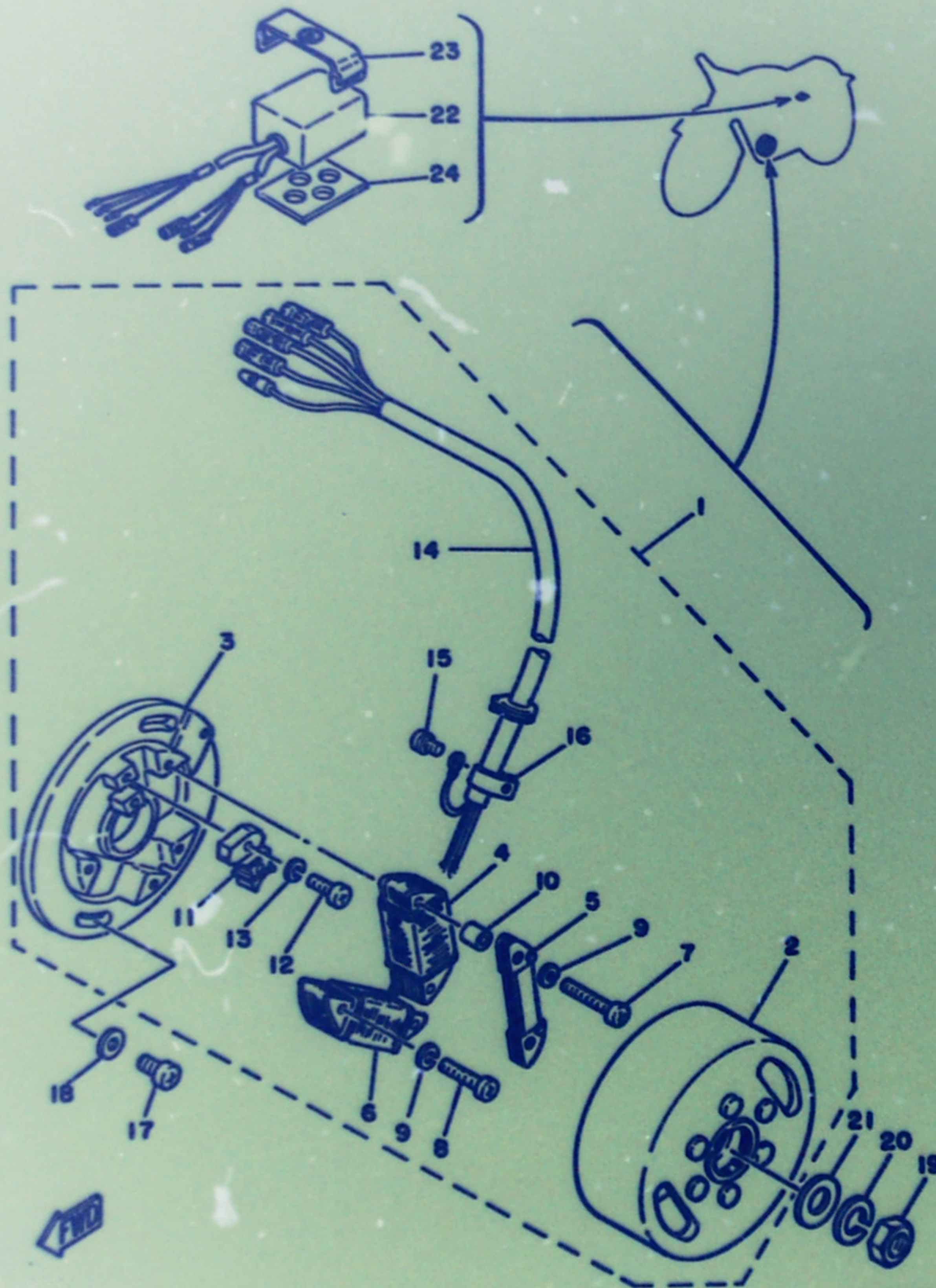
FIG. 2 CRANKSHAFT-PISTON

| REF. NO. | PART NO. | DESCRIPTION | Q'TY | REMARKS |
|----------|-------------|----------------------|------|---------|
| 20 | 93310-216A3 | BEARING, cylindrical | 1 | |



B4

FIG. 3 C.D.I MAGNETO

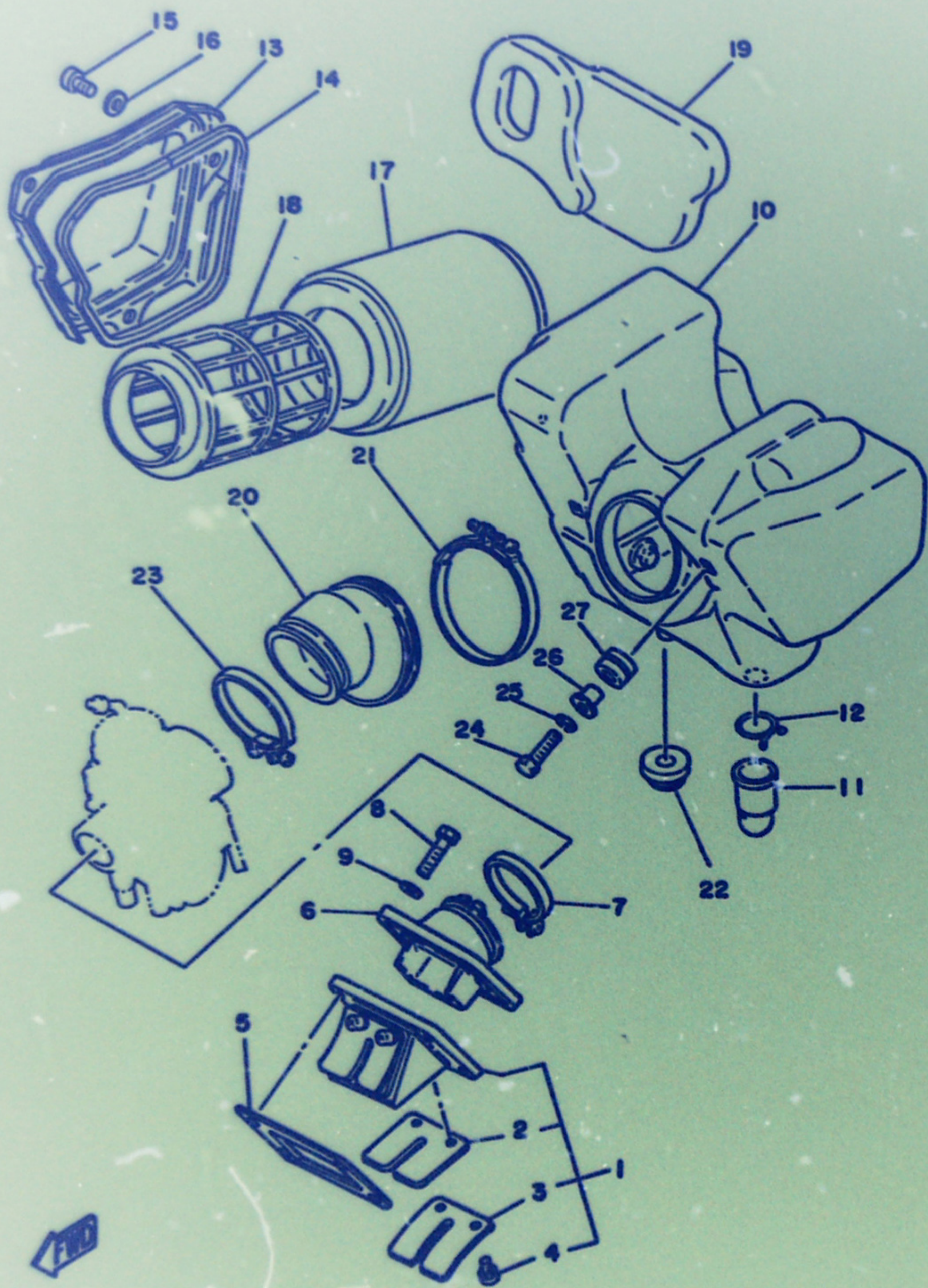


| REF. NO. | PART NO. | Australian IT Forum DESCRIPTION | Q'TY | REMARKS |
|----------|--------------|---------------------------------|------|---------|
| 1 | 2W6-85500-20 | C.D.I. MAGNETO ASSY | 1 | |
| 2 | 1W2-85550-20 | •ROTOR ASSY | 1 | |
| 3 | 1W2-85509-20 | •BASE, magneto | 1 | |
| 4 | 2W6-85511-20 | •COIL, source | 1 | |
| 5 | 2W6-85512-20 | •COIL, source | 1 | |
| 6 | 1W2-85513-20 | •COIL, lighting 1 | 1 | |
| 7 | 98501-04035 | •SCREW, Pan head | 2 | |
| 8 | 98501-04030 | •SCREW, Pan head | 2 | |
| 9 | 92901-04100 | •WASHER, sPring | 4 | |
| 10 | 1W2-85516-20 | •SPACER | 2 | |
| 11 | 2W6-85580-20 | •COIL, Pulser | 1 | |
| 12 | 98501-04014 | •SCREW, Pan head | 2 | |
| 13 | 92901-04100 | •WASHER, sPring | 2 | |
| 14 | 2W6-85515-20 | •LEAD WIRE ASSY | 1 | |
| 15 | 110-81345-21 | •SCREW, Pan head | 1 | |
| 16 | 445-81328-20 | •CLAMP | 1 | |
| 17 | 92501-06015 | SCREW, Pan head | 2 | |
| 18 | 92901-06600 | WASHER, Plate | 2 | |
| 19 | 90170-12067 | NUT | 1 | |
| 20 | 92901-12100 | WASHER, sPring | 1 | |
| 21 | 90201-12593 | WASHER, Plate | 1 | |
| 22 | 2W6-85540-20 | C.D.I. UNIT ASSY | 1 | |
| 23 | 288-21376-00 | BAND, tool | 1 | |
| 24 | 2K7-85547-00 | DAMPER | 1 | |

B5

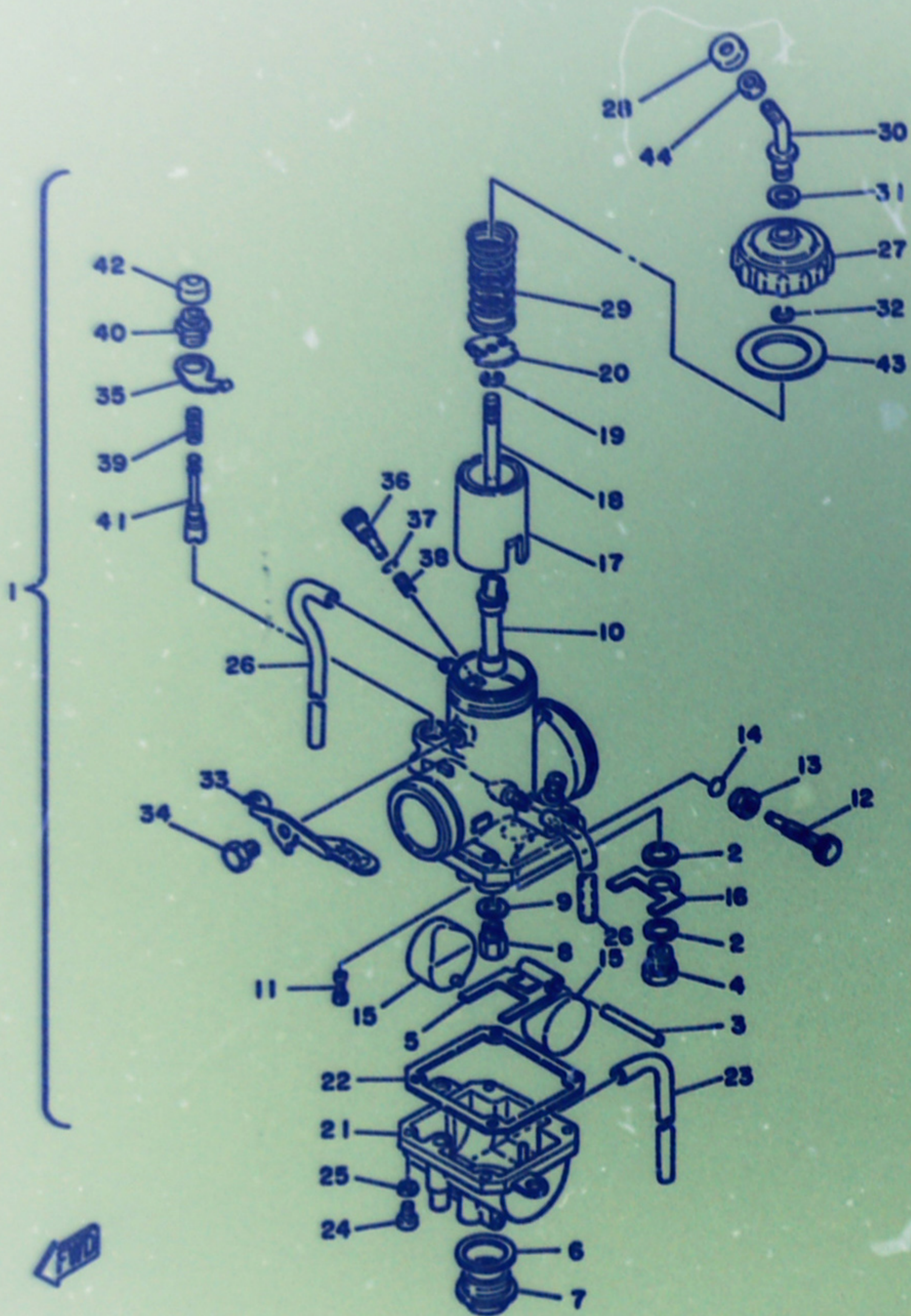
FIG. 4 INTAKE

| REF. NO. | PART NO. | DESCRIPTION | Q'TY | REMARKS |
|----------|--------------|------------------------------|------|---------|
| 1 | 1L8-13610-00 | REED VALVE ASSY | 1 | |
| 2 | 1L8-13613-00 | •REED, valve | 2 | |
| 3 | 311-13616-01 | •STOPPER, reed valve | 2 | |
| 4 | 97602-03108 | •SCREW, Pan head with washer | 4 | |
| 5 | 311-13621-01 | GASKET, valve seat | 1 | |
| 6 | 537-13565-01 | JOINT, carburetor | 1 | |
| 7 | 90460-43053 | CLAMP, hose | 1 | |
| 8 | 97301-06025 | BOLT | 4 | |
| 9 | 92901-06600 | WASHER, Plate | 4 | |
| 10 | 3R9-14401-00 | AIR CLEANER CASE ASSY | 1 | |
| 11 | 3R4-14452-00 | SEAL | 1 | |
| 12 | 90467-20030 | CLIP | 1 | |
| 13 | 3R9-14412-00 | CAP, cleaner case 1 | 1 | |
| 14 | 3R9-14452-00 | SEAL. | 1 | |
| 15 | 92501-06012 | SCREW, Pan head | 3 | |
| 16 | 92901-06600 | WASHER, Plate | 3 | |
| 17 | 3R9-14451-00 | ELEMENT, air cleaner | 1 | |
| 18 | 3R9-14458-00 | GUIDE | 1 | |
| 19 | 3R9-14468-00 | PLATE, element fitting | 1 | |
| 20 | 3R9-14453-00 | JOINT, air cleaner 1 | 1 | |
| 21 | 90460-75020 | CLAMP, hose | 1 | |
| 22 | 90480-18171 | GROMMET | 1 | |
| 23 | 90460-54125 | CLAMP, hose | 1 | |
| 24 | 97301-06020 | BOLT | 2 | |
| 25 | 92901-06100 | WASHER, sPring | 2 | |
| 26 | 90387-07391 | COLLAR | 2 | |
| 27 | 90480-14102 | GROMMET | 2 | |



B6

FIG. 5 CARBURETOR

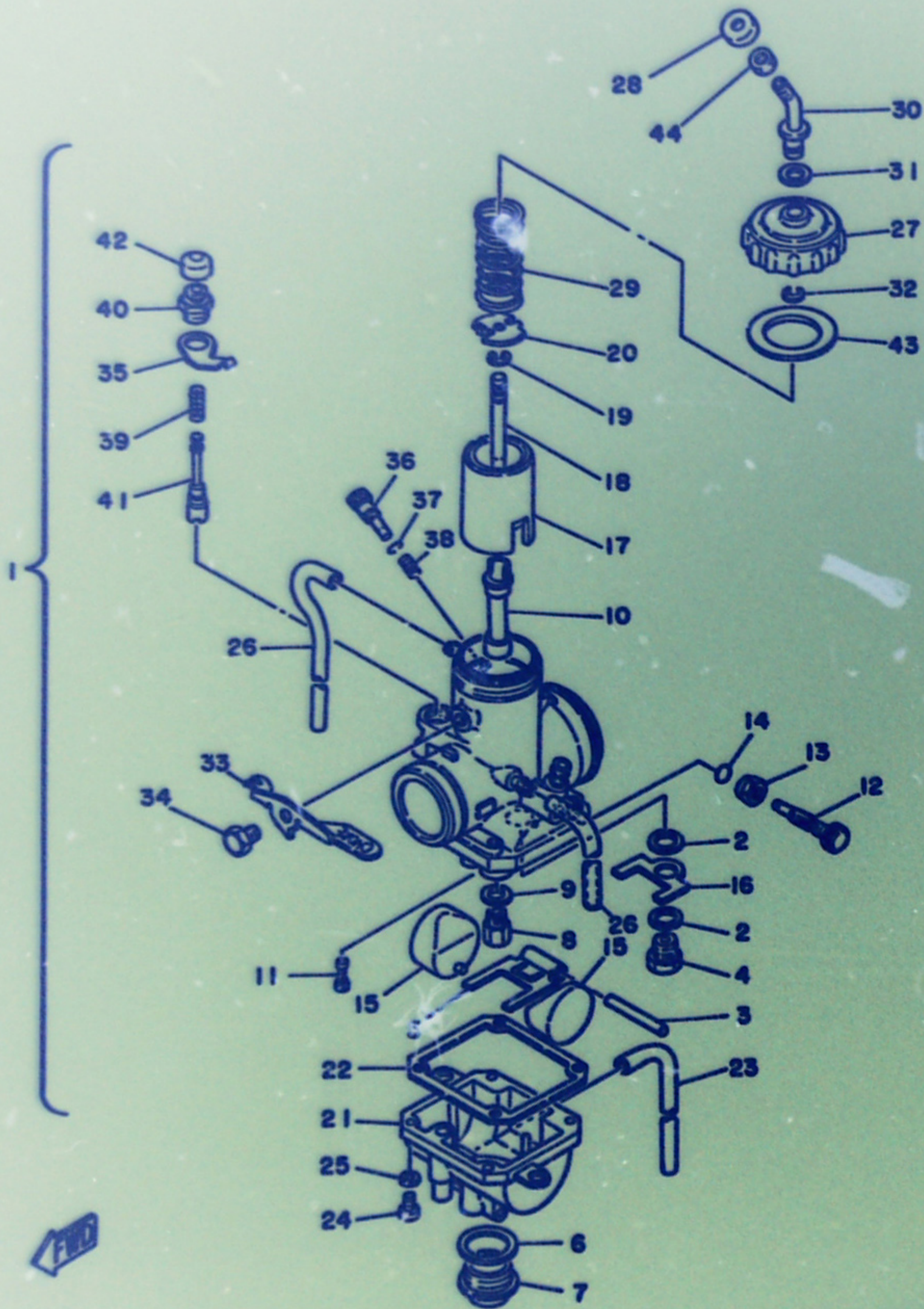


| REF. NO. | PART NO. | DESCRIPTION | Q'TY | REMARKS |
|----------|--------------|------------------------|------|---------|
| 1 | 3R9-14101-00 | CARBURETOR ASSY 1 | 1 | |
| 2 | 214-14195-00 | •WASHER, needle valve | 2 | |
| 3 | 537-14186-00 | •PIN, float | 1 | |
| 4 | 168-14190-28 | •NEEDLE VALVE ASSY | 1 | |
| 5 | 2K5-14137-00 | •ARM, float | 1 | |
| 6 | 278-14117-00 | •WASHER, Plus screw | 1 | |
| 7 | 537-14115-00 | •PLUG, screw | 1 | |
| 8 | 137-14143-40 | •JET, main (#200) | 1 | UR STD |
| | 137-14143-38 | •JET, main (#190) | 1 | UR |
| | 137-14143-42 | •JET, main (#210) | 1 | UR |
| 9 | 537-14153-00 | •WASHER, main Jet | 1 | |
| 10 | 278-14141-52 | •NOZZLE, main | 1 | |
| 11 | 193-14142-40 | •JET, Pilot (#40.0) | 1 | |
| 12 | 537-14122-00 | •SCREW, throttle | 1 | |
| 13 | 537-14161-00 | •NUT, throttle screw | 1 | |
| 14 | 214-14147-00 | •O-RING | 1 | |
| 15 | 280-14185-00 | •FLOAT | 2 | |
| 16 | 537-14146-00 | •PLATE | 1 | |
| 17 | 537-14112-20 | •VALVE, throttle 1 | 1 | |
| 18 | 1J4-14116-19 | •NEEDLE | 1 | |
| 19 | 164-14137-00 | •CLIP | 1 | |
| 20 | 537-14136-00 | •SEAT, sPrinE | 1 | |
| 21 | 537-14181-16 | •BODY, float chamber 1 | 1 | |
| 22 | 537-14184-00 | •GASKET, float chamber | 1 | |
| 23 | 183-14197-01 | •PIPE | 1 | |
| 24 | 98501-04016 | •SCREW, Pan head | 4 | |
| 25 | 92902-04100 | •WASHER, sPrinE | 4 | |
| 26 | 310-14196-00 | •PIPE | 2 | |

B7

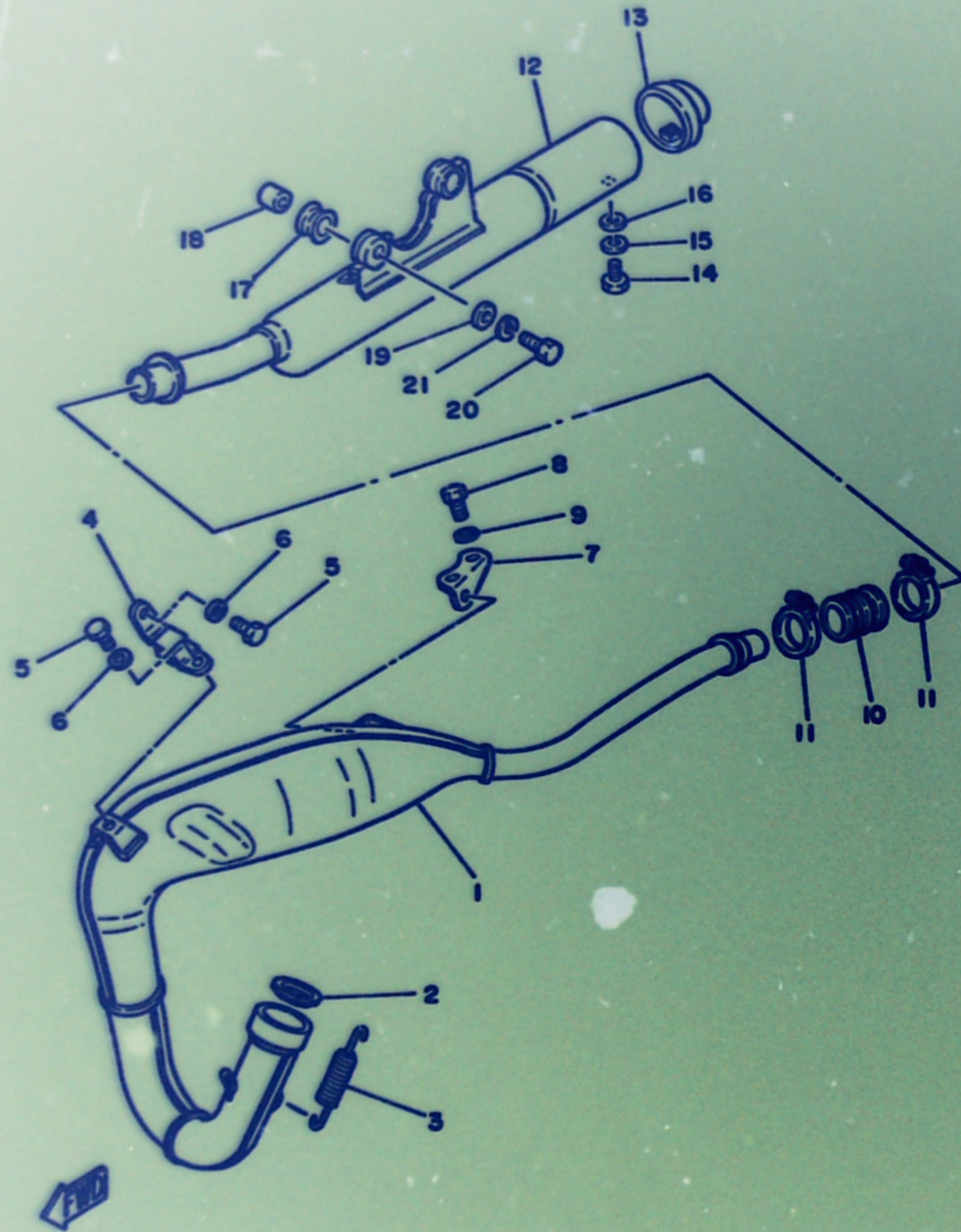
FIG. 5 CARBURETOR

| REF. NO. | PART NO. | DESCRIPTION | Q'TY | REMARKS |
|----------|--------------|-------------------------|------|---------|
| 27 | 2K5-14158-00 | •TOP, mixing chamber | 1 | |
| 28 | 1M1-14169-00 | •CAP | 1 | |
| 29 | 537-14131-00 | •SPRING, throttle valve | 1 | |
| 30 | 2K5-14155-00 | •HOLDER, Guide | 1 | |
| 31 | 363-14198-00 | •GASKET | 1 | |
| 32 | 363-14137-00 | •CLIP | 1 | |
| 33 | 537-14175-00 | •LEVER, starter 1 | 1 | |
| 34 | 537-14162-00 | •BOLT, starter lever | 1 | |
| 35 | 537-14178-00 | •PLATE, starter lever | 1 | |
| 36 | 525-14123-00 | •SCREW, air adjusting | 1 | |
| 37 | 354-14147-00 | •O-RING | 1 | |
| 38 | 174-14134-00 | •SPRING, air adjusting | 1 | |
| 39 | 500-14135-00 | •SPRING, Plunger | 1 | |
| 40 | 802-14174-00 | •CAP, Plunger | 1 | |
| 41 | 174-14171-00 | •PLUNGER, starter | 1 | |
| 42 | 802-14173-00 | •COVER, Plunger caP | 1 | |
| 43 | 2K5-14198-00 | •GASKET | 1 | |
| 44 | 127-14161-00 | •NUT, cable adjusting | 1 | |



B8

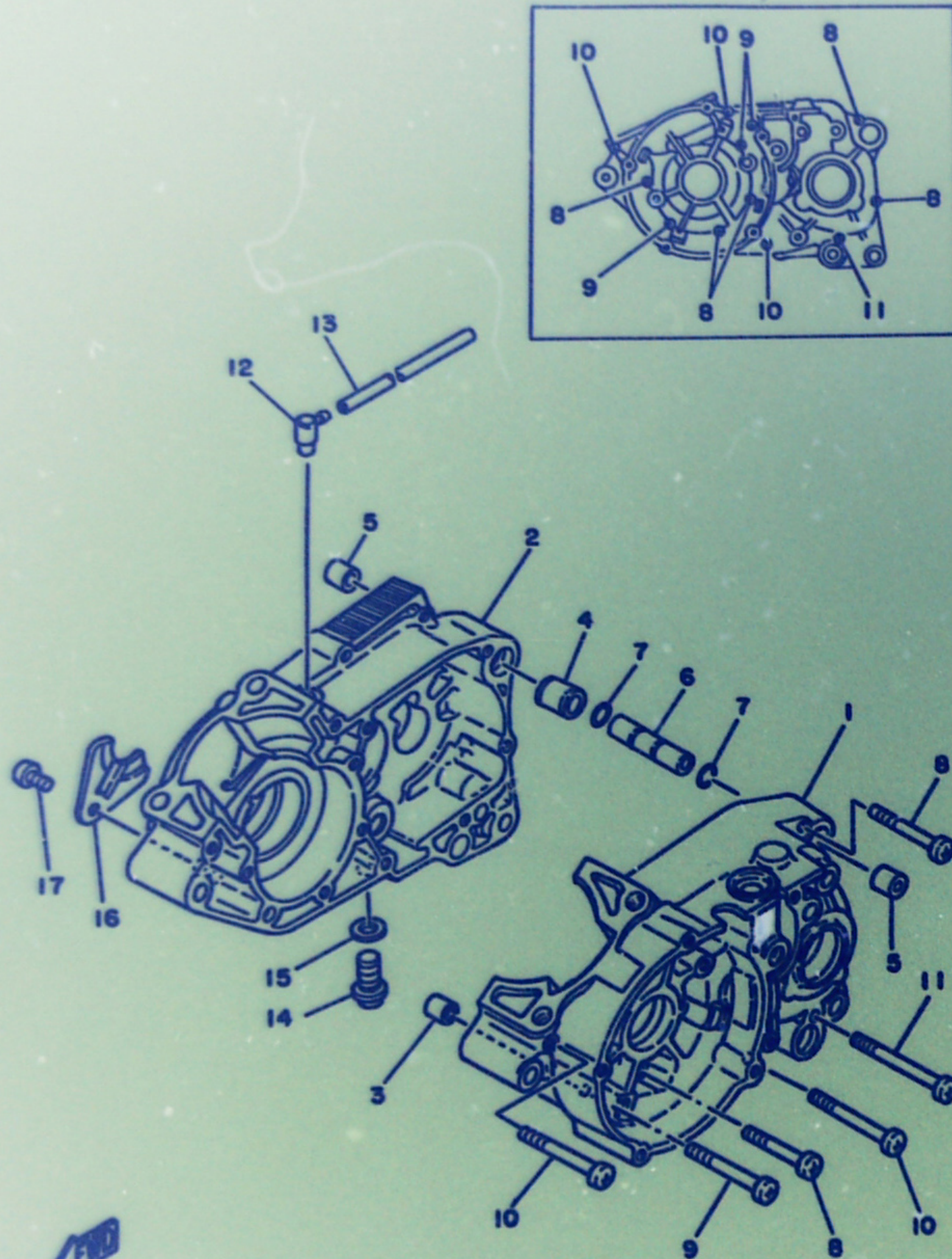
FIG. 6 EXHAUST



| REF. NO. | PART NO. | DESCRIPTION | Q'TY | REMARKS |
|----------|--------------|----------------------|------|---------|
| 1 | 3R9-14610-00 | EXHAUST PIPE ASSY 1 | 1 | |
| 2 | 3R3-14613-00 | GASKET, exhaust Pipe | 1 | |
| 3 | 90507-20030 | SPRING, tension | 2 | |
| 4 | 1M1-14772-00 | STAY, muffler 2 | 1 | |
| 5 | 97301-06012 | BOLT | 2 | |
| 6 | 92901-06600 | WASHER, Plate | 2 | |
| 7 | 565-14771-00 | STAY, muffler 1 | 1 | |
| 8 | 97301-06012 | BOLT | 2 | |
| 9 | 92901-06600 | WASHER, Plate | 2 | |
| 10 | 1W2-14714-00 | GASKET, muffler | 1 | |
| 11 | 90460-37026 | CLAMP, hose | 2 | |
| 12 | 3R9-14753-10 | SILENCER, exhaust | 1 | |
| 13 | 1W2-14787-00 | CAP, silencer | 1 | |
| 14 | 97301-06012 | BOLT | 1 | |
| 15 | 92901-06100 | WASHER, sPrinG | 1 | |
| 16 | 92901-06600 | WASHER, Plate | 1 | |
| 17 | 90480-22269 | GROMMET | 2 | |
| 18 | 90387-081A3 | COLLAR | 2 | |
| 19 | 156-24186-00 | WASHER, sPecial | 2 | |
| 20 | 97301-08030 | BOLT | 2 | |
| 21 | 92901-08100 | WASHER, sPrinG | 2 | |

B9

FIG. 7 CRANKCASE

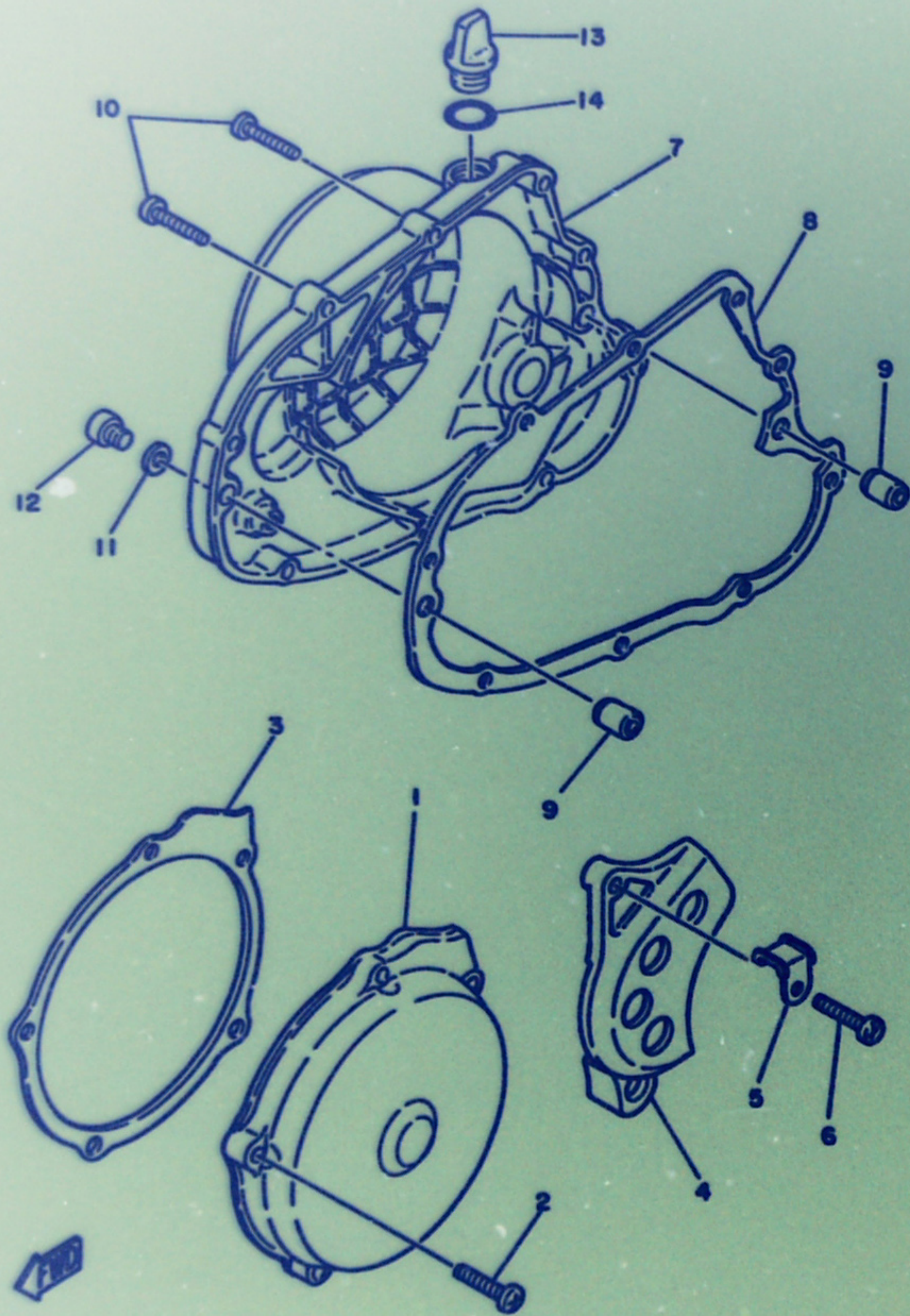


| REF. NO. | PART NO. | DESCRIPTION | Q'TY | REMARKS |
|----------|--------------|------------------------|------|---------|
| 1 | 1W1-15111-02 | CRANKCASE 1 | 1 | |
| 2 | 1W1-15121-02 | CRANKCASE 2 | 1 | |
| 3 | 91810-02014 | PIN, dowel | 1 | |
| 4 | 91810-19020 | PIN, dowel | 1 | |
| 5 | 328-15316-00 | DAMPER, engine mount 1 | 2 | |
| 6 | 401-15317-00 | SPACER, engine mount | 1 | |
| 7 | 93210-11073 | O-RING | 2 | |
| 8 | 92506-06050 | SCREW, Pan head | 5 | |
| 9 | 92506-06060 | SCREW, Pan head | 3 | |
| 10 | 92506-06070 | SCREW, Pan head | 3 | |
| 11 | 92506-06075 | SCREW, Pan head | 1 | |
| 12 | 2N4-15371-00 | BREATHER | 1 | |
| 13 | 90445-07340 | HOSE | 1 | |
| 14 | 90340-12005 | PLUG, straight screw | 1 | |
| 15 | 90430-12038 | GASKET | 1 | |
| 16 | 304-15128-00 | HOLDER | 1 | |
| 17 | 92501-08010 | SCREW, Pan head | 1 | |

B10

FIG. 8 CRANKCASE COVER

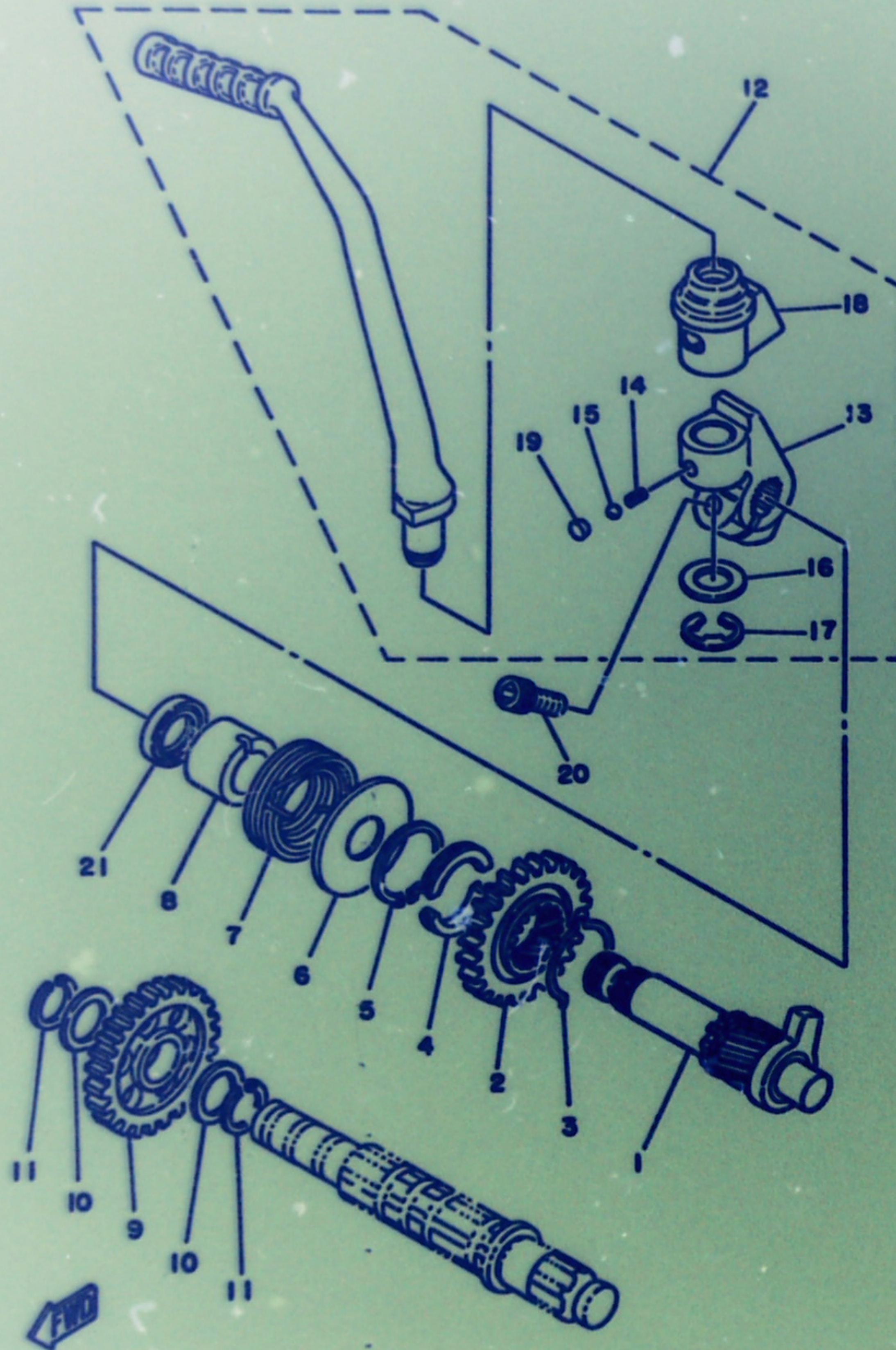
Lee Waldie Craig Scott Chris Koira



| REF. NO. | PART NO. | DESCRIPTION | Q'TY | REMARKS |
|----------|--------------|-------------------------|------|---------|
| 1 | 1W1-15411-00 | COVER, crankcase 1 | 1 | |
| 2 | 92506-06030 | SCREW, Pan head | 5 | |
| 3 | 1W1-15455-00 | GASKET, crankcase cover | 1 | |
| 4 | 2W5-15421-00 | COVER, crankcase 2 | 1 | |
| 5 | 2A6-15484-00 | CLAMP 2 | 1 | |
| 6 | 92506-06030 | SCREW, Pan head | 1 | |
| 7 | 1W1-15431-00 | COVER, crankcase 3 | 1 | |
| 8 | 1W1-15451-00 | GASKET, crankcase cover | 1 | |
| 9 | 91810-02014 | PIN, dowel | 2 | |
| 10 | 92506-06030 | SCREW, Pan head | 9 | |
| 11 | 90430-06016 | GASKET | 1 | |
| 12 | 92506-06008 | SCREW, Pan head | 1 | |
| 13 | 1G8-15362-00 | PLUG, oil level | 1 | |
| 14 | 93210-14104 | O-RING | 1 | |

B11

FIG. 9 KICK STARTER

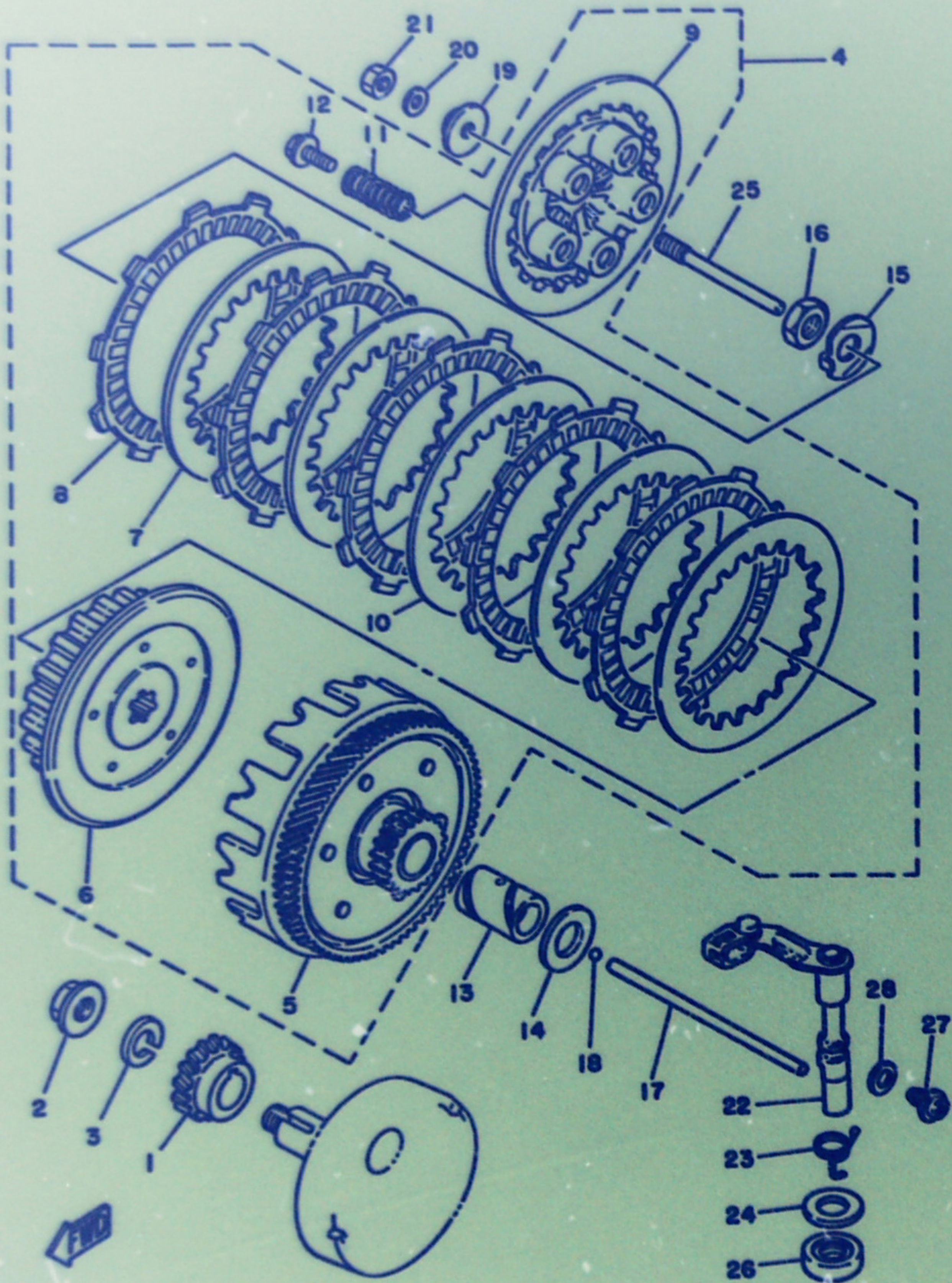


| REF. NO. | PART NO. | DESCRIPTION | Q'TY | REMARKS |
|----------|-----------------|-----------------------|------|---------|
| 1 | 2A6-15660-00 | KICK AXLE ASSY | 1 | |
| 2 | 1W1-15641-00 | GEAR, kick (27T) | 1 | |
| 3 | 90468-26048 | CLIP | 1 | |
| 4 | 248-15654-00 | HOLDER, kick gear | 2 | |
| 5 | 93410-30012 | CIRCLIP | 1 | |
| 6 | 401-15676-00 | COVER, sPring | 1 | |
| 7 | 90508-26346 | SPRING, torsion | 1 | |
| 8 | 1W1-15666-00 | SPACER | 1 | |
| 9 | 525-15651-00 | GEAR, kick idle (25T) | 1 | |
| 10 | 137-17417-00-05 | SHIM (0.5T) | 2 | UN |
| 11 | 93440-15012 | CIRCLIP | 2 | |
| 12 | 1W1-15620-01 | KICK CRANK ASSY | 1 | |
| 13 | 1W1-15621-01 | •BOSS, kick crank | 1 | |
| 14 | 90521-10459 | •SPRING, comPrission | 1 | |
| 15 | 93503-16010 | •BALL | 1 | |
| 16 | 90201-12541 | •WASHER, Plate | 1 | |
| 17 | 93430-08007 | •CIRCLIP | 1 | |
| 18 | 1W1-15618-01 | •COVER, kick lever | 1 | |
| 19 | 90336-06030 | •PLUG, taPer | 1 | |
| 20 | 91316-08025 | BOLT | 1 | |
| 21 | 93101-17062 | OIL SEAL | 1 | |

B12

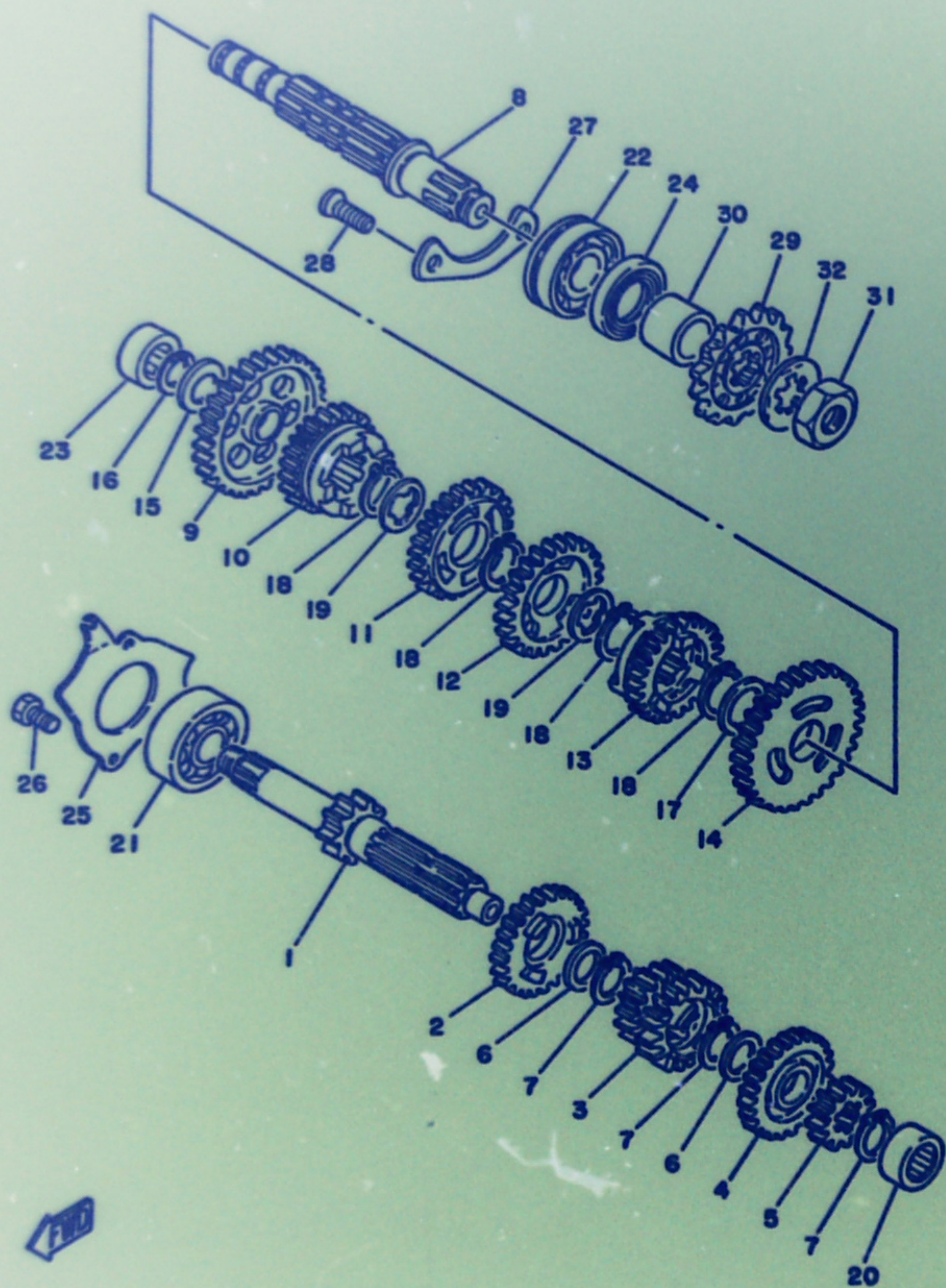
FIG. 10 CLUTCH

| REF. NO. | PART NO. | DESCRIPTION | Q'TY | REMARKS |
|----------|--------------|----------------------------------|------|---------|
| 1 | 1W1-16111-00 | GEAR, Primary drive (22T) | 1 | |
| 2 | 90179-12244 | NUT | 1 | |
| 3 | 90204-12007 | WASHER, sPrinE | 1 | |
| 4 | 2X3-16300-00 | CLUTCH ASSY | 1 | |
| 5 | 1W1-16150-01 | •PRIMARY DRIVEN GEAR COMP.(17IT) | 1 | |
| 6 | 1G8-16371-00 | •BOSS, clutch | 1 | |
| 7 | 137-16325-00 | •PLATE, clutch 2 | 4 | |
| 8 | 537-16321-00 | •PLATE, friction | 5 | |
| 9 | 1W1-16351-00 | •PLATE, Pressure 1 | 1 | |
| 10 | 137-16325-70 | •PLATE, clutch 2 | 1 | |
| 11 | 90501-20122 | •SPRING, comPression | 5 | |
| 12 | 90159-05011 | •SCREW, with washer | 5 | |
| 13 | 90560-17147 | SPACER | 1 | |
| 14 | 90201-17550 | WASHER, Plate | 2 | |
| 15 | 90215-14144 | WASHER, lock | 1 | |
| 16 | 90170-14171 | NUT | 1 | |
| 17 | 2X3-16357-00 | RDD, Push 2 | 1 | |
| 18 | 93503-16010 | BALL | 1 | |
| 19 | 1W1-16358-00 | PLATE, Push | 1 | |
| 20 | 92901-06200 | WASHER, Plain | 1 | |
| 21 | 95301-06600 | NUT | 1 | |
| 22 | 2X3-16380-00 | PUSH LEVER ASSY | 1 | |
| 23 | 90508-20345 | SPRING, torsion | 1 | |
| 24 | 90201-14217 | WASHER, Plate | 1 | |
| 25 | 1W1-16356-00 | RDD, Push 1 | 1 | |
| 26 | 93104-14004 | OIL SEAL | 1 | |
| 27 | 90149-08108 | SCREW | 1 | |
| 28 | 90430-08069 | GASKET | 1 | |



B13

FIG. 11 TRANSMISSION

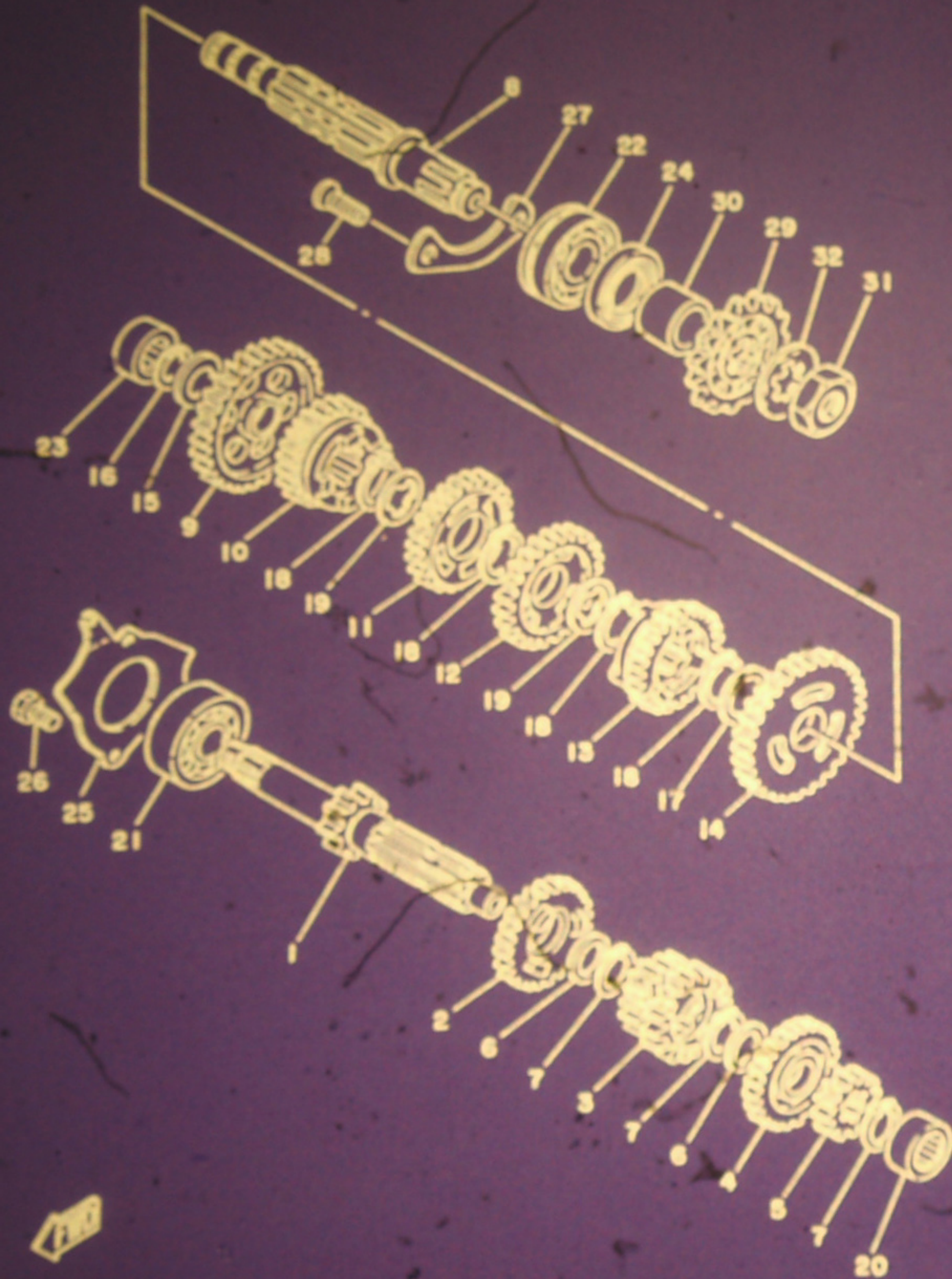


| REF. NO. | PART NO. | DESCRIPTION | Q'TY | REMARKS |
|----------|--------------|--------------------------------|------|---------|
| 1 | 1W2-17411-00 | AXLE, main (11T) | 1 | |
| 2 | 1W2-17151-00 | GEAR, 5th Pinion (23T) | 1 | |
| 3 | 2W6-17131-01 | GEAR, 3rd/4th Pinion (18T/21T) | 1 | |
| 4 | 1W2-17161-00 | GEAR, 6th Pinion (25T) | 1 | |
| 5 | 1W2-17121-00 | GEAR, 2nd Pinion (15T) | 1 | |
| 6 | 90201-20266 | WASHER, Plate | 2 | |
| 7 | 93410-20038 | CIRCLIP | 3 | |
| 8 | 1W1-17421-00 | AXLE, drive | 1 | |
| 9 | 1W2-17211-01 | GEAR, 1st wheel (34T) | 1 | |
| 10 | 2W6-17251-01 | GEAR, 5th wheel (23T) | 1 | |
| 11 | 2W6-17231-01 | GEAR, 3rd wheel (27T) | 1 | |
| 12 | 1W2-17241-00 | GEAR, 4th wheel (25T) | 1 | |
| 13 | 1W2-17261-00 | GEAR, 6th wheel (21T) | 1 | |
| 14 | 1W2-17221-01 | GEAR, 2nd wheel (31T) | 1 | |
| 15 | 90201-15701 | WASHER, Plate (1.0T) | 1 | |
| 16 | 93440-15012 | CIRCLIP | 1 | |
| 17 | 90201-22555 | WASHER, Plate | 1 | |
| 18 | 93410-22039 | CIRCLIP | 4 | |
| 19 | 90209-18135 | WASHER | 2 | |
| 20 | 93311-41530 | BEARING, cylindrical | 1 | |
| 21 | 93306-30303 | BEARING (B6302Z) | 1 | |
| 22 | 93306-30411 | BEARING (B6304) | 1 | |
| 23 | 93311-31515 | BEARING, cylindrical | 1 | |
| 24 | 93102-26042 | OIL SEAL | 1 | |
| 25 | 1W1-17471-01 | PLATE, cover | 1 | |
| 26 | 97321-06012 | BOLT | 2 | |
| 27 | 1W1-15381-00 | PLATE, bearing cover | 1 | |
| 28 | 92701-06012 | SCREW, flat head | 2 | |

B14

FIG. 11 TRANSMISSION

| REF. NO. | PART NO. | DESCRIPTION | Q'TY | REMARKS |
|----------|--------------|-----------------------|------|---------|
| 29 | 168-17461-20 | SPROCKET, drive (12T) | 1 | UR STD |
| | 168-17461-10 | SPROCKET, drive (11T) | 1 | UR |
| | 168-17461-30 | SPROCKET, drive (13T) | 1 | UR |
| 30 | 90387-202A0 | COLLAR | 1 | |
| 31 | 90179-16226 | NUT | 1 | |
| 32 | 90215-16127 | WASHER, lock | 1 | |



B15

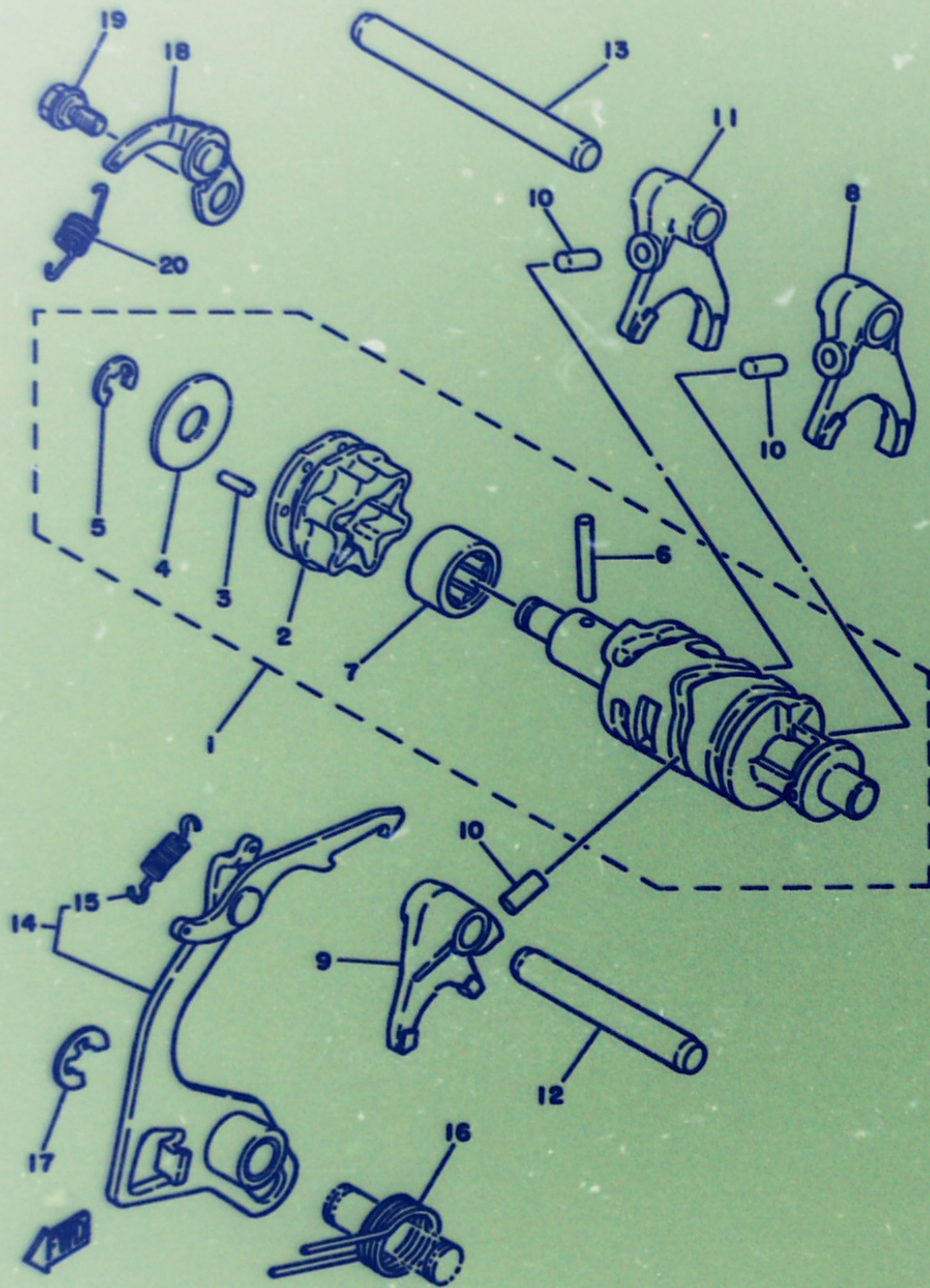
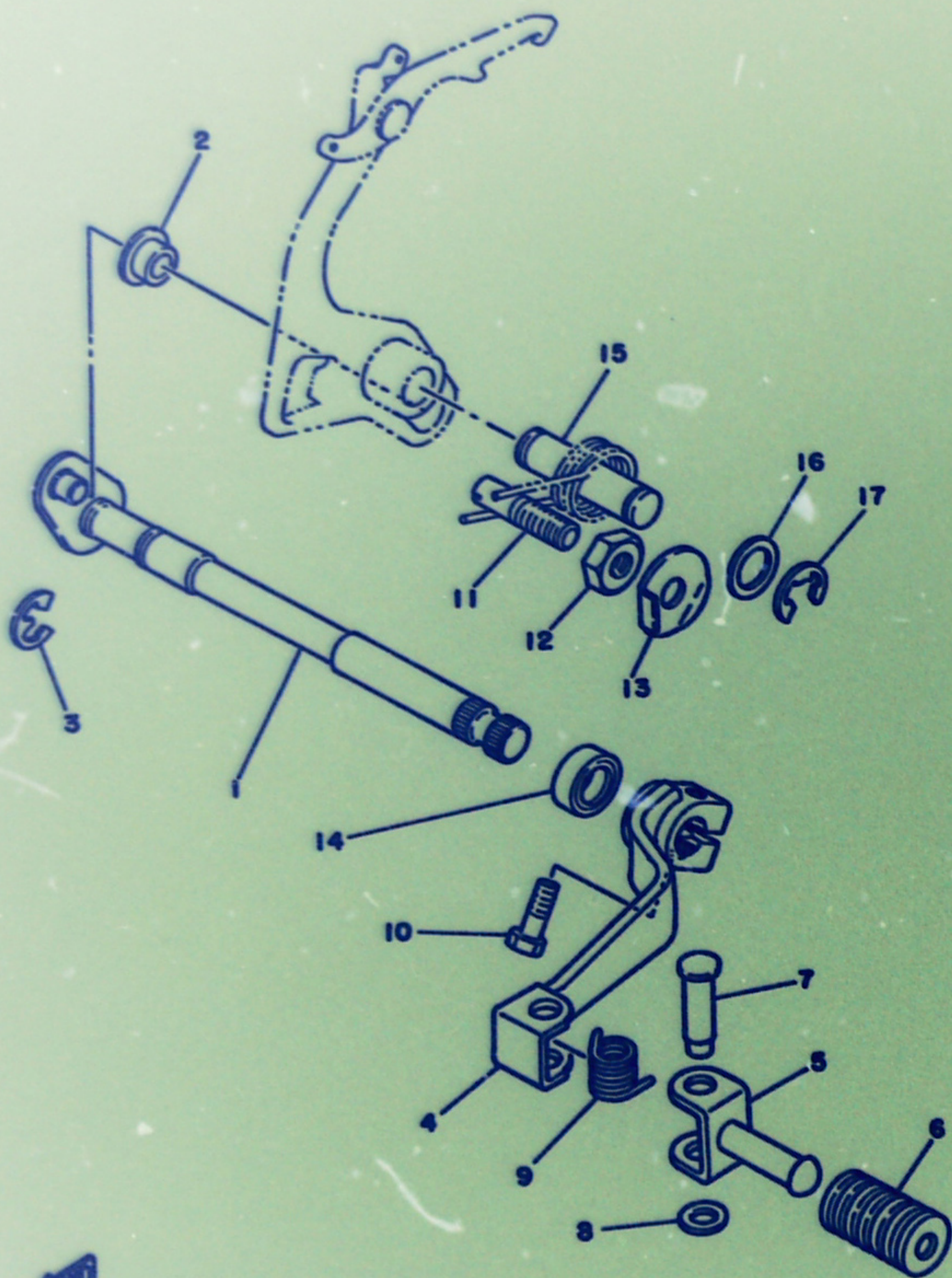


FIG. 12 SHIFT CAM.FORK

| REF. NO. | PART NO. | Australian IT Forum DESCRIPTION | Q'TY | REMARKS |
|----------|--------------|---------------------------------|------|---------|
| 1 | 2W6-18540-00 | SHIFT CAM ASSY | 1 | |
| 2 | 1W1-18165-00 | •SEGMENT | 1 | |
| 3 | 93604-12037 | •PIN, dowel | 6 | |
| 4 | 1W1-18561-00 | •PLATE, side 1 | 1 | |
| 5 | 93430-08006 | •CIRCLIP | 1 | |
| 6 | 93604-30018 | •PIN, dowel | 1 | |
| 7 | 93315-21813 | •BEARING, cylindrical | 1 | |
| 8 | 2W6-18511-00 | FORK, shift 1 | 1 | |
| 9 | 2W6-18512-00 | FORK, shift 2 | 1 | |
| 10 | 90250-06013 | PIN, straight | 3 | |
| 11 | 2W6-18513-00 | FORK, shift 3 | 1 | |
| 12 | 2A6-18531-00 | BAR, shift fork Guide 1 | 1 | |
| 13 | 2A6-18535-00 | BAR, shift fork Guide 2 | 1 | |
| 14 | 2A6-18120-01 | SHIFT LEVER ASSY | 1 | |
| 15 | 90506-08155 | •SPRING, tension | 1 | |
| 16 | 90508-32349 | SPRING, torsion | 1 | |
| 17 | 93430-10016 | CIRCLIP | 1 | |
| 18 | 1W1-18140-00 | STOPPER LEVER ASSY | 1 | |
| 19 | 1W1-18177-00 | BDLT, stopPer | 1 | |
| 20 | 90506-09156 | SPRING, tension | 1 | |

FIG. 13 SHIFT SHAFT-PEDAL

| REF. NO. | PART NO. | DESCRIPTION | Q'TY | REMARKS |
|----------|-----------------|---------------------|------|---------|
| 1 | 4F2-18101-00 | SHIFT SHAFT ASSY | 1 | |
| 2 | 401-18178-00 | ROLLER, shift lever | 1 | |
| 3 | 93430-10016 | CIRCLIP | 1 | |
| 4 | 3R9-18111-00 | PEDAL, shift | 1 | |
| 5 | 3R8-18162-00 | PEDAL, shift | 1 | |
| 6 | 1W6-18113-00 | COVER, shift Pedal | 1 | |
| 7 | 90243-08017 | PIN | 1 | |
| 8 | 90201-06042 | WASHER, Plate | 1 | |
| 9 | 90508-20415 | SPRING, torsion | 1 | |
| 10 | 97321-06020 | BOLT | 1 | |
| 11 | 90149-08111 | SCREW | 1 | |
| 12 | 90170-08029 | NUT | 1 | |
| 13 | 90215-08014 | WASHER, lock | 1 | |
| 14 | 93101-12060 | OIL SEAL | 1 | |
| 15 | 1W1-18197-01 | SHAFT | 1 | |
| 16 | 102-18137-00-10 | WASHER 1 | 1 | |
| 17 | 93430-10016 | CIRCLIP | 1 | |

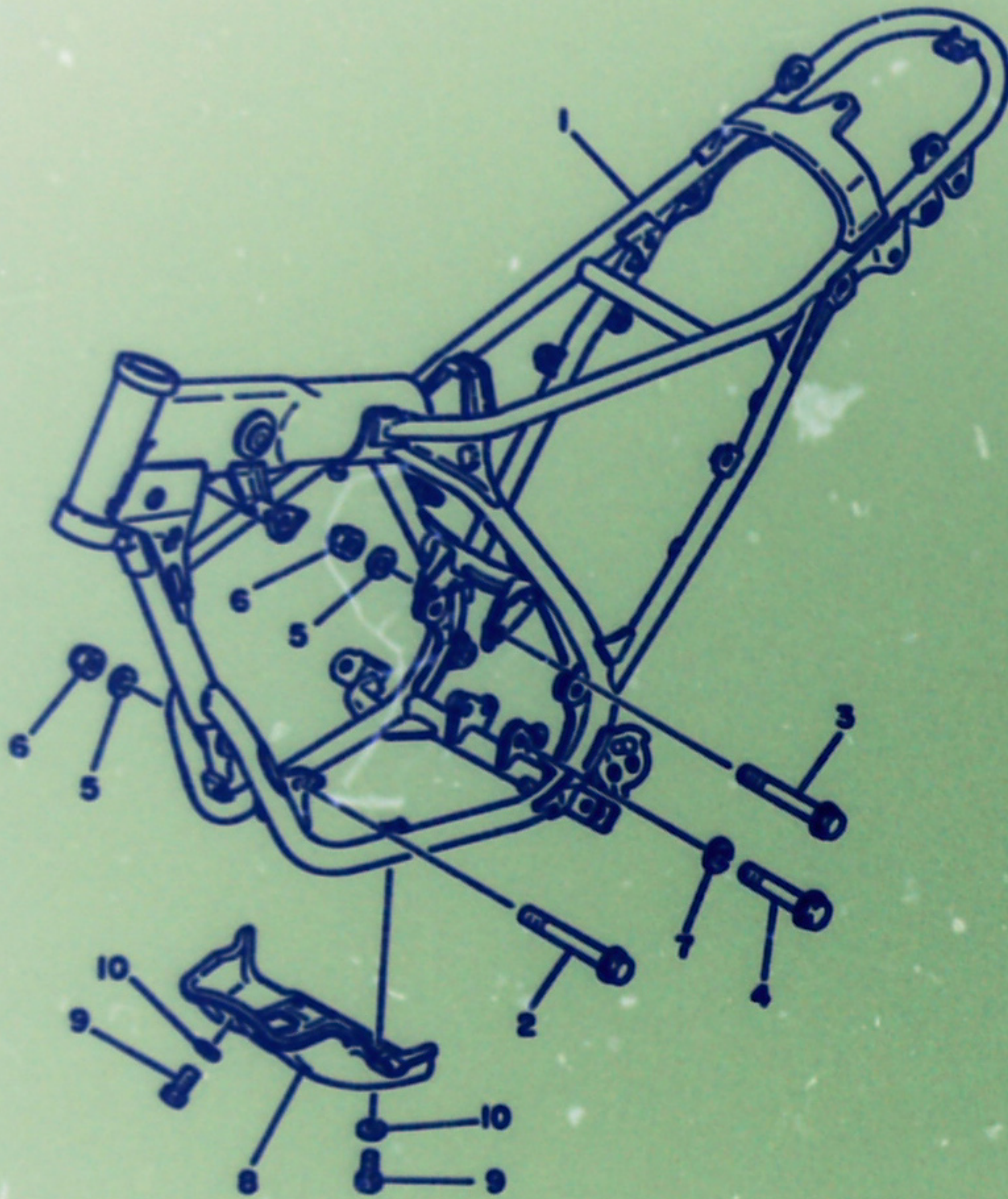


C3

FIG. 14 FRAME

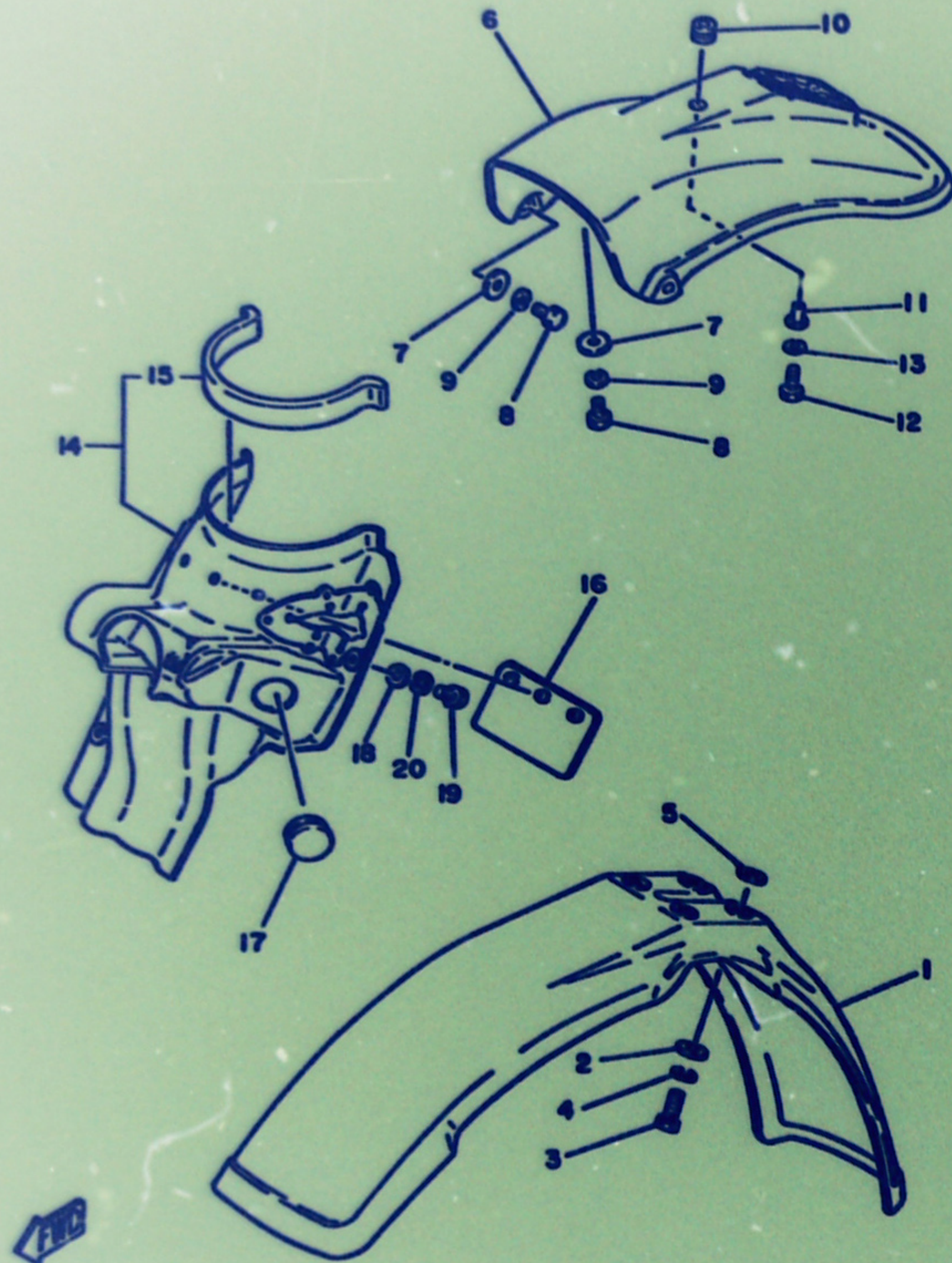
UK IT OWNERS FACEBOOK PAGE

| REF. NO. | PART NO. | DESCRIPTION | Q'TY | REMARKS |
|----------|-----------------|--------------------|------|--------------|
| 1 | 3R9-21110-03-33 | FRAME COMP | 1 | yamaha black |
| 2 | 90105-08099 | BOLT, washer based | 1 | |
| 3 | 90105-08120 | BOLT, washer based | 1 | |
| 4 | 90105-10037 | BOLT, washer based | 1 | |
| 5 | 92901-08200 | WASHER, Plain | 2 | |
| 6 | 90185-08054 | NUT, self-locking | 2 | |
| 7 | 92901-10100 | WASHER, sPring | 1 | |
| 8 | 3R9-21471-00-35 | PROTECTOR, engine | 1 | silver |
| 9 | 97301-06012 | BOLT | 4 | |
| 10 | 92901-06600 | WASHER, Plate | 4 | |



C4

FIG. 15 FRONT FENDER-REAR FENDER

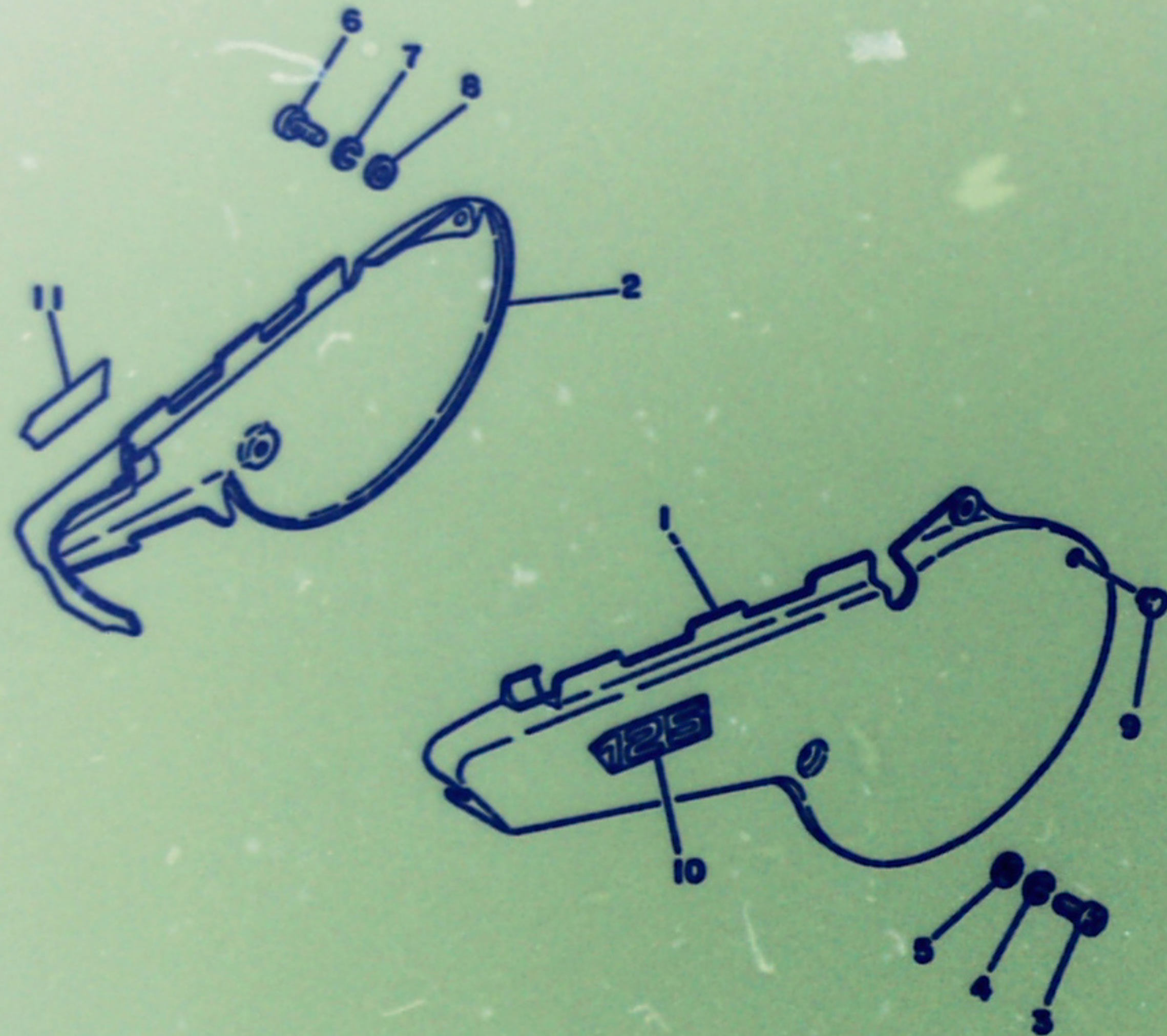


| REF. NO. | PART NO. | I OWNED THIS BIKE! DESCRIPTION | Q'TY | REMARKS |
|----------|--------------|-----------------------------------|------|----------|
| 1 | 3R8-21511-11 | FENDER, front | 1 | sky blue |
| 2 | 90201-06067 | WASHER, Plate | 4 | |
| 3 | 97302-06020 | BOLT | 4 | |
| 4 | 92902-06100 | WASHER, sPrin8 | 4 | |
| 5 | 90209-06187 | WASHER | 4 | |
| 6 | 3R9-21610-10 | REAR FENDER COMP. | 1 | sky blue |
| 7 | 90201-06067 | WASHER, Plate | 3 | |
| 8 | 97301-06014 | BOLT | 3 | |
| 9 | 92901-06100 | WASHER, sPrin8 | 3 | |
| 10 | 90480-14198 | GROMMET | 1 | |
| 11 | 90387-06388 | COLLAR | 1 | |
| 12 | 97301-06030 | BOLT | 1 | |
| 13 | 92901-06100 | WASHER, sPrin8 | 1 | |
| 14 | 3R9-21620-00 | MUD GUARD COMP. | 1 | |
| 15 | 2A6-21639-00 | •DAMPER 2 | 1 | |
| 16 | 1M1-21621-00 | FLAP | 1 | |
| 17 | 90480-01254 | GROMMET | 2 | |
| 18 | 90201-06067 | WASHER, Plate | 3 | |
| 19 | 97301-06014 | BOLT | 3 | |
| 20 | 92901-06100 | WASHER, sPrin8 | 3 | |

FIG. 16 SIDE COVER

LEE WALDIE CRAIG SCOTT CHRIS KOIRA

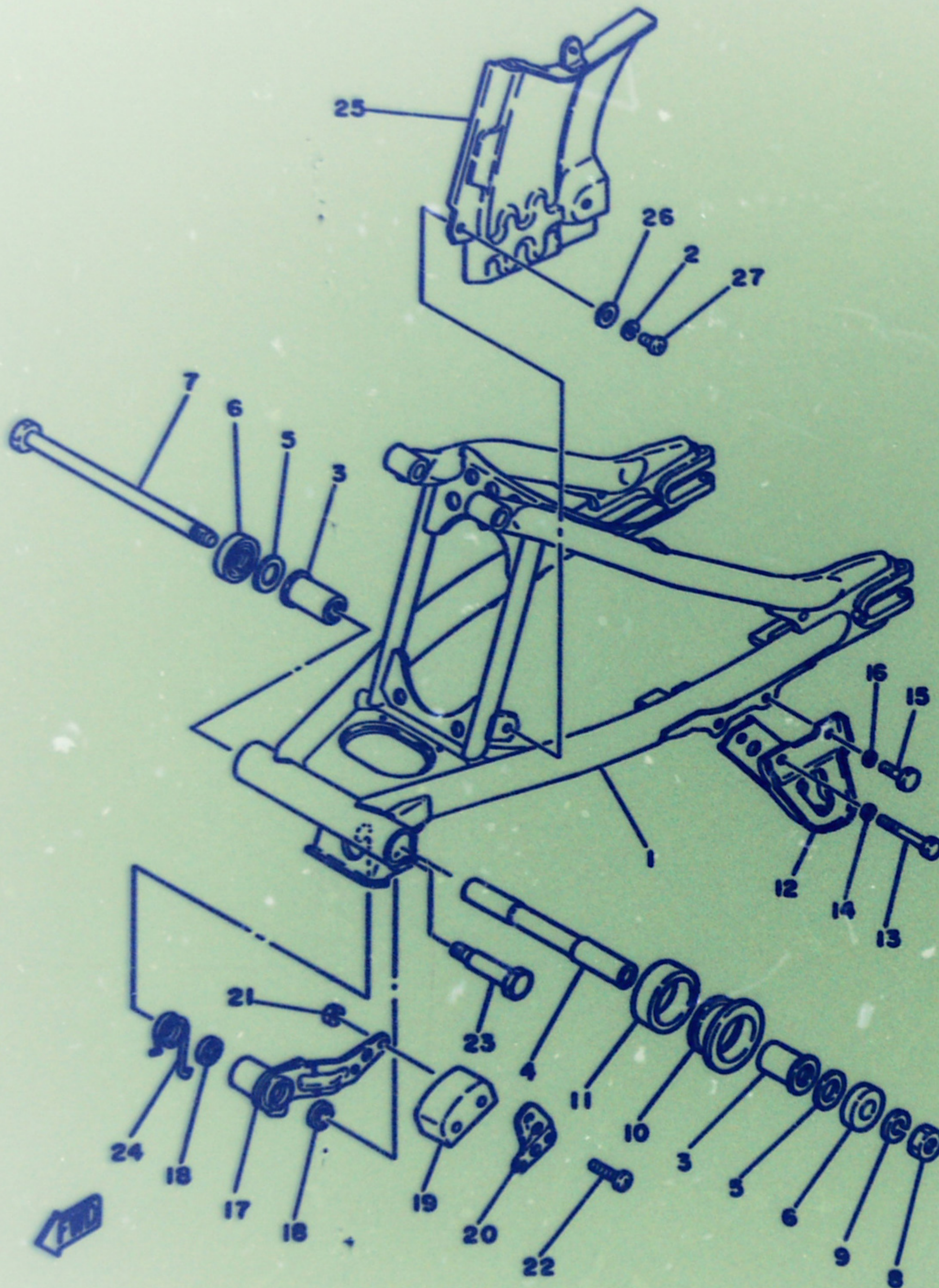
| REF. NO. | PART NO. | DESCRIPTION | Q'TY | REMARKS |
|----------|-----------------|--------------------|------|----------------------------------|
| 1 | 3R9-21711-00-26 | COVER, side (L.H) | 1 | comPetition ye- llow/sky blue |
| 2 | 3R9-21721-00-26 | COVER, side (R.H) | 1 | comPetition ye- llow/sky blue |
| 3 | 92501-06015 | SCREW, Pan head | 2 | |
| 4 | 92901-06100 | WASHER, sPrinG | 2 | |
| 5 | 90201-06067 | WASHER, Plate | 2 | |
| 6 | 92501-06015 | SCREW, Pan head | 2 | |
| 7 | 92901-06100 | WASHER, sPrinG | 2 | |
| 8 | 90201-06067 | WASHER, Plate | 2 | |
| 9 | 431-24181-00 | DAMPER, locatinG 1 | 1 | |
| 10 | 3R9-21737-01 | EMBLEM | 1 | |
| 11 | 3R9-21737-01 | EMBLEM | 1 | |



C6

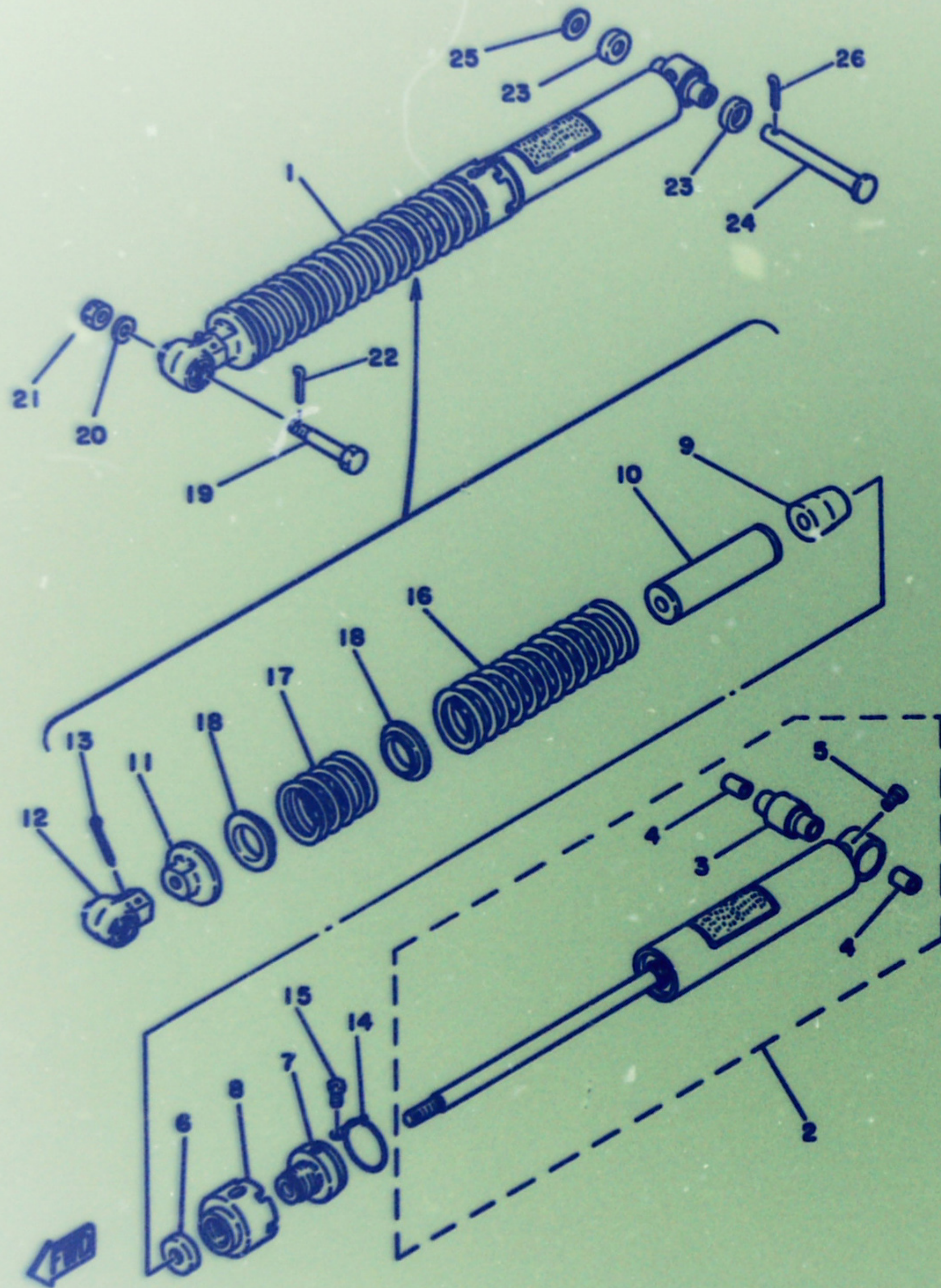
FIG. 17 REAR ARM

| REF. NO. | PART NO. | DESCRIPTION | Q'TY | REMARKS |
|----------|-----------------|-------------------|------|--------------|
| 1 | 3R9-22110-00-35 | REAR ARM COMP. | 1 | silver |
| 2 | 92901-05100 | WASHER, sPrinG | 3 | |
| 3 | 90386-18028 | BUSH | 2 | |
| 4 | 403-22124-00 | BUSH 2 | 1 | |
| 5 | 401-22127-00 | SHIM | 1 | UN |
| 6 | 401-22125-01 | SEAL, Guard | 2 | |
| 7 | 2N4-22141-00 | SHAFT, Pivot | 1 | |
| 8 | 90185-12046 | NUT, self-lockinG | 1 | |
| 9 | 92901-12100 | WASHER, sPrinG | 1 | |
| 10 | 2A6-22151-00 | SEAL, Guard | 1 | |
| 11 | 2A6-22152-00 | SEAL, Guard | 1 | |
| 12 | 2K5-22153-01 | GUARD, chain | 1 | |
| 13 | 97301-06055 | BOLT | 1 | |
| 14 | 92901-06100 | WASHER, sPrinG | 1 | |
| 15 | 97301-06012 | BOLT | 1 | |
| 16 | 92901-06100 | WASHER, sPrinG | 1 | |
| 17 | 2A6-22179-00 | ARM, tensioner | 1 | |
| 18 | 93104-14044 | OIL SEAL | 2 | |
| 19 | 2N0-22178-00 | TENSIONER | 1 | |
| 20 | 1W1-22187-00 | GUIDE, chain | 1 | |
| 21 | 95301-05700 | NUT | 2 | |
| 22 | 98501-05035 | SCREW, Pan head | 2 | |
| 23 | 90109-10483 | BOLT | 1 | |
| 24 | 90508-35350 | SPRING, torsion | 1 | |
| 25 | 3R9-22311-00-33 | CASE, chain | 1 | yamaha black |
| 26 | 92901-05200 | WASHER, Plain | 3 | |
| 27 | 98501-05010 | SCREW, Pan head | 3 | |



C7

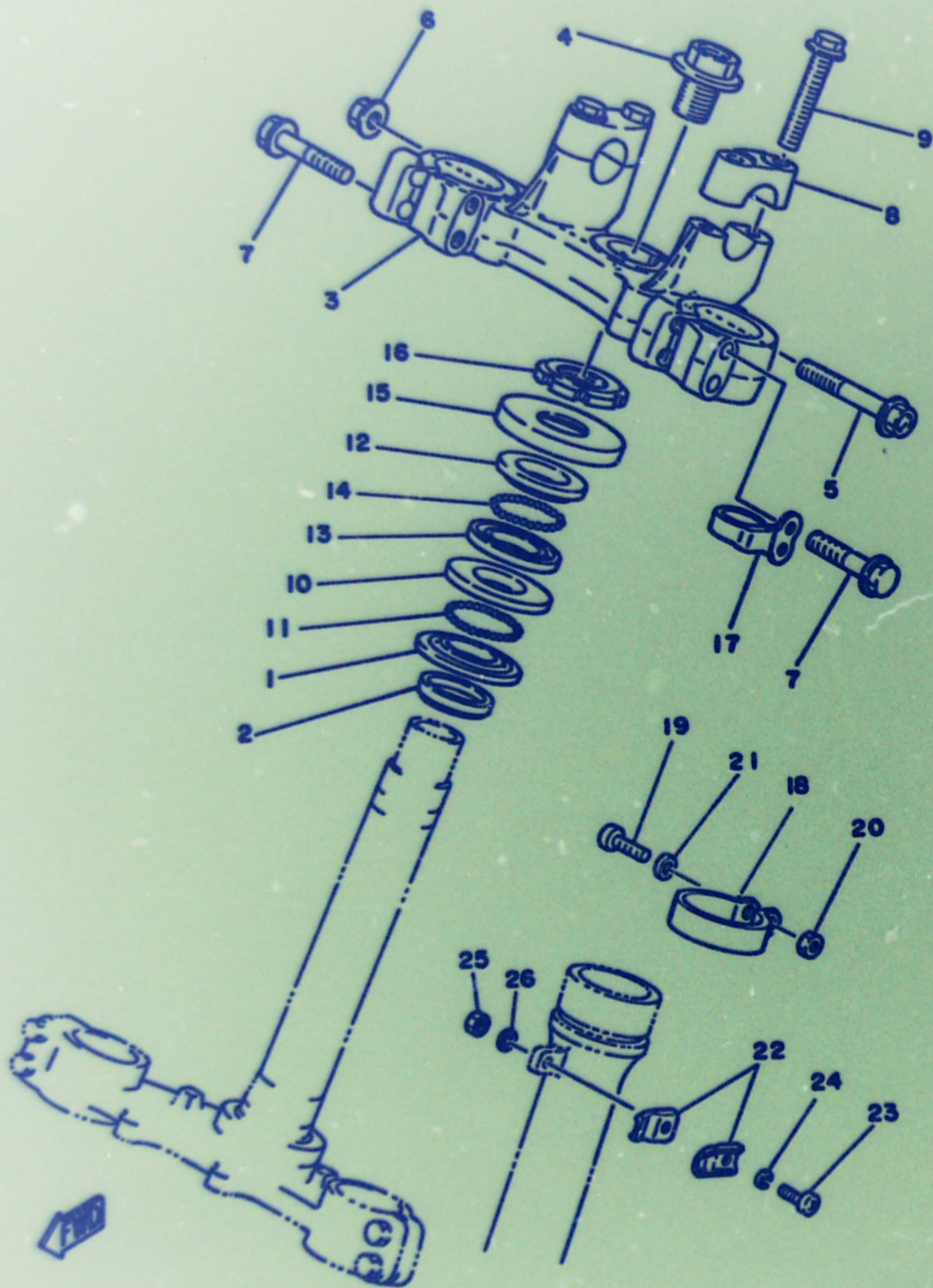
FIG. 18 REAR SUSPENSION



| REF. NO. | PART NO. | DESCRIPTION | Q'TY | REMARKS |
|----------|--------------|------------------------------|------|---------|
| 1 | 3R9-22210-10 | SHOCK ABSORBER ASSY, rear | 1 | |
| 2 | 3R9-22401-10 | •DUMPER SUB ASSY | 1 | |
| 3 | 1W1-22226-00 | ••BUSH, shock absorber lower | 1 | |
| 4 | 90380-12051 | ••BUSH, solid | 2 | |
| 5 | 98501-04005 | ••SCREW, Pan head | 1 | |
| 6 | 2A6-22482-00 | •STOPPER | 1 | |
| 7 | 1M1-22472-01 | •CAP, case | 1 | |
| 8 | 1M1-22223-00 | •SEAT, sPrinG lower | 1 | |
| 9 | 2A6-22493-00 | •STOPPER, bump | 1 | |
| 10 | 3R9-22496-00 | •SLEEVE, rod | 1 | |
| 11 | 1M1-22213-01 | •SEAT, sPrinG uPPer | 1 | |
| 12 | 1M1-22219-01 | •BRACKET, uPPer | 1 | |
| 13 | 91401-30040 | •PIN, cotter | 1 | |
| 14 | 1M1-22225-00 | •RING, hold | 1 | |
| 15 | 90149-04109 | •SCREW | 1 | |
| 16 | 3R9-22222-00 | •SPRING, shock absorber 2 | 1 | |
| 17 | 3R9-22212-00 | •SPRING | 1 | |
| 18 | 3R9-22234-00 | •GUIDE, sPrinG 3 | 2 | |
| 19 | 90109-10453 | BOLT | 1 | |
| 20 | 92901-10200 | WASHER, Plain | 1 | |
| 21 | 95302-10700 | NUT | 1 | |
| 22 | 91401-20025 | PIN, cotter | 1 | |
| 23 | 1W1-22128-00 | COVER, thrust 1 | 2 | |
| 24 | 90240-12059 | PIN, clevis | 1 | |
| 25 | 92901-12600 | WASHER, Plate | 1 | |
| 26 | 91401-30022 | PIN, cotter | 1 | |

FIG. 19 STEERING

| REF. NO. | PART NO. | DESCRIPTION | Q'TY | REMARKS |
|----------|-----------------|----------------------|------|-----------------|
| 1 | 156-23411-00 | RACE, ball 1 | 1 | |
| 2 | 164-23462-00 | SEAL, steering | 1 | |
| 3 | 3R2-23435-00-98 | CROWN, handle | 1 | low gloss black |
| 4 | 90105-14136 | BOLT, washer based | 1 | |
| 5 | 95821-08055 | BOLT, flange | 1 | |
| 6 | 95701-08100 | NUT, flange | 1 | |
| 7 | 95821-08040 | BOLT, flange | 4 | |
| 8 | 1E6-23441-00-98 | HOLDER, handle upper | 2 | low gloss black |
| 9 | 95821-08035 | BOLT, flange | 4 | |
| 10 | 156-23412-00 | RACE, ball 2 | 1 | |
| 11 | 93501-04011 | BALL | 19 | |
| 12 | 122-23411-00 | RACE, ball 1 | 1 | |
| 13 | 122-23412-00 | RACE, ball 2 | 1 | |
| 14 | 93503-16010 | BALL | 22 | |
| 15 | 583-23416-01 | COVER, ball race 2 | 1 | |
| 16 | 90179-25033 | NUT | 1 | |
| 17 | 3R4-23317-00 | HOLDER, cable | 1 | |
| 18 | 3R9-23318-00 | HOLDER, cable 1 | 1 | |
| 19 | 98501-05018 | SCREW, Pan head | 1 | |
| 20 | 95301-05600 | NUT | 1 | |
| 21 | 92901-05600 | WASHER, Plate | 1 | |
| 22 | 90462-14055 | CLAMP | 2 | |
| 23 | 92501-06025 | SCREW, Pan head | 1 | |
| 24 | 92901-06100 | WASHER, spring | 1 | |
| 25 | 95301-06600 | NUT | 1 | |
| 26 | 92901-06600 | WASHER, Plate | 1 | |

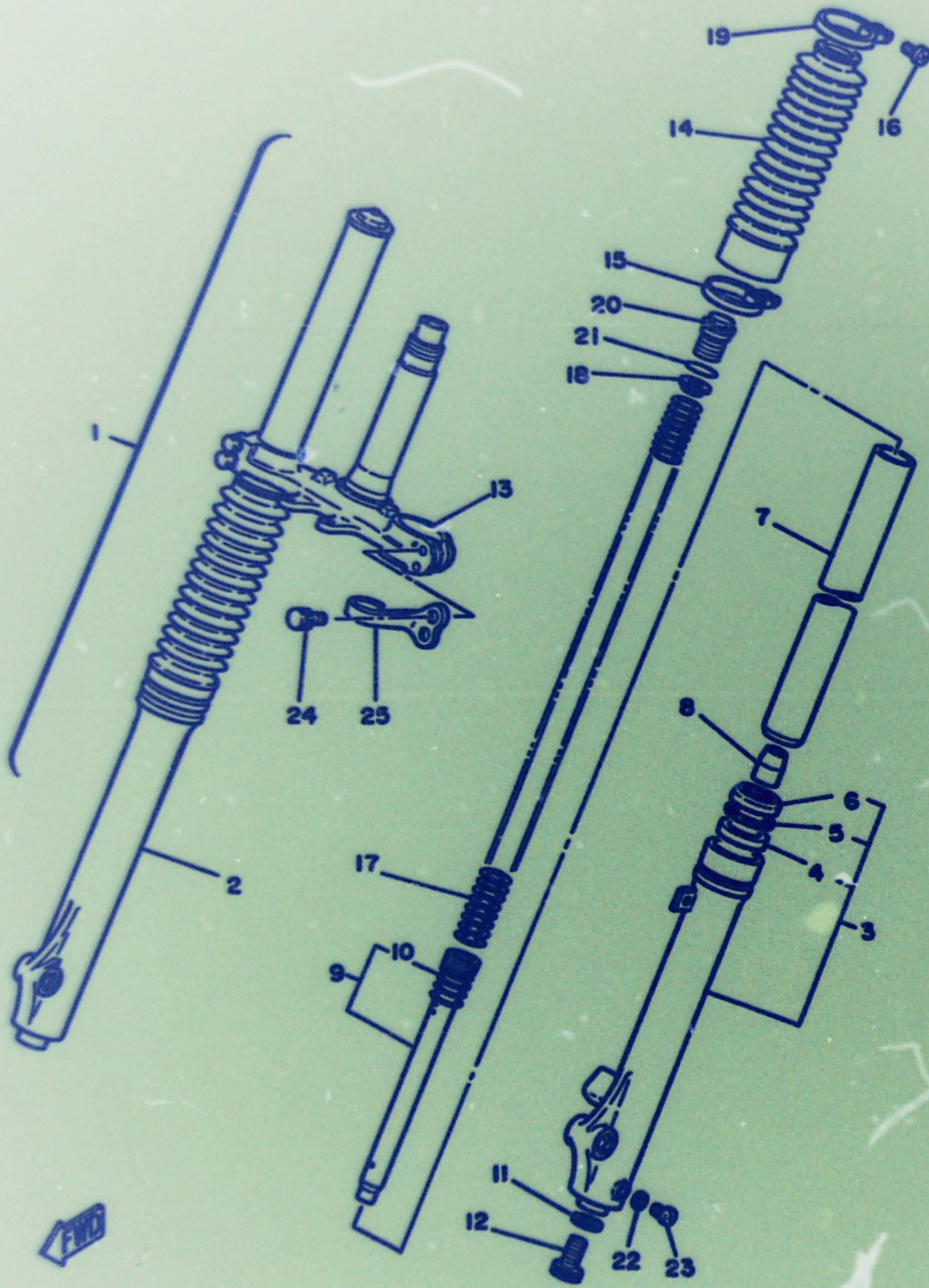


C9

FIG. 20 FRONT FORK

UK IT OWNERS FACEBOOK GROUP

| REF. NO. | PART NO. | DESCRIPTION | Q'TY | REMARKS |
|----------|-----------------|-----------------------------|------|--------------|
| 1 | 3R9-23101-10 | FRONT FORK ASSY | 1 | |
| 2 | 3R2-23106-00 | •OUTER TUBE COMP. (R.H) | 1 | |
| 3 | 3R2-23107-01 | •OUTER TUBE COMP. (L.H) | 1 | |
| 4 | 1T3-23145-00 | ••OIL SEAL | 2 | |
| 5 | 3R2-23153-00 | ••RING, snap | 2 | |
| 6 | 3R2-23144-00 | ••SEAL, dust | 2 | |
| 7 | 3R2-23110-00 | •INNER TUBE COMP.1 | 2 | |
| 8 | 1W1-23173-LO | •SPINDLE, taPer | 2 | |
| 9 | 3R9-23170-10 | •CYLINDER COMP., front fork | 2 | |
| 10 | 509-23151-LO | ••SPRING, rebound | 2 | |
| 11 | 509-23158-LO | •GASKET | 2 | |
| 12 | 278-23181-50 | •BOLT, hexa8on socket head | 2 | |
| 13 | 3R2-23340-00-33 | •UNDER BRACKET COMP. | 1 | yamaha black |
| 14 | 3R2-23191-M0 | •BOOT | 2 | |
| 15 | 341-92090-60 | •BAND, boot | 2 | |
| 16 | 509-23194-LO | •SCREW, boot band | 2 | |
| 17 | 3R9-23141-10 | •SPRING, front fork | 2 | |
| 18 | 583-23142-00 | •SEAT, sPring uPPer | 2 | |
| 19 | 1W2-23118-10 | •SPACER | 2 | |
| 20 | 2W6-23111-00 | •BOLT, caP | 2 | |
| 21 | 240-23114-00 | •GASKET | 2 | |
| 22 | 122-23129-00 | •GASKET, drain Plug | 2 | |
| 23 | 122-23119-01 | •PLUG, drain | 2 | |
| 24 | 2K5-23128-00 | •BOLT, axle holder | 4 | |
| 25 | 3R4-23389-00 | •GUIDE, cable | 1 | |

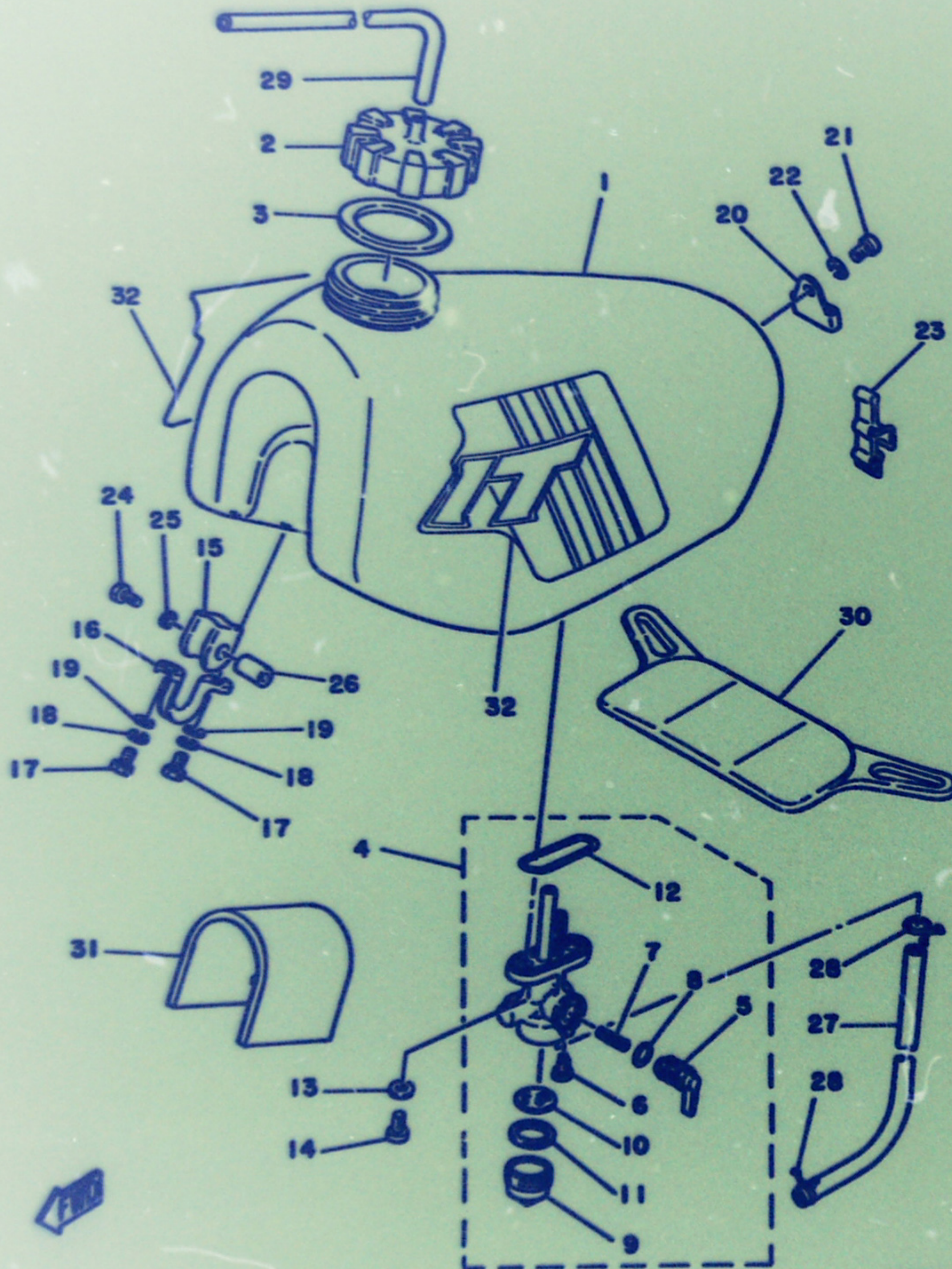


C10

FIG. 21 FUEL TANK

UK IT OWNERS FACEBOOK GROUP

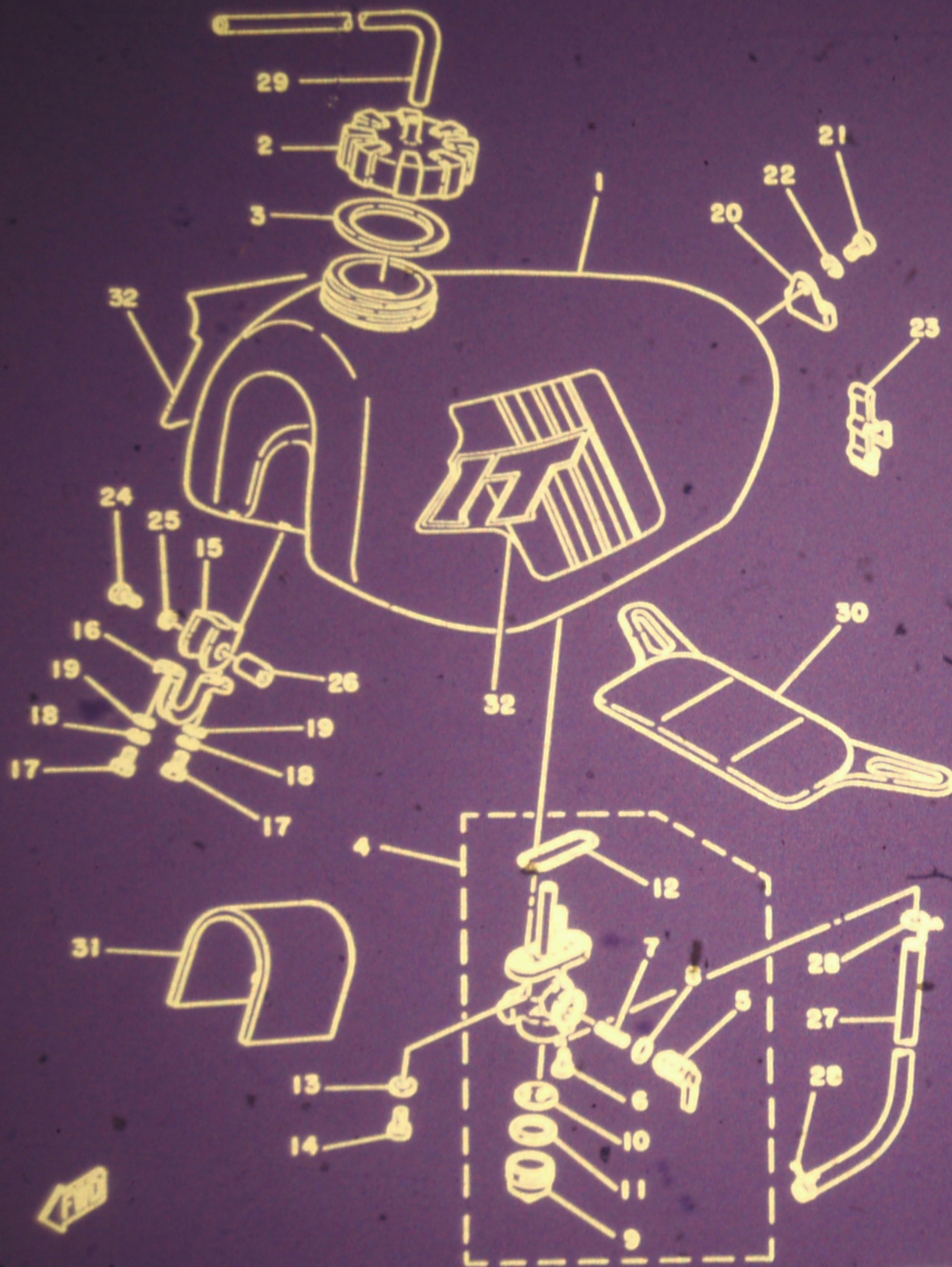
| REF. NO. | PART NO. | DESCRIPTION | Q'TY | REMARKS |
|----------|--------------|-----------------------|------|----------|
| 1 | 3R9-24110-00 | FUEL TANK COMP. | 1 | sky blue |
| 2 | 1K7-24611-01 | BODY, caP | 1 | |
| 3 | 1K7-24612-02 | GASKET, caP | 1 | |
| 4 | 3R9-24500-00 | FUEL COCK ASSY 1 | 1 | |
| 5 | 2W6-24524-00 | •LEVER, cock | 1 | |
| 6 | 2N3-24535-00 | •SCREW, lever fitting | 1 | |
| 7 | 2W6-24529-00 | •SPRING | 1 | |
| 8 | 2N3-24528-00 | •O-RING | 1 | |
| 9 | 357-24521-10 | •CUP, filter | 1 | |
| 10 | 357-24522-10 | •GASKET | 1 | |
| 11 | 2W6-24561-00 | •NET, filter | 1 | |
| 12 | 2W6-24512-00 | •O-RING | 1 | |
| 13 | 90202-06010 | WASHER, Plate | 2 | |
| 14 | 90149-06011 | SCREW | 2 | |
| 15 | 1W1-24182-01 | DAMPER, locatinG 2 | 2 | |
| 16 | 1W1-24144-01 | HOLDER, damPer | 2 | |
| 17 | 97301-06012 | BOLT | 4 | |
| 18 | 92901-06100 | WASHER, sPrinG | 4 | |
| 19 | 92901-06600 | WASHER, Plate | 4 | |
| 20 | 2K5-24192-00 | BRACKET, fuel tank 2 | 1 | |
| 21 | 92501-06012 | SCREW, Pan head | 1 | |
| 22 | 92901-06100 | WASHER, sPrinG | 1 | |
| 23 | 2K5-24173-00 | BAND, tank fitting 1 | 1 | |
| 24 | 90119-06022 | BOLT, with washer | 2 | |
| 25 | 90201-06407 | WASHER, Plate | 2 | |
| 26 | 90387-07393 | COLLAR | 2 | |
| 27 | 90445-11295 | HOSE | 1 | |
| 28 | 90467-10008 | CLIP | 2 | |



C11

FIG. 21 FUEL TANK

| REF. NO. | PART NO. | DESCRIPTION | Q'TY | REMARKS |
|----------|--------------|--------------------|------|---------|
| 29 | 90445-09:17 | HOSE | 1 | |
| 30 | 2K5-24181-00 | DAMPER, locatinE 1 | 1 | |
| 31 | 1W1-24183-00 | DAMPER, locatinE 3 | 1 | |
| 32 | 3R9-24240-29 | GRAPHIC SET | 1 | |



C12

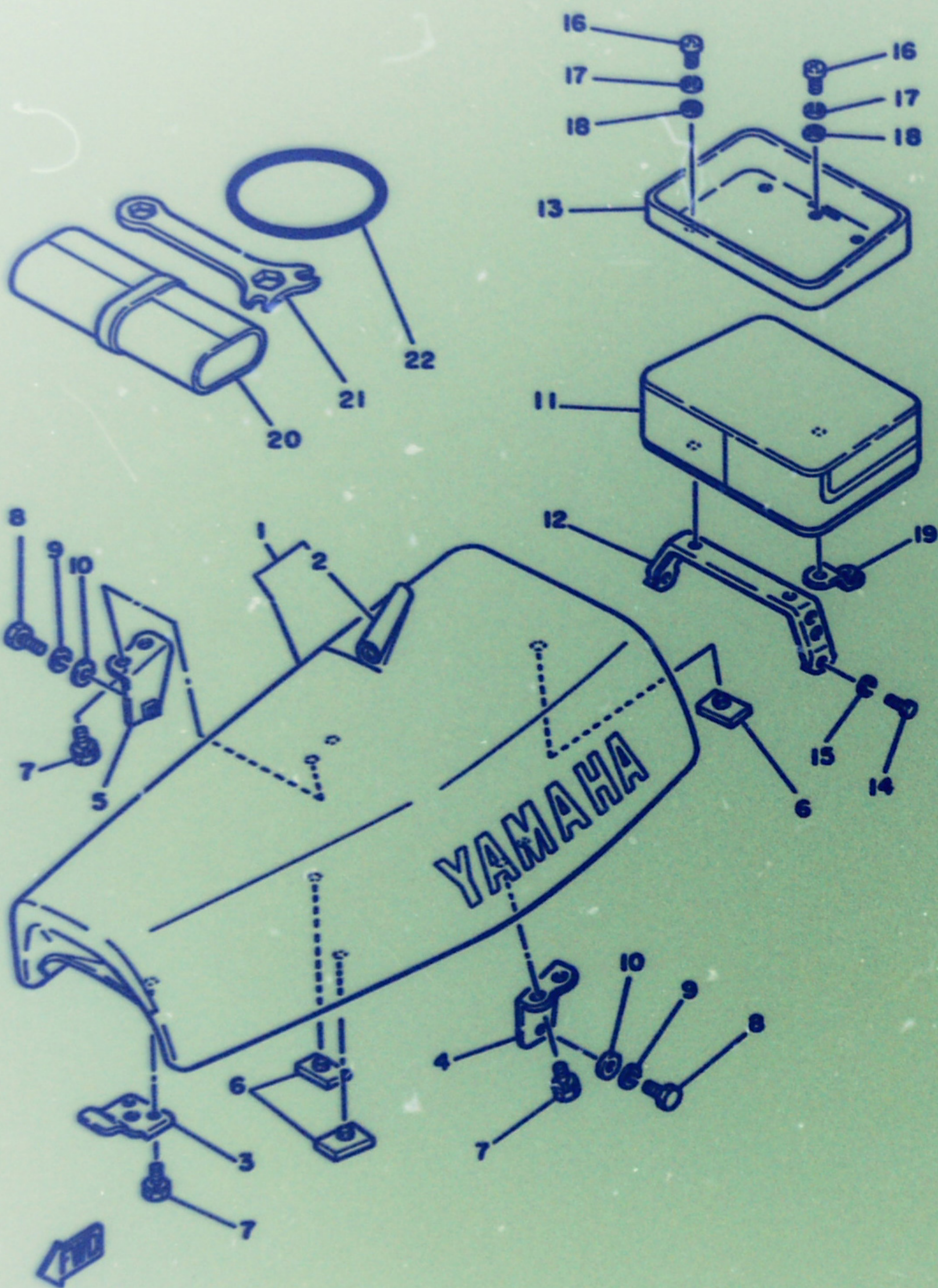
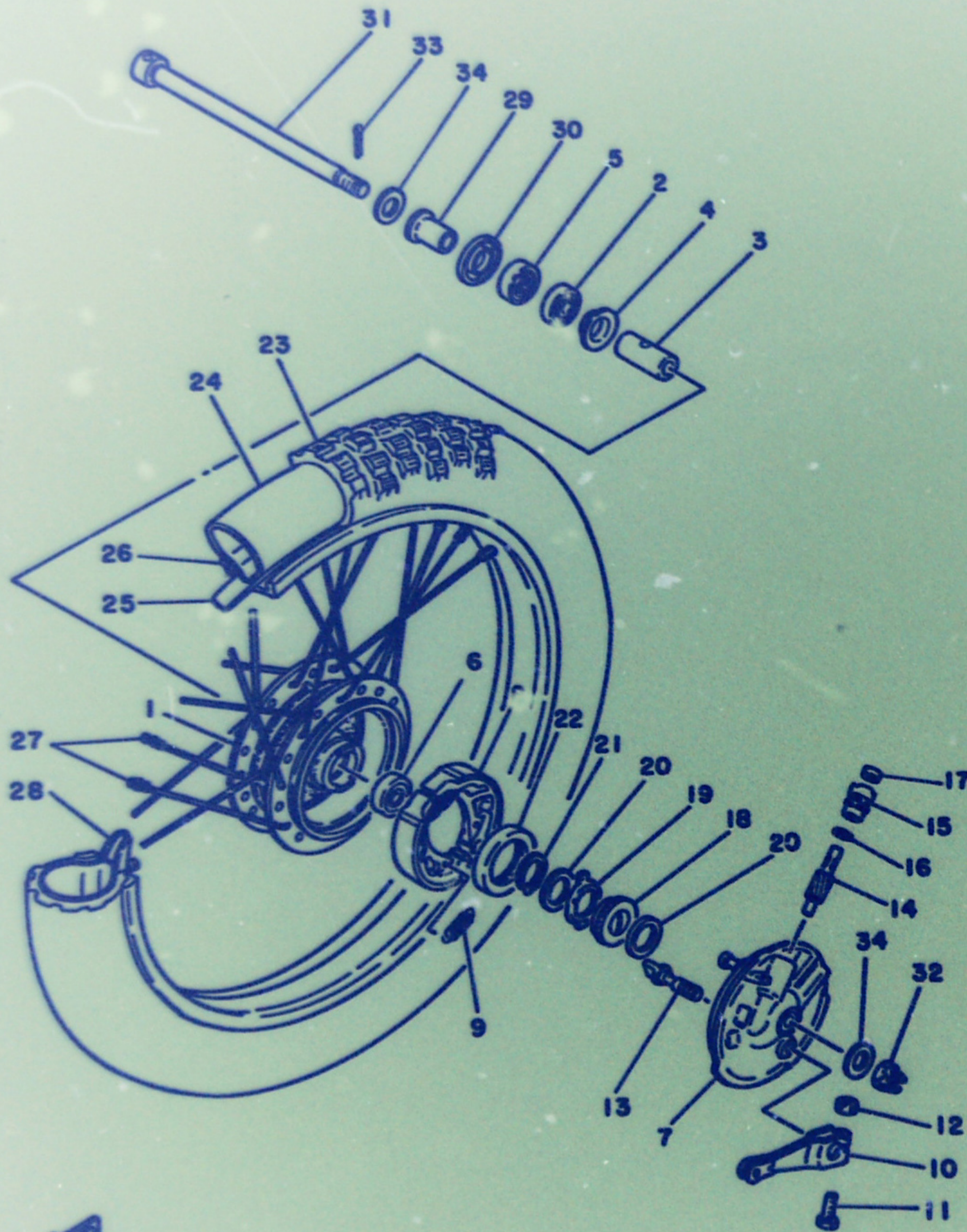


FIG. 22 SEAT-CARRIER

| REF. NO. | PART NO. | DESCRIPTION | Q'TY | REMARKS |
|----------|--------------|-------------------------|------|---------|
| 1 | 3R2-W2473-00 | SEMI-DOUBLE SEAT ASSY | 1 | |
| 2 | 3R2-24771-00 | COVER, semi-double seat | 1 | |
| 3 | 2K5-24715-00 | STAY, front | 1 | |
| 4 | 2K5-24716-00 | STAY, rear | 1 | |
| 5 | 2K5-24719-00 | STAY, rear | 1 | |
| 6 | 509-24724-00 | DAMPER, seat | 6 | |
| 7 | 90101-06304 | BOLT | 6 | |
| 8 | 97301-06016 | BOLT | 2 | |
| 9 | 92501-06100 | WASHER, sPrinG | 2 | |
| 10 | 92901-06600 | WASHER, Plate | 2 | |
| 11 | 4V5-24850-00 | CARRIER BOX ASSY | 1 | |
| 12 | 3W1-24832-00 | BRACKET, carrier 1 | 1 | |
| 13 | 4V5-24833-00 | BRACKET, carrier 2 | 1 | |
| 14 | 97301-06014 | BOLT | 2 | |
| 15 | 92901-06100 | WASHER, sPrinG | 2 | |
| 16 | 92502-06016 | SCREW, Pan head | 3 | |
| 17 | 92902-06100 | WASHER, sPrinG | 3 | |
| 18 | 90201-06067 | WASHER, Plate | 3 | |
| 19 | 3W1-24819-00 | STAY, rear | 1 | |
| 20 | 3R9-28100-10 | TOOL KIT | 1 | |
| 21 | 3R9-28136-00 | SPANNER, sPecial | 1 | |
| 22 | 93210-98202 | O-RING | 1 | |

FIG. 23 FRONT WHEEL

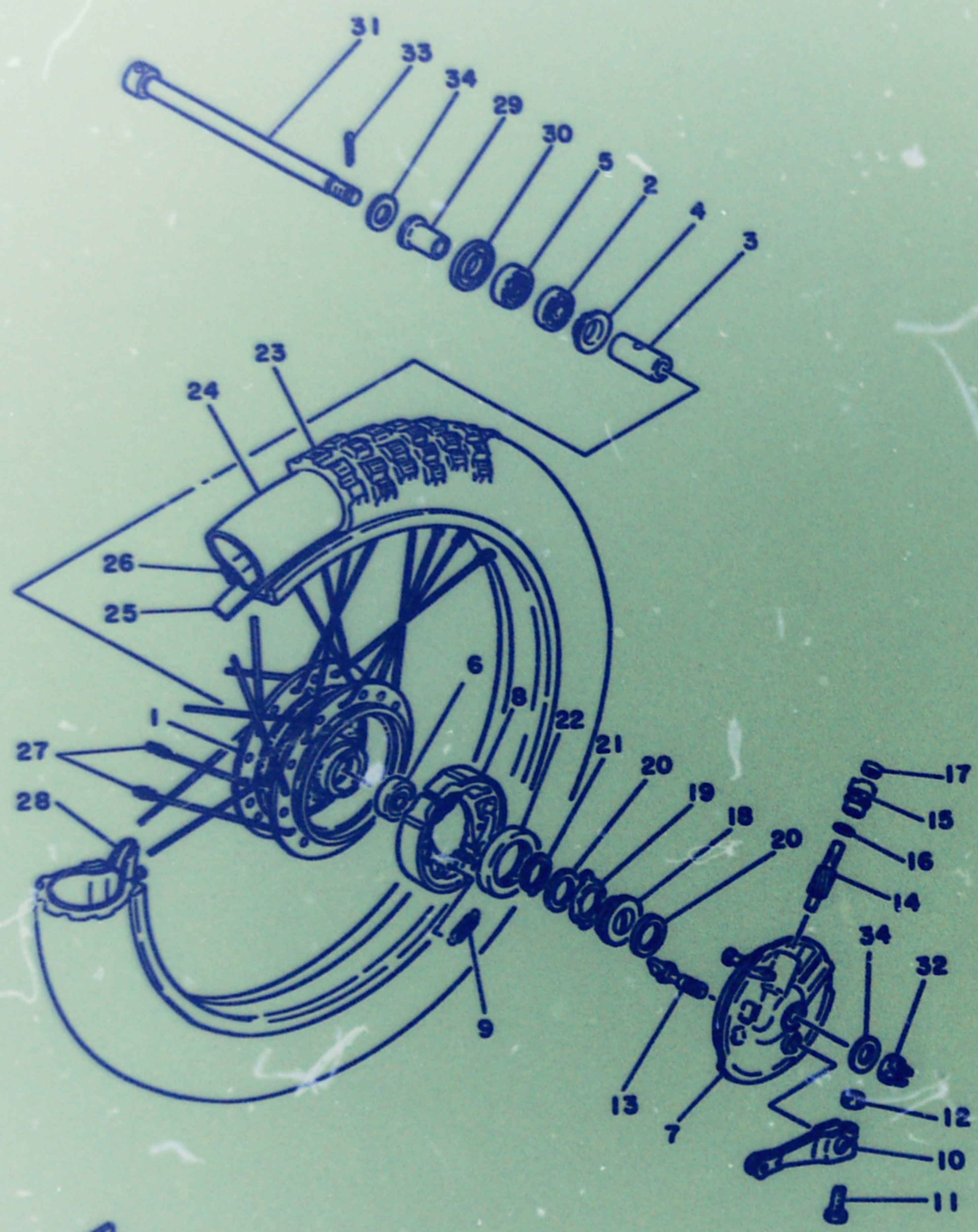
| REF. NO. | PART NO. | DESCRIPTION | Q'TY | REMARKS |
|----------|-----------------|---------------------|------|-----------------|
| 1 | 248-25111-00-98 | HUB, iron | 1 | low Gloss black |
| 2 | 93306-30102 | BEARING (B6301) | 1 | |
| 3 | 90560-12138 | SPACER | 1 | |
| 4 | 109-25315-00 | FLANGE, sPacer | 1 | |
| 5 | 93102-18008 | OIL SEAL | 1 | |
| 6 | 93306-30103 | BEARING (B6301Z) | 1 | |
| 7 | 3R9-25121-00-98 | PLATE, brake shoe | 1 | low Gloss black |
| 8 | 437-25130-00 | BRAKE SHOE COMP. | 2 | |
| 9 | 90506-16150 | SPRING, tension | 2 | |
| 10 | 401-25155-11 | LEVER, camshaft 1 | 1 | |
| 11 | 90101-06278 | BOLT | 1 | |
| 12 | 95301-06600 | NUT | 1 | |
| 13 | 122-25351-02 | CAMSHAFT | 1 | |
| 14 | 3R9-25138-00 | GEAR, meter | 1 | |
| 15 | 109-25136-00 | BUSH | 1 | |
| 16 | 90201-07076 | WASHER, Plate | 1 | |
| 17 | 93104-07003 | OIL SEAL | 1 | |
| 18 | 3R9-25135-00 | GEAR, drive | 1 | |
| 19 | 183-25149-00 | CLUTCH, meter | 1 | |
| 20 | 90201-20269 | WASHER, Plate | 2 | |
| 21 | 93410-20009 | CIRCL P | 1 | |
| 22 | 93105-47007 | OIL SEA | 1 | |
| 23 | 94130-21554 | TIRE (3.00-21) | 1 | |
| 24 | 94227-21123 | TUBE (2.75-21) | 1 | bs |
| 25 | 94330-21084 | BAND, rim (3.00-21) | 1 | bs |
| 26 | 94416-21265 | RIM (1.60-21) | 1 | |
| 27 | 345-25104-01 | SPOKE SET, front | 1 | |
| 28 | 1T1-25194-00 | SPACER, bead | 1 | |



C14

FIG. 23 FRONT WHEEL

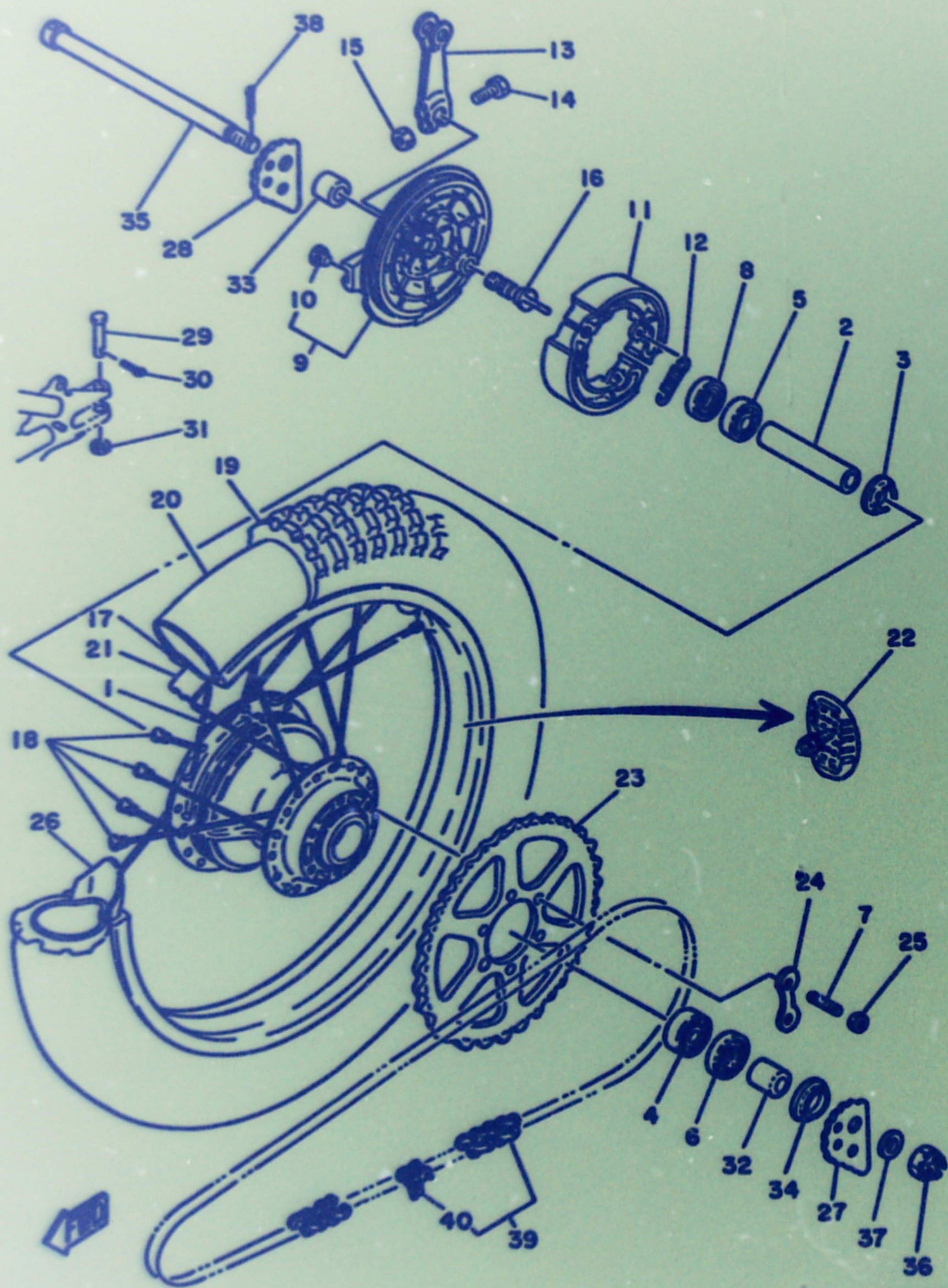
| REF. NO. | PART NO. | DESCRIPTION | Q'TY | REMARKS |
|----------|--------------|---------------------------------------|------|---------|
| 29 | 90387-12260 | COLLAR | 1 | |
| 30 | 2K5-25118-00 | COVER, hub dust | 1 | |
| 31 | 353-25381-00 | AXLE, wheel | 1 | |
| 32 | 90171-10004 | NUT, castle </td <td>1</td> <td></td> | 1 | |
| 33 | 91401-20020 | PIN, cotter | 1 | |
| 34 | 90201-12174 | WASHER, Plate | 2 | |



C15

FIG. 24 REAR WHEEL

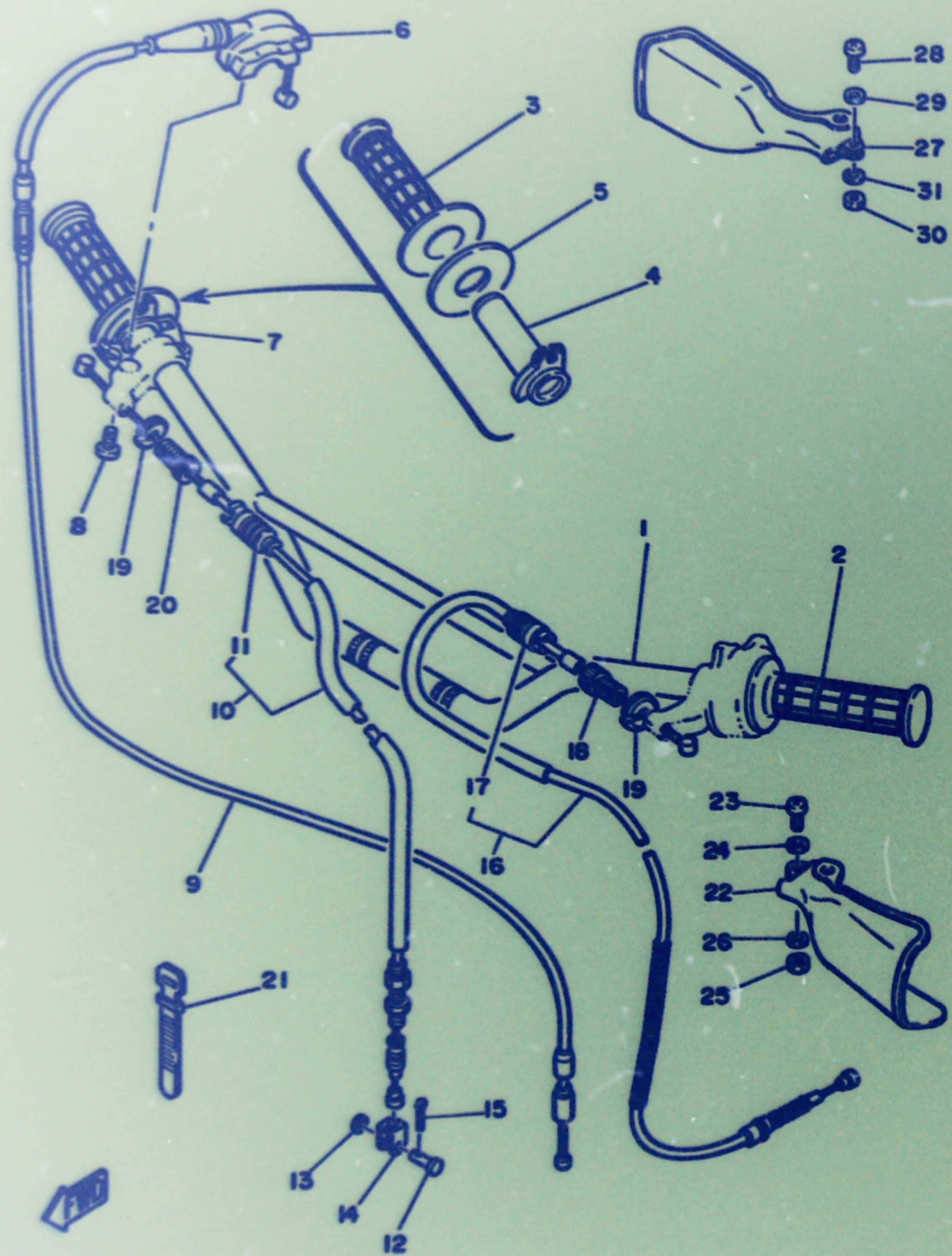
| REF. NO. | PART NO. | DESCRIPTION | Q'TY | REMARKS |
|----------|--------------|------------------------------|------|---------|
| 27 | 1W2-25388-01 | PULLER, chain 1 | 1 | |
| 28 | 1W2-25389-01 | PULLER, chain 2 | 1 | |
| 29 | 91701-06042 | PIN, clevis | 2 | |
| 30 | 91401-20012 | PIN, cotter | 2 | |
| 31 | 92901-06600 | WASHER, Plate | 2 | |
| 32 | 90387-15524 | COLLAR | 1 | |
| 33 | 90387-15524 | COLLAR | 1 | |
| 34 | 401-25367-00 | COVER, hub dust | 1 | |
| 35 | 2A6-25331-00 | AXLE, wheel | 1 | |
| 36 | 90171-14020 | NUT, castle | 1 | |
| 37 | 90201-15238 | WASHER, Plate | 1 | |
| 38 | 91401-30030 | PIN, cotter | 1 | |
| 39 | 94585-20100 | CHAIN, drive (DID520DS 100L) | 1 | |
| 40 | 94685-20001 | JOINT, chain | 1 | |



D3

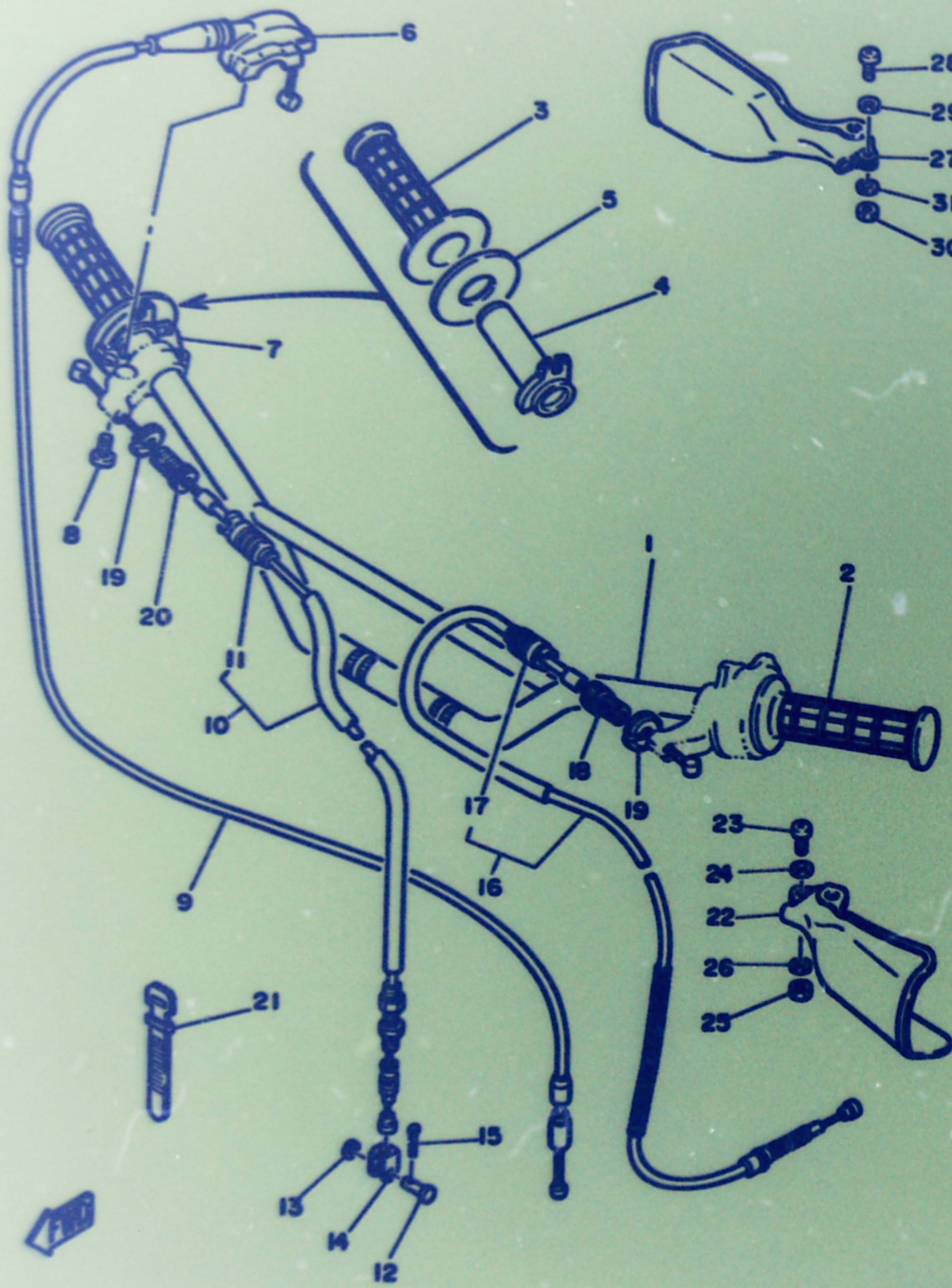
FIG. 25 HANDLEBAR-CABLE

| REF. NO. | PART NO. | DESCRIPTION | Q'TY | REMARKS |
|----------|-----------------|----------------------|------|-----------------|
| 1 | 3R9-26111-00 | HANDLEBAR | 1 | |
| 2 | 4V4-26241-00 | GRIP (L.H) | 1 | |
| 3 | 3R9-26242-00 | GRIP (R.H) | 1 | |
| 4 | 322-26243-00 | TUBE, throttle Guide | 1 | |
| 5 | 1W1-26249-00 | RING, leaf | 1 | |
| 6 | 322-26281-00-98 | CAP, Grip upper | 1 | low Gloss black |
| 7 | 322-26282-00-98 | CAP, Grip lower | 1 | low Gloss black |
| 8 | 98503-05015 | SCREW, Pan head | 2 | |
| 9 | 2K5-26311-02 | CABLE, throttle 1 | 1 | |
| 10 | 3R9-26341-00 | CABLE, brake | 1 | |
| 11 | 1E6-26342-00 | .BOOT, cable | 1 | |
| 12 | 90240-08012 | PIN, clevis | 1 | |
| 13 | 90201-08083 | WASHER, Plate | 1 | |
| 14 | 156-26347-00 | JOINT, cable | 1 | |
| 15 | 91401-20012 | PIN, cotter | 1 | |
| 16 | 3R9-26335-10 | CABLE, clutch | 1 | |
| 17 | 1E6-26342-00 | .BOOT, cable | 1 | |
| 18 | 90123-08046 | BOLT | 1 | |
| 19 | 90179-08148 | NUT | 2 | |
| 20 | 90123-08046 | BOLT | 1 | |
| 21 | 437-83936-10 | BAND, switch cord | 1 | |
| 22 | 3R9-26141-00 | GUARD, brush 1 | 1 | sky blue |
| 23 | 92501-06015 | SCREW, Pan head | 1 | |
| 24 | 92901-06600 | WASHER, Plate | 1 | |
| 25 | 95301-06700 | NUT | 1 | |
| 26 | 92901-06200 | WASHER, Plain | 1 | |
| 27 | 3R9-26142-00 | GUARD, brush 2 | 1 | sky blue |
| 28 | 92501-06015 | SCREW, Pan head | 1 | |



D4

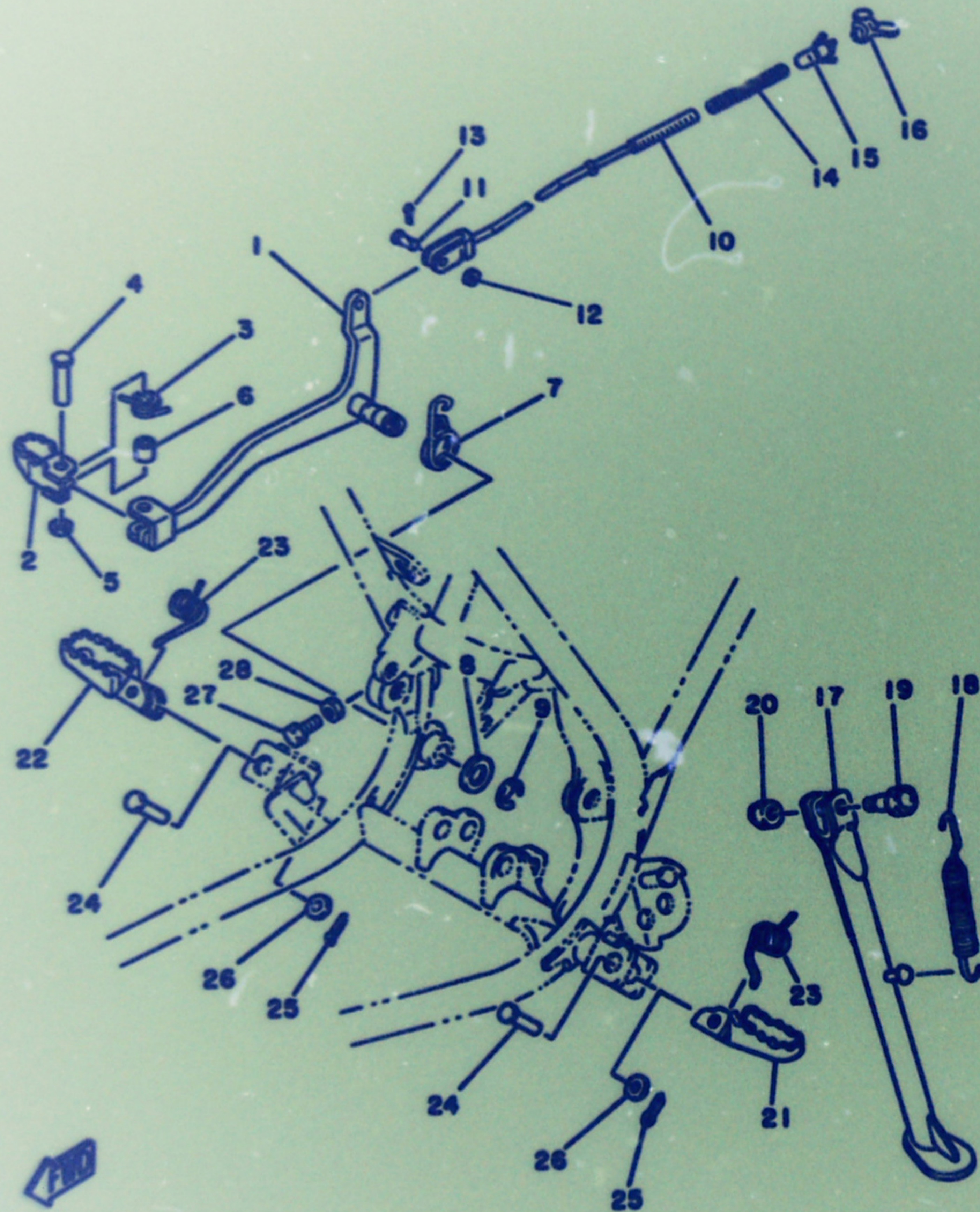
FIG. 25 HANDLEBAR-CABLE



| REF. NO. | PART NO. | DESCRIPTION | Q'TY | REMARKS |
|----------|-------------|---------------|------|---------|
| 29 | 92901-06600 | WASHER, Plate | 1 | |
| 30 | 95301-06700 | NUT | 1 | |
| 31 | 92901-06200 | WASHER, Plain | 1 | |

D5

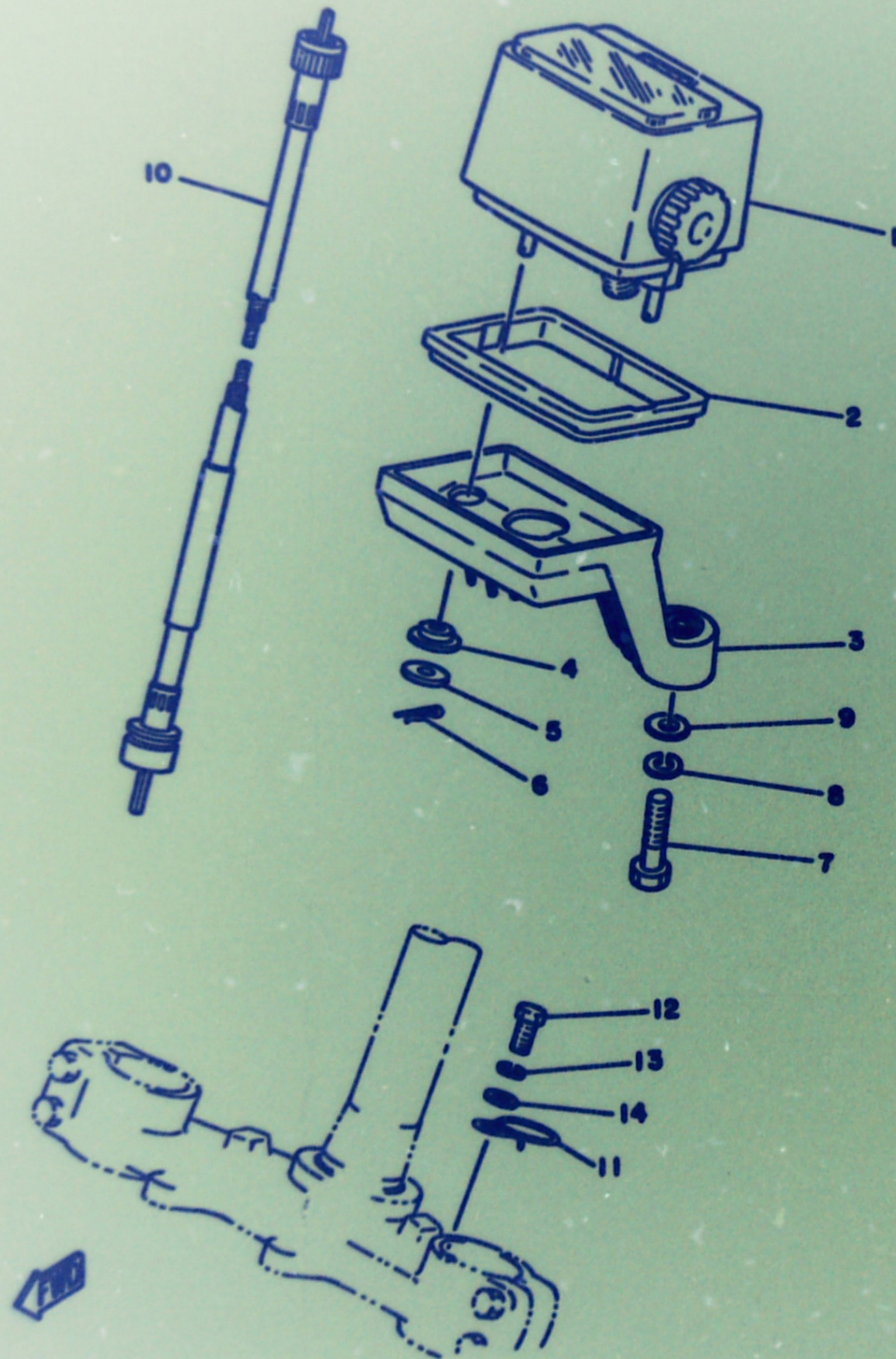
FIG. 26 STAND-FOOTREST



| REF. NO. | PART NO. | DESCRIPTION | Q'TY | REMARKS |
|----------|-----------------|---------------------|------|--------------|
| 1 | 3R9-27211-00 | PEDAL, brake | 1 | |
| 2 | 3R9-27242-00 | PEDAL, brake | 1 | |
| 3 | 90508-20414 | SPRING, torsion | 1 | |
| 4 | 91701-08032 | PIN, clevis | 1 | |
| 5 | 92901-08600 | WASHER, Plate | 1 | |
| 6 | 90387-08762 | COLLAR | 1 | |
| 7 | 90508-32354 | SPRING, torsion | 1 | |
| 8 | 90201-14212 | WASHER, Plate | 1 | |
| 9 | 93430-10015 | CIRCLIP | 1 | |
| 10 | 2K5-27231-00 | ROD, brake | 1 | |
| 11 | 90240-06006 | PIN, clevis | 1 | |
| 12 | 92901-06200 | WASHER, Plain | 1 | |
| 13 | 91401-25012 | PIN, cotter | 1 | |
| 14 | 90501-10245 | SPRING, compression | 1 | |
| 15 | 90249-12008 | PIN | 1 | |
| 16 | 90175-06013 | NUT, wing | 1 | |
| 17 | 3R9-27311-00-33 | STAND, side | 1 | yamaha black |
| 18 | 90507-29008 | SPRING, tension | 1 | |
| 19 | 90109-10473 | BOLT | 1 | |
| 20 | 90185-10037 | NUT, self-locking | 1 | |
| 21 | 3R4-27411-00 | FOOTREST 1 | 1 | |
| 22 | 3R4-27421-00 | FOOTREST 2 | 1 | |
| 23 | 90508-20023 | SPRING, torsion | 2 | |
| 24 | 91702-08040 | PIN, clevis | 2 | |
| 25 | 91401-25012 | PIN, cotter | 2 | |
| 26 | 92901-08600 | WASHER, Plate | 2 | |
| 27 | 97301-06020 | BOLT | 1 | |
| 28 | 95301-06700 | NUT | 1 | |

D6

FIG. 27 SPEEDOMETER



| REF. NO. | PART NO. | DESCRIPTION | Q'TY | REMARKS |
|----------|--------------|------------------------|------|-----------|
| 1 | 3R8-83570-60 | SPEEDOMETER ASSY | 1 | UR mile/h |
| | 3R8-83570-F0 | SPEEDOMETER ASSY | 1 | UR km/h |
| 2 | 3R8-83513-00 | DAMPER | 1 | |
| 3 | 3R8-83519-00 | BRACKET, meter | 1 | |
| 4 | 1M1-83526-00 | DAMPER 2 | 2 | |
| 5 | 1E6-83524-60 | WASHER, sPecial | 2 | |
| 6 | 90468-12007 | CLIP | 2 | |
| 7 | 97321-06030 | BOLT | 2 | |
| 8 | 92901-06100 | WASHER, sPrinG | 2 | |
| 9 | 92901-06600 | WASHER, Plate | 2 | |
| 10 | 3R9-83550-50 | SPEEDOMETER CABLE ASSY | 1 | |
| 11 | 2A6-83595-00 | CLAMP | 1 | |
| 12 | 97301-06012 | BOLT | 1 | |
| 13 | 92901-06100 | WASHER, sPrinG | 1 | |
| 14 | 92901-06600 | WASHER, Plate | 1 | |

D7

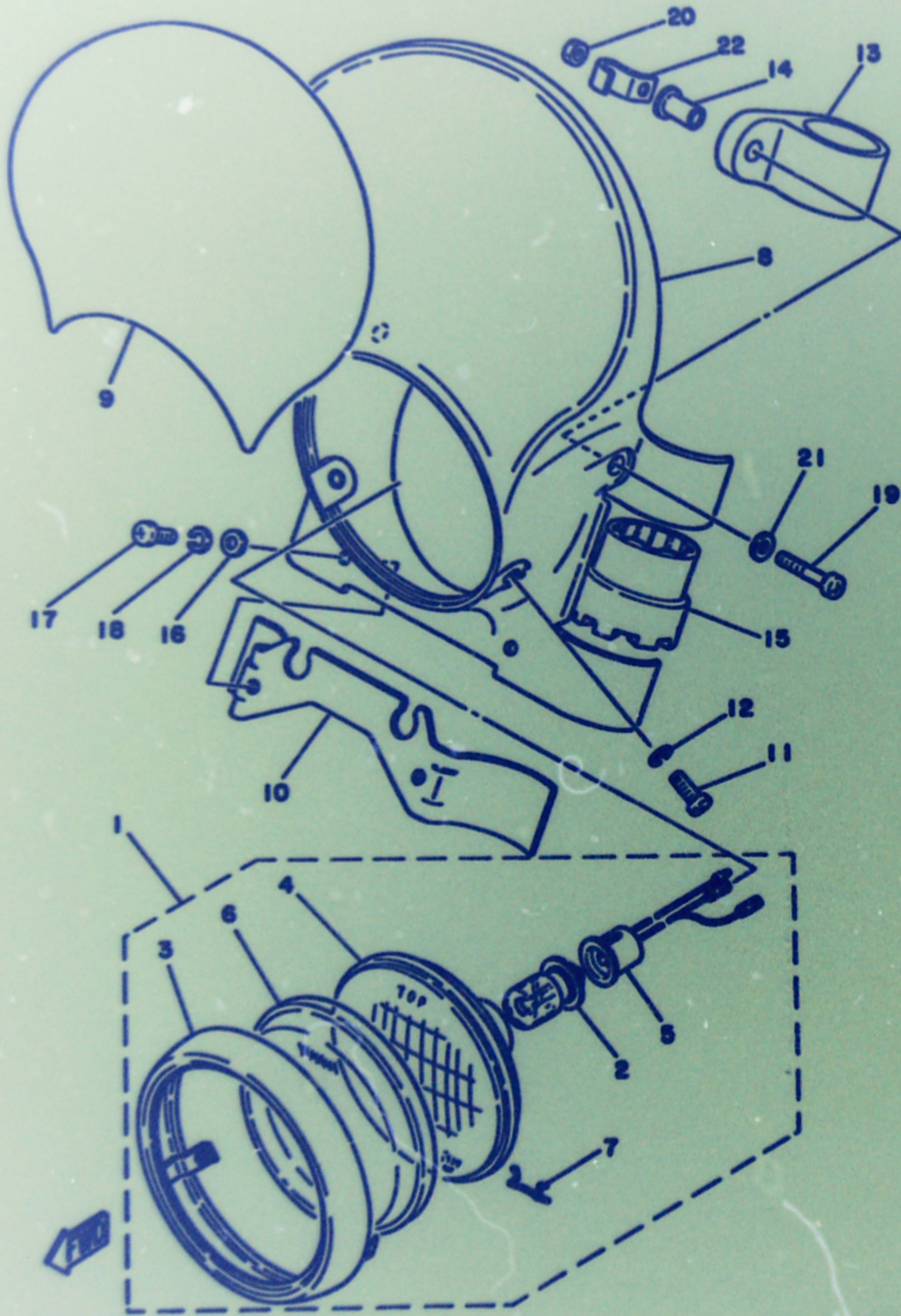


FIG. 28 HEADLIGHT

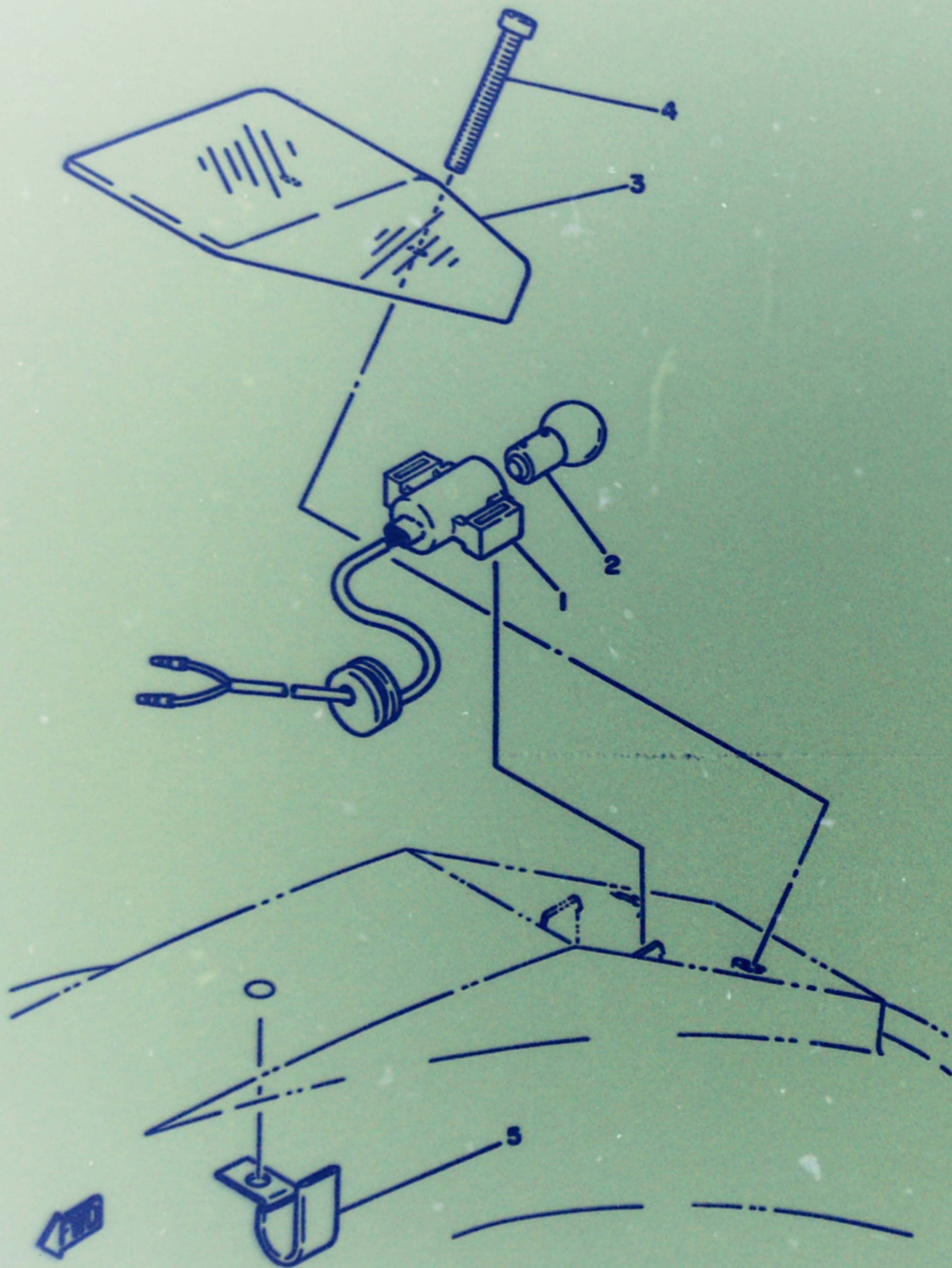
UK IT OWNERS FACEBOOK PAGE

| REF. NO. | PART NO. | DESCRIPTION | Q'TY | REMARKS |
|----------|--------------|-----------------------|------|----------|
| 1 | 3R8-84110-61 | HEADLIGHT UNIT ASSY | 1 | |
| 2 | 527-84114-09 | •BULB (6V-25/25W) | 1 | |
| 3 | 3R8-84115-60 | •RIM, headlight | 1 | |
| 4 | 3R8-84120-60 | •LENS ASSY | 1 | |
| 5 | 3R8-84140-61 | •SOCKET CORD ASSY | 1 | |
| 6 | 3R8-84144-60 | •COVER, headlight | 1 | |
| 7 | 1W2-84324-60 | •SPRING, lens fitting | 4 | |
| 8 | 3R9-84130-00 | BODY ASSY, headlight | 1 | sky blue |
| 9 | 3R8-84141-01 | EMBLEM, headlight | 1 | |
| 10 | 3R9-84181-00 | BRACKET, lower 1 | 1 | |
| 11 | 98501-05016 | SCREW, Pan head | 2 | |
| 12 | 92901-05100 | WASHER, sPrinG | 2 | |
| 13 | 3R9-84163-10 | DAMPER | 2 | |
| 14 | 3R8-84133-00 | COLLAR, screw | 2 | |
| 15 | 3R9-84164-10 | DAMPER | 2 | |
| 16 | 90201-06571 | WASHER, Plate | 2 | |
| 17 | 92501-06012 | SCREW, Pan head | 2 | |
| 18 | 92901-06100 | WASHER, sPrinG | 2 | |
| 19 | 92501-06030 | SCREW, Pan head | 2 | |
| 20 | 90185-06062 | NUT, self-lockinG | 2 | |
| 21 | 90201-06407 | WASHER, Plate | 2 | |
| 22 | 90462-05005 | CLAMP | 1 | |

D8

FIG. 29 TAILLIGHT

| REF. NO. | PART NO. | DESCRIPTION | Q'TY | REMARKS |
|----------|--------------|-------------------------|------|---------|
| 1 | 3R9-84536-00 | SOCKET CORD ASSY | 1 | |
| 2 | 3R9-84514-00 | BULB, tail lamp (6V-5W) | 1 | |
| 3 | 3R9-84521-00 | LENS, taillight | 1 | |
| 4 | 98501-04035 | SCREW, Pan head | 2 | |
| 5 | 90462-05005 | CLAMP | 1 | |

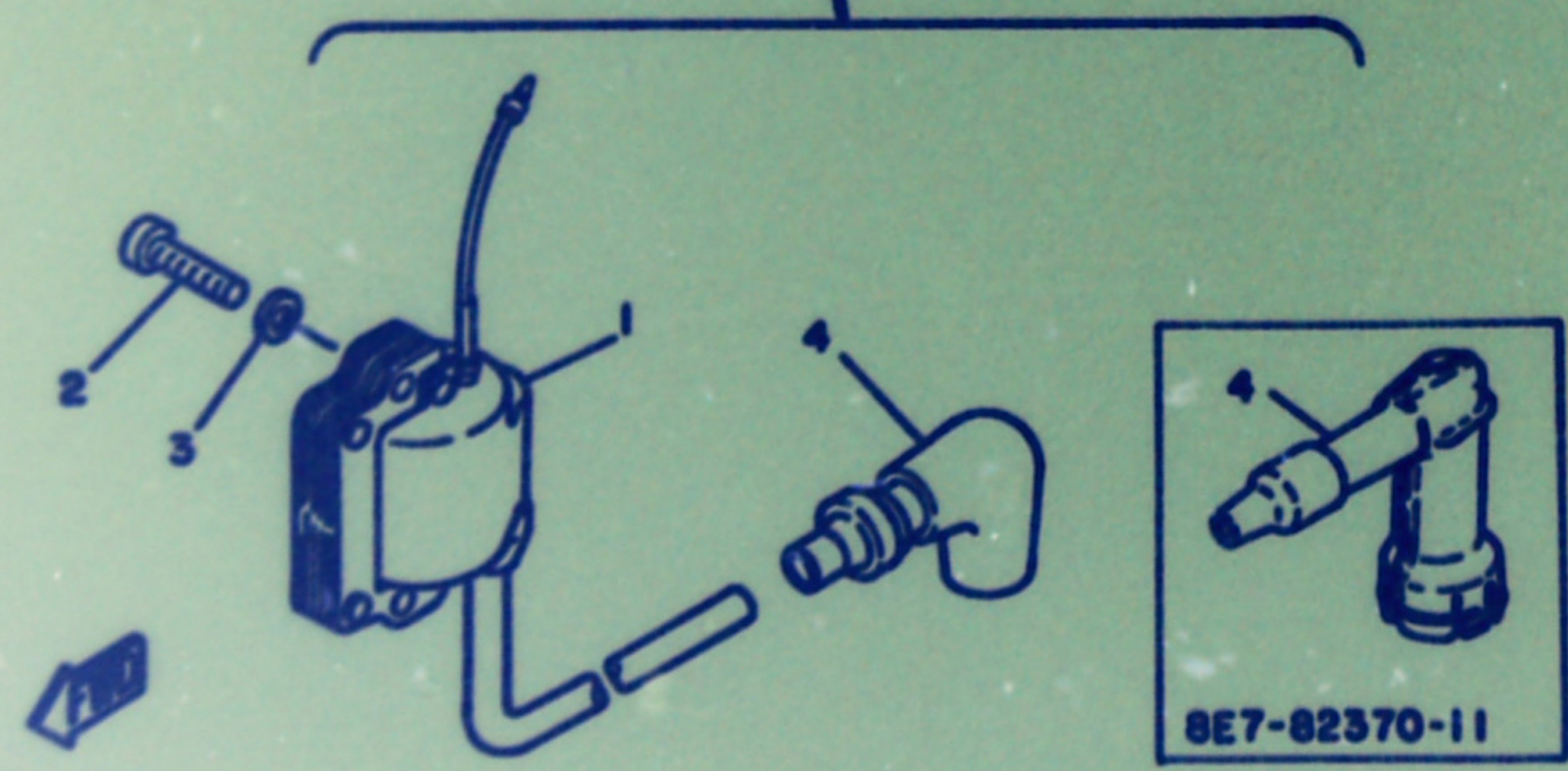
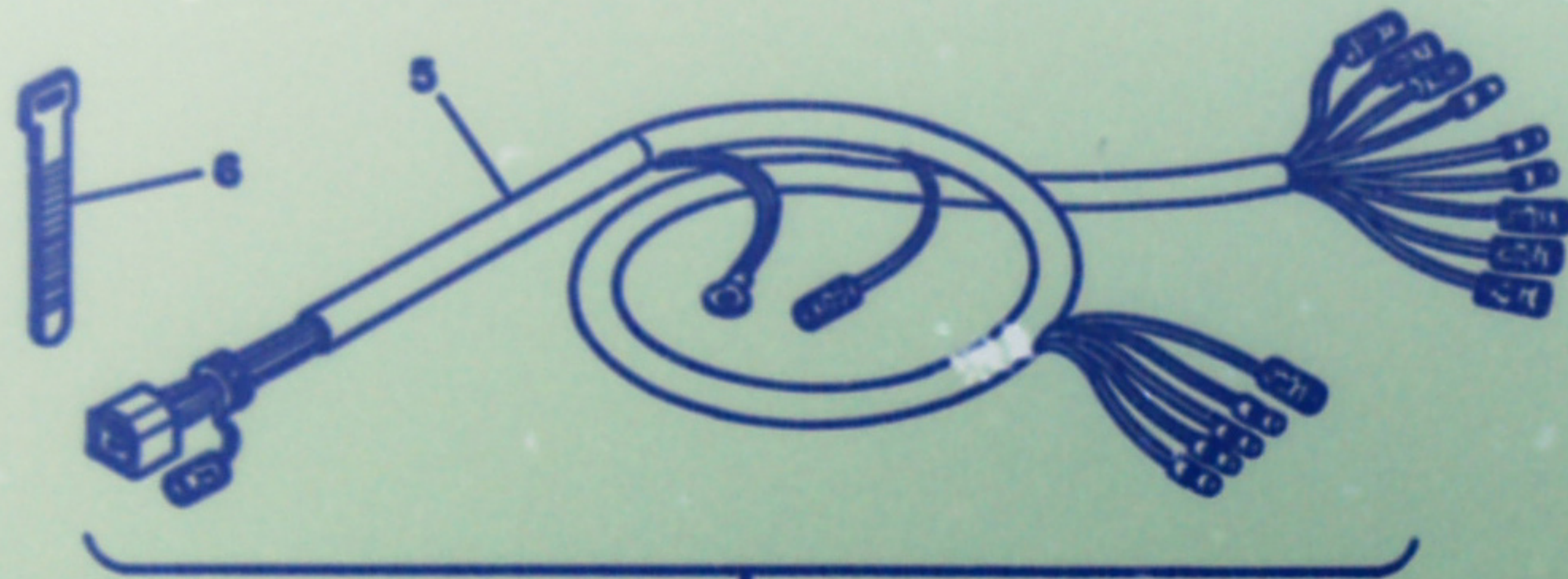


D9

FIG. 30 ELECTRICAL 1

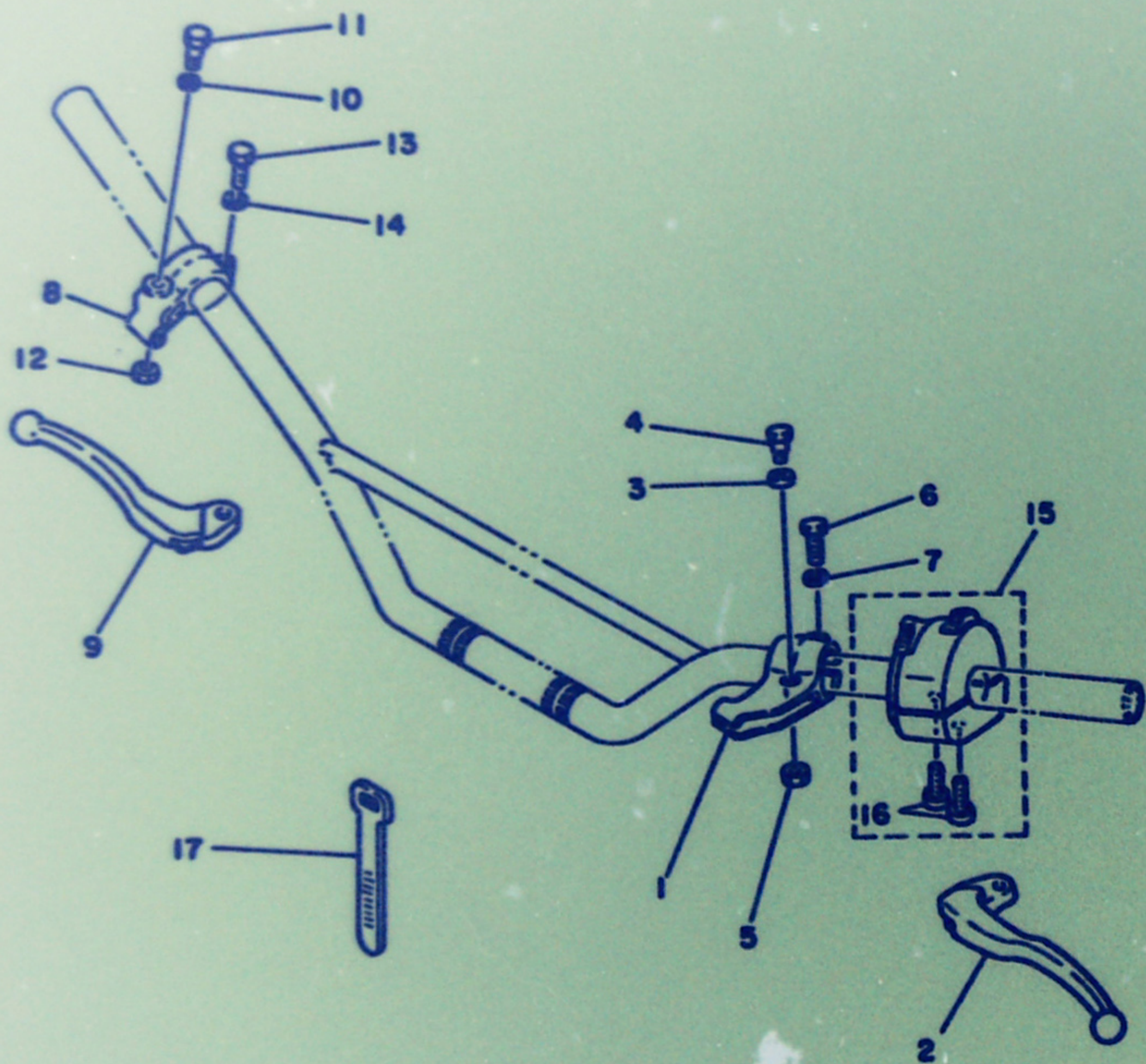
DAVE R

| REF. NO. | PART NO. | DESCRIPTION | Q'TY | REMARKS |
|----------|--------------|--------------------|------|--------------------------|
| 1 | 1M2-82310-40 | IGNITION COIL ASSY | 1 | |
| 2 | 92501-06025 | SCREW, Pan head | 2 | |
| 3 | 92901-06100 | WASHER, sPrinE | 2 | |
| 4 | 3R0-82370-20 | PLUG CAP ASSY | 1 | UR |
| | 8E7-82370-11 | PLUG CAP ASSY | 1 | UR with noise suppressor |
| 5 | 3R9-82590-01 | WIRE HARNESS ASSY | 1 | |
| 6 | 437-83936-00 | BAND, switch cord | 4 | |



D10

FIG. 31 HANDLE SWITCH-LEVER



| REF. NO. | PART NO. | DESCRIPTION | Q'TY | REMARKS |
|----------|--------------|-------------------|------|---------|
| 1 | 461-82911-00 | HOLDER, lever 1 | 1 | |
| 2 | 3M2-83912-30 | LEVER 1 | 1 | |
| 3 | 90201-08083 | WASHER, Plate | 1 | |
| 4 | 90109-06410 | BOLT | 1 | |
| 5 | 95601-06100 | NUT, u | 1 | |
| 6 | 97301-06022 | BOLT | 1 | |
| 7 | 92901-06100 | WASHER, sPrinE | 1 | |
| 8 | 516-82921-30 | HOLDER, lever 2 | 1 | |
| 9 | 3M2-83922-00 | LEVER 2 | 1 | |
| 10 | 90201-08083 | WASHER, Plate | 1 | |
| 11 | 90109-06410 | BOLT | 1 | |
| 12 | 95601-06100 | NUT, u | 1 | |
| 13 | 97301-06022 | BOLT | 1 | |
| 14 | 92901-06100 | WASHER, sPrinE | 1 | |
| 15 | 3R8-83973-00 | SWITCH, handle 3 | 1 | |
| 16 | 98506-05022 | •SCREW, Pan head | 2 | |
| 17 | 437-83936-00 | BAND, switch cord | 2 | |

FIG. 32 REPAIR KIT

| REF. NO. | PART NO. | DESCRIPTION | Q'TY | REMARKS |
|----------|-----------------|----------------------------|------|---------|
| 1 | 3R9-11630-00 | PISTON ASSY (STD) | 1 | |
| 2 | 3R9-11631-00-96 | •PISTON (STD) | 1 | UR |
| | 3R9-11631-00-97 | •PISTON (STD) | 1 | UR |
| 3 | 3R9-11610-00 | •PISTON RING SET (STD) | 1 | |
| 4 | 137-11633-00 | •PIN, Piston | 1 | |
| 5 | 93450-17044 | •CIRCLIP | 2 | |
| 6 | 3R9-11630-10 | PISTON ASSY (1ST O/S) | 1 | |
| 7 | 3R9-11635-00 | •PISTON (1ST O/S 0.25MM) | 1 | |
| 8 | 3R9-11610-10 | •PISTON RING SET (1ST O/S) | 1 | |
| 9 | 137-11633-00 | •PIN, Piston | 1 | |
| 10 | 93450-17044 | •CIRCLIP | 2 | |
| 11 | 3R9-11630-20 | PISTON ASSY (2ND O/S) | 1 | |
| 12 | 3R9-11636-00 | •PISTON (2ND O/S 0.50MM) | 1 | |
| 13 | 3R9-11610-20 | •PISTON RING SET (2ND O/S) | 1 | |
| 14 | 137-11633-00 | •PIN, Piston | 1 | |
| 15 | 93450-17044 | •CIRCLIP | 2 | |
| 16 | 3R9-11630-30 | PISTON ASSY (3RD O/S) | 1 | |
| 17 | 3R9-11637-00 | •PISTON (3RD O/S 0.75MM) | 1 | |
| 18 | 3R9-11610-30 | •PISTON RING SET (3RD O/S) | 1 | |
| 19 | 137-11633-00 | •PIN, Piston | 1 | |
| 20 | 93450-17044 | •CIRCLIP | 2 | |
| 21 | 3R9-11630-40 | PISTON ASSY (4TH O/S) | 1 | |
| 22 | 3R9-11638-00 | •PISTON (4TH O/S 1.00MM) | 1 | |
| 23 | 3R9-11610-40 | •PISTON RING SET (4TH O/S) | 1 | |
| 24 | 137-11633-00 | •PIN, Piston | 1 | |
| 25 | 93450-17044 | •CIRCLIP | 2 | |
| 26 | 3M5-11650-00 | CONNECTING ROD ASSY | 1 | |
| 27 | 1G8-11651-00 | •ROD, connecting | 1 | |

D12

FIG. 32 REPAIR KIT

| REF. NO. | PART NO. | DESCRIPTION | Q'TY | REMARKS |
|----------|--------------|--------------------------|------|---------|
| 28 | 3M5-11681-00 | •PIN, crank 1 | 1 | |
| 29 | 93310-422G3 | •BEARING, cylindrical | 1 | |
| 30 | 90209-22071 | •WASHER | 2 | |
| 31 | 93310-210A3 | •BEARING, cylindrical | 1 | |
| 32 | 3R9-W0001-00 | GASKET KIT | 1 | |
| 33 | 2X3-11181-00 | •GASKET, cylinder head 1 | 1 | |
| 34 | 1W1-11351-00 | •GASKET, cylinder | 1 | |
| 35 | 93210-18023 | •O-RING | 1 | |
| 36 | 537-14184-00 | •GASKET, float chamber | 1 | |
| 37 | 311-13621-01 | •GASKET, valve seat | 1 | |
| 38 | 3R3-14613-00 | •GASKET, exhaust Pipe | 1 | |
| 39 | 93210-11073 | •O-RING | 2 | |
| 40 | 90430-12038 | •GASKET | 1 | |
| 41 | 1W1-15455-00 | •GASKET, crankcase cover | 1 | |
| 42 | 1W1-15451-00 | •GASKET, crankcase cover | 1 | |
| 43 | 90430-06016 | •GASKET | 1 | |
| 44 | 93210-14104 | •O-RING | 1 | |
| 45 | 90430-08069 | •GASKET | 1 | |
| 46 | 3R9-W0003-00 | OIL SEAL KIT | 1 | |
| 47 | 93102-25144 | •OIL SEAL | 1 | |
| 48 | 93103-28100 | •OIL SEAL | 1 | |
| 49 | 93101-17062 | •OIL SEAL | 1 | |
| 50 | 93104-14004 | •OIL SEAL | 1 | |
| 51 | 93102-26042 | •OIL SEAL | 1 | |

D13