

KAL-GARD ENGINE LUBRICANTS & COATINGS.

WE THINK YOUR ENGINE IS WORTH IT.

Kal-Gard engine lubricants and coatings are the result of extensive research and testing and years of experience in aerospace lubrication (we provide lubrication for millions of aircraft parts every month).

Kal-Gard 2 is a high-technology two-stroke lubricant that combines the best of petroleum synthetic oils in one package. It reduces smoking and carbon formation while greatly extending engine life.

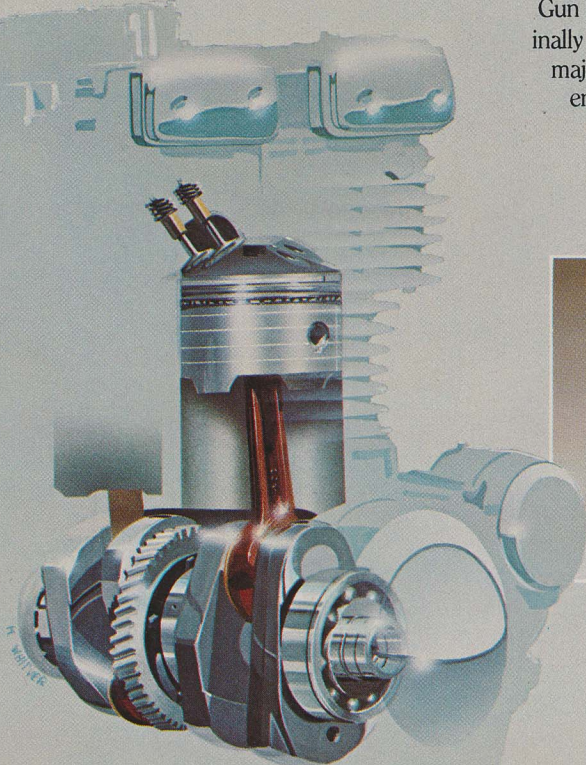
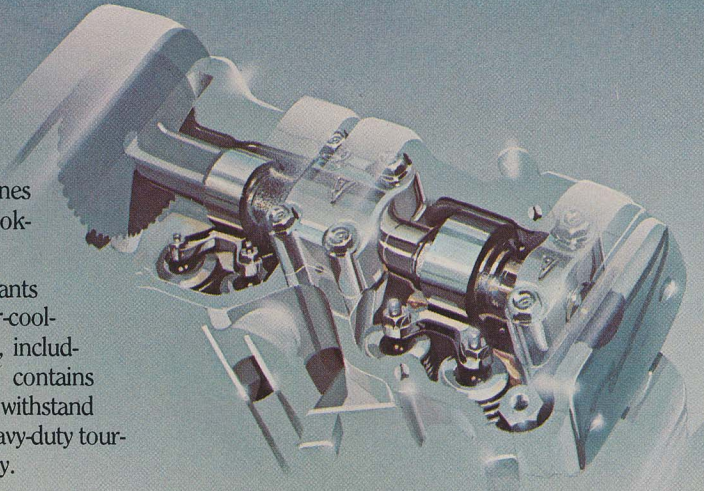
Kal-Gard 4 and 4-PLUS are four-stroke high temperature lubricants that are specially formulated for use in motorcycle engines with air-cooling or wet clutches. Both meet the very highest of SAE ratings, including those for turbocharged engines. Kal-Gard 4-PLUS also contains molybdenum disulfide (moly), a proven aerospace lube that will withstand 350,000 psi without breaking down. It is especially valuable for heavy-duty touring or competition, when "the ultimate in lubrication" is mandatory.

Engine Gard is our moly oil additive (not necessary if you use 4-PLUS). When added to your engine and transmission, it will reduce operating friction and temperature, greatly extend engine life and provide a modest increase in useable horsepower.

Piston Kote and Gear Kote are internal engine coatings that are designed to drastically reduce friction and wear on the treated parts. The engine must be disassembled to use these coatings, but the results are worth the effort. Major motorcycle racing teams around the world use these coatings exclusively. Piston Kote is blended for use on pistons only, while Gear Kote is great for all transmission parts, cams, valves, etc. It can be applied to steel, magnesium, titanium, or other alloys.

Gun Kote is our high performance heat-dissipating coating. Originally developed for the military, Gun Kote is now used by most major exhaust system companies for their black pipes, and most engine builders wouldn't think of racing an engine without it. It *really* works.

Kal-Gard is proud to manufacture "the ultimate in coating and lubricants" for your bike. We cost a little more but we *sure* your engine is worth it!



All Kal-Gard products are available by direct mail: Kal-Gard 2 pt. \$4.25; 4 qt. \$3.95; 4-Plus qt. \$4.95; Engine Gard \$7.95; Gun Kote aerosol \$5.85; Gun Kote, Gear Kote, Piston Kote pts. \$7.66 ea. Send check or M.O. plus \$2.00 freight & handling per item to Kal-Gard, 16616 Schoenborn St., Sepulveda, CA 91343.